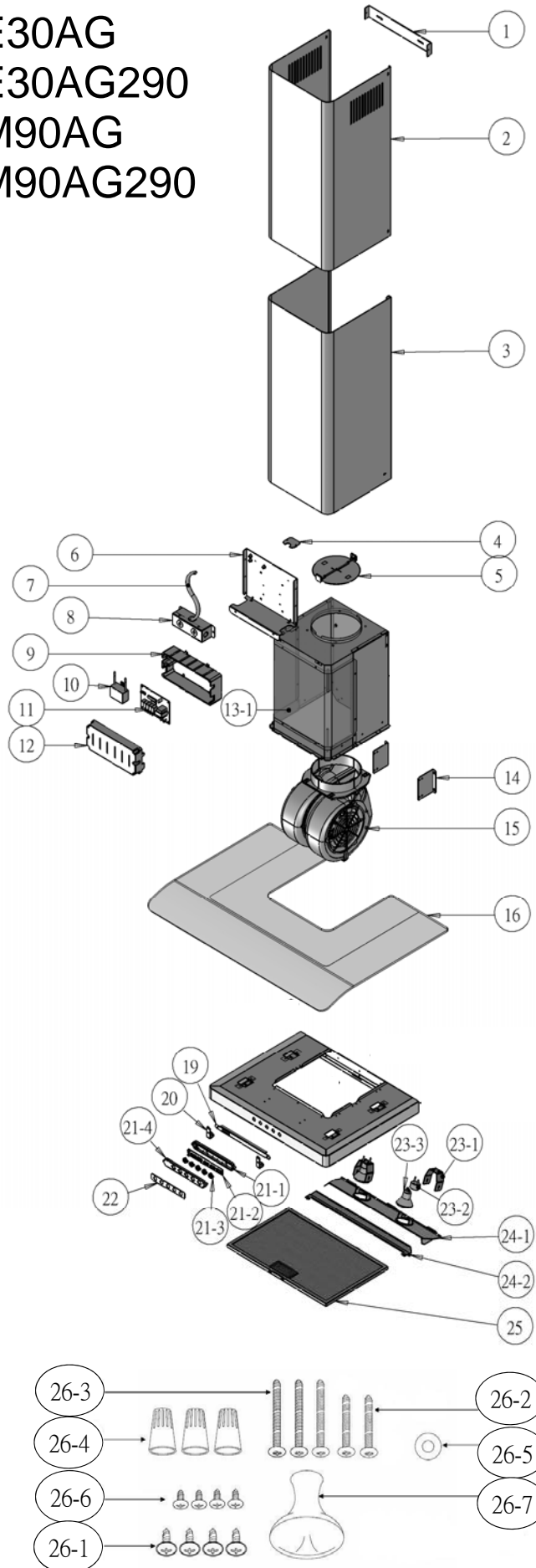


ZAG-E30AG  
 ZAG-E30AG290  
 ZAG-M90AG  
 ZAG-M90AG290



# ZEPHYR

# Angolo

## ZAG-E30AG/290, ZAG-M90AG/290

Ref #	Part #	Description	Qty.
1	54110050	Bracket, Duct Cover	1
2	50050099	Duct Cover, Upper	1
3	50050100	Duct Cover, Lower	1
4	54150012	Clip	1
5	54060004	Damper, 6" Round	1
6	54190026	Plate, Electrical	1
7	11030028	Wires, Electrical	1
8	50500085	Assembly, Electrical Box	1
9	56200051	Box, Component	1
10	12050015	Capacitor (600 CFM)	1
10	12050012	Capacitor (290 CFM)	1
11	11010046	Control Board	1
12	56210024	Cover, Component Box	1
13-1	56210052	Cover, Motor Housing	1
14	54140076	Bracket, Motor	2
15	12120043	Motor (600 CFM)	1
15	12120053	Motor (290 CFM)	1
16	50300093	Canopy (30")	1
16	50300092	Canopy (36")	1
19	54190027	Plate, Switch	1
20	54140092	Bracket, Switch	2
21	11000070	Switch Assembly	1
21-1	56200073	Housing, Switch	1
21-2	11010048	Switch Board	1
21-3	52170044	Button Cover (Speed 1)	1
21-3	52170045	Button Cover (Speed 2)	1
21-3	52170046	Button Cover (Speed 3)	1
21-3	52170047	Button Cover (Lights)	1
21-3	52170048	Button Cover (Power)	1
21-3	50400013	Button, Switch	5
21-4	52170049	Cover, Switch	1

22	56240016	Spacer, Switch	1
23-1	54140050	Bracket, Light Socket	2
23-2	12100027	Light Socket, GU-10	2
23-3	Z0B-0020	Bulb, Halogen, GU-10, 50W	2
24	50110093	Panel, Light	1
25	50200040	Filter, Aluminum Mesh	1
26	05000059	Hardware Packet	1
26-1	01020011	Screw, 3/16 x 1/4	4
26-2	01090001	Screw, M6 x 1"	2
26-3	01090002	Screw, M6 x 1 1/2"	3
26-4	15000002	Wire Nut	3
26-5	02170001	Washer	1
26-6	01060004	Screw, M3 x 8mm	4
26-7	15000004	Suction Cup	1

AUG11.0101