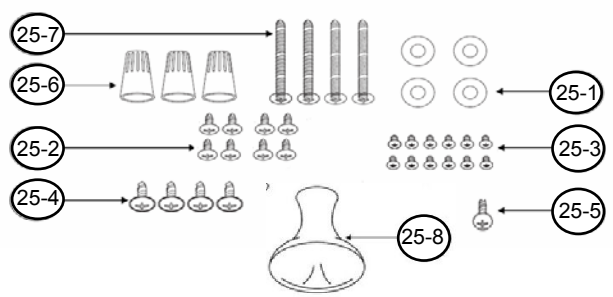
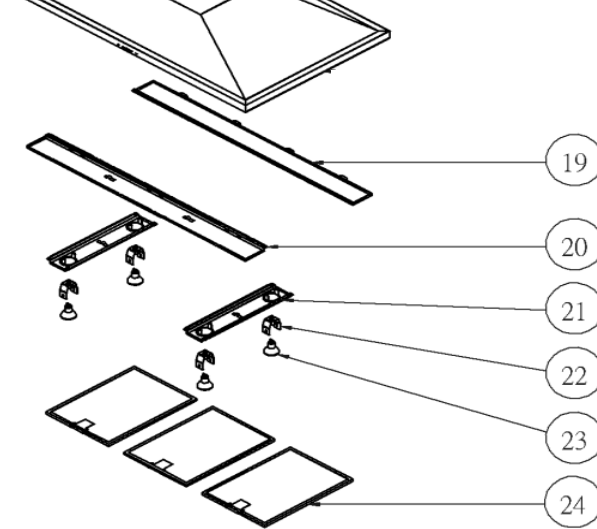
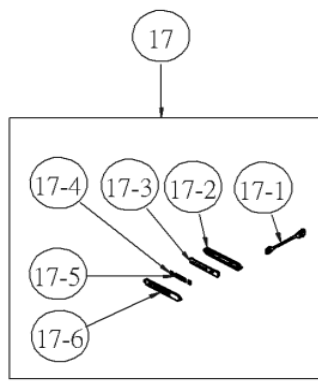
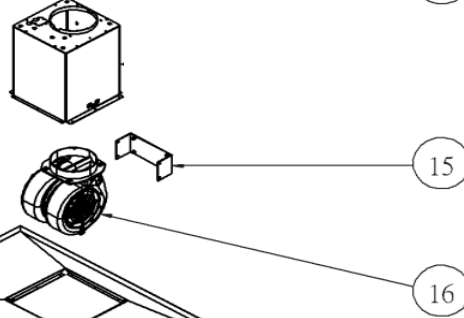
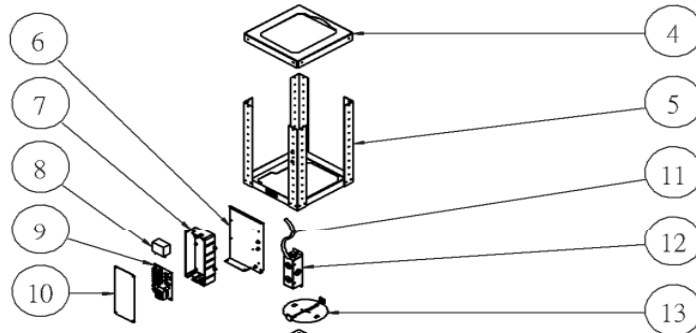
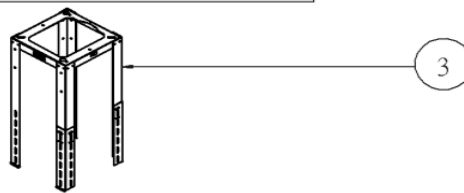
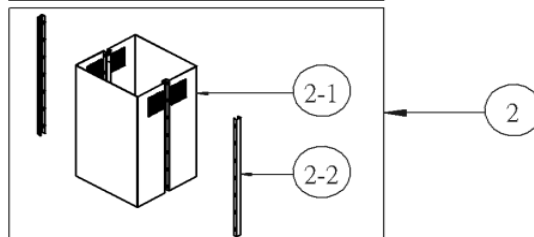
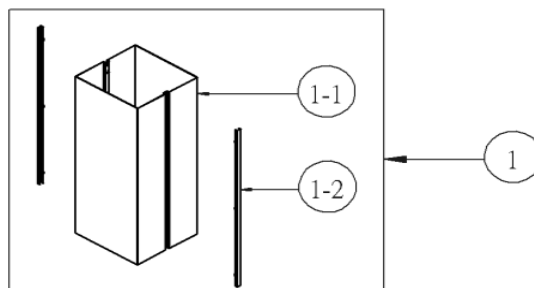


ZAZ-M90BS

ZAZ-E42BS



ZEPHYR

Anzio Is.

ZAZ-M90BS, ZAZ-E42BS

Ref #	Part #	Description	Qty.
1	50050113	Duct Cover Assembly, Lower	1
1-1	50050103	Duct Cover, Lower	2
1-2	50170044	Trim, Lower Duct Cover	2
2	50050114	Duct Cover Assembly, Upper	1
2-1	50050115	Duct Cover, Upper	2
2-2	50170045	Trim, Upper Duct Cover	2
3	54110072	Support Frame, Upper	1
4	54110073	Bracket, Support Frame	1
5	54110074	Support Frame, Lower	1
6	54140163	Plate, Electrical	1
7	56200051	Box, Component	1
8	12050021	Capacitor	1
9	11010059	Control Board	1
10	52170053	Cover, Component Box	1
11	11030028	Wires, Electrical	1
12	56200080	Box, Electrical	1
13	54060007	Damper, 6" Round	1
15	54140099	Bracket, Motor	1
16	12120043	Motor, 600 CFM	1
17	11000083	Switch Assembly	1
17-1	11030080	Cable, Switch	1
17-2	56200082	Housing, Switch	1
17-3	11010062	Switch Board	1
17-4	56240020	Spacer, Small	2
17-5	56240021	Spacer, Large	2
17-6	52170060	Cover, Switch	1
19	50120045	Panel, Rear (36")	1
19	50120046	Panel, Rear (42")	1
20	50140111	Panel, Nose (36")	1
20	50140112	Panel, Nose (42")	1
21	50110094	Panel, Light (36")	2

21	50110095	Panel, Light (42")	2
22	50500140	Light Socket Assembly	4
23	Z0B-0020	Bulb, Halogen, GU-10, 50W	4
24	50200038	Filter, Aluminum Mesh (36" x 2)	3
25	05000076	Hardware Packet	1
25-1	02170001	Washer	4
25-2	01070022	Screw, M4 x 8mm	8
25-3	01060011	Screw, M3 x 6mm	12
25-4	01020011	Screw, M4 x 7mm	4
25-5	01070021	Screw, M4 x 12mm	1
25-6	15000002	Wire Nuts	3
25-7	01090002	Screw, M6 x 1 1/2"	4
25-8	15000004	Suction Cup	1

JAN14.0101