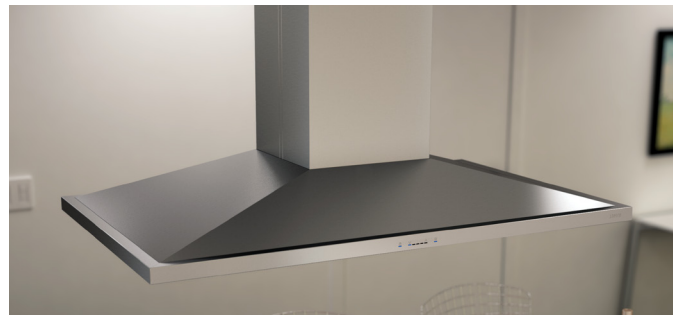


ANZIO island

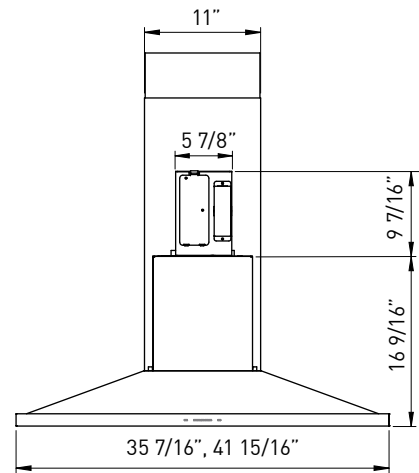
With its low-profile, bell-shaped design, Anzio adds style to any kitchen project. Its 600-CFM motor, ICON Touch™ controls, and dual-level halogen lighting move it ahead of the competition. Add the Quick-Lock installation system and Anzio stands alone in terms of performance, design and value.

	INTERNAL BLOWER STANDARD	ACT™ INTERNAL BLOWER with AIRFLOW CONTROL TECHNOLOGY™	
Min.-Max. CFM	200 - 600	Min.-Max. CFM	200 - 390 200 - 290
Min.-Max. Sones	1 - 6	Min.-Max. Sones	1 - 4 1 - 3

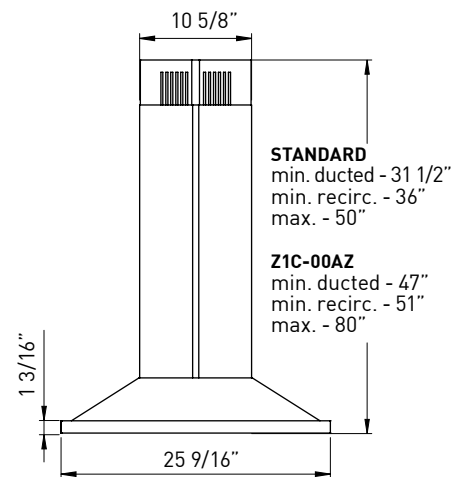
ACT™ is a feature built into specific Zephyr hoods allowing you to limit the maximum blower CFM to meet local code requirements.



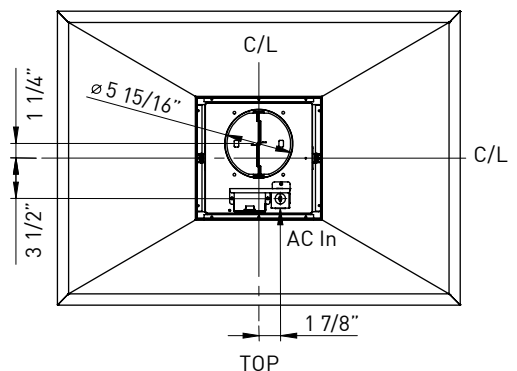
SIZE	
ZAZ-M90BS	36"
ZAZ-E42BS	42"
PERFORMANCE	
INTERNAL, MIN.-MAX. BLOWER CFM	200 - 600
INTERNAL, MIN.-MAX. SONES	1 - 6
COLOR	
STAINLESS STEEL	SS
FEATURES	
ACT™	Yes
CONTROLS	ICON Touch™
SPEED LEVELS	5*
5 MINUTE AUTO DELAY-OFF	Yes
LIGHTING	Halogen, 50W x4
DUAL LEVEL LIGHTING	Yes
FILTERS	
ZAZ-M90BS	Aluminum Mesh x 2
ZAZ-E42BS	Aluminum Mesh x 3
RECIRCULATING OPTION	Yes
EXTENSION DUCT COVER OPTION	Yes, Up to 12' Ceiling
DUCT SPECIFICATIONS	
VERTICAL - INTERNAL	6" Round
HORIZONTAL - INTERNAL	NA
AC POWER	
	120V, 60Hz at Max. 4.2A
OPTIONAL ACCESSORIES	
RECIRCULATING KIT	
ZAZ-M90BS	ZRC-00AZ
ZAZ-E42BS	ZRC-01AZ
DUCT COVER EXTENSION	Z1C-00AZ
UNIVERSAL MAKE-UP AIR KIT	MUA006A
MOUNTING HEIGHT*	
	26" - 34"
WARRANTY	
	3 Years Parts, 1 Year Labor



FRONT



SIDE



TOP

Specifications subject to change, check zephyronline.com for up-to-date information.

CEILING HEIGHT		8'	8.5'	9'	9.5'	10'	10.5'	11'	12'
STANDARD DUCT COVER	Ducted Mounting Height*	26"-28.5"	26"-34"	26"-34"	28"-34"	34"-34"	NA	NA	NA
	Recirc. Mounting Height*	NA	26" - 30"	26"-34"	28"-34"	34"-34"	NA	NA	NA
EXTENSION DUCT COVER	Ducted Mounting Height*	NA	NA	NA	26" - 31"	26"-34"	26"-34"	26"-34"	28"-34"
	Recirc. Mounting Height*	NA	NA	NA	26" - 27"	26" - 33"	26"-34"	26"-34"	28"-34"

*When ACT™ is enabled the maximum speed levels will change. ACT 390 CFM = 4 speeds and ACT 290 CFM = 3 speeds.

**Mounting height refers to distance between top of a 36" tall cooking surface and bottom of hood.

