

ROMA island

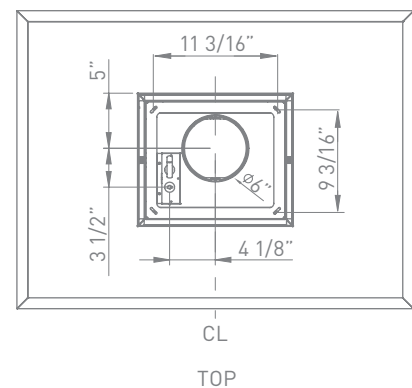
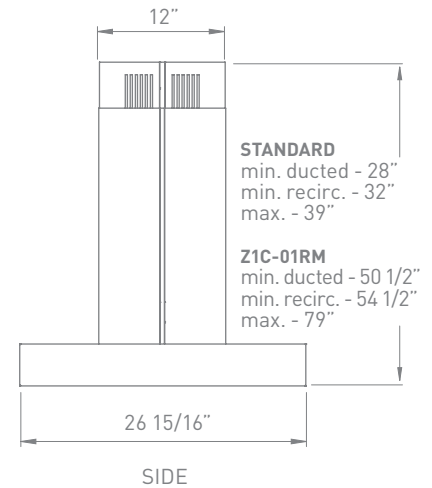
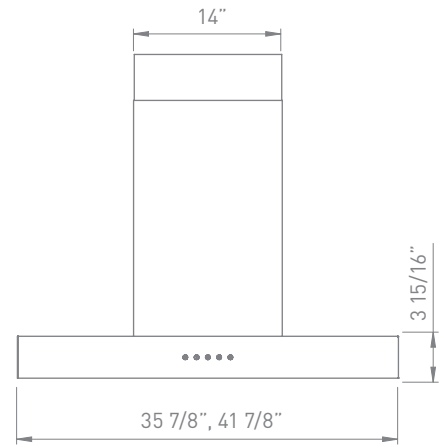
A sharp, angular island design as distinctively bold as its namesake city, Roma's sleek shape is ideal for the savvy renovator, the discerning high-rise developer or the builder who buys in mass but won't skimp on quality. Designed with the innovative Quick-Lock installation system, Roma island can be set up in as few as 20 minutes. A 600-CFM ultra quiet fan and three-speed electronic controls with LED illumination make cooking with Roma as pleasant an experience as admiring its contemporary European style.

- Roma's Quick-Lock hanging system ensures one of the easiest island-hood installations on the market
- A quartet of halogens illuminates the island below
- Optional duct extension kit is available for ceilings up to 12'

MODEL	SIZE	INTERNAL BLOWER		IN-LINE/EXTERNAL	
		Min.-Max. CFM	Min.-Max. Sones	Min.-Max. CFM	Min.-Max. Sones
ZRM-E36BS	36"	240 - 600	1.8 - 6	NA	NA
ZRM-E42BS	42"	240 - 600	1.8 - 6	NA	NA
ZRM-E36BS290	36"	210 - 290	1.4 - 2.8	NA	NA
ZRM-E42BS290	42"	210 - 290	1.4 - 2.8	NA	NA



SIZE	
ZRM-E36B / ZRM-E36BS290	30"
ZRM-E42BS / ZRM-E42BS290	36"
PERFORMANCE	
INTERNAL, MIN.-MAX. BLOWER CFM	
ZRM-E36BS / ZRM-E42BS	240 - 600
ZRM-E36BS290 / ZRM-E42BS290	210 - 290
INTERNAL, MIN.-MAX. SONES	
ZRM-E36BS / ZRM-E42BS	1.8 - 6
ZRM-E36BS290 / ZRM-E42BS290	1.4 - 2.8
COLOR	
STAINLESS STEEL	SS
FEATURES	
CONTROLS	Electronic LED
SPEED LEVELS	3
AUTO DELAY-OFF	No
LIGHTING	Halogen, 50W x4
DUAL LEVEL LIGHTING	Yes
FILTERS	Aluminum Mesh
RECIRCULATING OPTION	Yes
EXTENSION DUCT COVER OPTION	Yes, Up to 12' Ceiling
DUCT SPECIFICATIONS	
VERTICAL - INTERNAL	6"
HORIZONTAL - INTERNAL	NA
AC INPUT	
	120V - 60Hz
AC POWER	
ZRM-E36BS / ZRM-E42BS	Max. 426W at 3.5 A
ZRM-E36BS290 / ZRM-E42BS290	Max. 171W at 1.5 A
OPTIONAL ACCESSORIES	
RECIRCULATING KIT	
ZRM-E36BS, ZRN-E36BS290	ZRC-00RM
ZRM-E42BS, ZRN-E42BS290	ZRC-01RM
EXTENSION DUCT COVER	Z1C-01RM
MOUNTING HEIGHT*	
	26" - 34"



CEILING HEIGHT		8'	8.5'	9'	9.5'	10'	10.5'	11'	12'
STANDARD DUCT COVER	Ducted Mounting Height*	26"-32"	27"-34"	33"-34"	NA	NA	NA	NA	NA
	Recirc. Mounting Height*	26"-28"	27"-34"	33"-34"	NA	NA	NA	NA	NA
EXTENSION DUCT COVER	Ducted Mounting Height*	NA	NA	NA	26"-27.5"	26"-33.5"	26"-34"	26"-34"	29"-34"
	Recirc. Mounting Height*	NA	NA	NA	NA	26"-29.5"	26"-34"	26"-34"	29"-34"

*Mounting height refers to distance between top of a 36" tall cooking surface and bottom of hood.