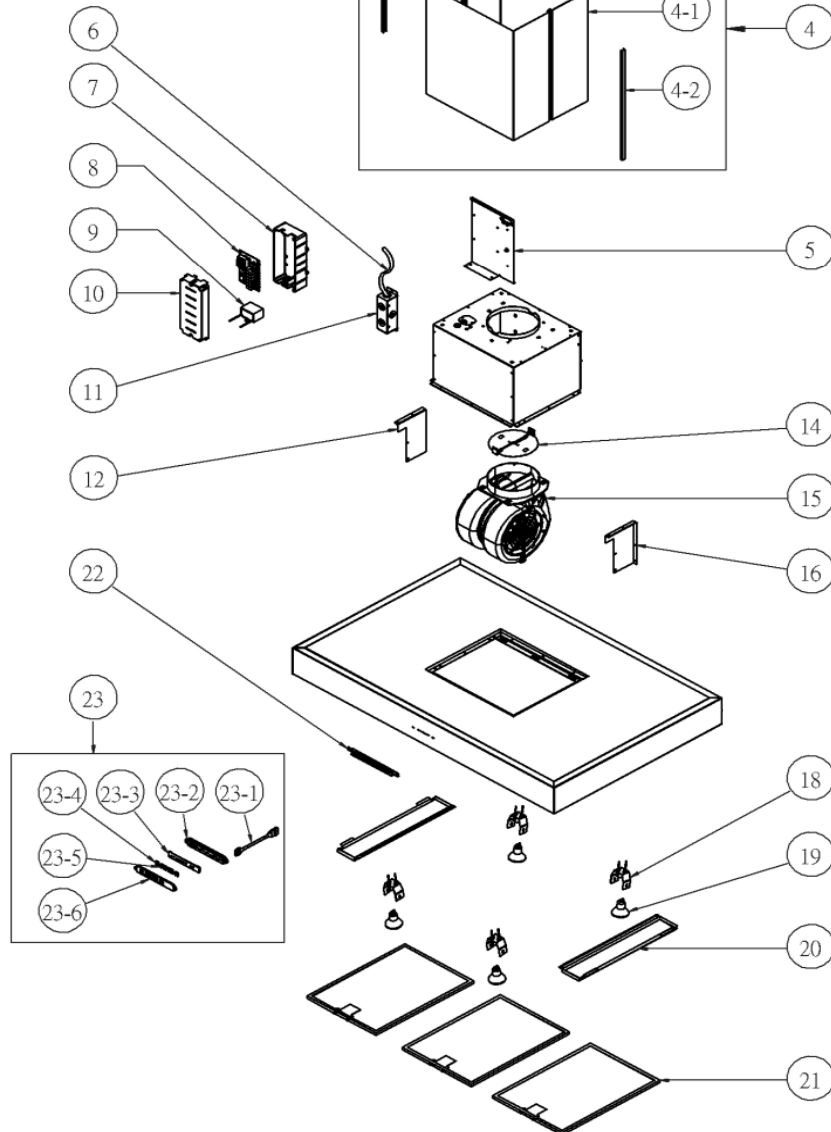
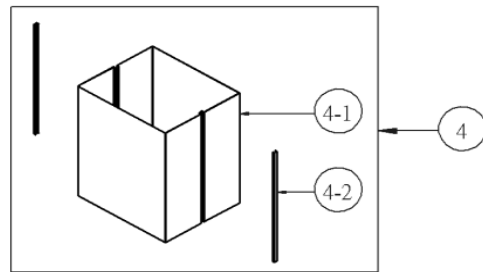
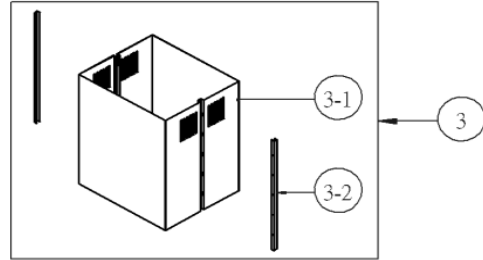
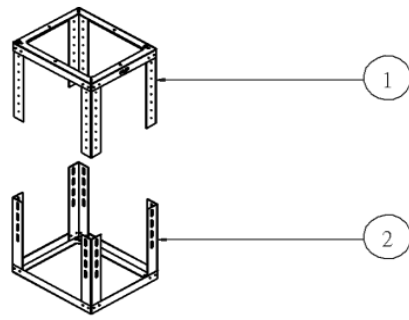


ZRM-E36CS

ZRM-M90CS



ZEPHYR

Roma Island

ZRM-E36CS, ZRM-E42CS

Ref #	Part #	Description	Qty.
1	54110060	Support Frame, Upper	1
2	54110061	Support Frame, Lower	1
3	50500115	Assembly, Upper Duct Cover	1
3-1	50050083	Upper Duct Cover	2
3-2	50170034	Trim, Upper Duct Cover	2
4	50500116	Assembly, Lower Duct Cover	1
4-1	50050084	Lower Duct Cover	2
4-2	50170035	Trim, Lower Duct Cover	2
5	54140104	Bracket, Electrical	1
6	11030015	Wires, Electrical	1
7	56200057	Component Box	1
8	11010059	Control Board	1
9	12050021	Capacitor	1
10	56210024	Cover, Component Box	1
11	56200085	Electrical Box	1
12	54140137	Motor Bracket, Left	1
14	54060007	Damper, 6" Round	1
15	12120066	Motor, 600 CFM	1
16	54140137	Motor Bracket, Right	1
18	50500139	Light Socket Assembly	4
19	Z0B-0020	Bulb, Halogen, GU-10, 50W	4
20	50110077	Panel, Side (36")	2
20	50110083	Panel, Side (42")	2
21	50200053	Filter, Aluminum Mesh (36")	2
21	50200038	Filter, Aluminum Mesh (42")	3
22	54140154	Bracket, Switch	1
23	11000084	Switch Assembly	1
23-1	11030080	Cable, Switch	1
23-2	56200082	Housing, Switch	1
23-3	11010062	Switch Board	1
23-4	56240020	Spacer, Small	2
23-5	56240021	Spacer, Large	2

23-6	52170060	Cover, Switch	1
24	05000063	Hardware Packet	1
24-1	15000004	Suction Cup	1
24-2	01060011	Screw, M3 x 6mm	12
24-3	01090002	Screw, M6 x 1 1/2"	4
24-4	02170001	Washer	4
24-5	01070022	Screw, M4 x 8mm	8
24-6	01020011	Screw, M4 x 7mm	2
24-7	15000002	Wire Nuts	3

JAN14.0101