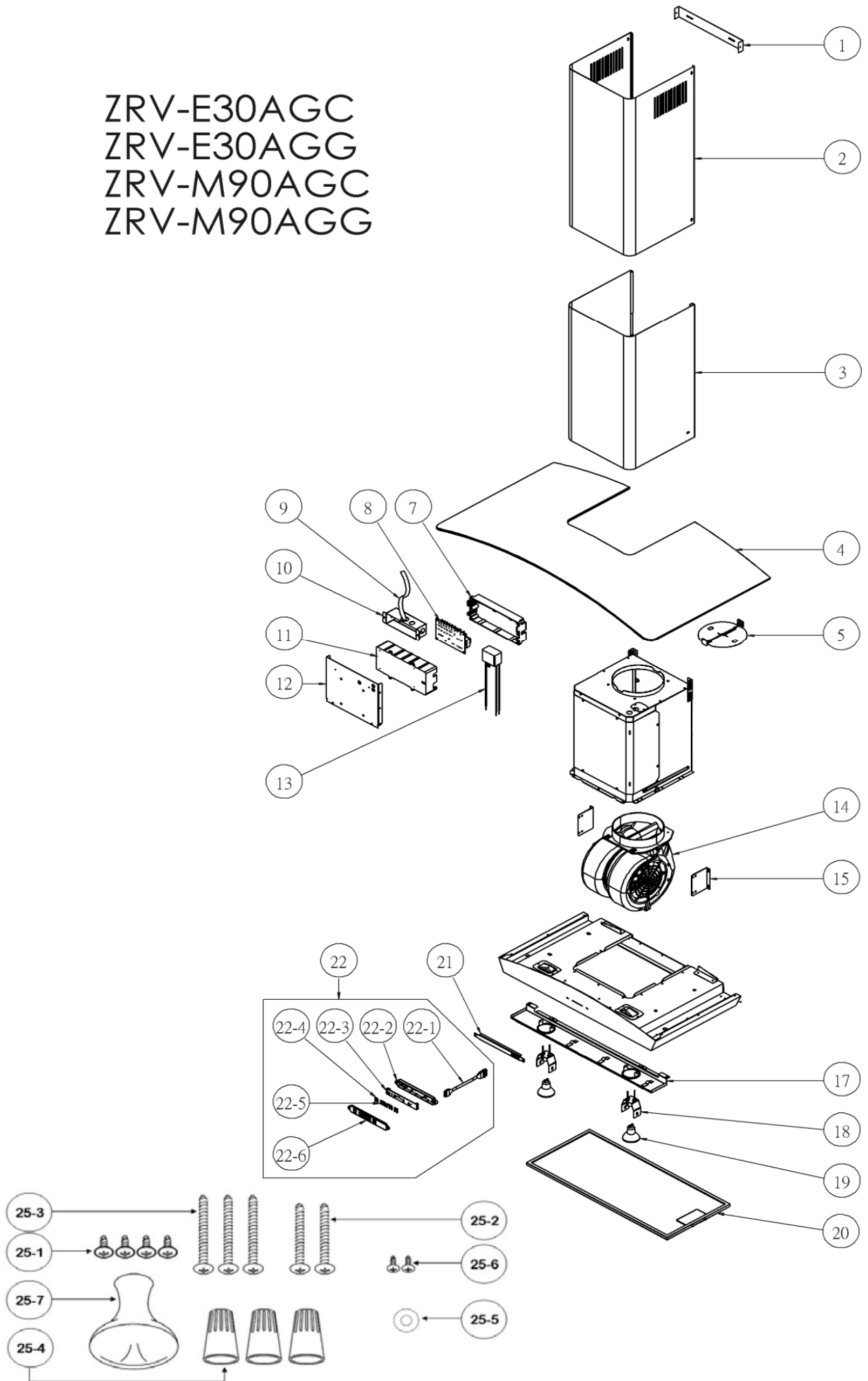


ZRV-E30AGC
ZRV-E30AGG
ZRV-M90AGC
ZRV-M90AGG



ZEPHYR

Ravenna

ZRV-E30AGC/G, ZRV-M90AGC/G

| Ref # | Part # | Description | Qty. |
|-------|----------|----------------------------------|------|
| 1 | 54110050 | Bracket, Duct Cover | 1 |
| 2 | 50050057 | Duct Cover, Upper | 1 |
| 3 | 50050058 | Duct Cover, Lower | 1 |
| 4 | 50300080 | Canopy, Clear Glass (ZRV-E30AGC) | 1 |
| 4 | 50300107 | Canopy, Grey Glass (ZRV-E30AGG) | 1 |
| 4 | 50300081 | Canopy, Clear Glass (ZRV-M90AGC) | 1 |
| 4 | 50300108 | Canopy, Grey Glass (ZRV-M90AGG) | 1 |
| 5 | 54060007 | Damper, 6" Round | 1 |
| 7 | 56210024 | Box, Component | 1 |
| 8 | 11010059 | Control Board | 1 |
| 9 | 11030028 | Wires, Electrical | 1 |
| 10 | 56200086 | Box, Electrical | 1 |
| 11 | 56200051 | Cover, Component Box | 1 |
| 12 | 54140164 | Bracket, Electrical | 1 |
| 13 | 12050021 | Capacitor | 1 |
| 14 | 12120066 | Motor | 1 |
| 15 | 54140165 | Bracket, Motor | 2 |
| 17 | 50110130 | Panel, Light | 1 |
| 18 | 50500140 | Light Socket Assembly | 2 |
| 19 | Z0B-0020 | Bulb, Halogen, GU-10, 50W | 2 |
| 20 | 50200044 | Filter, Aluminum Mesh | 1 |
| 21 | 54140154 | Bracket, Switch | 1 |
| 22 | 11000083 | Switch Assembly | 1 |
| 22-1 | 11030080 | Cable, Switch | 1 |
| 22-2 | 56200082 | Housing, Switch | 1 |
| 22-3 | 11010062 | Switch Board | 1 |
| 22-4 | 56240020 | Spacer, Switch, Small | 2 |
| 22-5 | 56240021 | Spacer, Switch, Large | 2 |
| 22-6 | 52170060 | Cover, Switch | 1 |
| 25 | 05000095 | Hardware Packet | 1 |
| 25-1 | 01020011 | Screw, M4 x 7mm | 4 |
| 25-2 | 01090001 | Screw, M6 x 1" | 2 |
| 25-3 | 01090002 | Screw, M6 x 1 1/2" | 3 |
| 25-4 | 15000002 | Wire Nuts | 3 |
| 25-5 | 02170001 | Washer | 1 |
| 25-6 | 01060004 | Screw, M3 x 8mm | 2 |
| 25-7 | 15000004 | Suction Cup | 1 |