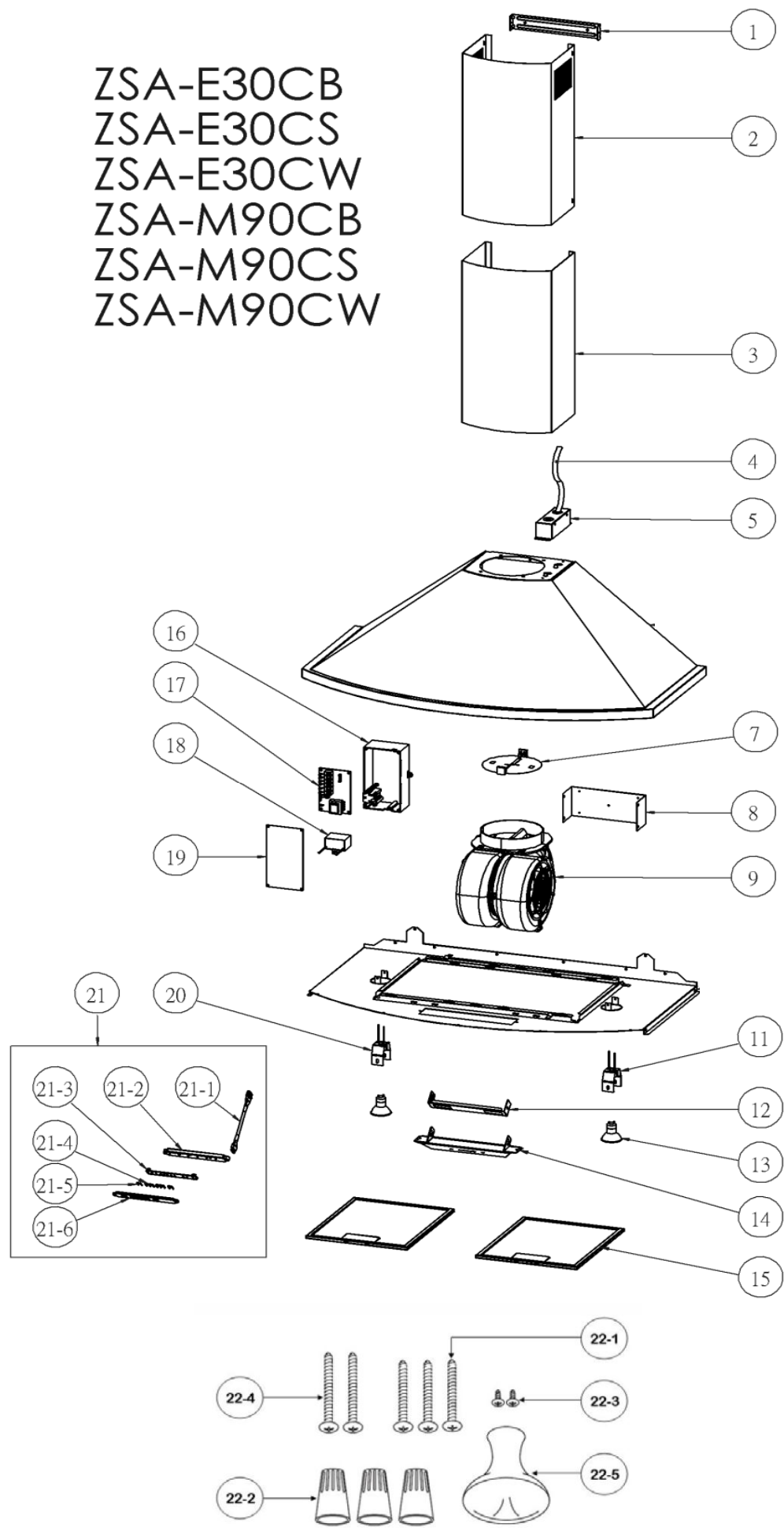


ZSA-E30CB
ZSA-E30CS
ZSA-E30CW
ZSA-M90CB
ZSA-M90CS
ZSA-M90CW



ZSA-E30C(B,S,W), ZSA-M90C(B,S,W)

| Ref # | Part # | Description | Qty. |
|-------|----------|------------------------------|------|
| 1 | 54110051 | Bracket, Duct Cover | 1 |
| 2 | 50050059 | Upper Duct Cover, SS | 1 |
| 2 | 50050060 | Upper Duct Cover, Black | 1 |
| 2 | 50050151 | Upper Duct Cover, White | 1 |
| 3 | 50050061 | Lower Duct Cover, SS | 1 |
| 3 | 50050062 | Lower Duct Cover, Black | 1 |
| 3 | 50050152 | Lower Duct Cover, White | 1 |
| 4 | 11030015 | Wires, Electrical | 1 |
| 5 | 56200081 | Electrical Box | 1 |
| 7 | 54060007 | Damper, 6" Round | 1 |
| 8 | 54140065 | Bracket, Motor | 1 |
| 9 | 12120043 | Motor, 685 CFM | 1 |
| 11 | 50500137 | Light Socket Assembly, Right | 1 |
| 12 | 50100027 | Panel, Switch | 1 |
| 13 | Z0B-0020 | Bulb, Halogen, GU-10, 50W | 2 |
| 14 | 56200083 | Housing, Switch, SS | 1 |
| 14 | 56200084 | Housing, Switch, Black | 1 |
| 14 | 56200087 | Housing, Switch, White | 1 |
| 15 | 50200011 | Filter, Aluminum Mesh | 2 |
| 16 | 54200020 | Component Box | 1 |
| 17 | 11010059 | Control Board | 1 |
| 18 | 12050021 | Capacitor | 1 |
| 19 | 56210067 | Cover, Component Box | 1 |
| 20 | 50500138 | Light Socket Assembly, Left | 1 |
| 21 | 11000083 | Switch Assembly, SS | 1 |
| 21 | 11000084 | Switch Assembly, Blk/Wht | 1 |
| 21-1 | 11030080 | Cable, Switch | 1 |
| 21-2 | 56200082 | Housing, Switch | 1 |
| 21-3 | 11010062 | Switch Board | 1 |
| 21-4 | 56240020 | Switch Spacer, Small | 2 |
| 21-5 | 56240021 | Switch Spacer, Large | 2 |
| 21-6 | 52170060 | Cover, Switch | 1 |
| 22 | 05000060 | Hardware Packet | 1 |
| 22-1 | 01090001 | Screw, M6 x 1" | 3 |
| 22-2 | 15000002 | Wire Nuts | 3 |
| 22-3 | 01070006 | Screw, M4 x 8mm | 2 |
| 22-4 | 01070015 | Screw, M4 x 1 1/2" | 2 |
| 22-5 | 15000004 | Suction Cup | 1 |