

SIENA wall

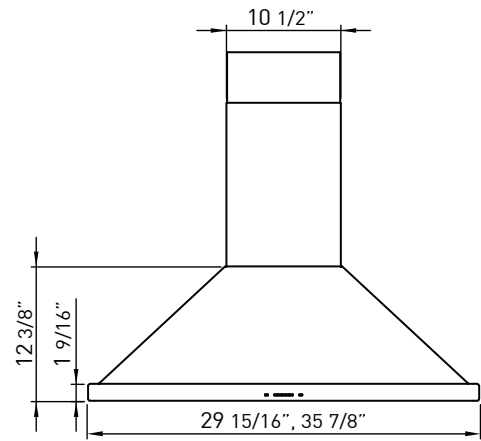
Sienna is packed with power. With a 650-CFM blower and ACT™ technology this is a hood with a versatile range of features perfect for any kitchen. With dual-level halogens, a recirculating option and Zephyr's new ICON Touch™ controls, clearing the air is as simple as the touch of a button.

	INTERNAL BLOWER STANDARD	ACT™ INTERNAL BLOWER with AIRFLOW CONTROL TECHNOLOGY™	
Min.-Max. CFM	200 - 650	Min.-Max. CFM	200 - 390 200 - 290
Min.-Max. Sones	1 - 6	Min.-Max. Sones	1 - 4 1 - 3

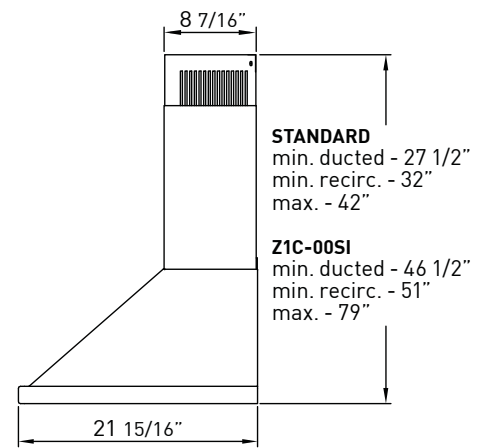
ACT™ is a feature built into specific Zephyr hoods allowing you to limit the maximum blower CFM to meet local code requirements.



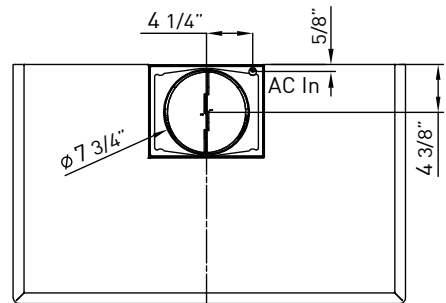
SIZE	
ZSI-E30AS	30"
ZSI-E36AS	36"
PERFORMANCE	
INTERNAL, MIN.-MAX. BLOWER CFM	200 - 650
INTERNAL, MIN.-MAX. SONES	1 - 6
COLOR	
STAINLESS STEEL	SS
FEATURES	
ACT™	Yes
CONTROLS	ICON Touch™
SPEED LEVELS	5*
5 MINUTE AUTO DELAY-OFF	Yes
LIGHTING	Halogen, 50W x 2
DUAL LEVEL LIGHTING	Yes
FILTERS	Baffle x 2
RECIRCULATING OPTION	Yes
EXTENSION DUCT COVER OPTION	Yes, Up to 12' Ceiling
DUCT SPECIFICATIONS	
VERTICAL - INTERNAL	8" Round
HORIZONTAL - INTERNAL	NA
AC POWER	
	120V, 60Hz at Max. 4.6A
OPTIONAL ACCESSORIES	
RECIRCULATING KIT	ZRC-00SI
EXTENSION DUCT COVER	Z1C-00SI
UNIVERSAL MAKE-UP AIR KIT	MUA008A
MOUNTING HEIGHT**	
	26" - 34"
WARRANTY	
	3 Years Parts, 1 Year Labor



FRONT



SIDE



C/L

TOP

Specifications subject to change, check zephyronline.com for up-to-date information.

CEILING HEIGHT		8'	8.5'	9'	9.5'	10'	10.5'	11'	12'
STANDARD DUCT COVER	Ducted Mounting Height**	26"-32.5"	26"-34"	30"-34"	NA	NA	NA	NA	NA
	Recirc. Mounting Height**	26"-28"	26"-34"	30"-34"	NA	NA	NA	NA	NA
EXTENSION DUCT COVER	Ducted Mounting Height**	NA	NA	NA	26"-31.5"	26"-34"	26"-34"	26"-34"	28"-34"
	Recirc. Mounting Height**	NA	NA	NA	26"-27"	26"-33"	26"-34"	26"-34"	28"-34"

*When ACT™ is enabled the maximum speed levels will change. ACT 390 CFM = 4 speeds and ACT 290 CFM = 3 speeds.

**Mounting height refers to distance between top of a 36" tall cooking surface and bottom of hood.

