



Amana®

Range

Use & Care Guide



Important Safety Instructions 1-4



Surface Cooking 5-7
Surface Controls
Sealed Burners



Oven Cooking 8-17
Baking
Cook & Hold
Delay Cook & hold
Keep Warm
Broiling
Oven Racks



Care & Cleaning 18-21
Self-Clean Oven
Cleaning Procedures



Maintenance 22-23
Oven Window & Light
Removal of Gas Appliance



Troubleshooting 24-25



Warranty & Service 27

Guide d'utilisation et d'entretien 28

Guía de Uso y Cuidado 56

Installer: Please leave this guide with this appliance.

Consumer: Please read and keep this guide for future reference. Keep sales receipt and/or canceled check as proof of purchase.

Model Number _____

Serial Number _____

Date of Purchase _____

If you have questions, call:
Customer Assistance
1-800-688-9900 USA
1-800-688-2002 Canada
(Mon.-Fri., 8 am-8 pm Eastern Time)
Internet: <http://www.amana.com>

In our continuing effort to improve the quality and performance of our cooking products, it may be necessary to make changes to the appliance without revising this guide.

For service information, see page 27.



Important Safety Instructions

Warning and Important Safety Instructions appearing in this guide are not meant to cover all possible conditions and situations that may occur. Common sense, caution, and care must be exercised when installing, maintaining, or operating the appliance.

Always contact the manufacturer about problems or conditions you do not understand.

Recognize Safety Symbols, Words, Labels

WARNING

WARNING – Hazards or unsafe practices which COULD result in severe personal injury or death.

CAUTION

CAUTION – Hazards or unsafe practices which COULD result in minor personal injury.

Read and follow all instructions before using this appliance to prevent the potential risk of fire, electric shock, personal injury or damage to the appliance as a result of improper usage of the appliance. Use appliance only for its intended purpose as described in this guide.

To ensure proper and safe operation: Appliance must be properly installed and grounded by a qualified technician. Do not attempt to adjust, repair, service, or

replace any part of your appliance unless it is specifically recommended in this guide. All other servicing should be referred to a qualified servicer. Have the installer show you the location of the gas shut off valve and how to shut it off in an emergency.

Always disconnect power to appliance before servicing.

WARNING

If the information in this manual is not followed exactly, a fire or explosion may result causing property damage, personal injury or death.

- **Do not store or use gasoline or other flammable vapors and liquids in the vicinity of this or any appliance.**
- **IF YOU SMELL GAS:**
 - **Do not try to light any appliance.**
 - **Do not touch any electrical switch.**
 - **Do not use any phone in your building.**
 - **Immediately call your gas supplier from a neighbor's phone. Follow the gas supplier's instructions.**
 - **If you cannot reach your gas supplier, call the fire department.**
- **Installation and service must be performed by a qualified installer, service agency or the gas supplier.**

WARNING

Gas leaks may occur in your system and result in a dangerous situation. Gas leaks may not be detected by smell alone. Gas suppliers recommend you purchase and install an UL approved gas detector. Install and use in accordance with the manufacturer's instructions.

General Instructions

WARNING

- **ALL RANGES CAN TIP AND CAUSE INJURIES TO PERSONS**
- **INSTALL ANTI-TIP DEVICE PACKED WITH RANGE**
- **FOLLOW ALL INSTALLATION INSTRUCTIONS**



WARNING: To reduce risk of tipping of the appliance from abnormal usage or by excessive loading of the oven door, the appliance must be secured by a properly installed anti-tip device.



Important Safety Instructions

To check if device is properly installed, look underneath range with a flashlight to make sure one of the rear leveling legs is properly engaged in the bracket slot. The anti-tip device secures the rear leveling leg to the floor when properly engaged. You should check this **anytime** the range has been moved.

To Prevent Fire or Smoke Damage

Be sure all packing materials are removed from the appliance before operating it.

Keep area around appliance clear and free from combustible materials, gasoline, and other flammable vapors and materials.

If appliance is installed near a window, proper precautions should be taken to prevent curtains from blowing over burners.

NEVER leave any items on the cooktop. The hot air from the vent may ignite flammable items and may increase pressure in closed containers which may cause them to burst.

Many aerosol-type spray cans are **EXPLOSIVE** when exposed to heat and may be highly flammable. Avoid their use or storage near an appliance.

Many plastics are vulnerable to heat. Keep plastics away from parts of the appliance that may become warm or hot. Do not leave plastic items on the cooktop as they may melt or soften if left too close to the vent or a lighted surface burner.

To eliminate the hazard of reaching over hot surface burners, cabinet storage should not be provided directly above a unit. If storage is provided, it should be limited to items which are used infrequently and which are safely stored in an area subjected to heat from an appliance. Temperatures may be unsafe for some items, such as volatile liquids, cleaners or aerosol sprays.

In Case of Fire

Turn off appliance and ventilating hood to avoid spreading the flame. Extinguish flame then turn on hood to remove smoke and odor.

- **Cooktop:** Smother fire or flame in a pan with a lid or cookie sheet.
NEVER pick up or move a flaming pan.
- **Oven:** Smother fire or flame by closing the oven door.

Do not use water on grease fires. Use baking soda, a dry chemical or foam-type extinguisher to smother fire or flame.

Child Safety

CAUTION

NEVER store items of interest to children in cabinets above an appliance or on backguard of a range. Children climbing on the appliance door to reach items could be seriously injured.

NEVER leave children alone or unsupervised near the appliance when it is in use or is still hot.

NEVER allow children to sit or stand on any part of the appliance as they could be injured or burned.

Children must be taught that the appliance and utensils in it can be hot. Let hot utensils cool in a safe place, out of reach of small children. Children should be taught that an appliance is not a toy. Children should not be allowed to play with controls or other parts of the unit.

About Your Appliance

WARNING

NEVER use appliance door as a step stool or seat as this may result in possible tipping of the appliance and serious injuries.

NEVER use this appliance as a space heater to heat or warm a room. Doing so may result in carbon monoxide poisoning and overheating of the oven.

NEVER cover any slots, holes or passages in the oven bottom or cover the entire rack with materials such as aluminum foil. Doing so blocks air flow through the oven and may cause carbon monoxide poisoning. Aluminum foil may also trap heat causing a fire hazard.

NEVER obstruct the flow of combustion and ventilation air by blocking the oven vent or air intakes. Doing so restricts air to the burners and may result in carbon monoxide poisoning.

The oven vent is located at the rear of the cooking surface.

Avoid touching oven vent area while oven is on and for several minutes after oven is turned off. Some parts of



Important Safety Instructions

the vent and surrounding area become hot enough to cause burns. After oven is turned off, do not touch the oven vent or surrounding areas until they have had sufficient time to cool.

Other potentially hot surfaces include cooktop, areas facing the cooktop, oven vent, surface near the vent opening, oven door, area around the oven door and oven window.

Do not touch a hot oven light bulb with a damp cloth as the bulb could break. Should the bulb break, disconnect power to the appliance before removing bulb to avoid electrical shock.

Do not use the cooktop or oven as a storage area for food or cooking utensils.

Cooking Safety

Always place a pan on a surface burner before turning it on. Be sure you know which knob controls which surface burner. Make sure the correct burner is turned on and that the burner has ignited. When cooking is completed, turn burner off before removing pan to prevent exposure to burner flame.

Always adjust surface burner flame so that it does not extend beyond the bottom edge of the pan. An excessive flame is hazardous, wastes energy and may damage the appliance, pan or cabinets above the appliance.

NEVER leave a surface cooking operation unattended especially when using a high heat setting or when deep fat frying. Boilovers cause smoking and greasy spillovers may ignite. Clean up greasy spills as soon as possible. Do not use high heat for extended cooking operations.

NEVER heat an unopened container on the surface burner or in the oven. Pressure build-up may cause container to burst resulting in serious personal injury or damage to the appliance.

Use dry, sturdy potholders. Damp potholders may cause burns from steam. Dish towels or other substitutes should never be used as potholders because they can trail across hot surface burners and ignite or get caught on appliance parts.

Always let quantities of hot fat used for deep fat frying cool before attempting to move or handle.

Do not let cooking grease or other flammable materials accumulate in or near the appliance, hood or vent fan.

Clean hood frequently to prevent grease from accumulating on hood or filter. When flaming foods under the hood turn the fan on.

NEVER wear garments made of flammable material or loose fitting or long-sleeved apparel while cooking. Clothing may ignite or catch utensil handles.

Always place oven racks in the desired positions while oven is cool. Slide oven rack out to add or remove food, using dry, sturdy potholders. Always avoid reaching into the oven to add or remove food. If a rack must be moved while hot, use a dry potholder. Always turn the oven off at the end of cooking.

Use care when opening the oven door. Let hot air or steam escape before moving or replacing food.

PREPARED FOOD WARNING: Follow food manufacturer's instructions. If a plastic frozen food container and/or its cover distorts, warps, or is otherwise damaged during cooking, immediately discard the food and its container. The food could be contaminated.

NEVER use aluminum foil to cover oven racks or oven bottom. This could result in risk of electric shock, fire, or damage to the appliance. Use foil only as directed in this guide.

Utensil Safety

Use pans with flat bottoms and handles that are easily grasped and stay cool. Avoid using unstable, warped, easily tipped or loose-handled pans. Also avoid using pans, especially small pans, with heavy handles as they could be unstable and easily tip. Pans that are heavy to move when filled with food may also be hazardous.

Be sure utensil is large enough to properly contain food and avoid boilovers. Pan size is particularly important in deep fat frying. Be sure pan will accommodate the volume of food that is to be added as well as the bubble action of fat.

To minimize burns, ignition of flammable materials and spillage due to unintentional contact with the utensil, do not extend handles over adjacent surface burners. Always turn pan handles toward the side or back of the appliance, not out into the room where they are easily hit or reached by small children.

Never let a pan boil dry as this could damage the utensil and the appliance.

Follow the manufacturer's directions when using oven cooking bags.



Important Safety Instructions

Only certain types of glass, glass/ceramic, ceramic or glazed utensils are suitable for cooktop or oven usage without breaking due to the sudden change in temperature. Follow manufacturer's instructions when using glass.

This appliance has been tested for safe performance using conventional cookware. Do not use any devices or accessories that are not specifically recommended in this guide. Do not use eyelid covers for the surface units, stovetop grills, or add-on oven convection systems. The use of devices or accessories that are not expressly recommended in this manual can create serious safety hazards, result in performance problems, and reduce the life of the components of the appliance.

Cleaning Safety

Turn off all controls and wait for appliance parts to cool before touching or cleaning them. Do not touch the burner grates or surrounding areas until they have had sufficient time to cool.

Clean appliance with caution. Use care to avoid steam burns if a wet sponge or cloth is used to wipe spills on a hot surface. Some cleaners can produce noxious fumes if applied to a hot surface.

Self-Clean Oven

CAUTION

Before self-cleaning the oven, remove the oven racks, broiler pan, food and any other utensils. Wipe spillovers to prevent excessive smoke and flare-ups.

Clean only parts listed in this guide. Do not clean door gasket. The door gasket is essential for a good seal. Care should be taken not to rub, damage, or move the gasket. Do not use oven cleaners of any kind in or around any part of the self-clean oven.

It is normal for the cooktop of the range to become hot during a self-clean cycle. Therefore, touching the cooktop during a clean cycle should be avoided.

Important Safety Notice and Warning

The California Safe Drinking Water and Toxic Enforcement Act of 1986 (Proposition 65) requires the Governor of California to publish a list of substances known to the State of California to cause cancer or reproductive harm, and requires businesses to warn customers of potential exposures to such substances.

Users of this appliance are hereby warned that the burning of gas can result in low-level exposure to some of the listed substances, including benzene, formaldehyde and soot, due primarily to the incomplete combustion of natural gas or liquid petroleum (LP) fuels. Properly adjusted burners will minimize incomplete combustion. Exposure to these substances can also be minimized by properly venting the burners to the outdoors.

Users of this appliance are hereby warned that when the oven is engaged in the self-clean cycle, there may be some low-level exposure to some of the listed substances, including carbon monoxide. Exposure to these substances can be minimized by properly venting the oven to the outdoors by opening the windows and/or door in the room where the appliance is located during the self-clean cycle.

IMPORTANT NOTICE REGARDING PET BIRDS:

Never keep pet birds in the kitchen or in rooms where the fumes from the kitchen could reach. Birds have a very sensitive respiratory system. Fumes released during an oven self-cleaning cycle may be harmful or fatal to birds. Fumes released due to overheated cooking oil, fat, margarine and overheated non-stick cookware may be equally harmful.

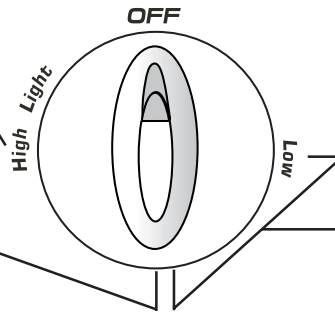
Save These Instructions for Future Reference



Surface Cooking

High: Use to bring liquid to a boil, or reach pressure in a pressure cooker. Always reduce setting to a lower heat when liquids begin to boil or foods begin to cook.

An intermediate flame size is used to continue cooking. Food will not cook any faster when a higher flame setting is used than needed to maintain a gentle boil. Water boils at the same temperature whether boiling gently or vigorously.



Medium to Low: Use to simmer foods and keep foods warm. Some cooking may take place on the Low setting if the pan is covered. It is possible to reduce the heat by rotating the knob toward **OFF**. Be sure flame is stable.

Surface Controls

CAUTION

- If flame should go out during a cooking operation, turn the burner to **OFF**. If a strong gas odor is detected, open a window and wait five minutes before relighting the burner.
- Be sure all surface controls are set in the **OFF** position prior to supplying gas to the range.
- **NEVER** touch cooktop until it has cooled. Expect some parts of the cooktop, especially around the burners, to become warm or hot during cooking. Use potholders to protect hands.

Setting the controls:

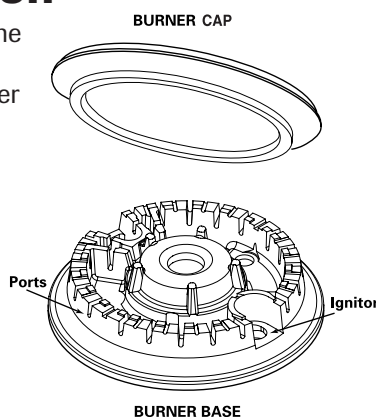
The size and type of cookware will affect the heat setting.

1. Place a pan on the burner grate.
 - The burner flame may lift off or appear separated from the port if a pan is not placed on the grate.
2. Push in and turn the knob counterclockwise to the **Light** setting.
 - A clicking (spark) sound will be heard and the burner will light. (All of the ignitors will spark when any surface burner knob is turned to the **Light** position.)
3. After the burner lights, turn knob to desired flame size.
 - The ignitor will continue to spark until the knob is turned past the **Light** position.

Pilotless Ignition

Pilotless ignition eliminates the need for a constant standing pilot light. Each surface burner has a spark ignitor. Use care when cleaning around the surface burner.

If the surface burner does not light, check if ignitor is damaged, soiled or wet.



Operating Surface Burners During a Power Failure

CAUTION

When lighting the surface burners, be sure all of the controls are in the **OFF** position. Strike the match first and hold it in position before turning the knob to **Light**.

1. Hold a lighted match to the desired surface burner head.
2. Push in and turn the control knob slowly to **Light**.
3. Adjust the flame to the desired level.

Surface Control Knobs

Use to turn on the surface burners. An infinite choice of heat settings is available from Low to High. At the High setting a detent or notch may be felt. The knobs can be set on or between any of the settings.

Graphics next to the knob identify which burner the knob controls. For example, the graphic at right shows the left front burner location.



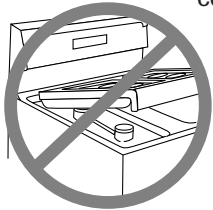


Surface Cooking

Cooktop

To prevent the cooktop from discoloring or staining:

- Clean cooktop after each use.
- Wipe acidic or sugary spills as soon as the cooktop has cooled as these spills may discolor the porcelain.



Unlike a range with standard gas burners, this cooktop does not lift-up nor is it removable. **Do not attempt to lift the cooktop for any reason.**

Sealed Burners

The sealed burners of your range are secured to the cooktop and are not designed to be removed. Since the burners are sealed into the cooktop, boilovers or spills will not seep underneath the cooktop.

However, the burner cap and base should be cleaned after each use. The cap portion of the burner is easily removed for cleaning. (See page 20 for cleaning directions.)

The burner caps must be correctly placed on the burner base for proper operation of the burner.

High Performance Burner

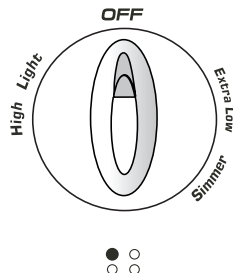
(16,000 BTU*)

There is one high speed burner on your range, located in the right front position. This burner offers higher speed cooking that can be used to quickly bring water to a boil and for large-quantity cooking.

Simmer Burner

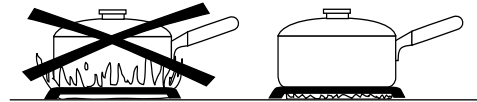
This burner is located in the left rear position. The simmer burner offers an Extra Low setting with a lower BTU* flame for melting chocolate or butter.

* BTU ratings will vary when using LP gas.



Notes

- A properly adjusted burner with clean ports will light within a few seconds. If using natural gas, the flame will be blue with a deeper blue inner cone.
If the burner flame is yellow or is noisy, the air/gas mixture may be incorrect. Contact a service technician to adjust. (Adjustments are not covered by the warranty.)
With LP gas, slight yellow tips on the flames are acceptable. This is normal and adjustment is not necessary.
- With some types of gas, you may hear a “popping” sound when the surface burner is turned off. This is a normal operating sound of the burner.
- If the control knob is turned very quickly from **High** to **Low**, the flame may go out, particularly if the burner is cold. If this occurs, turn the knob to the **OFF** position, wait several seconds and relight the burner.
- The flame should be adjusted so it does not extend beyond the edge of the pan.



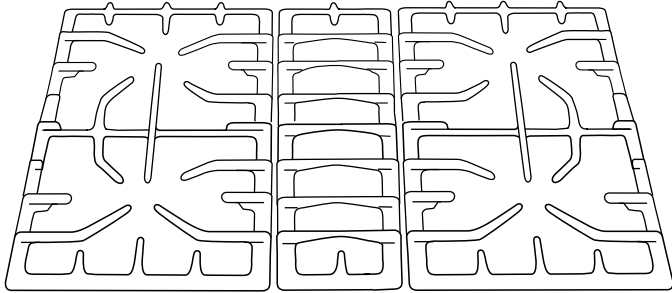


Surface Cooking

Burner Grates

The grates must be properly positioned before cooking. When installing the grates, place the tab ends toward the center, matching the straight bars.

Improper installation of the grates may result in chipping of the cooktop.



Do not operate the burners without a pan on the grate. The grate's porcelain finish may chip without a pan to absorb the heat from the burner flame.

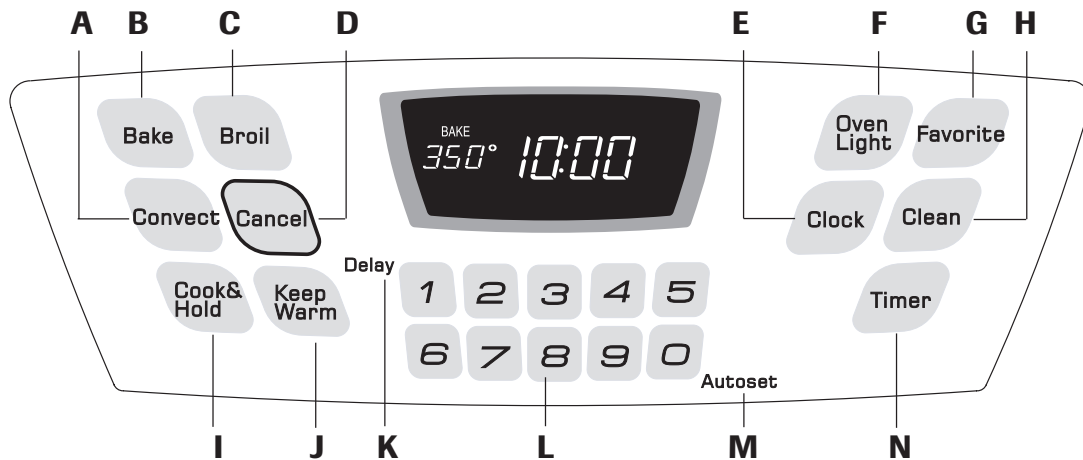
Use care when stirring food in a pot/pan sitting on the burner grate. The grates have a smooth finish for ease of cleaning. The pot/pan will slide if the handle is not held. This may result in spilling of hot food items and may be a burn hazard.

Although the burner grates are durable, they will gradually lose their shine and/or discolor, due to the high temperatures of the gas flame.



Oven Cooking

Control Panel



The control panel is designed for ease in programming. The display window on the control shows time of day, timer and oven functions. Control panel shown includes model specific features. (Styling may vary depending on model.)

A	Convection (select models)	Use for convection baking and roasting.
B	Bake	Use for baking and roasting.
C	Broil	Use for broiling and top browning.
D	Cancel	Cancels all operations except Timer and Clock.
E	Clock	Use to set time-of-day clock.
F	Oven Light	Use to turn the oven light on or off.
G	Favorite	Use to set and save a specific Cook & Hold procedure.
H	Clean	Use to set self-clean cycle.
I	Cook & Hold	Bakes for a preset time, then holds food warm for 1 hour.
J	Keep Warm	Use to keep cooked food warm in oven.
K	Delay	Programs the oven to start baking at a later time.
L	Number Pads	Use to set time and temperature.
M	Autoset	Use to quickly set temperatures.
N	Timer	Sets Timer.

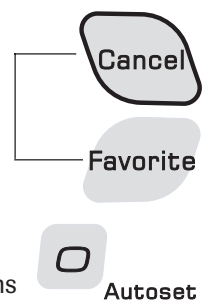
Note: Four seconds after pressing the number pads or the **Autoset 0** pad, the time or temperature will automatically be entered. If more than 30 seconds elapse between touching a function pad and the number pads or the **Autoset 0** pad, the function will be canceled and the display will return to the previous display.

Clock

The clock can be set to display time in a 12-hour or 24-hour format. The clock is set at the factory for the 12-hour format.

To change the clock to 24-hour format:

1. Press and hold the **Cancel** and **Favorite** pads for three seconds.
 - 12 Hr flashes in the display.
2. Press the **Autoset 0** pad to select 24 Hr; press again to select 12 Hr.
3. Set the time of day following the directions in the "To set the Clock" section.



To set the Clock:

1. Press the **Clock** pad.
 - The time of day flashes in the display.
2. Press the appropriate number pads to set the time of day.
 - Colon flashes in the display.
3. Press the **Clock** pad again or wait four seconds.
 - The colon will remain on.



Using the Touchpads

- Press the desired pad.
- Press the number pads to enter time or temperature.
- Press the **Autoset 0** pad to enter temperature.
- A beep will sound when any pad is touched.
- A double beep will sound if a programming error occurs.



Oven Cooking

To recall the time of day when another time function is showing, press the **Clock** pad.

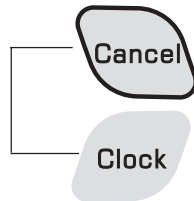
Clock time cannot be changed when the oven has been programmed for Delay Cook or Clean, or Cook & Hold.

To cancel the Clock display:

If you do not want the time of day to display:

Press and hold the **Cancel** and **Clock** pads for three seconds. The time of day will disappear from the display.

When the clock display is canceled, press the **Clock** pad to briefly display the time of day.



When the clock display is canceled, after 15 minutes, the oven control will go into Standby Mode to save energy. The display will be blank and the oven light will not operate. To “wake up” the control from Standby Mode, press any touchpad. A double beep will sound.

To restore the Clock display:

Press and hold the **Cancel** and **Clock** pads for three seconds. The time of day will reappear in the display.

Timer

The timer can be set from one minute (0:01) up to 99 hours and 59 minutes (99:59).

The timer can be used independently of any other oven activity. It can also be set while another oven function is operating.

The timer does not control the oven. It only controls a beeper.

To set the Timer:

1. Press the **Timer** pad.
 - 0:00 and TIMER flash in the display.
2. Press the appropriate number pads until the correct time appears in the display.
 - The colon and TIMER will continue to flash.
3. Press **Timer** pad again or wait four seconds.
 - The colon stops flashing and the time begins counting down.
 - The last minute of the timer countdown will be displayed in seconds.



4. At the end of the set time, one long beep will sound and “End” will be displayed.

5. Press the **Timer** pad to clear the display.

To cancel the Timer:

1. Press and hold the **Timer** pad for three seconds.
 - OR
2. Press the **Timer** pad and press ‘0’ using the number pads.



Locking the Control and Oven Door

The touchpad and oven door can be locked for safety, cleaning, or to prevent unwanted use. The touchpads will not function when locked.

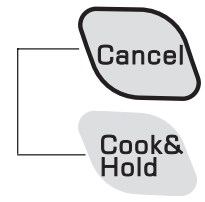
If the oven is currently in use, the touchpads and door cannot be locked.

The current time of day will remain in the display when the touchpads and door are locked.

To lock:

Press and hold the **Cancel** and **Cook & Hold** pads for three seconds. (Press the **Cancel** pad first.)

- OFF appears in the display
- LOCK flashes while the door is locking.



To unlock:

Press and hold the **Cancel** and **Cook & Hold** pads for three seconds. (Press the **Cancel** pad first.) OFF disappears from the display.

Note: The touchpads and oven door cannot be locked if the oven temperature is 400° F or above.

Fault Codes

BAKE or LOCK may flash rapidly in the display to alert you if there is an error or a problem. If BAKE or LOCK flash in the display, press **Cancel** pad. If BAKE or LOCK continue to flash, disconnect power to the appliance. Wait a few minutes, and then reconnect power. If the flashing still continues, disconnect power to the appliance and call an authorized servicer.



Oven Cooking

Baking

To set Bake:

1. Press the **Bake** pad.
 - BAKE will flash.
 - 000 will flash in the display.
2. Select the oven temperature. Press the **Autoset 0** pad for 350° F or the appropriate number pads.
 - Each additional press of the **Autoset 0** pad will increase the temperature by 25 degrees.
 - The oven temperature can be set from 170° to 550°.
3. Press **Bake** pad again or wait four seconds.
 - BAKE will stop flashing and light in the display.



- 100° or the actual oven temperature if over 100° F will display. It will rise in 5 degree increments until the preset temperature is reached.
4. Allow the oven to preheat for 8-15 minutes.
 - When the set oven temperature is reached, one long beep will sound.
 - The set temperature will display.
 - To recall set temperature during preheat, press **Bake** pad.
 5. Place food in the oven.
 6. Check cooking progress at the minimum cooking time. Cook longer if needed.
 7. When cooking is finished, press **Cancel** pad.
 8. Remove food from the oven.



Baking Notes

- **To change the oven temperature during cooking**, press **Bake** pad, then press the **Autoset 0** pad or appropriate number pads until the desired temperature is displayed.
- **To change the oven temperature during preheat**, press the **Bake** pad **twice**, then press the **Autoset 0** pad or appropriate number pads until the desired temperature is displayed.
- If you forget to turn off the oven, it will automatically turn off at the end of 12 hours. If you wish to deactivate this feature, see page 14.

Baking Differences Between Your Old and New Oven

It is normal to notice some baking time differences between a new oven and an old one. See "Adjusting the Oven Temperature" on page 15.

Baking and Roasting with Convection (select models)

When using convection, enter your normal baking temperature. The control will automatically reduce the set oven temperature by 25 degrees. The entered temperature will be displayed. **The convection fan will start after the oven has been on for approximately five minutes.**

To set Convection:

1. Press the **Convection** pad.
 - BAKE and the fan icon will flash.
 - 000 will flash in the display.
2. Select the oven temperature. Press the **Autoset 0** pad for 350° F or the appropriate number pads.
 - Each additional press of the Autoset 0 pad will increase the temperature by 25 degrees. The oven temperature can be set from 170° to 550°.



cont.



Oven Cooking

3. Press **Convect** pad again or wait four seconds.

- BAKE will stop flashing.
- 100° or the actual oven temperature if over 100° F will display. It will rise in 5 degree increments until the preset temperature is reached.
- The fan icon will start to rotate.



4. Allow the oven to preheat for 8-15 minutes.

- When the set oven temperature is reached, one long beep will sound.
- The set temperature will display.
- To recall the set temperature during preheat, press the **Convect** pad.



5. Place food in the oven.

6. Check cooking progress at the minimum cooking time. Cook longer if needed.

7. When cooking is finished, press **Cancel** pad.



8. Remove food from the oven.

Convect Roasting Notes

- Roasting times can vary with different cuts of meat.
- It is not necessary to preheat when convect roasting large cuts of meat.

Cook & Hold

When using the Cook & Hold option, the oven begins to heat immediately after the control has been set. Then, the oven cooks for a specified length of time. When that time has elapsed, the oven will keep the food warm for up to an hour then automatically turn off.

To set Cook & Hold:

1. Press the **Cook & Hold** pad.



- HOLD will flash to indicate that you are in Cook & Hold programming.
- 00:00 will flash in the display.

2. Select the amount of time you want to cook by using the number pads.

- HOLD continues to flash.
- The time will light in the display.
- Time can be set from ten minutes (00:10) to 11 hours, 59 minutes (11:59).

3. While HOLD is still flashing, press **Bake** or **Convect** and select the oven temperature. Press the **Autoset 0** pad for 350° F or the appropriate number pads.



- BAKE will flash.
- The oven temperature can be set from 170° F to 550° F.

4. Press **Bake** or **Convect** again OR wait four seconds.

- BAKE will remain lit.
- The cooking time will show in the display.
- The actual oven temperature will be displayed during preheat.
- The set temperature will display when the oven is preheated.

When the cooking time has elapsed:

- Four beeps will sound.
- HOLD and WARM will light.
- 170° will display.
- Time of day will display.



After one hour in HOLD WARM:

- The oven turns off automatically.
- HOLD and WARM go off.
- Remove food from oven.

To cancel Cook & Hold at any time:

Press the **Cancel** pad. Remove food from oven.





Oven Cooking

Delay Cook & Hold

! CAUTION

Do not use delayed baking for highly perishable foods such as dairy products, pork, poultry, or seafood.

When using Delay, the oven begins to cook later in the day. Set the amount of time that you want to delay before the oven turns on and how long you want to cook. The oven begins to heat at the selected time and cooks for the specified length of time.

Delay time can be set from 10 minutes (00:10) to 11 hours, 59 minutes (11:59).

To set a Delayed Cook & Hold cycle:

- Press the **Delay 1** pad.
 - DELAY flashes in the display.
 - 00:00 flashes in the display.
- Using the appropriate number pads, **enter the amount of time you want to delay** the start of the Cook & Hold cycle.
- Press the **Cook & Hold** pad.
 - HOLD and DELAY flash in the display.
 - 00:00 flashes in the display.
- Enter the amount of time you want to cook** using the number pads.
- Press **Bake** or **Convect** (select models).
- Set the oven temperature** desired by pressing the **Autoset 0** pad or the appropriate number pads.
 - 350° will light when **Autoset 0** pad is pressed.
 - After four seconds, the entered delay time will appear in the display.
 - HOLD turns off.
 - BAKE and DELAY remain lit to remind you that a delayed Cook & Hold cycle has been programmed.

Note:

- Do not use Delayed Cook & Hold for items that require a preheated oven, such as cakes, cookies, and breads.
- Do not use Delayed Cook & Hold if oven is already hot.

Keep Warm

For safely keeping hot foods warm in the oven or for warming breads and plates.

To set Keep Warm:

- Press the **Keep Warm** pad.
 - WARM flashes.
 - 000 flashes in the display.
- Select the Keep Warm temperature by pressing the **Autoset 0** pad or the appropriate number pads.
 - 170° will light when the **Autoset 0** pad is pressed.
 - Each press of the **Autoset 0** pad will increase the temperature by 5 degrees.

The Keep Warm temperature can be set from 145° to 190°.

WARM and the temperature will be displayed while the function is active.



To cancel Keep Warm:

- Press the **Cancel** pad.
- Remove food from the oven.

Keep Warm Notes

- For optimal food quality, oven cooked foods should be kept warm for no longer than 1 to 2 hours.
- To keep foods from drying, cover loosely with foil or a lid.
- To warm dinner rolls:**
 - cover rolls loosely with foil and place in oven.
 - press **Keep Warm** and **Autoset 0** pads.
 - warm for 12-15 minutes.
- To warm plates:**
 - place 2 stacks of up to four plates each in the oven.
 - press **Keep Warm** and **Autoset 0** pads.
 - warm for five minutes, turn off the oven and leave plates in the oven for 15 minutes more.
 - use only oven-safe plates, check with the manufacturer.
 - do not set warm dishes on a cold surface as rapid temperature changes could cause crazing or breakage.



Oven Cooking

Broiling

CAUTION

Use CAUTION when cooking with the Broil feature. The grease from fatty foods may ignite. If a fire should occur, close the oven door and turn the oven **OFF**. If the fire does not extinguish, DO NOT put water on the fire. Use baking soda, dry chemical or fire extinguisher to smother the fire.

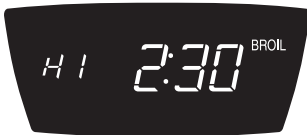
To set Broil:

- Press the **Broil** pad.
 - BROIL and SET flash in the display.
- Press the **Autoset 0** pad *once* to set HI broil or *twice* to set LO broil.
 - HI or LO will be displayed.
 - Select **HI broil** (550° F) for normal broiling. Select **LO broil** (450° F) for low-temperature broiling of longer cooking foods such as poultry.
- After four seconds, the oven will start.
 - BROIL will remain lit.
 - HI or LO will remain lit.

Broil



Autoset



- For optimum browning, preheat 2-3 minutes before adding food.
- Place food in the oven. Close the oven door.
- Turn meat once about halfway through cooking.
- When food is cooked, press the **CANCEL** pad. Remove food and broiler pan from the oven.
 - The time of day will reappear in the display.

Cancel

Broil Notes

- For best results when broiling, use a pan designed for broiling.
- HI is used for most broiling. Use LO broil when broiling longer cooking foods. The lower temperature allows food to cook to the well done stage without excessive browning.
- To change the oven temperature during broiling,** press the **Broil** pad, then the **Autoset 0** pad to switch between LO and HI broil.
- Broil times may be longer when the lower broiling temperature is selected.
- Most foods should be turned halfway through broiling time.

Broiling Chart

Preheat oven for 2-3 minutes.

FOODS	RACK POSITION*	DONENESS	TOTAL COOK TIME
Beef Steak, 1" thick	4	Medium	15 - 20 minutes
Hamburgers, 3/4" thick	4	Well Done	18 - 24 minutes
	4	Well Done	15 - 18 minutes
Pork Bacon	4	Well Done	6 - 10 minutes
Chops, 1"	4	Well Done	22 - 26 minutes
Ham - precooked slice, 1/2" thick	4	Warm	8 - 12 minutes
Poultry Chicken Pieces	3 or 4	Well Done	LO Broil 30 - 45 minutes
Seafood Fish Steaks, buttered, 1" thick	4	Flaky	10 - 15 minutes
Fillet, 1/2" thick	4	Flaky	8 - 12 minutes

* The top rack position is #5.

Note: This chart is a suggested guide. The times may vary with the food being cooked.



Oven Cooking

Automatic Shut-Off/ Sabbath Mode

The oven will automatically turn off after 12 hours if you accidentally leave it on. This safety feature can be turned off.

To cancel the 12-hour shut-off and run the oven continuously for 72 hours:

1. Press and hold the **Clock** pad for five seconds. **Clock**
 - SAb will be displayed and flash for five seconds.
 - SAb will then be displayed continuously until turned off or until the 72-hour time limit is reached.
 - BAKE will also be displayed if a bake cycle is in use while the oven is in Sabbath Mode.
 - *BAKE is the only function that operates during the Sabbath Mode. All other functions (Timer, Keep Warm, Clean, etc.) are locked out during the Sabbath Mode.*
 - A Cook & Hold can be programmed during the Sabbath Mode, however a Delay Cook & Hold is not allowed.

To cancel the Sabbath Mode:

1. Press the **Clock** pad for five seconds. **Clock**
 - SAb will flash for five seconds.
 - The time of day will return to the display.OR
2. After 72 hours, the Sabbath Mode will end.
 - SAb will flash for five seconds.
 - The time of day will return to the display.

Sabbath Mode Notes

- Sabbath Mode can be turned on at any time with or without the oven on.
- Sabbath Mode cannot be turned on if the touchpads are locked out or when the door is locked.
- Most prompts and messages and all beeps are deactivated when Sabbath Mode is active.
- If the oven is baking when Sabbath Mode is set, BAKE will go out when bake is canceled. There will be no audible beeps.
- The oven light will not automatically come on when the oven door is opened while the oven is in Sabbath Mode. If the oven light is desired while in Sabbath Mode, it must be turned on before the Sabbath Mode is started.
- When the Sabbath Mode is started, the temperature display will immediately show the set temperature, rather than the actual oven cavity temperature. No preheat beep will sound.
- The self-clean cycle and automatic door lock do not operate during the Sabbath Mode.
- Pressing **Cancel** pad will cancel a Bake cycle, however the control will stay in the Sabbath Mode.
- If power fails, the oven will power up in Sabbath Mode with 72 hours remaining and no cycle active.



Oven Cooking

Adjusting the Oven Temperature

Oven temperatures are carefully tested for accuracy at the factory. It is normal to notice some baking or browning differences between a new oven and an old one. As ovens get older, the oven temperature can shift.

You may adjust the oven temperature if you think the oven is not baking or browning correctly. To decide how much to change the temperature, set the temperature 25 degrees higher or lower than your recipe recommends, then bake. The results of the “test” should give you an idea of how much to adjust the temperature.

To adjust the oven temperature:

1. Press the **Bake** pad.
2. Enter 550° by pressing the appropriate number pads.
3. Press and hold the **Bake** pad for several seconds or until 0° appears in the display.

Bake

If the oven temperature was previously adjusted, the change will be displayed. For example, if the oven temperature was reduced by 15 degrees the display will show “-15”.

4. Press the **Autoset 0** pad to adjust the temperature.

Each time the **Autoset 0** pad is pressed, the temperature changes by 5 degrees. The oven temperature can be increased or decreased by 5 to 35 degrees.

Pressing the **Autoset 0** pad will first cycle through increasing the oven temperature (5, 10, . . . 35). Continuing to press the **Autoset 0** pad will then cycle through decreasing the oven temperature (-35, -30, . . . -5).

5. The time of day will automatically reappear in the display.

You do not need to readjust the oven temperature if there is a power failure or interruption. Temperature adjustment applies to Bake and Convection only. Broiling and cleaning temperatures cannot be adjusted.

Changing Temp °F/°C

1. The factory default setting for temperature is Fahrenheit.
2. To change the setting, press and hold the **Cancel** and **Bake** pads at the same time for three seconds.
3. A single beep will sound and the current setting will be displayed (°F or °C). (If no change is made, the range will return to the existing setting after 30 seconds.)
4. To change the setting, press the **Autoset 0** pad. Press again to return to existing setting. Wait five seconds and the setting will be complete.

Favorite

The Favorite pad allows you to save the time and temperature from a Cook & Hold function.

To set a Favorite cycle, a Cook & Hold function must be either active or just programmed.

To set a new Favorite cycle or to save a currently running Cook & Hold as a Favorite:

1. Program a Cook & Hold cycle as described in the Cook & Hold section on page 11.
2. Press and hold the **Favorite** pad for three seconds.
 - The newly set or currently running Cook & Hold cycle will be saved.
 - A beep will sound to indicate that the control has accepted the Favorite setting.

Favorite

To start a cycle programmed into Favorite:

1. Press the **Favorite** pad.
 - Time and temperature for the set Cook & Hold cycle will be displayed. (If no Cook & Hold cycle has been programmed, “nonE” is displayed.)
2. Press the **Bake** or **Convection** (select models) pad.
 - The Favorite cycle will begin immediately.
 - BAKE will light in the display.
 - The cooking time will light in the display.

When the cooking time has elapsed:

- BAKE will turn off.
- HOLD and WARM will light.
- 170° will display.

To cancel a Favorite cycle in progress:

1. Press the **Cancel** pad.
 - The stored Favorite cycle will not be affected.
2. Remove food from the oven.

Cancel



Oven Cooking

Pilotless Ignition

Your range is equipped with pilotless ignition. With this type of ignition system, the gas automatically shuts off and **the oven will not operate during a power failure.**

A lighted match will not light the oven burner. No attempt should be made to operate the oven during a power failure.

Oven Fans

A **convection fan** (select models) is used to circulate hot air in the oven when the convection feature is selected. It automatically turns on approximately five minutes after the **Convect** pad is pressed and will turn off when **Convect** is canceled.

A **cooling fan** will automatically turn on during all broiling and some baking operations. It is used to keep internal parts on the control panel cool. The fan will automatically turn off when parts have cooled. The fan may continue to operate after the oven has been turned off. This is normal.

Note: The convection fan will automatically stop when the oven door is opened.

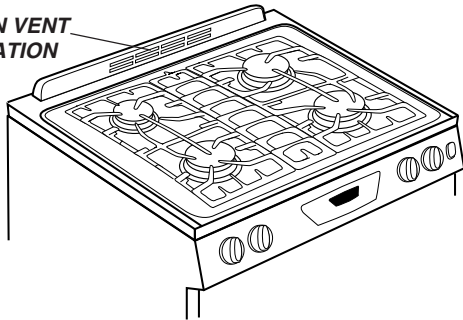
Oven Vent

When the oven is in use the area near the vent may become hot enough to cause burns. Never block the vent opening.

The oven vent is located at the rear of the cooking surface.

Do not place plastics near the vent opening as heat from the vent could distort or melt the plastic.

OVEN VENT
LOCATION



Oven Light

The oven light automatically comes on when the door is opened. When the door is closed, press the **Oven Light** pad to turn the oven light on and off. A beep will sound every time the Oven Light pad is pressed.

Oven
Light

Oven Bottom

Protect oven bottom against spillovers, especially acidic or sugary spills, as they may discolor the porcelain enamel. Use the correct pan size to avoid spillovers and boilovers. **Do not place utensils or aluminum foil directly on the oven bottom.**

Oven Racks

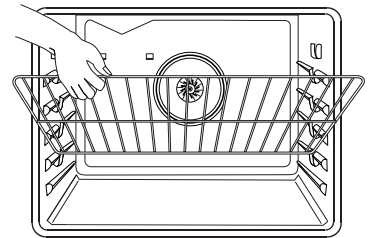
! CAUTION

- Do not attempt to change the rack position when the oven is hot.
- Do not use the oven for storing food or cookware.

The oven has three racks. All racks are designed with a lock-stop edge.

To remove:

1. Pull rack straight out until it stops at the lock-stop position.
2. Lift up on the front of the rack and pull out.



To replace:

1. Place rack on the rack supports in the oven.
2. Tilt the front end up slightly. Slide rack back until it clears the lock-stop position.
3. Lower front and slide back into the oven.

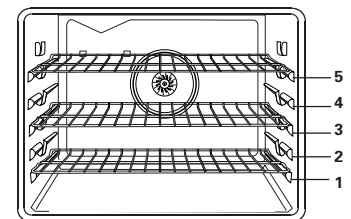
Never cover an entire rack with aluminum foil or place foil on the oven bottom. Baking results will be affected and damage may occur to the oven bottom.

Rack Positions

RACK 5: Use for broiling thin, non-fatty foods and for three-rack convection baking (select models).

RACK 4: Use for toasting bread, most broiling and two-rack baking.

RACK 3: Use for most baked goods on a cookie sheet or jelly roll pan, layer cakes, custard pies, frozen convenience foods, three-rack convection baking (select models) and most single-rack baking.



Three-rack Convection Baking (select models)



Oven Cooking

RACK 2: Use for fresh fruit pies, 9 x 13 cakes, roasting small cuts of meat, casseroles, baking loaves of bread, bundt cakes and, and two-rack baking.

RACK 1: Use for roasting large cuts of meat and poultry, frozen pies, dessert and savory souffles, angel food cake and three-rack convection baking (select models).

MULTIPLE RACK COOKING:

Two rack: Use rack positions 2 and 4, or 1 and 4. Stagger food to ensure proper air flow.

Three rack: (convection only, select models) Use rack positions 1, 3 and 5.

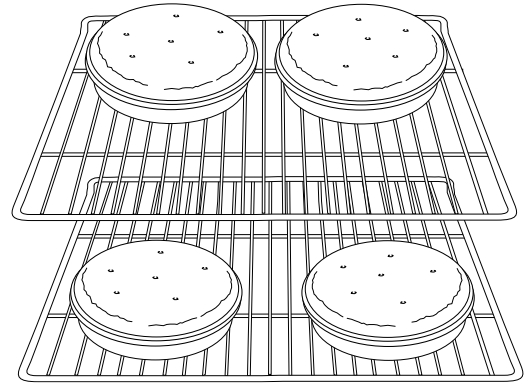
Notes:

- Food should be checked for doneness at minimum suggested bake time.
- Never place pans directly on the oven bottom.

Baking Layer Cakes on Two Racks

For best results when baking cakes on two racks, use racks 2 and 4 for regular baking and racks 1 and 4 for convection baking (select models).

Place the cakes on the rack as shown.



Self-Clean Oven

! CAUTION

- It is normal for parts of the range to become hot during a self-clean cycle.
- To prevent damage to oven door, do not attempt to open the door when LOCK is displayed.
- Avoid touching cooktop, door, window or oven vent area during a Clean cycle.
- Do not use commercial oven cleaners on the oven finish or around any part of the oven. They will damage the finish or parts.

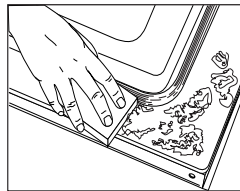
The self-clean cycle uses above-normal cooking temperatures to automatically clean the oven interior.

The oven should be cleaned regularly by wiping up spillovers to prevent excessive smoke and flare-ups. Do not allow a heavy build-up of soil to accumulate in the oven.

During the cleaning process, the kitchen should be well ventilated to get rid of normal odors associated with cleaning.

Before Self-Cleaning

1. Turn off the oven light before cleaning. The light may burn out during the clean cycle.
2. Remove all pans and oven racks from the oven. The oven racks will discolor and may not slide easily after a self-clean cycle if they are not removed.
3. Clean oven frame, door frame, area outside of gasket, and around the opening in the door gasket with a nonabrasive cleaner such as Bon Ami* or detergent and water. The self-cleaning process does not clean these areas. They should be cleaned to prevent soil from baking on during the clean cycle. (The gasket is the seal around the oven door and window.)
4. To prevent damage, do not clean or rub the gasket around the oven door. The gasket is designed to seal in heat during the clean cycle.
5. Wipe up excess grease or spillovers from the oven bottom. This prevents excessive smoking, flare-ups or flaming during the clean cycle.
6. Wipe up sugary and acidic spillovers such as sweet potatoes, tomato, or milk-based sauces. Porcelain enamel is acid-resistant, not acid-proof. The porcelain finish may discolor if acidic spills are not wiped up before a self-clean cycle.



To set Self-Clean:

Note: Oven temperature must be below 400° F to program a clean cycle.

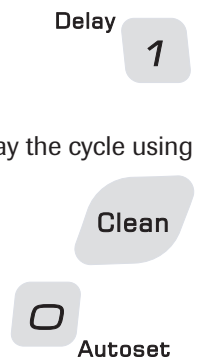
1. Close the oven door.
2. Press the **Clean** pad.
 - CLEAN flashes in the display.
 - SET flashes in the display.
3. Press the **Autoset 0** pad.
 - “MEd” (Medium Soil, 3 hours) is displayed.
4. Press the **Autoset 0** pad to scroll through the self-cleaning settings.
 - “HVy” (Heavy Soil, 4 hours)
 - “MEd” (Medium soil, 3 hours)
 - “LITE” (Light Soil, 2 hours)

Choosing the soil level of the oven automatically programs the self-cleaning time.
5. After four seconds, the oven will start cleaning.
 - If the door is not closed, beeps will sound and “door” will display. If the door is not closed within 30 seconds, the self-cleaning operation will be canceled and the display will return to the time of day.
 - CLEAN will appear in the display.
 - LOCK will flash in the display. Once the door locks, the word will remain steady.
 - The cleaning time will start counting down in the display.



To Delay a Self-Clean Cycle:

1. Press the **Delay 1** pad.
 - DELAY flashes.
 - 00:00 will flash in the display.
2. Enter the amount of time you want to delay the cycle using the appropriate number pads.
3. Press the **Clean** pad.
 - SET flashes in the display.
4. Press the **Autoset 0** pad.
 - “LITE” (Light soil level) is displayed.



cont.

* Brand names for cleaning products are registered trademarks of the respective manufacturers.



Care & Cleaning

5. Press the **Autoset 0** pad to scroll through the self-cleaning settings.



“HVy” (Heavy Soil, 4 hours)

“MEd” (Medium Soil, 3 hours)

“LITE” (Light Soil, 2 hours)

Choosing the soil level of the oven automatically programs the self-cleaning time.

6. After four seconds, CLEAN and DELAY will light and LOCK will flash in the display. When the oven door latches, LOCK will stop flashing and light continuously to show that the oven is set for a delayed clean operation. The delay time will display.



During the Self-Clean Cycle

When LOCK shows in the display, the door cannot be opened. To prevent damage to the door, do not force the door open when LOCK is displayed.

Smoke and Smells

You may see some smoke and smell an odor the first few times the oven is cleaned. This is normal and will lessen in time.

Smoke may also occur if the oven is heavily soiled or if a pan was left in the oven.

Sounds

As the oven heats, you may hear sounds of metal parts expanding and contracting. This is normal and will not damage the oven.

After Self-Cleaning

About one hour after the end of the self-clean cycle, LOCK will turn off. The door can then be opened.

Some soil may leave a light gray, powdery ash. Remove it with a damp cloth. If soil remains after wiping, that means the clean cycle was not long enough. The soil will be removed during the next clean cycle.

If oven racks were left in the oven and do not slide smoothly after a clean cycle, wipe racks and rack supports with a small amount of vegetable oil to make them easier to move.

Fine lines may appear in the porcelain because it went through heating and cooling. This is normal and will not affect performance.

A white discoloration may appear after cleaning if acidic or sugary foods were not wiped up before the self-clean cycle. This discoloration is normal and will not affect performance.

Notes

- If the oven door is left open, “door” will flash in the display and a signal will beep until the door is closed and the **Clean** pad is pressed again.
- If more than five seconds elapse between pressing the **Clean** pad and the **Autoset 0** pad, the program will automatically return to the previous display.
- The oven door will be damaged if the oven door is forced to open when LOCK is still displayed.

Cleaning Procedures

! CAUTION

- Be sure appliance is off and all parts are cool before handling or cleaning. This is to avoid damage and possible burns.
- To prevent staining or discoloration, clean appliance after each use.
- If a part is removed, be sure it is correctly replaced.

- * Brand names are registered trademarks of the respective manufacturers.
- ** To order call 1-877-232-6771 USA or 1-800-688-8408 Canada.

PART	PROCEDURE
Burner Caps and Sealed Gas Burners	<p>Removable Burner Caps</p> <ul style="list-style-type: none"> • Allow burner to cool. Remove burner cap and wash in soapy water with a plastic scouring pad. For stubborn soils, clean with a soap-filled, nonabrasive pad or Cooktop Cleaning Creme* (Part #2000001)** and a sponge. • Do not clean in the dishwasher or self-cleaning oven. <p>Sealed Gas Burners</p> <ul style="list-style-type: none"> • Clean frequently. Allow burner to cool. Clean with soap and plastic scouring pad. For stubborn soils, clean with a soap-filled, nonabrasive pad. Do not enlarge or distort holes. • Be careful not to get water into burner ports. • Use care when cleaning the ignitor. If the ignitor is wet or damaged the surface burner will not light.
Burner Grates - Porcelain on Cast Iron	<ul style="list-style-type: none"> • Wash with warm, soapy water and a nonabrasive, plastic, scrubbing pad. For stubborn soils, clean with a soap-filled, nonabrasive, plastic pad or Cooktop Cleaning Creme* (Part #2000001)** and a sponge. If soil remains, reapply Cooktop Cleaning Creme*, cover with a damp paper towel and soak for 30 minutes. Scrub again, rinse and dry. • Do not clean in the dishwasher or self-cleaning oven.
Clock and Control Pad Area	<ul style="list-style-type: none"> • To activate control lock for cleaning, see “Locking the Controls” page 9. • Wipe with a damp cloth and dry. Do not use abrasive cleaning agents as they may scratch the finish. • Glass cleaners may be used if sprayed on a cloth first. DO NOT spray directly on control pad and display area.
Control Knobs	<ul style="list-style-type: none"> • Remove knobs in the OFF position by pulling forward. • Wash, rinse and dry. Do not use abrasive cleaning agents as they may scratch the finish. • Turn on each burner to be sure the knobs have been correctly replaced.
Cooktop and Control Panel - Porcelain Enamel	<p>Porcelain enamel is glass fused on metal and may crack or chip with misuse. It is acid resistant, not acid proof. All spillovers, especially acidic or sugary spillovers, should be wiped up immediately with a dry cloth.</p> <ul style="list-style-type: none"> • When cool, wash with soapy water, rinse and dry. • Never wipe off a warm or hot surface with a damp cloth. This may cause cracking or chipping. • Never use oven cleaners, abrasive or caustic cleaning agents on exterior finish of range.
Storage Drawer and Door Handles - Painted Enamel	<ul style="list-style-type: none"> • When cool, wash with warm soapy water, rinse and dry. Never wipe a warm or hot surface with a damp cloth as this may damage the surface and may cause a steam burn. • For stubborn soil, use mildly abrasive cleaning agents such as baking soda paste or Bon Ami*. Do not use abrasive cleaners such as steel wool pads or oven cleaners. These products will scratch or permanently damage the surface. <p>Note: Use a dry towel or cloth to wipe up spills, especially acidic or sugary spills. Surface may discolor or dull if soil is not immediately removed. This is especially important for white surfaces.</p>

cont.



Care & Cleaning

PART	PROCEDURE
Oven Window and Door - Glass	<ul style="list-style-type: none"> • Avoid using excessive amounts of water which may seep under or behind glass causing staining. • Wash with soap and water. Rinse with clear water and dry. Glass cleaner can be used if sprayed on a cloth first. • DO NOT use abrasive materials such as scouring pads, steel wool or powdered cleaners as they will scratch glass.
Oven Interior	<ul style="list-style-type: none"> • Follow instructions on pages 18-19 to set a self-clean cycle.
Oven Racks	<ul style="list-style-type: none"> • Clean with soapy water. • Remove stubborn soil with cleansing powder or soap-filled scouring pad. Rinse and dry. • Racks will permanently discolor and may not slide out smoothly if left in the oven during a self-clean operation. If this occurs, wipe the rack and embossed rack supports with a small amount of vegetable oil to restore ease of movement, then wipe off excess oil.
Stainless Steel (select models)	<ul style="list-style-type: none"> • DO NOT USE ANY CLEANING PRODUCT CONTAINING CHLORINE BLEACH. • DO NOT USE ABRASIVE OR ORANGE CLEANERS. • ALWAYS WIPE WITH THE GRAIN WHEN CLEANING. • Daily Cleaning/Light Soil -- Wipe with one of the following - soapy water, white vinegar/water solution, Formula 409 Glass and Surface Cleaner* or a similar glass cleaner - using a sponge or soft cloth. Rinse and dry. To polish and help prevent fingerprints, follow with Stainless Steel Magic Spray* (Part No. 20000008)**. • Moderate/Heavy Soil -- Wipe with one of the following - Bon Ami*, Smart Cleanser,* or Soft Scrub* - using a damp sponge or soft cloth. Rinse and dry. Stubborn soils may be removed with a damp multi-purpose Scotch-Brite* pad; rub evenly with the grain. Rinse and dry. To restore luster and remove streaks, follow with Stainless Steel Magic Spray*. • Discoloration -- Using a damp sponge or soft cloth, wipe with Cameo Stainless Steel Cleaner*. Rinse immediately and dry. To remove streaks and restore luster, follow with Stainless Steel Magic Spray*.

* Brand names for cleaning products are registered trademarks of the respective manufacturers.

** To order direct, call 1-877-232-6771 USA or 1-800-688-8408 Canada.

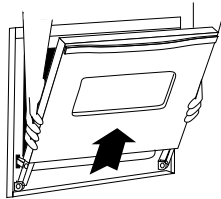
Oven Door

! CAUTION

- **Do not** place excessive weight on or stand on an open oven door. This could cause the range to tip over, break the door, or injure the user.
- Do not attempt to open or close door or operate oven until door is properly replaced.
- Never place fingers between hinge and front oven frame. Hinge arms are spring mounted. If accidentally hit, the hinge will slam shut against oven frame and could injure your fingers.

To remove:

1. When cool, open the oven door to the first stop position (opened about four inches).
2. Grasp door at each side. Do not use the door handle to lift door.
3. Lift up evenly until door clears hinge arms.



To replace:

1. Grasp door at each side.
2. Align slots in the door with the hinge arms on the range.
3. Slide the door down onto the hinge arms until the door is completely seated on the hinges. Push down on the top corners of the door to completely seat door on hinges. Door should not appear crooked.

Note: The oven door on a new range may feel “spongy” when it is closed. This is normal and will decrease with use.

Oven Window

To protect the oven door window:

1. Do not use abrasive cleaning agents such as steel wool scouring pads or powdered cleansers as they may scratch the glass.
2. Do not hit the glass with pots, pans, furniture, toys, or other objects.
3. Do not close the oven door until the oven racks are in place.

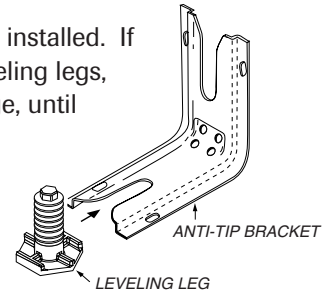
Scratching, hitting, jarring or stressing the glass may weaken its structure causing an increased risk of breakage at a later date.

Leveling Legs

! CAUTION

Be sure the anti-tip bracket secures one of the rear leveling legs to the floor. This bracket prevents the range from accidentally tipping.

Be sure the range is leveled when installed. If the range is not level, turn the leveling legs, located at each corner of the range, until range is level.



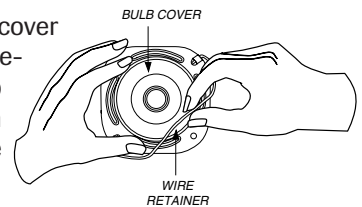
Oven Light (style varies by model)

! CAUTION

- Disconnect power to range before replacing light bulb.
- Allow oven to cool before replacing light bulb.
- Make sure bulb cover and bulb are cool before touching.

To replace oven light bulb:

1. When oven is cool, hold bulb cover in place, then slide wire retainer off cover. **Note:** Bulb cover will fall if not held in place while removing wire retainer.
2. Remove bulb cover and light bulb.
3. Replace with a 40-watt appliance bulb.
4. Replace bulb cover and secure with wire retainer.
5. Reconnect power to range. Reset clock.



OR

1. Use a dry potholder and very carefully unscrew bulb cover and bulb.
2. Replace with a 40 watt, oven-rated appliance bulb. Bulb with a brass base is recommended to prevent fusing of bulb into socket.
3. Replace bulb cover and reconnect power to range.
4. Reset clock.



Maintenance

Removal of Gas Appliance

Gas appliance connectors used to connect this appliance to the gas supply are not designed for continuous movement. Once installed, **DO NOT** repeatedly move this gas appliance for cleaning or to relocate. If this appliance has to be moved and/or removed for servicing, follow the procedure described in the installation instructions. For information, contact Amana Customer Assistance at 1-800-843-0304 USA or 1-866-587-2002 Canada.

To prevent range from accidentally tipping, range must be secured to the floor by sliding rear leveling leg into the anti-tip bracket.

Storage Drawer



Do not store plastic, paper products, food or flammable materials in this drawer. The drawer may become too warm for these items when the oven is in use.

The storage drawer can be removed to allow you to clean under the range.

To remove:

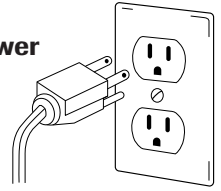
1. Empty drawer and pull out to the first stop position.
2. Lift up the front of the drawer.
3. Pull out to the second stop position.
4. Grasp sides and lift drawer up and out.

To replace:

1. Fit the ends of the drawer glides into the rails in the range.
2. Lift up the front of the drawer and gently push in to the first stop position.
3. Lift drawer up again and push until drawer is closed.

Electrical Connection

Appliances which require electrical power are equipped with a three-prong grounding plug which must be plugged directly into a properly grounded three-hole 120 volt electrical outlet.



Always disconnect power to appliance before servicing.

The three-prong grounding plug offers protection against shock hazards. **DO NOT CUT OR REMOVE THE THIRD GROUNDING PRONG FROM THE POWER CORD PLUG.**

If an ungrounded, two-hole or other type electrical outlet is encountered, **it is the personal responsibility of the appliance owner to have the outlet replaced with a properly grounded three-hole electrical outlet.**

Troubleshooting

PROBLEM	SOLUTION
For most concerns, try these first.	<ul style="list-style-type: none"> • Check if oven controls have been properly set. • Check to be sure plug is securely inserted into receptacle. • Check or re-set circuit breaker. Check or replace fuse. • Check power supply.
Surface burner fails to light.	<ul style="list-style-type: none"> • Check to be sure unit is properly connected to power supply. • Check for a blown circuit fuse or a tripped main circuit breaker. • Check to be sure ignitor is dry and clicking. Burner will not light if ignitor is damaged, soiled or wet. If ignitor doesn't click, turn control knob to OFF.
The flame is uneven.	<ul style="list-style-type: none"> • Burner ports may be clogged.
Surface burner flame lifts off ports.	<ul style="list-style-type: none"> • Check to be sure a pan is sitting on the grate above.
Baking results are not as expected or differ from previous oven.	<ul style="list-style-type: none"> • Check the oven temperature selected. Make sure oven is preheated when recipe or directions recommend preheat. • Make sure the oven vent has not been blocked. See page 16 for location. • Check to make sure range is level. • Temperatures often vary between a new oven and an old one. As ovens age, the oven temperature often “drifts” and may become hotter or cooler. See page 15 for instructions on adjusting the oven temperature. Note: It is not recommended to adjust the temperature if only one or two recipes are in question. • Use correct pan. Dark pans produce dark browning. Shiny pans produce light browning. • Check rack positions and pan placement. Stagger pans when using two racks. Allow 1-2 inches between pans and oven wall. • Check the use of foil in the oven. Never use foil to cover an entire oven rack. Place a small piece of foil on the rack below the pan to catch spillovers.
Food is not broiling properly or smokes excessively.	<ul style="list-style-type: none"> • Check oven rack positions. Food may be too close to flame. • Aluminum foil was incorrectly used. Never line the broiler insert with foil. • Trim excess fat from meat before broiling. • A soiled broiler pan was used. • Preheat oven for 2-3 minutes before placing food in the oven. • Broil with the oven door closed.
Oven will not self-clean.	<ul style="list-style-type: none"> • Check to make sure the cycle is not set for a delayed start. See pages 18-19. • Check if door is closed. • Check if control is in Sabbath Mode. See page 14. • Oven may be over 400° F. Oven temperature must be below 400° F to program a clean cycle.

Troubleshooting

PROBLEM	SOLUTION
Oven did not clean properly.	<ul style="list-style-type: none"> • Longer cleaning time may be needed. • Excessive spillovers, especially sugary and/or acidic foods, were not removed prior to the self-clean cycle.
Oven door will not unlock after self-clean cycle.	<ul style="list-style-type: none"> • Oven interior is still hot. Allow about one hour for the oven to cool after the completion of a self-clean cycle. The door can be opened when the LOCK indicator word is not displayed. • The control and door may be locked. See page 9.
Moisture collects on oven window or steam comes from oven vent.	<ul style="list-style-type: none"> • This is normal when cooking foods high in moisture. • Excessive moisture was used when cleaning the window.
There is a strong odor or light smoke when oven is turned on.	<ul style="list-style-type: none"> • This is normal for a new range and will disappear after a few uses. Initiating a clean cycle will “burn off” the odors more quickly. • Turning on a ventilation fan will help remove the smoke and/or odor. • Excessive food soils on the oven bottom. Use a self-clean cycle.
Fault Codes	<ul style="list-style-type: none"> • BAKE or LOCK may flash rapidly in the display to alert you if there is an error or a problem. If BAKE or LOCK appear in the display, press the Cancel pad. If BAKE or LOCK continue to flash, disconnect power to the appliance. Wait a few minutes, and then reconnect power. If the flashing still continues, disconnect power to the appliance and call an authorized servicer. • If the oven is heavily soiled, excessive flareups may result in a fault code during cleaning. Press the Cancel pad and allow the oven to cool completely, wipe out excess soil, then reset the clean cycle. If the fault code reappears, contact an authorized servicer.
Noises may be heard.	<ul style="list-style-type: none"> • The oven makes several low level noises. You may hear the oven relays as they go on and off. This is normal. • As the oven heats and cools, you may hear sounds of metal parts expanding and contracting. This is normal and will not damage your appliance. • A fan sound can be heard. This is the cooling fan and is normal. The fan will continue to run after use until the oven cools.
There are no beeps and no display.	<ul style="list-style-type: none"> • Oven may be in Sabbath Mode. See page 14.
SAb flashing and then displayed continuously.	<ul style="list-style-type: none"> • Oven is in Sabbath Mode. To cancel, press and hold the Clock pad for five seconds.

Notes



Warranty & Service

Warranty

Limited One Year Warranty - Parts and Labor

For **one (1) year** from the original retail purchase date, any part which fails in normal home use will be repaired or replaced free of charge.

Canadian Residents

The above warranties only cover an appliance installed in Canada that has been certified or listed by appropriate test agencies for compliance to a National Standard of Canada unless the appliance was brought into Canada due to transfer of residence from the United States to Canada.

*The specific warranties expressed above are the **ONLY** warranties provided by the manufacturer. These warranties give you specific legal rights, and you may also have other rights which vary from state to state.*

CUSTOMER'S SOLE AND EXCLUSIVE REMEDY UNDER THIS LIMITED WARRANTY SHALL BE PRODUCT REPAIR AS PROVIDED HEREIN. IMPLIED WARRANTIES, INCLUDING WARRANTIES OF MERCHANTABILITY OR FITNESS FOR A PARTICULAR PURPOSE, ARE LIMITED TO ONE YEAR OR THE SHORTEST PERIOD ALLOWED BY LAW. MAYTAG CORPORATION SHALL NOT BE LIABLE FOR INCIDENTAL OR CONSEQUENTIAL DAMAGES. SOME STATES AND PROVINCES DO NOT ALLOW THE EXCLUSION OR LIMITATION OF INCIDENTAL OR CONSEQUENTIAL DAMAGES, OR LIMITATIONS ON THE DURATION OF IMPLIED WARRANTIES OF MERCHANTABILITY OR FITNESS, SO THESE EXCLUSIONS OR LIMITATIONS MAY NOT APPLY TO YOU. THIS WARRANTY GIVES YOU SPECIFIC LEGAL RIGHTS AND YOU MAY ALSO HAVE OTHER RIGHTS, WHICH VARY STATE TO STATE OR PROVINCE TO PROVINCE.

What is Not Covered By These Warranties

1. Conditions and damages resulting from any of the following:
 - a. Improper installation, delivery, or maintenance.
 - b. Any repair, modification, alteration, or adjustment not authorized by the manufacturer or an authorized servicer.
 - c. Misuse, abuse, accidents, or unreasonable use, or acts of God.
 - d. Incorrect electric current, voltage, electrical and/ or gas supply.
 - e. Improper setting of any control.
2. Warranties are void if the original serial numbers have been removed, altered, or cannot be readily determined.
3. Light bulbs, water filters and air filters.
4. Products purchased for commercial or industrial use.
5. The cost of service or service call to:
 - a. Correct installation errors. For products requiring ventilation, rigid metal ducting must be used.
 - b. Instruct the user on the proper use of the product.
 - c. Transport the appliance to and from the servicer.
6. Any food loss due to refrigerator or freezer product failures.
7. Expenses for travel and transportation for product service in remote locations.
8. Outside of the United States and Canada this warranty does not apply. Contact your dealer to determine if another warranty applies.
9. Consequential or incidental damages sustained by any person as a result of any breach of these warranties. Some states do not allow the exclusion or limitation of consequential or incidental damages, so the above exclusion may not apply.

If You Need Service

First see the Troubleshooting section in your Use and Care Guide or call the dealer from whom your appliance was purchased or call Maytag Services, LLC, Customer Assistance at 1-800-688-9900 USA and 1-800-688-2002 Canada to locate an authorized servicer.

- Be sure to retain proof of purchase to verify warranty status. Refer to WARRANTY for further information on owner's responsibilities for warranty service.
- If the dealer or service company cannot resolve the problem, write to Maytag Services, LLC, Attn: CAIR® Center, P.O. Box 2370, Cleveland, TN 37320-2370, or call **1-800-688-9900 USA and 1-800-688-2002 Canada**. U.S. customers using TTY for deaf, hearing impaired or speech impaired, call 1-800-688-2080.
- User's guides, service manuals and parts information are available from Maytag Services, LLC, Customer Assistance.

Notes: When writing or calling about a service problem, please include:

- a. Your name, address and telephone number;
- b. Model number and serial number;
- c. Name and address of your dealer or servicer;
- d. A clear description of the problem you are having;
- e. Proof of purchase (sales receipt).

Amana[®]

Cuisinière

Guide d'utilisation et d'entretien



Instructions de sécurité importantes 29-33



Cuisson sur la surface 34-35

Commandes de la surface de cuisson
Brûleurs scellés



Cuisson dans le four 36-46

Cuisson courante
Cuisson et maintien
Cuisson et maintien différés
Maintien au chaud
Cuisson au gril
Grilles du four



Nettoyage 47-50

Four autonettoyant
Méthodes de nettoyage



Entretien 51-52

Hublot et lampe du four
Déplacement d'un appareil à gaz



Recherche des pannes 53-54



Garantie et service après-vente 55

Guía de Uso y Cuidado 56

Installateur : Remettez ce guide au propriétaire.

Consommateur : Veuillez lire le guide et le conserver pour consultation ultérieure. Conservez la facture d'achat ou le chèque encaissé comme preuve de l'achat.

Numéro de modèle _____

Numéro de série _____

Date d'achat _____

Si vous avez des questions, veuillez nous appeler :

Service à la clientèle

1-800-688-9900 É.-U.

1-800-688-2002 Canada

(lundi au vendredi, 8 h à 20 h, heure de l'Est)

Internet: <http://www.amana.com>

Dans le cadre de nos pratiques d'amélioration constante de la qualité et de la performance de nos produits de cuisson, des modifications de l'appareil qui ne sont pas mentionnées dans ce guide ont pu être introduites.

Reportez-vous à la page 55 pour plus d'informations concernant le service après-vente.



Instructions de sécurité importantes

Les instructions de sécurité importantes et les paragraphes « avertissement » de ce guide ne sont pas destinés à couvrir toutes les conditions et situations qui pourraient se présenter. Il faut faire preuve de bon sens, de prudence et de soin lors de l'installation, de l'entretien ou du fonctionnement de l'appareil.

Toujours prendre contact avec le fabricant dans le cas de problèmes ou de conditions qui ne seraient pas comprises.

Reconnaître les étiquettes, paragraphes et symboles sur la sécurité



AVERTISSEMENT

AVERTISSEMENT - Dangers ou pratiques dangereuses qui POURRAIENT résulter en de graves blessures ou même la mort.



ATTENTION

ATTENTION - Dangers ou pratiques dangereuses qui POURRAIENT résulter en des blessures mineures.

Lire toutes les instructions avant d'utiliser cet appareil; observer toutes les instructions pour éliminer les risques d'incendie, choc électrique, dommages matériels et corporels que pourrait susciter une utilisation incorrecte de l'appareil. Utiliser l'appareil uniquement pour les fonctions prévues, décrites dans ce guide.

Pour une utilisation adéquate et en sécurité, il faut que l'appareil soit convenablement installé par un technicien qualifié, et relié à la terre. Ne pas régler, réparer ni remplacer un composant, à moins que cela ne soit spécifiquement recommandé dans ce guide. Toute autre réparation doit être effectuée par un technicien qualifié. Demander à l'installateur de montrer où se trouve le robinet d'arrêt de gaz et comment le fermer en cas d'urgence.

Toujours débrancher l'appareil avant d'y faire de l'entretien.



AVERTISSEMENT

Si les directives données dans le présent guide ne sont pas respectées à la lettre, il y a risque d'incendie ou d'explosion pouvant causer des dommages, des blessures et même la mort.

- Ne pas ranger ni utiliser d'essence ou autre vapeur ou liquide inflammable à proximité de cet appareil ou de tout autre appareil.
- **QUE FAIRE SI L'ON SENT UNE ODEUR DE GAZ :**
 - Ne mettre aucun appareil en marche.
 - Ne pas toucher à un interrupteur électrique.
 - N'utiliser aucun téléphone de l'immeuble.
 - Se rendre chez un voisin et téléphoner immédiatement à la compagnie de gaz. Suivre les directives données par le préposé de la compagnie de gaz.
 - S'il est impossible de joindre la compagnie de gaz, téléphoner au service des incendies.
- L'installation et les réparations doivent être confiées à un installateur compétent, à une entreprise de service ou à la compagnie de gaz.



AVERTISSEMENT

Une fuite de gaz pourrait survenir dans le système et susciter une situation dangereuse. L'odorat peut ne pas suffire pour détecter une fuite de gaz. Les fournisseurs de gaz recommandent l'installation d'un détecteur de gaz (homologation UL). Installer et utiliser le détecteur conformément aux instructions du fabricant.



Instructions de sécurité importantes

Instructions générales

AVERTISSEMENT

- **TOUTE CUISINIÈRE PEUT BASCULER ET PROVOQUER DES BLESSURES.**
- **INSTALLER LA BRIDE ANTIBASCULEMENT FOURNIE AVEC CETTE CUISINIÈRE.**
- **RESPECTER TOUTES LES INSTRUCTIONS D'INSTALLATION.**



AVERTISSEMENT: Pour réduire le risque de basculement de l'appareil à l'occasion d'une utilisation anormale ou d'un chargement excessif de la porte du four, il faut que la bride antibasculement soit convenablement installée.

Utiliser une lampe torche pour déterminer si la bride antibasculement est convenablement installée sous la cuisinière: L'un des pieds arrière de réglage de l'aplomb doit être convenablement engagé dans la fente de la bride. Lorsque la cuisinière est convenablement calée, la bride antibasculement immobilise le pied arrière contre le sol. Vérifier la parfaite immobilisation de la cuisinière par la bride après **chaque** déplacement de la cuisinière.

Pour éviter un incendie ou des dommages par la fumée

S'assurer que tous les matériaux de conditionnement sont retirés de l'appareil avant de le mettre en marche.

Garder les matériaux combustibles, l'essence et autres matières et vapeurs inflammables bien éloignés de l'appareil.

Si l'appareil est installé près d'une fenêtre, des précautions appropriées doivent être prises pour éviter que le vent entraîne les rideaux au-dessus des brûleurs.

NE JAMAIS laisser des articles sur la table de cuisson. L'air chaud de l'évent peut les enflammer et mettre également sous pression des contenants fermés qui pourraient alors exploser.

De nombreux flacons d'aérosol peuvent **EXPLOSER** lorsqu'on les expose à la chaleur, et ils peuvent contenir un produit très inflammable. Éviter d'utiliser ou remettre un flacon d'aérosol à proximité de l'appareil.

De nombreux articles en plastique peuvent être détériorés par la chaleur. Conserver les articles en plastique à distance des

composants de l'appareil susceptibles de devenir tièdes ou chauds. Ne pas laisser des articles en plastique sur la table de cuisson; un article en plastique trop proche de l'évent du four ou d'un brûleur allumé pourrait s'amollir ou fondre.

Pour éliminer le besoin d'atteindre quelque chose par-dessus les brûleurs de surface, il est préférable qu'il n'y ait aucune armoire de cuisine directement au-dessus de l'appareil. S'il y a une armoire, on ne devrait y remettre que des articles peu fréquemment utilisés et capables de résister à la chaleur émise par l'appareil. La température pourrait être excessive pour certains articles, comme liquides volatils, produits de nettoyage ou flacons d'aérosol.

En cas d'incendie

Interrompre le fonctionnement de l'appareil et de la hotte de ventilation pour minimiser le risque d'extension des flammes. Éteindre les flammes, puis mettre la hotte en marche pour évacuer la fumée et l'air vicié.

- **Table de cuisson :** Utiliser un couvercle ou une plaque à biscuits pour étouffer les flammes d'un feu qui se déclare dans un ustensile de cuisine.

NE JAMAIS saisir ou déplacer un ustensile de cuisine enflammé.

- **Four :** Fermer la porte du four pour étouffer les flammes.

Ne pas projeter de l'eau sur un feu de graisse. Utiliser du bicarbonate de sodium ou un extincteur à mousse ou produit chimique sec pour éteindre les flammes.

Sécurité pour les enfants

ATTENTION

NE JAMAIS remettre sur le dossier d'une cuisinière ou dans une armoire au-dessus, des articles auxquels les enfants peuvent s'intéresser. Un enfant tentant de grimper sur la porte de l'appareil pour atteindre un objet pourrait subir de graves blessures.

NE JAMAIS laisser des enfants seuls ou sans supervision lorsque l'appareil est en service ou encore chaud.

NE JAMAIS laisser un enfant s'asseoir ou se tenir sur une partie quelconque de l'appareil. Il pourrait se blesser ou se brûler.

Il est important d'enseigner aux enfants que la cuisinière et les ustensiles placés dessus ou dedans peuvent être chauds. Laisser refroidir les ustensiles en un lieu sûr, hors d'atteinte



Instructions de sécurité importantes

des enfants. Il est important d'enseigner aux enfants qu'un appareil ménager n'est pas un jouet, et qu'ils ne doivent toucher aucune commande ou autre composant de l'appareil.

Familiarisation avec l'appareil

AVERTISSEMENT

NE JAMAIS utiliser la porte des fours comme tabouret/siège/escabeau; ceci pourrait faire basculer l'appareil et entraîner des dommages corporels sérieux.

NE JAMAIS utiliser la cuisinière comme source de chaleur pour le chauffage de la pièce. Sinon, un empoisonnement au monoxyde de carbone pourrait s'ensuivre ainsi qu'une surchauffe du four.

NE JAMAIS recouvrir les fentes, ouvertures ou passages de la sole de four ni la grille toute entière avec un matériau comme du papier d'aluminium. Sinon, la circulation de l'air dans le four sera entravée et donc entraîner un empoisonnement au monoxyde de carbone. Le papier d'aluminium peut aussi emprisonner de la chaleur et entraîner un risque d'incendie.

NE JAMAIS obstruer la circulation de l'air de combustion et de ventilation au niveau de l'évent de four ou des entrées d'air. Sinon, l'air ne parvient pas correctement aux brûleurs et donc cela peut poser un risque d'empoisonnement au monoxyde de carbone.

L'évent de four est situé à l'arrière de la surface de cuisson.

Évitez de toucher le voisinage de l'évent de four lorsque le four est utilisé et pendant plusieurs minutes après l'arrêt du four. Certains composants de l'évent et la zone voisine peuvent devenir suffisamment chauds pour provoquer des brûlures. Après l'arrêt du four, ne touchez pas l'évent de four ou la zone voisine avant que ces composants aient pu se refroidir suffisamment.

Autres surfaces potentiellement chaudes : table de cuisson, zones faisant face à la table de cuisson, évent de four, zones voisines de l'évent, porte de four et zones voisines de porte et de hublot.

Ne touchez pas l'ampoule chaude du four avec un linge humide; le choc thermique pourrait la briser. Si tel est le cas, débranchez l'appareil avant de retirer l'ampoule pour éviter une décharge électrique.

Ne pas remiser des aliments ou ustensiles de cuisine sur la table de cuisson ou dans le four.

Cuisson et sécurité

Placer toujours un ustensile sur un brûleur de surface avant de l'allumer. Veiller à bien connaître la correspondance entre les boutons de commande et les brûleurs. Veiller à allumer le brûleur correct et vérifier que le brûleur s'allume effectivement. À la fin de la période de cuisson, éteindre le brûleur avant de retirer l'ustensile, pour éviter une exposition aux flammes du brûleur.

Veiller à toujours ajuster correctement la taille des flammes pour qu'elles ne dépassent pas sur la périphérie de l'ustensile. Des flammes de trop grande taille sur un brûleur sont dangereuses, elles entraînent un gaspillage d'énergie et elles peuvent faire subir des dommages à l'ustensile, à l'appareil ou à l'armoire située au-dessus.

NE JAMAIS laisser un brûleur de surface allumé sans surveillance, particulièrement avec une puissance de chauffage élevée ou lors d'une opération de friture. Un débordement pourrait provoquer la formation de fumée et des produits gras pourraient s'enflammer. Éliminer dès que possible les produits gras renversés. Ne pas utiliser une puissance de chauffage élevée pendant une période prolongée.

NE JAMAIS faire chauffer un récipient non ouvert dans le four ou sur un brûleur de surface; l'accumulation de pression dans le récipient pourrait provoquer son éclatement et de graves dommages matériels ou corporels.

Utiliser des maniques robustes et sèches. Des maniques humides peuvent provoquer la formation de vapeur brûlante. Ne jamais utiliser un torchon à vaisselle ou autre article textile à la place de maniques; un tel article pourrait traîner sur un brûleur et s'enflammer, ou accrocher un ustensile ou un composant de l'appareil.

Laisser toujours refroidir un récipient d'huile de friture chaude avant de tenter de le déplacer et le manipuler.

Ne pas laisser la graisse de cuisson ou autre matériau inflammable s'accumuler dans ou près de l'appareil, de la hotte ou du ventilateur de l'évent. Nettoyer fréquemment la hotte pour empêcher toute accumulation sur la hotte elle-même ou sur le filtre. Lors du flambage d'aliments sous la hotte, mettre le ventilateur en marche.

NE JAMAIS porter, lors de l'utilisation de l'appareil, des vêtements faits d'un matériau inflammable, ou amples, ou à longues manches. De tels vêtements peuvent s'enflammer ou accrocher la poignée d'un ustensile.



Instructions de sécurité importantes

Placer toujours les grilles à la position appropriée dans le four lorsque le four est froid. Faire coulisser la grille vers l'extérieur avant d'ajouter ou enlever un plat; utiliser pour cela une manique robuste et sèche. Éviter d'introduire la main dans le four pour y placer ou retirer un plat. S'il est nécessaire de déplacer une grille lorsqu'elle est chaude, utiliser une manique sèche. Veiller à toujours arrêter le four à la fin d'une période de cuisson.

Ouvrir toujours la porte du four très prudemment. Laisser l'air chaud ou la vapeur s'échapper avant de retirer/introduire un plat.

AVERTISSEMENT : Mets préparés : Respecter les instructions du fabricant. Si le contenant ou le couvercle en plastique d'un mets surgelé se déforme ou est endommagé durant la cuisson, jeter immédiatement le récipient et son contenu. Les aliments pourraient être contaminés.

NE JAMAIS garnir la sole ou une grille du four avec de la feuille d'aluminium. Ceci pourrait susciter un risque de choc électrique ou d'incendie, ou une autre détérioration de l'appareil. Utiliser de la feuille d'aluminium uniquement selon les instructions de ce guide.

Ustensiles et sécurité

Utiliser des ustensiles à fond plat comportant une poignée qu'on peut facilement saisir et qui reste froide. Éviter d'utiliser un ustensile instable ou déformé, qui pourrait facilement basculer, ou dont la poignée est mal fixée. Éviter également d'utiliser des ustensiles de petite taille comportant une poignée lourde; ces ustensiles sont généralement instables et peuvent facilement basculer. Un ustensile lourd lorsqu'il est rempli peut également être dangereux lors des manipulations.

Veiller à utiliser un ustensile de taille suffisante pour que le contenu ne risque pas de déborder. Ceci est particulièrement important pour un ustensile rempli d'huile de friture. Vérifier que la taille de l'ustensile est suffisante pour qu'il puisse recevoir les produits alimentaires à cuire, et absorber l'augmentation de volume suscitée par l'ébullition de la graisse.

Pour minimiser les risques de brûlure, d'inflammation de matières et de renversement par contact non intentionnel avec un ustensile, ne pas orienter la poignée d'un ustensile vers un brûleur adjacent; orienter toujours la poignée d'un ustensile vers le côté ou l'arrière de l'appareil; ne pas laisser non plus la poignée d'un ustensile déborder à l'avant de l'appareil, où un jeune enfant pourrait facilement la saisir.

Veiller à ne jamais laisser le contenu liquide d'un ustensile s'évaporer complètement; l'ustensile et l'appareil pourraient subir des dommages.

Appliquer les instructions du fabricant lors de l'emploi d'un sachet pour cuisson au four.

Seuls certains matériaux en verre, vitrocéramique, céramique, ou certains ustensiles vitrifiés/émaillés peuvent être utilisés sur la table de cuisson ou dans le four sans risque de bris sous l'effet du choc thermique. Observer les instructions du fabricant lors de l'utilisation d'un ustensile en verre.

La sécurité de fonctionnement de cet appareil a été testée à l'aide d'ustensiles de cuisine conventionnels. Ne pas utiliser un ustensile ou accessoire qui n'est pas spécifiquement recommandé dans ce guide. Ne pas utiliser de couvre-brûleur, gril placé sur la table de cuisson ou système de convection additionnel. L'utilisation d'un dispositif ou accessoire qui n'est pas expressément recommandé dans ce guide peut dégrader la sécurité de l'appareil ou sa performance, ou réduire la longévité des composants.

Nettoyage et sécurité

Arrêter toutes les commandes et attendre le refroidissement de tous les composants avant de les toucher ou d'entreprendre le nettoyage. Ne pas toucher la grille d'un brûleur ou la zone voisine avant que ces composants aient pu suffisamment refroidir.

Exercer une grande prudence lors du nettoyage de l'appareil. Travailler prudemment pour éviter des brûlures par la vapeur en cas d'utilisation d'un chiffon ou d'une éponge humide lors de l'élimination d'un produit renversé sur une surface chaude. Certains produits de nettoyage peuvent générer des vapeurs nocives lorsqu'on les applique sur une surface chaude.

Four autonettoyant



ATTENTION

Avant d'effectuer un cycle d'autonettoyage, enlevez les grilles de four, la lèchefrite, la nourriture et tout autre ustensile présent dans le four. Essuyez les renversements pour prévenir la formation de fumée et de flammes excessives.

Nettoyer uniquement les pièces mentionnées dans ce guide. Ne pas nettoyer le joint de porte; le joint joue un rôle essentiel quant à l'étanchéité. Ne pas frotter, endommager ou déplacer le joint. Ne pas utiliser de produit de nettoyage du four dans le four autonettoyant ou sur les zones voisines.



Instructions de sécurité importantes

Il est normal que la surface de cuisson devienne chaude durant une opération d'autonettoyage; par conséquent, éviter de toucher la surface de cuisson durant l'autonettoyage.

Avertissement et avis important pour la sécurité

La loi californienne « Safe Drinking Water and Toxic Enforcement Act » de 1986 (proposition 65) stipule la publication par le gouverneur de la Californie d'une liste de substances que l'état de Californie considère comme cancérigènes ou dangereuses pour le système reproducteur, et impose aux entreprises commerciales l'obligation de signaler à leurs clients les risques d'exposition à de telles substances.

Les utilisateurs de cet appareil peuvent être exposés à une faible concentration de certaines substances figurant dans la liste mentionnée ci-dessus, dont benzène, formaldéhyde et suie, du fait de la combustion incomplète du gaz naturel ou du gaz de pétrole liquéfié. Pour minimiser la combustion

incomplète, veiller à ce que les brûleurs soient parfaitement réglés. Pour minimiser l'exposition à ces substances, veiller à bien évacuer les gaz de combustion à l'extérieur.

Nous informons les utilisateurs de cet appareil que lors d'une opération d'autonettoyage, ils peuvent être exposés à une faible concentration de certaines substances figurant dans la liste mentionnée ci-dessus, dont le monoxyde de carbone. Pour minimiser l'exposition, veiller à ce que la pièce où se trouve le four soit convenablement aérée durant une opération d'autonettoyage par l'ouverture d'une fenêtre ou d'une porte.

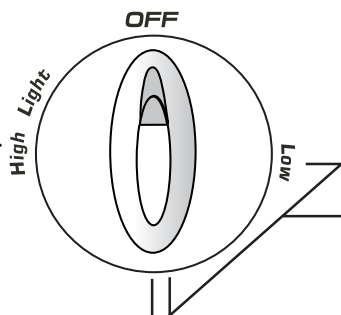
AVIS IMPORTANT - OISEAUX FAMILIERS : Les oiseaux ont un système respiratoire très sensible. Ne pas garder un oiseau familier dans la cuisine ou dans une pièce où il pourrait être exposé aux fumées. Les fumées émises durant une opération d'autonettoyage peuvent être dangereuses ou mortelles pour un oiseau, de même que les fumées émises lors du chauffage excessif de graisse, huile, margarine, et du chauffage excessif dans un ustensile à revêtement antiadhésif.

Conserver ces instructions pour consultation ultérieure



Cuisson sur la surface

High (Élevée) : S'utilise pour porter un liquide à ébullition ou atteindre la bonne pression dans un autocuiseur. Réduire ensuite la puissance de chauffage après le début de l'ébullition ou de la cuisson des aliments.



Medium to Low (Moyenne/faible) : S'utilise pour le mijotage ou le maintien de la température d'un mets. Lorsque le plat ou l'ustensile est couvert, un début de cuisson peut se produire avec la puissance de chauffage Low. Pour réduire la puissance de chauffage, tourner le bouton à la position **OFF** (Arrêt). Vérifier la stabilité des flammes sur le brûleur.

Une puissance de chauffage intermédiaire est utilisée pour la poursuite de la cuisson. Les aliments ne cuisent pas plus rapidement si on utilise une puissance de chauffage plus élevée que nécessaire pour le maintien d'une douce ébullition. L'eau bout toujours à la même température, que l'ébullition soit tranquille ou vigoureuse.

Commandes de la surface de cuisson

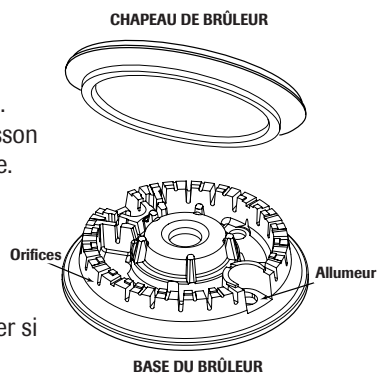
! ATTENTION

- Si un brûleur s'éteint durant une opération de cuisson, fermer l'arrivée de gaz au brûleur. Si une forte odeur de gaz est perceptible, ouvrir une fenêtre et attendre cinq minutes avant d'allumer de nouveau le brûleur.
- Avant d'ouvrir l'arrivée de gaz à la cuisinière, vérifier que chaque bouton de commande est à la position **OFF**.
- **NE JAMAIS** toucher la surface de cuisson avant qu'elle se soit complètement refroidie. Certaines zones de la surface, particulièrement au voisinage des brûleurs, peuvent devenir très chaudes durant une cuisson. Utiliser des maniques.

Allumage sans flamme de veille

Le dispositif d'allumage ne fait intervenir aucune flamme de veille. Chaque brûleur de la table de cuisson comporte un allumeur par étincelle. Travailler prudemment lors du nettoyage autour des brûleurs de la table de cuisson.

Si un brûleur de la table de cuisson ne s'allume pas, déterminer si l'allumeur est endommagé, sali ou mouillé.



Boutons de commande de la surface de cuisson

On utilise ces boutons pour commander l'allumage des brûleurs de surface. On peut régler chaque bouton à toute position entre les positions extrêmes Low (Basse) et High (Élevée). On peut percevoir une détente de calage à la position High. On peut choisir toute position de réglage entre les deux positions extrêmes.

Un graphique près de chaque bouton identifie le brûleur de surface commandé par ce bouton. Par exemple, le graphique à droite identifie le brûleur avant/gauche.



Réglage des commandes:

La puissance de chauffage à employer dépend du type et de la taille de l'ustensile utilisé.

1. Placer un ustensile sur la grille du brûleur.
 - Si aucun ustensile n'est placé sur la grille du brûleur, les flammes peuvent avoir tendance à se séparer du brûleur.
2. Appuyer et tourner le bouton dans le sens anti-horaire, jusqu'à la position **Light** (Allumage).
 - On peut percevoir le cliquetis correspondant à la production des étincelles, et le brûleur s'allume. (Tous les allumeurs produisent des étincelles lorsqu'on place le bouton de l'un des brûleurs à la position **Light**.)
3. Après l'allumage du brûleur, régler la taille des flammes selon le désir en tournant le bouton de commande.
 - L'allumeur continue à produire des étincelles aussi longtemps que le bouton est à la position **Light**.

Utilisation durant une panne d'électricité

! ATTENTION

Avant d'allumer un brûleur de surface, vérifier que tous les boutons de commande sont à la position **OFF**. Approcher l'allumette enflammée du brûleur avant de faire tourner le bouton jusqu'à la position **Light**.

1. Approcher une allumette enflammée du brûleur à utiliser.
2. Enfoncer et faire tourner lentement le bouton de commande jusqu'à la position **Light**.
3. Ajuster les flammes à la taille désirée.

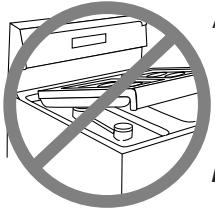


Cuisson sur la surface

Surface de cuisson

Pour éviter la formation de taches ou un changement de couleur de la surface de cuisson :

- Nettoyer la surface de cuisson après chaque utilisation.
- Enlever les résidus renversés de produits acides ou sucrés dès que la surface de cuisson a refroidi; ces produits renversés peuvent faire changer la couleur de l'émail.



À la différence d'une cuisinière dotée de brûleurs à gaz standard, la surface de cuisson de cette cuisinière n'est pas amovible ou relevable. **Ne pas tenter de relever la surface de cuisson, quelle qu'en soit la raison.**

Brûleurs scellés

Les brûleurs scellés de la cuisinière sont fixés sur la surface de cuisson; ils ne sont pas conçus pour être enlevés. Comme les brûleurs sont scellés, un produit qui déborde d'un ustensile ne s'infiltrera pas sous la surface de cuisson.

On devrait cependant nettoyer la chapeau du brûleur et la base du brûleur après chaque utilisation. La chapeau du brûleur s'enlève facilement pour être nettoyée. (Voir les instructions de nettoyage à la page 49.)

Pour le bon fonctionnement du brûleur, le chapeau de brûleur doit être correctement placé sur la base du brûleur.

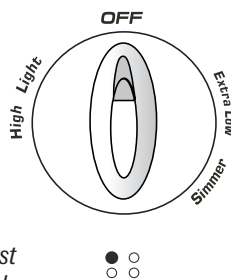
Brûleur de haute performance (16,000 BTU*)

Cette cuisinière est dotée d'un brûleur à haute vitesse, placé à l'avant droit. Ce brûleur permet une cuisson rapide qui peut servir à faire bouillir rapidement de l'eau ou à cuire une grande quantité d'aliments.

Brûleur de mijotage

Ce brûleur est situé à la position arrière gauche. Le brûleur de mijotage dispose de position Extra Low (Très basse) avec des flammes d'une puissance plus faible en BTU* pour la fusion de chocolat ou de beurre.

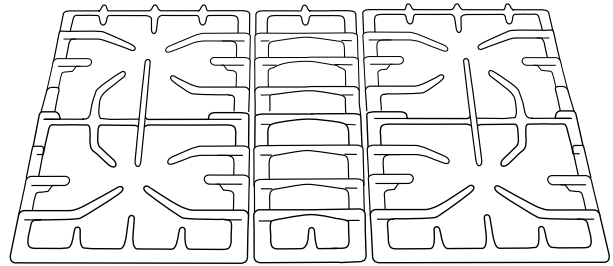
* La puissance thermique (BTU) des brûleurs est différente lors de l'alimentation au gaz de pétrole liquéfié.



Grilles de brûleur

Avant une opération de cuisson, vérifier que la grille est correctement placée. Lors de l'installation des grilles, placer l'extrémité avec pattes vers le centre, au niveau des barres droites.

Une grille de brûleur incorrectement installée peut écailler l'émail de la surface de cuisson.



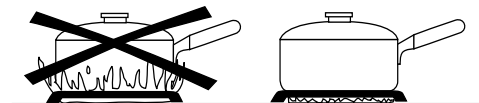
Ne pas faire fonctionner un brûleur sans qu'un ustensile soit placé sur la grille. L'émail de la grille peut s'écailler s'il n'y a aucun ustensile capable d'absorber la chaleur émise par le brûleur.

Travailler prudemment lorsqu'il faut remuer des aliments dans un ustensile placé sur la grille de brûleur. Les grilles comportent un fini lisse qui facilite le nettoyage. L'ustensile peut glisser sur la grille si on ne tient pas fermement la poignée; ceci pourrait provoquer un renversement d'aliments chauds, et susciter un risque de brûlure.

Même si les grilles de brûleur sont très durables, elles perdront progressivement leur lustre et changeront de couleur, du fait des températures élevées auxquelles les brûleurs les exposent.

Remarques

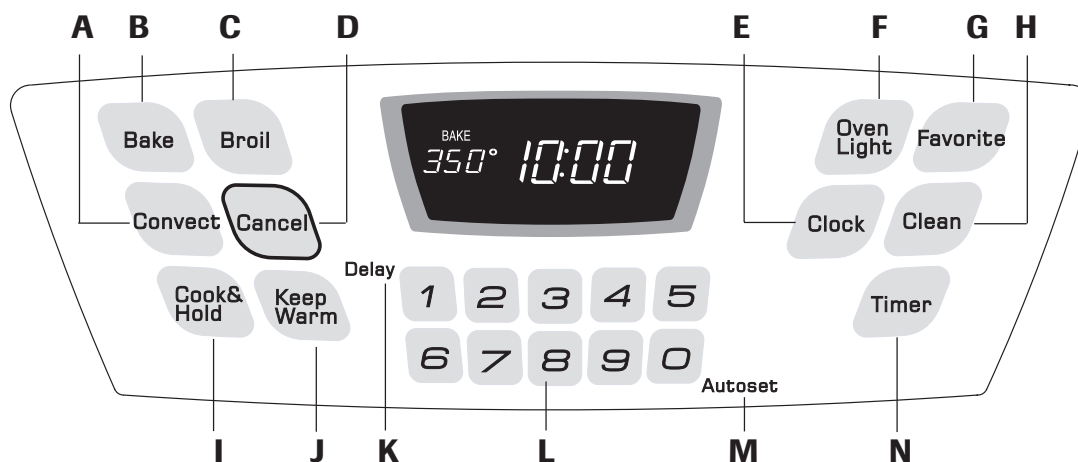
- Un brûleur convenablement réglé et dont les orifices sont propres s'allume en quelques secondes. Lors de l'alimentation au gaz naturel les flammes sont bleues, avec un cône interne bleu intense.
Si les flammes d'un brûleur sont jaunes ou si la combustion est bruyante, le ratio air/gaz peut être incorrect. Demander à un technicien d'effectuer le réglage. (La garantie ne couvre pas ce réglage.)
Lors de l'alimentation au gaz de pétrole liquéfié, il est acceptable que l'extrémité des flammes soit jaune. Ceci est normal; aucun réglage n'est nécessaire.
- Avec certains types de gaz, on peut percevoir un petit bruit d'explosion lors de l'extinction d'un brûleur de surface. Ceci est normal.
- Si on fait passer rapidement le bouton de commande de la position **High** (Élevée) à la position **Low** (Basse), les flammes peuvent s'éteindre, particulièrement si le brûleur est froid. Si ceci se produit, placer le bouton de commande à la position **OFF** (Arrêt) et attendre quelques secondes avant d'allumer de nouveau le brûleur.
- Ajuster la puissance de chauffage de telle manière que les flammes ne débordent pas à la périphérie de l'ustensile.





Cuisson dans le four

Tableau de commande



Le tableau de commande est conçu pour faciliter la programmation. La fenêtre d'affichage indique l'heure, les fonctions avec minuterie et fonctions du four. Le tableau de commande représenté comprend la caractéristiques spécifiques au modèle. (Le style peut varier selon le modèle.)

A	Convection (certains modèles)	S'utilise pour la cuisson courante ou le rôtissage avec convection.
B	Cuisson courante	S'utilise pour la cuisson courante et le rôtissage.
C	Gril	S'utilise pour la cuisson au gril et le rissolage sur partie supérieure.
D	Annuler	Annule toutes les opérations sauf minuterie et horloge.
E	Horloge	S'utilise pour programmer l'heure du jour.
F	Lampe du four	S'utilise pour allumer ou éteindre la lumière du four.
G	Favori	S'utilise pour programmer et sauvegarder une méthode particulière de cuisson et maintien.
H	Nettoyage	S'utilise pour programmer le cycle d'autonettoyage.
I	Cuisson et maintien	Pour cuire pendant une durée préétablie, avec maintien au chaud pendant une heure.
J	Maintien au chaud	S'utilise pour maintenir au chaud dans le four les aliments cuits.
K	Démarrage différé	Programme le four pour débiter une cuisson ou un nettoyage plus tard.
L	Touches numériques	S'utilisent pour programmer températures et durées.
M	Programmation automatique	S'utilise pour programmer rapidement les températures.
N	Minuterie	Programme la minuterie.

Utilisation des touches

- Appuyer sur la touche désirée.
- Appuyer sur les touches numériques pour entrer la durée ou la température.
- Appuyer sur la touche **Autoset 0** (Programmation automatique) pour entrer la température.
- Un bip retentit lorsque l'on appuie sur une touche.
- Un double bip retentit en cas d'erreur de programmation.

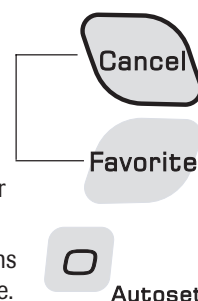
Remarque : Quatre secondes après avoir entré les chiffres ou le touche **Autoset 0**, la durée ou la température seront automatiquement enregistrées. Si plus de 30 secondes s'écoulent entre la pression sur une touche de fonction et celle sur les touches numériques ou la touche **Autoset 0**, la fonction est annulée et l'afficheur revient à l'affichage précédent.

Horloge

L'horloge peut être programmée pour afficher la durée dans un format de 12 ou 24 heures. L'horloge est programmée en usine pour un format de 12 heures.

Changement de l'horloge à un format de 24 heures :

1. Appuyer sur les touches **Cancel** (Annuler) et **Favorite** (Favori) et maintenir la pression pendant trois secondes.
 - 12 Hr clignote à l'afficheur.
2. Appuyer sur la touche **Autoset 0** pour sélectionner 24 Hr; appuyer de nouveau pour choisir 12 Hr.
3. Programmer l'heure en suivant les instructions données dans la section Réglage de l'horloge.





Cuisson dans le four

Réglage de l'horloge

- Appuyer sur la touche **Clock** (Horloge).
 - L'heure clignote à l'afficheur.
- Appuyer sur les touches numériques appropriées pour programmer l'heure du jour.
 - Deux points clignotent à l'afficheur.
- Appuyer à nouveau sur la touche **Clock** ou attendre quatre secondes.
 - Les deux points restent.

Clock

Lorsque le courant électrique arrive ou après une interruption de courant, la dernière heure avant l'interruption de courant va clignoter.

Pour rappeler l'heure du jour lorsqu'une autre fonction de durée s'affiche, appuyer sur la touche **Clock**.

L'heure de l'horloge ne peut être changée lorsque le four a été programmé pour une cuisson ou un nettoyage différé ou pour la fonction de cuisson et maintien.

Annulation de l'affichage de l'heure :

Si l'on ne désire pas l'affichage de l'heure du jour :

Appuyer sur les touches **Cancel** (Annuler) et **Clock** et les maintenir ainsi pendant trois secondes. L'heure du jour disparaît de l'afficheur.

Lorsque l'affichage de l'heure est annulé, appuyer sur la touche **Clock** pour afficher brièvement l'heure du jour.

Lorsque l'affichage de l'heure est annulé, après 15 minutes, le four passe en mode Attente pour économiser de l'énergie. L'afficheur sera vierge et l'éclairage du four ne fonctionnera pas. Pour « réveiller » les commandes à partir du mode attente, appuyer sur n'importe quelle touche. Un double bip retentira.

Réaffichage de l'heure :

Appuyer sur les touches **Cancel** et **Clock** et les maintenir ainsi pendant trois secondes. L'heure du jour réapparaît à l'afficheur.

Minuterie

La minuterie peut être programmée de une minute (0:01) jusqu'à 99 heures et 59 minutes (99:59).

La minuterie peut être utilisée indépendamment de toute autre activité du four. Elle peut être aussi programmée alors qu'une autre fonction du four est en cours d'utilisation.

La minuterie ne commande pas le four. Elle ne sert qu'à émettre des bips.

Programmation de la minuterie :

- Appuyer sur la touche **Timer** (Minuterie).
 - 0:00 et le mot TIMER clignotent à l'afficheur.

Timer

- Appuyer sur les touches numériques appropriées jusqu'à ce que l'heure juste paraisse à l'afficheur.
 - Les deux points et le mot TIMER continuent à clignoter.
- Appuyer à nouveau sur la touche **Timer** ou attendre quatre secondes.
 - Les deux points s'arrêtent de clignoter et le décompte de la durée commence.
 - La dernière minute du décompte sera affichée sous forme de secondes.
- À la fin de la durée programmée, un bip long retentit et le mot End (Fin) sera affiché.
- Appuyer sur la touche **Timer** pour effacer l'afficheur.

Annulation de la minuterie :

- Appuyer sur la touche **Timer** et la maintenir ainsi pendant trois secondes.

OU
- Appuyer sur la touche **Timer** et sur la touche numérique « 0 ».

Timer

0

Verrouillage des commandes et de la porte du four

La porte du four et les touches peuvent être verrouillées pour des raisons de sécurité, nettoyage ou pour empêcher toute utilisation non souhaitée. Les touches ne fonctionneront pas si elles sont verrouillées.

Si le four est en cours d'utilisation, les touches et la porte ne peuvent être verrouillées.

L'heure actuelle du jour restera à l'afficheur lorsque les touches et la porte seront verrouillées.

Verrouillage :

Appuyer sur les touches **Cancel** et **Cook & Hold** et les maintenir ainsi pendant trois secondes. (Appuyer d'abord sur la touche **Cancel**.)

- OFF (Arrêt) paraît à l'afficheur.
- Le mot LOCK (Verrouillage) clignote lorsque la porte est en cours de verrouillage.

Cancel

Cook & Hold

Déverrouillage :

Appuyer sur les touches **Cancel** et **Cook & Hold** et les maintenir ainsi pendant trois secondes. (Appuyer d'abord sur la touche **Cancel**.) Le mot OFF disparaît de l'afficheur.

Remarque : La porte du four et les touches ne peuvent être verrouillées si la température du four est de 205 °C (400 °F) ou plus.



Cuisson dans le four

Codes d'anomalie

Les mots BAKE (Cuisson Courante) ou LOCK (Verrouillage) peuvent clignoter rapidement à l'afficheur pour prévenir en cas d'erreur ou de problème. Si tel est le cas, appuyer sur la touche **Cancel** (Annuler). Si les mots BAKE ou LOCK continuent à clignoter, débrancher l'appareil. Attendre quelques minutes, puis rebrancher l'appareil. Si un des mots continue à clignoter, débrancher l'appareil et prendre contact avec un réparateur autorisé.

Cuisson courante

Programmation de la cuisson courante :

- Appuyer sur la touche **Bake**.
 - Le mot BAKE clignote.
 - 000 clignote à l'afficheur.
- Sélectionner la température du four. Appuyer sur la touche **Autoset 0** (Programmation automatique) pour 175 °C (350 °F) ou sur les touches numériques appropriées.
 - Chaque pression additionnelle de la touche **Autoset 0** augmente la température de 15 °C (25 °F).
 - La température peut être programmée de 75 à 285 °C (170 à 550 °F).
- Appuyer de nouveau sur la touche **Bake** ou attendre quatre secondes.
 - Le mot BAKE s'arrête de clignoter et s'allume à l'afficheur.

Bake



Autoset



- 38° (100°) ou la température réelle du four, si la température est de plus de 38 °C (100 °F), sera affichée. Elle augmentera par intervalle de 3 °C (5 °F) jusqu'à ce que la température préprogrammée soit atteinte.
- Laisser le four préchauffer pendant 8 à 15 minutes.
 - Lorsque la température programmée pour le four est atteinte, un bip long retentit.
 - La température programmée s'affiche.
 - Pour rappeler la température programmée pendant le préchauffage, appuyer sur la touche **Bake**.
 - Placer la nourriture dans le four.
 - Vérifier l'avancement de la cuisson à la durée minimale de cuisson. Cuire plus longtemps au besoin.
 - Lorsque la cuisson est terminée, appuyer sur la touche **Cancel**.
 - Retirer la nourriture du four.

Cancel

Remarques sur la cuisson courante au four

- Pour changer la température du four pendant la cuisson**, appuyer sur **Bake**, puis sur la touche **Autoset 0** ou les touches numériques appropriées jusqu'à ce que la température désirée soit affichée.
- Pour changer la température du four lors du préchauffage**, appuyer **deux fois** sur la touche **Bake**, puis sur la touche **Autoset 0** ou sur les touches numériques appropriées jusqu'à ce que la température désirée soit affichée.
- Si l'on oublie d'arrêter le four, il s'arrêtera automatiquement après 12 heures. Si l'on désire désactiver cette fonction, voir page 43.

Différences de cuisson entre l'ancien four et le nouveau

Il est normal de remarquer quelques différences dans la durée de cuisson entre un four neuf et un four ancien. Voir Ajustement de la température du four à la page 44.

Cuisson courante et rôtissage avec convection (certains modèles)

Pour la cuisson avec convection, entrer la température de cuisson normale. La commande réduit automatiquement la température programmée de 15 °C (25 °F). La température entrée sera affichée. **Le ventilateur de convection se met en marche une fois que le four a fonctionné pendant environ cinq minutes.**

Programmation de la cuisson avec convection :

- Appuyer sur la touche **Convect**.
 - Le mot BAKE et l'icône ventilateur clignotent.
 - 000 clignote à l'afficheur.
- Sélectionner la température du four. Appuyer sur la touche **Autoset 0** pour 175 °C (350 °F) ou sur les touches numériques appropriées.
 - Chaque pression additionnelle sur la touche **Autoset 0** augmente la température de 15 °C (25 °F). La température du four peut être programmée de 75 à 285 °C (170 à 550 °F).

Convect



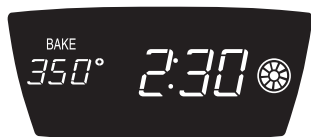
Autoset

suite . . .



Cuisson dans le four

- Appuyer à nouveau sur la touche **Convect** (Convection) ou attendre quatre secondes.
 - Le mot BAKE (Cuisson courante) s'arrête de clignoter.
 - 38° (100°) ou la température réelle du four, si la température est de plus de 38 °C (100 °F), sera affichée. Elle augmentera par intervalle de 3 °C (5 °F) jusqu'à ce que la température préprogrammée soit atteinte.
 - L'icône ventilateur se met à tourner.
- Laisser le four préchauffer pendant 8 à 15 minutes.
 - Lorsque la température programmée pour le four est atteinte, un bip long retentit.
 - La température programmée s'affiche.
 - Pour rappeler la température programmée pendant le préchauffage, appuyer sur la touche **Convect**.



- Placer la nourriture dans le four.
- Vérifier l'avancement de la cuisson à la durée minimale de cuisson. Cuire plus longtemps au besoin.
- Lorsque la cuisson est terminée, appuyer sur la touche **Cancel** (Annuler).
- Retirer la nourriture du four.



Remarques sur la rôtissage avec convection

- Les durées de rôtissage peuvent varier selon les coupes de viande.
- Il n'est pas nécessaire de préchauffer lors du rôtissage avec convection de gros morceaux de viande.

Cuisson et maintien

Lors de l'utilisation de l'option Cook & Hold (Cuisson et maintien), le four se met à chauffer immédiatement une fois que la commande a été programmée. Puis, le four cuit pendant la durée spécifiée. Lorsque cette durée s'est écoulée, le four maintient la nourriture au chaud pendant une heure au maximum, puis s'éteint automatiquement.

Programmation de Cuisson et maintien :

- Appuyer sur la touche **Cook & Hold**.
 - Le mot HOLD (Maintien) clignote pour indiquer que la programmation de cuisson et maintien est en cours.
 - 00:00 clignote à l'afficheur.
- Sélectionner la durée désirée de cuisson en utilisant les touches numériques.
 - Le mot HOLD continue à clignoter.
 - La durée s'allume à l'afficheur.
 - La durée peut être réglée de 10 minutes (00:10) à 11 heures et 59 minutes (11:59).
- Alors que le mot HOLD clignote, appuyer sur la touche **Bake** ou **Convect** et sélectionner la température du four. Appuyer sur la touche **Autoset 0** (Programmation automatique) pour 175 °C (350 °F) ou sur les touches numériques appropriées.
 - Le mot BAKE clignote.
 - La température du four peut être programmée de 75 à 285 °C (170 à 550 °F).
- Appuyer à nouveau sur la touche **Bake** ou **Convect** OU attendre quatre secondes.
 - Le mot BAKE reste allumé.
 - La durée de cuisson paraît à l'afficheur.
 - La température réelle du four sera affichée pendant le préchauffage.
 - La température programmée s'affiche lorsque le four est préchauffé.

Cook & Hold

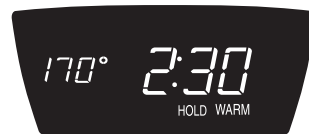
Bake



Autoset

Lorsque la durée de cuisson s'est écoulée :

- Quatre bips retentissent.
- Les mots HOLD et WARM (Chaud) s'allument.
- 75° (170°) paraît à l'afficheur.
- L'heure du jour paraît à l'afficheur.





Cuisson dans le four

Après une heure de MAINTIEN AU CHAUD :

- Le four s'éteint automatiquement.
- Les mots HOLD (Maintien) et WARM (Chaud) s'éteignent.
- Retirer la nourriture du four.

Annulation de Cook & Hold à tout moment :

Appuyer sur la touche **Cancel** (Annuler). Retirer la nourriture du four.



Cuisson et maintien différés



ATTENTION

Ne pas utiliser la cuisson différée pour des denrées très périssables comme les produits laitiers, le porc, la volaille ou les fruits de mer.

Avec la fonction différée, le four se met à cuire plus tard dans la journée. Programmer la durée d'attente désirée avant que le four ne se mette en marche et la durée de cuisson désirée. Le four commence à chauffer à l'heure sélectionnée et cuit pour la durée spécifiée.

La durée d'attente peut être programmée de 10 minutes (00:10) à 11 heures et 59 minutes (11:59).

Programmation d'un cycle de cuisson et maintien différés :

1. Appuyer sur la touche Delay 1 (Une Différés).
 - Le mot **Delay 1** clignote à l'afficheur.
 - 00:00 clignote à l'afficheur.
2. À l'aide des touches numériques appropriées, **entrer la durée d'attente avant que ne débute** le cycle de cuisson et maintien.
3. Appuyer sur la touche **Cook & Hold**.
 - Les mots HOLD et DELAY clignotent à l'afficheur.
 - 00:00 clignote à l'afficheur.

Delay

1



4. **Entrer la durée désirée de cuisson** à l'aide des touches numériques.

5. Appuyer sur la touche **Bake** (Cuisson courante) ou **Convect** (Convection, certains modèles).

Bake

6. **Programmer la température du four** désirée en appuyant sur la touche **Autoset 0** (Programmation automatique) ou sur les touches numériques appropriées.



Autoset

- 175° (350°) s'allume lorsque l'on appuie sur la touche **Autoset 0**.
- Après quatre secondes, la durée d'attente entrée paraît à l'afficheur.
- Le mot HOLD s'éteint.
- Les mots BAKE et DELAY restent allumés pour rappeler qu'un cycle de cuisson et maintien différés a été programmé.

Remarques :

- Ne pas utiliser le cycle de cuisson et maintien différés pour des articles qui nécessitent que le four soit préchauffé, comme les gâteaux, les petits biscuits et les pains.
- Ne pas utiliser le cycle de cuisson et maintien différés si le four est déjà chaud.



Cuisson dans le four

Maintien au chaud

Pour maintenir au chaud dans le four des aliments cuits et chauds ou pour réchauffer pains et assiettes.

Programmation du Maintien au chaud :

1. Appuyer sur la touche **Keep Warm** (Maintien au chaud).

- Le mot WARM (Chaud) clignote à l'afficheur.
- 000 clignote à l'afficheur.



Keep Warm

2. Sélectionner la température de maintien au chaud. Appuyer sur la touche **Autoset 0** (Programmation automatique) ou sur les touches numériques appropriées.

- 75° (170°) s'allume lorsque l'on appuie sur la touche **Autoset 0**.
- Chaque pression sur la touche **Autoset 0** augmente la température de 3 °C (5 °F).



Autoset

La température de maintien au chaud peut être programmée de 63 à 90 °C (145 à 190 °F).

Le mot WARM et la température seront affichés pendant que la fonction est active.



Annulation du maintien au chaud :

1. Appuyer sur la touche **Cancel** (Annuler).
2. Retirer la nourriture du four.



Cancel

Remarques sur la fonction de maintien au chaud

- Pour obtenir des qualités alimentaires et nutritives optimales, les aliments ne doivent pas être gardés au chaud plus de 1 à 2 heures.
- Pour empêcher les aliments de dessécher, les recouvrir de papier aluminium, sans serrer, ou d'un couvercle.
- **Pour réchauffer des petits pains :**
 - recouvrir les petits pains de papier aluminium sans serrer et les placer au four.
 - appuyer sur les touches **Keep Warm** et **Autoset 0**.
 - réchauffer pendant 12 à 15 minutes.
- **Pour réchauffer des assiettes :**
 - placer deux piles de quatre assiettes maximum dans le four.
 - appuyer sur les touches **Keep Warm** et **Autoset 0**.
 - réchauffer pendant 5 minutes, arrêter le four et laisser les assiettes au four pendant encore 15 minutes.
 - n'utiliser que des assiettes pouvant aller au four, à vérifier avec le fabricant.
 - ne pas poser des assiettes tièdes sur une surface froide, les changements rapides de température pouvant casser l'assiette ou la fendiller.



Cuisson dans le four

Cuisson au grill

ATTENTION

Utiliser la fonction grill avec PRUDENCE. La graisse de certains aliments pourrait s'enflammer. Si un feu se déclenche, fermer la porte du four et **ARRÊTER** le four. Si le feu ne s'éteint pas, NE PAS mettre de l'eau sur le feu. Utiliser du bicarbonate de sodium, un produit chimique sec ou un extincteur pour étouffer le feu.

Programmation de la cuisson au grill :

- Appuyer sur la touche **Broil** (Gril).
 - Les mots BROIL et SET (Valider) clignotent à l'afficheur.
- Appuyer sur la touche **Autoset 0** (Programmation automatique) **une fois** pour programmer un grill à température élevée ou **deux fois** pour programmer un grill à température basse.
 - Les mots HI (Élevée) ou LO (Basse) seront affichés.
 - Sélectionner **HI broil** (Gril à température élevée) (285 °C [550 °F]) pour un grill normal. Sélectionner **LO broil** (Gril à température basse) (230° C [450° F]) pour un grill à température inférieure d'aliments à cuisson plus longue comme la volaille.
- Après quatre secondes, le four se met en marche.
 - Le mot BROIL reste allumé.
 - Les mots HI ou LO restent allumés.



Tableau de cuisson au grill

Préchauffer le four pendant 2-3 minutes.

ALIMENTS		POSITION DES GRILLES*	DEGRÉ DE CUISSON	TEMPS DE CUISSON TOTAL (MINUTES)
Bœuf	Bifteck, 2,5 cm (1 po) d'épaisseur	4	Cuisson moyenne	15 - 20 minutes
		4	Bien cuit	18 - 24 minutes
	Hamburgers, 2 cm (3/4 po) d'épaisseur	4	Bien cuit	15 - 18 minutes
Porc	Bacon	4	Bien cuit	6 - 10 minutes
	Côtelettes, 2,5 cm (1 po)	4	Bien cuit	22 - 26 minutes
	Jambon - pré-cuit tranche de 1,3 cm (1/2 po)	4	Tiède	8 - 12 minutes
Volaille	Poulet en morceaux	3 ou 4	Bien cuit	Gril à température basse 30 - 45 minutes
Fruits de mer	Darnes de poisson, beurrées, 2,5 cm (1 po) d'épaisseur	4	La chair se détache	10 - 15 minutes
	Filetes, 1,3 cm (1/2 po) d'épaisseur	4	La chair se détache	8 - 12 minutes

* Grille supérieure à la position n° 5.

Remarque : Ce tableau n'est qu'un guide de suggestions. Les durées peuvent varier selon l'aliment à cuire.

- Pour un rissolage maximum, préchauffer le four pendant 2 ou 3 minutes avant d'ajouter la nourriture.
- Placer la nourriture dans le four. Fermer la porte du four.
- Retourner la viande une fois à la moitié de la durée de cuisson.
- Lorsque l'aliment est cuit, appuyer sur la touche **CANCEL** (Annuler). Retirer la nourriture et la lèchefrite du four.
 - L'heure du jour réapparaît à l'afficheur.



Remarques sur la cuisson au grill

- Pour de meilleurs résultats lors du grill, se servir d'un ustensile prévu pour ce type de cuisson.
- Le grill au réglage HI est utilisé pour la majorité des opérations de cuisson au grill. Utiliser le grill au réglage LO pour la cuisson de mets devant cuire plus longtemps, afin de leur permettre d'être bien cuits sans rissolage excessif.
- Pour changer la température du four pendant la cuisson au grill**, appuyer sur la touche **Broil**, puis sur la touche **Autoset 0** pour changer entre la cuisson au grill à température élevée (HI) et la cuisson au grill à température basse (LO).
- Les durées de cuisson au grill peuvent être plus longues avec une température de grill inférieure.
- Retourner la plupart des aliments lorsque la moitié de la durée prévue pour la cuisson au grill s'est écoulée.



Cuisson dans le four

Arrêt automatique/ Mode sabbat

Le four s'arrête automatiquement après 12 heures s'il a été accidentellement laissé en marche. Cette caractéristique de sécurité peut être arrêtée.

Pour annuler l'arrêt 12 heures et faire fonctionner le four en continu pendant 72 heures :

1. Appuyer sur la touche **Clock** (Horloge) et la maintenir ainsi pendant cinq secondes. **Clock**
 - SAb sera affiché et clignotera pendant cinq secondes.
 - SAb sera ensuite affiché en continu jusqu'à ce qu'on l'arrête ou jusqu'à ce que la durée limite de 72 heures soit atteinte.
 - Le mot BAKE (Cuisson courante) sera aussi affiché si un cycle de cuisson courante est en cours alors que le four est en mode sabbat.
 - *La CUISSON AU FOUR est la seule fonction qui est opérationnelle en mode sabbat. Toutes les autres fonctions (Minuterie, Maintien au chaud, Nettoyage, etc.) sont verrouillées pendant le mode sabbat.*
 - Un cycle de cuisson et maintien peut être programmé durant le mode sabbat. Cependant, un cycle de cuisson et maintien différés n'est pas possible.

Annulation du mode sabbat :

1. Appuyer sur la touche **Clock** pendant cinq secondes. **Clock**
 - SAb clignote pendant 5 secondes.
 - L'heure du jour revient à l'afficheur.
- OU
2. Après 72 heures, le mode sabbat se termine.
 - « SAb » clignote pendant 5 secondes.
 - L'heure du jour revient à l'afficheur.

Remarques sur le mode sabbat

- Le mode sabbat peut être mis en marche à tout moment, que le four soit en marche ou non.
- Le mode sabbat ne peut pas être mis en marche si les touches sont verrouillées ou la porte verrouillée.
- La majorité des messages et tous les bips sont désactivés lorsque le mode sabbat est actif.
- Si le four est en mode cuisson lorsque le mode sabbat est programmé, le mot BAKE s'éteint lorsque la cuisson courante est annulée. Il n'y aura aucun signal sonore audible.
- La lampe du four ne s'allume pas automatiquement à l'ouverture de la porte lorsque le four est en mode sabbat. Si l'éclairage du four est souhaité pendant le mode sabbat, la lampe devra être allumée avant que le mode sabbat ne débute.
- Lorsque le mode sabbat a démarré, l'afficheur indique immédiatement la température programmée plutôt que la température réelle de la cavité du four. Aucun bip de préchauffage ne retentit.
- Le cycle d'autonettoyage et le verrouillage automatique de la porte ne fonctionnent pas pendant le mode sabbat.
- Si l'on appuie sur la touche **Cancel** (Annuler), un cycle de cuisson courante au four sera annulé. Cependant, le programmeur restera en mode sabbat.
- Après une panne de courant, le four revient en mode sabbat avec 72 heures restantes et aucun cycle actif.



Cuisson dans le four

Ajustement de la température du four

La précision des températures du four a été soigneusement vérifiée à l'usine. Il est normal de remarquer quelques différences dans la cuisson ou la couleur du rissolage obtenu entre un four neuf et un four ancien. Au fur et à mesure que le four est moins neuf, sa température peut varier.

Il est possible d'ajuster la température du four si l'on pense que le four ne cuit pas ou ne rissole pas correctement. Pour décider de l'ajustement à apporter, régler le four à une température de 15 °C (25 °F) plus élevée ou plus basse que la température indiquée dans la recette, puis faire cuire la préparation. Les résultats de «l'essai» de cuisson doivent donner une idée du nombre de degrés duquel la température doit être ajustée.

Ajustement de la température du four :

1. Appuyer sur la touche **Bake** (Cuisson courante).
2. Entrer 285 °C (550 °F) en appuyant sur les touches numériques appropriées.
3. Appuyer sur la touche **Bake** et la maintenir ainsi pendant plusieurs secondes ou jusqu'à ce que 0° paraisse à l'afficheur.

Bake

Si la température du four a été précédemment ajustée, le changement sera affiché. Par exemple, si la température du four a été réduite de 8 °C (15 °F), l'afficheur indiquera -8° (-15°).

4. Appuyer sur la touche **Autoset 0** (Programmation automatique) pour ajuster la température.

À chaque fois que l'on appuie sur la touche **Autoset 0**, la température change de 3 °C (5 °F). La température du four peut être augmentée ou diminuée de 3 à 20 °C (5 à 35 °F).

Appuyer sur la touche **Autoset 0** pour augmenter la température du four (5, 10 . . . 35). Continuer d'appuyer sur la touche **Autoset 0** pour diminuer la température du four (-35, -30 . . . -5).

5. L'heure du jour réapparaît automatiquement à l'afficheur.

Il n'est pas nécessaire de réajuster la température du four en cas de panne ou d'interruption de courant. L'ajustement de la température s'applique seulement aux fonctions de cuisson courante et convection. Les températures de grill et de nettoyage ne peuvent être ajustées.

Changement de la température °F/°C

1. Le réglage par défaut de l'usine pour la température est en Fahrenheit.
2. Pour modifier ce réglage, appuyer sur les touches **Cancel** (Annuler) et **Bake** simultanément et maintenir-les enfoncées pendant trois secondes.
3. Un bip retentit et le réglage courant (°F ou °C) paraît à l'afficheur. (Si vous ne faites pas de changement, la cuisinière retourne au réglage existant après 30 secondes.)
4. Pour modifier le réglage, appuyer sur la touche **Autoset 0**. Appuyer à nouveau sur la touche pour retourner au réglage existant. Attendre cinq secondes et le réglage sera effectué.

Favori

La touche Favorite (favori) permet de sauvegarder la durée et la température d'une fonction de cuisson et maintien.

Pour programmer un cycle Favori, une fonction de cuisson et maintien doit être active ou tout juste programmée.

Programmation d'un nouveau cycle favori ou sauvegarde d'un cycle en cours de cuisson et maintien comme favori :

1. Programmer un cycle de cuisson et maintien comme il est décrit à la section Cuisson et maintien à la page 40.
2. Appuyer sur la touche **Favorite** et la maintenir ainsi pendant trois secondes. **Favorite**
 - Le cycle cuisson et maintien nouvellement programmé ou en cours de fonctionnement sera sauvegardé.
 - Un bip sonore retentit pour indiquer que les commandes ont accepté le réglage favori.

Démarrage d'un cycle programmé dans favori :

1. Appuyer sur la touche **Favorite**.
 - La durée et la température du cycle programmé de cuisson et maintien seront affichées (si aucun cycle de cuisson et maintien n'a été programmé, « nonE » sera affiché).
2. Appuyer sur la touche **Bake** ou **Convect** (certains modèles).
 - Le cycle favori commence immédiatement.
 - Le mot BAKE s'allume à l'afficheur.
 - La durée de cuisson s'allume à l'afficheur.

Lorsque la durée de cuisson s'est écoulée :

- Le mot BAKE s'éteint.
- Les mots HOLD (Maintien) et WARM (Chaud) s'allument.
- 75° (170°) paraît à l'afficheur.

Annulation d'un cycle favori en cours :

1. Appuyer sur la touche **Cancel**.
 - Le cycle favori sauvegardé ne sera pas affecté.
2. Retirer la nourriture du four.

Cancel



Cuisson dans le four

Allumage sans flamme de veille

La cuisinière est dotée d'un système d'allumage sans flamme de veille. Ce système ferme automatiquement l'arrivée de gaz et **empêche tout fonctionnement du four lors d'une interruption de l'alimentation électrique.**

Il ne sera pas possible d'allumer le brûleur du four avec une allumette. Ne pas tenter de faire fonctionner le four lors d'une interruption de l'alimentation électrique.

Ventilateurs du four

Un **ventilateur de convection** (certains modèles) sert à faire circuler l'air chaud dans le four lorsque la caractéristique de convection est sélectionnée. La fonction se met automatiquement en marche environ cinq minutes après avoir appuyé sur la touche **Convect**, et s'éteint lorsque la fonction **Convect** est annulée.

Un **ventilateur de refroidissement** se met en marche automatiquement lors cuisson au gril et de certaines opérations de cuisson. Il est utilisé pour que les pièces internes du tableau de commande restent fraîches. Le ventilateur s'arrête automatiquement lorsque les pièces ont refroidi. Il peut continuer à fonctionner une fois que le four s'est arrêté. Ceci est normal.

Remarque : Il s'arrête automatiquement lorsque l'on ouvre la porte.

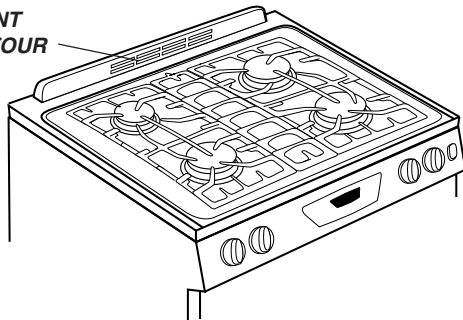
Évent du four

Lorsque le four fonctionne, les surfaces voisines de l'évent peuvent devenir assez chaudes pour entraîner des brûlures. Ne jamais bloquer l'évent.

L'évent du four est situé à l'arrière de la surface de cuisson.

Ne pas mettre de plastiques près de l'évent, la chaleur pouvant les déformer ou les faire fondre.

ÉVENT
DU FOUR



Éclairage du four

La lampe du four s'allume automatiquement à l'ouverture de la porte. Lorsque la porte est fermée, appuyer sur **Oven Light** (Lampe du four) pour allumer ou éteindre la lampe. Le four produit un signal sonore chaque fois que l'on appuie sur Oven Light.

Oven
Light

Sole du four

Protéger la sole des produits renversés, en particulier acides ou sucrés, ceux-ci pouvant décolorer l'émail vitrifié. Utiliser des ustensiles de la bonne dimension pour éviter que les produits ne se renversent ou passent par-dessus l'ustensile en bouillant. **Ne pas placer d'ustensiles ou de feuille d'aluminium directement sur la sole du four.**

Grilles du four

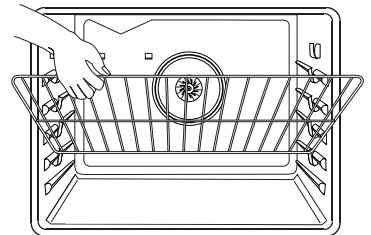
! ATTENTION

- Ne pas tenter de changer la position des grilles lorsque le four est chaud.
- Ne pas ranger de nourriture ou d'ustensile dans le four.

Le four comporte trois grilles avec, pour chacune, un dispositif de calage.

Extraction :

1. Tirer la grille en ligne droite jusqu'à ce qu'elle s'arrête à la position de calage.
2. Soulever la grille à l'avant pour pouvoir l'extraire.



Réinstallation :

1. Placer la grille sur les supports dans le four.
2. Soulever légèrement l'avant. Faire glisser la grille vers l'arrière au-delà de la position de calage.
3. Abaisser la grille et la faire glisser dans le four.

Ne jamais couvrir la totalité d'une grille de papier d'aluminium ni mettre d'aluminium sur la sole du four. Cela ne donnerait pas de bons résultats dans la cuisson de gâteaux et la sole pourrait se trouver abîmée.



Cuisson dans le four

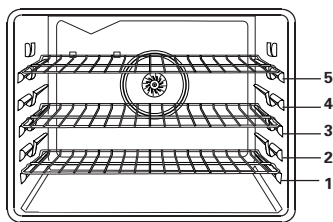
Niveaux des grilles

NIVEAU 5 : Pour passer au gril des aliments non gras et peu épais, et pour la cuisson avec convection (certains modèles) sur 3 grilles.

NIVEAU 4 : Pour faire griller du pain, pour la majorité des aliments à passer au gril et pour la cuisson sur 2 grilles.

NIVEAU 3 : Pour la majorité des produits de boulangerie et pâtisseries sur une plaque à gâteaux ou dans un moule à gâteau roulé, pour les gâteaux à étages, les crèmes, les aliments cuisinés et surgelés, la cuisson avec convection (certains modèles) sur 3 grilles et la majorité des opérations de cuisson sur 1 seule grille.

NIVEAU 2 : Pour le rôtissage de petits morceaux de viande, les plats mijotés, le pain, les savarins, les tartes aux fruits frais et gâteaux de 9 x 13 po et la cuisson sur deux grilles.



Cuisson avec convection sur trois grilles (certains modèles)

NIVEAU 1 : Pour le rôtissage de gros morceaux de viande, la volaille, les soufflés ou gâteaux des anges et la cuisson avec convection (certains modèles) sur trois grilles.

CUISSON SUR PLUSIEURS GRILLES :

Deux grilles : Utilisez les positions 2 et 4, ou 1 et 4. Disposez les aliments en quinconce pour que l'air circule bien.

Trois grilles : (convection seulement, certains modèles) : utilisez les positions 1, 3 et 5.

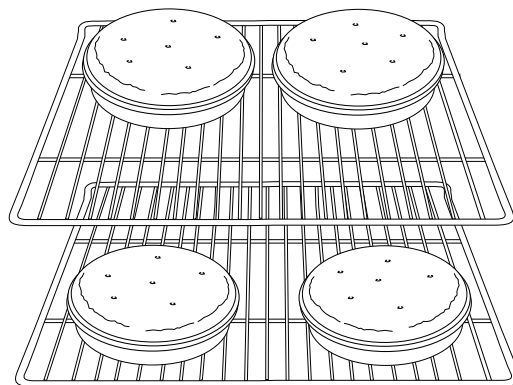
Remarques :

- Vérifiez la cuisson après la durée minimale suggérée.
- Ne jamais placer les ustensiles directement sur la sole du four.

Cuisson de gâteaux à étages sur deux grilles

Pour de meilleurs résultats pour la cuisson de gâteaux sur deux grilles, utiliser les positions 2 et 4 pour une cuisson traditionnelle et les positions 1 et 4 pour une cuisson avec convection (certains modèles).

Placer les gâteaux sur la grille, comme il est indiqué.



Four autonettoyant

! ATTENTION

- Il est normal que certaines pièces de la cuisinière deviennent très chaudes lors d'un cycle de nettoyage.
- Pour éviter que la porte du four ne subisse des dommages, ne pas tenter de l'ouvrir lorsque le mot LOCK (VERROUILLAGE) est visible sur l'afficheur.
- Éviter de toucher la porte, le hublot et la zone de l'évent du four lors d'un cycle d'autonettoyage.
- Ne pas utiliser de nettoyant pour four du commerce sur le fini du four ou sur tout autre composant du four. Cela abîmerait le fini ou les composants du four.

Le cycle d'autonettoyage utilise des températures supérieures à la normale pour assurer le nettoyage automatique de la totalité du four.

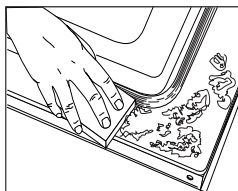
Le four doit être nettoyé régulièrement. Les éclaboussures doivent être essuyées pour éviter une production excessive de fumée ou l'apparition de flammes. Ne laissez pas de résidus s'accumuler dans le four.

Durant le processus d'autonettoyage, il convient de bien aérer la cuisine pour éliminer les odeurs normalement émises durant le nettoyage.

Avant l'autonettoyage

1. Éteindre la lampe du four avant le nettoyage. Elle risquerait sinon, de griller.
2. Enlever tous les plats et les grilles du four. Les grilles risquent de se décolorer et de ne plus glisser aussi bien après un cycle d'autonettoyage si on ne les enlève pas.

3. Nettoyer le cadre du four, le cadre de la porte, la zone à l'extérieur du joint et autour de l'ouverture dans le joint de la porte, à l'aide d'un produit de nettoyage non abrasif comme Bon Ami* ou d'eau additionnée de détergent. Le processus d'autonettoyage ne nettoie pas ces zones. Elles doivent être nettoyées pour empêcher la saleté de s'incruster pendant le cycle de nettoyage. (Le joint assure l'étanchéité autour de la porte et du hublot du four.)



4. Pour empêcher tout dommage, ne pas nettoyer ni frotter le joint qui se trouve autour de la porte du four. Ce joint est conçu pour éviter les pertes de chaleur pendant le cycle d'autonettoyage.
5. Éliminer les résidus de graisse ou de produits renversés sur la sole avant le nettoyage. Ceci empêche la formation de flammes ou de fumée durant le nettoyage.

6. Essuyer les résidus sucrés et acides, comme les patates douces, la tomate ou les sauces à base de lait. La porcelaine vitrifiée possède une certaine résistance aux composés acides, mais qui n'est pas limitée. Elle peut se décolorer si les résidus acides ou sucrés ne sont pas enlevés avant de commencer l'autonettoyage.

Programmation de l'autonettoyage :

Remarque : La température du four doit être située en dessous de 205 °C (400 °F) pour programmer un cycle d'autonettoyage.

1. Fermer la porte du four.
2. Appuyer sur la touche **Clean** (Nettoyage).
 - Le mot CLEAN clignote.
 - Le mot SET (Valider) clignote à l'afficheur.
3. Appuyer sur la touche **Autoset 0** (Programmation automatique).
 - MEd (Moyen) (Saleté moyenne, 3 heures) est affiché.
4. Appuyer sur la touche Autoset 0 pour voir défiler les différents réglages de l'autonettoyage :
 - HVy (Très sale) (Saleté épaisse, 4 heures)
 - MEd (Moyen) (Saleté moyenne, 3 heures)
 - LITE (Léger) (Saleté légère, 2 heures)

Le choix du niveau de saleté du four programme automatiquement la durée du cycle d'autonettoyage.
5. Après quatre secondes, le four commence le nettoyage.
 - Si la porte n'est pas fermée, des bips retentissent et le mot « door » (porte) paraît à l'afficheur. Si la porte n'est pas fermée dans les 30 secondes, l'opération d'autonettoyage est annulée et l'afficheur revient à l'heure du jour.
 - Le mot CLEAN paraît à l'afficheur.
 - Le mot LOCK (Verrouillage) clignote à l'afficheur. Une fois la porte verrouillée, le mot reste stable.
 - La durée de nettoyage commence le décompte à l'afficheur.

Démarrage différé d'un cycle d'autonettoyage :

1. Appuyer sur la touche **Delay 1** (Une Diferée).
 - Le mot DELAY clignote.
 - 00:00 clignote à l'affichage.
2. Entrer la durée d'attente désirée pour le démarrage du cycle à l'aide des touches numériques appropriées.
3. Appuyer sur la touche **Clean**.
 - Le mot SET clignote à l'afficheur.
4. Appuyer sur la touche **Autoset 0**.
 - Le mot LITE (saleté légère) est affiché.

*Les noms de marque des produits de nettoyage sont des marques déposées des différents fabricants.



Nettoyage

5. Appuyer sur la touche **Autoset 0** (Programmation automatique) pour voir défiler les différents réglages de l'autonettoyage :



HVy (Très sale) (Saleté épaisse, 4 heures)

MEd (Moyen) (Saleté moyenne, 3 heures)

LITE (Léger) (Saleté légère, 2 heures)

Le choix du niveau de saleté du four programme automatiquement la durée du cycle d'autonettoyage.

6. Après quatre secondes, les mots CLEAN (Nettoyage) et DELAY (Diférée) s'allumeront et le mot LOCK (Verrouillage) clignotera à l'afficheur. Lorsque la porte du four se verrouille, le mot LOCK s'arrête de clignoter et reste allumé en continu pour indiquer que le four est programmé pour une opération de nettoyage différé. Le délai d'attente sera affiché.



Pendant le cycle d'autonettoyage

Lorsque le mot LOCK paraît à l'afficheur, la porte ne peut être ouverte. Pour éviter d'endommager la porte, ne pas forcer la porte pour l'ouvrir lorsque LOCK est affiché.

Fumée et odeurs

La première fois où le four est nettoyé, il peut y avoir production d'odeur et de fumée. Ceci est normal et disparaîtra à l'usage.

Si le four est très sale ou si un ustensile a été laissée dans le four, il peut y avoir production de fumée.

Bruits

Pendant que le four chauffe, il peut se produire des bruits de métal en dilatation ou en contraction. Ceci est normal et n'indique pas que le four s'abîme.

Après le cycle d'autonettoyage

Environ une heure après la fin du cycle, le mot LOCK s'éteint. À ce moment, la porte peut être ouverte.

La saleté peut avoir laissé un résidu gris poudreux. L'enlever avec un linge humide. S'il reste de la saleté, cela indique que le cycle de nettoyage n'a pas été assez long. Cette saleté restante sera enlevée au prochain cycle d'autonettoyage.

Si les grilles ont été laissées à l'intérieur du four pendant le cycle d'autonettoyage et qu'elles glissent mal sur leurs supports, les enduire, ainsi que les supports, d'une fine couche d'huile végétale.

De fines lignes peuvent apparaître dans la porcelaine parce qu'elle a subi chaleur et refroidissement. Ceci est normal et n'affectera pas la performance.

Une décoloration blanche peut apparaître après le nettoyage si des aliments acides ou sucrés n'ont pas été enlevés avant que ne commence l'autonettoyage. La décoloration est normale et n'affectera pas la performance du four.

Remarques

- Si la porte du four n'est pas fermée, le mot « door » (porte) clignote à l'afficheur et le four émet des bips jusqu'à ce que la porte soit fermée et que l'on appuie à nouveau sur **Clean**.
- S'il s'écoule plus de cinq secondes entre le moment où l'on appuie sur **Clean** et celui où l'on appuie sur la touche **Autoset 0** (Programmation automatique), l'afficheur retourne automatiquement à l'affichage précédent.
- La porte du four se trouvera endommagée si l'on force son ouverture alors que le mot LOCK est encore affiché.

Méthodes de nettoyage

ATTENTION

- Avant toute manipulation ou opération de nettoyage, vérifier que l'appareil est arrêté et que tous les composants sont froids, afin d'éviter des dommages ou des brûlures.
- Pour éviter la formation de taches ou un changement de couleur, nettoyer l'appareil après chaque utilisation.
- Après tout démontage de composants, veiller à effectuer un remontage correct.

*Les noms de marque sont des marques déposées des différents fabricants.

** Pour commander directement, composer le 1-877-232-6771 É.-U. ou 1-800-688-8408 Canada.

PIÈCE	NETTOYAGE
Chapeaux de brûleur et brûleurs à gaz	<p>Chapeaux de brûleur amovibles</p> <ul style="list-style-type: none"> • Laisser le brûleur refroidir. Enlever le chapeau de brûleur pour le laver dans de l'eau savonneuse avec un tampon à récurer en plastique. Pour les souillures tenaces, nettoyer avec un tampon non abrasif, savonneux, ou avec une éponge et la crème de nettoyage pour table de cuisson Cooktop Cleaning Creme* (produit n° 20000001)**. • Ne pas effectuer le nettoyage au lave-vaisselle ou dans le four autonettoyant. <p>Brûleurs à gaz scellés</p> <ul style="list-style-type: none"> • Nettoyer fréquemment. Laisser le brûleur refroidir. Nettoyer avec du savon et un tampon à récurer en plastique. Pour les souillures tenaces, nettoyer avec un tampon savonneux et non abrasif. Ne pas agrandir ou déformer les trous. • Veiller à ne pas introduire d'eau dans les orifices du brûleur. • Travailler prudemment lors du nettoyage de l'allumeur. Si l'allumeur est endommagé ou mouillé, les brûleurs de la table de cuisson ne pourront pas s'allumer.
Grilles des brûleurs - porcelaine sur fonte	<ul style="list-style-type: none"> • Laver les grilles avec de l'eau savonneuse tiède et un tampon à récurer en plastique non abrasif. Pour les souillures tenaces, nettoyer avec un tampon en plastique non abrasif, savonneux, ou avec une éponge et la crème de nettoyage pour table de cuisson Cooktop Cleaning Creme* (produit n° 20000001)**. S'il reste des souillures, appliquer de nouveau la crème pour table de cuisson, recouvrir avec un essuie-tout humide, et laisser tremper pendant 30 minutes. Frotter de nouveau, rincer et faire sécher. • Ne pas effectuer le nettoyage au lave-vaisselle ou dans le four autonettoyant.
Zone de la console de commande et horloge	<ul style="list-style-type: none"> • Pour utiliser la fonction Verrouillage des commandes et la porte du four pour le nettoyage, voir page 37. • Essuyer avec un linge humide et sécher. Ne pas utiliser un agent de nettoyage abrasif susceptible de rayer la finition. • On peut utiliser un produit de nettoyage du verre, pulvérisé d'abord sur un chiffon. NE PAS projeter le produit directement sur les touches de commande ou sur l'afficheur.
Boutons de commande	<ul style="list-style-type: none"> • Placer chaque bouton à la position d'ARRÊT, et retirer chaque bouton en le tirant. • Laver, rincer et faire sécher. Ne pas utiliser un agent de nettoyage abrasif susceptible de rayer la finition. • Faire fonctionner brièvement chaque brûleur pour vérifier que le bouton a été correctement réinstallé.
Table de cuisson et tableau de commande - émail vitrifié	<p>L'émail vitrifié est du verre lié au métal par fusion. Il peut se fissurer ou s'écailler en cas de mauvaise utilisation. Il est résistant aux acides, mais pas totalement inattaquable par les acides. Tous les produits renversés, en particulier acides ou sucrés, doivent être essuyés immédiatement avec un linge sec.</p> <ul style="list-style-type: none"> • Une fois refroidi, laver avec de l'eau savonneuse, rincer et sécher. • Ne jamais essuyer une surface tiède ou chaude avec un linge humide. Ceci pourrait la fissurer ou l'écailler. • Ne jamais utiliser de nettoyants pour four, d'agents de nettoyage caustiques ou abrasifs sur le fini extérieur de la cuisinière.



Nettoyage

PIÈCE	NETTOYAGE
Tiroir de remisage et poignées de porte - émail peint	<ul style="list-style-type: none"> • Une fois les pièces refroidies, les laver à l'eau savonneuse tiède, rincer et sécher. Ne jamais essuyer une surface tiède ou chaude avec un linge humide, ceci pouvant endommager la surface et entraîner une brûlure par la vapeur. • Pour les taches rebelles, utiliser des agents de nettoyage légèrement abrasifs comme la pâte au bicarbonate de soude ou Bon Ami*. Ne pas utiliser de nettoyeurs abrasifs, caustiques ou énergiques comme les nettoyeurs pour four ou les tampons en laine d'acier. Ces produits rieraient ou endommageraient de façon permanente la surface. <p>Remarque : Utiliser un linge ou un torchon sec pour essuyer les produits renversés, surtout s'ils sont acides ou sucrés. La surface pourrait se décolorer ou se ternir si la saleté n'était pas immédiatement enlevée. Ceci est particulièrement important dans le cas de surfaces blanches.</p>
Hublot et porte du four en verre	<ul style="list-style-type: none"> • Éviter d'utiliser trop d'eau, qui risquerait de s'infiltrer sous ou derrière le verre et de tacher. • Laver à l'eau et au savon. Rincer avec de l'eau propre et sécher. Un produit de nettoyage du verre peut être utilisé en le vaporisant d'abord sur un linge. • NE PAS utiliser de produits abrasifs comme tampons à récurer, laine d'acier ou produit de nettoyage en poudre qui risqueraient de rayer le verre.
Intérieur du four	<ul style="list-style-type: none"> • Exécuter les instructions présentées aux pages 47-48 pour l'autonettoyage du four.
Grilles du four	<ul style="list-style-type: none"> • Nettoyer avec de l'eau savonneuse. • Éliminer les souillures tenaces avec une poudre de nettoyage ou un tampon à récurer savonneux. Rincer et faire sécher. • Si les grilles sont laissées dans le four pendant le cycle d'autonettoyage, elles se décolorent et peuvent ne plus très bien glisser. Si ceci se produit, appliquer par essuyage un peu d'huile végétale sur la grille et ses supports en relief pour faciliter le mouvement, et enlever l'excès d'huile.
Acier inoxydable (certains modèles)	<ul style="list-style-type: none"> • NE PAS UTILISER DE PRODUITS DE NETTOYAGE CONTENANT DU JAVELLISANT. • NE PAS UTILISER DE NETTOYANTS « ORANGE » OU ABRASIFS. • TOUJOURS ESSUYER DANS LE SENS DE LA TEXTURE DE L'ACIER LORS DU NETTOYAGE. • Nettoyage journalier/saleté légère - Essuyer avec l'un des produits suivants: eau savonneuse, vinaigre blanc/eau, produit de nettoyage pour verre et surface Formula 409* ou un produit semblable pour verre - avec un linge souple et une éponge. Rincer et sécher. Pour polir et enlever les marques de doigts, faire suivre par une vaporisation de Magic Spray* pour acier inoxydable (produit n° 20000008)**. • Saleté modérée/épaisse - Essuyer avec l'un des produits suivants: Bon Ami*, Smart Cleanser* ou Soft Scrub* - à l'aide d'un linge souple ou d'une éponge humide. Rincer et sécher. Les taches rebelles peuvent être enlevées avec un tampon multi-usages Scotch-Brite* humidifié. Frotter uniformément dans le sens du métal. Rincer et sécher. Pour redonner du lustre et retirer les rayures, faire suivre par une vaporisation de Magic Spray* pour acier inoxydable. • Décoloration - À l'aide d'une éponge humidifiée ou d'un linge souple, essuyer à l'aide du nettoyant Cameo* pour acier inoxydable. Rincer immédiatement et sécher. Pour enlever les marques et redonner du lustre, faire suivre par une vaporisation de Magic Spray* pour acier inoxydable.

* Les noms de marque sont des marques déposées des différents fabricants.

** Pour commander directement, composer le 1-877-232-6771 É.-U. ou 1-800-688-8408 Canada.



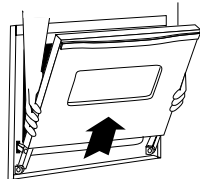
Porte du four

! ATTENTION

- **Ne pas** grimper sur la porte du four ouverte, ou lui imposer une charge excessive. Ceci pourrait provoquer un basculement de la cuisinière, le bris de la porte ou des blessures pour la personne concernée.
- **Ne pas** tenter d'ouvrir ou fermer la porte ou d'utiliser le four avant que la porte ait été convenablement réinstallée.
- **Ne** jamais placer les doigts entre la charnière et le cadre avant du four. Les bras de charnière sont montés sur ressort. Une charnière pourrait se refermer brutalement contre le cadre du four et provoquer de sérieuses blessures.

Dépose de la porte:

1. Après le refroidissement du four, ouvrir la porte – position de cuisson au gril (porte entrouverte d'environ 10 cm [4 pouces]).
2. Saisir la porte de chaque côté. Ne pas utiliser la poignée de porte pour la soulever.
3. Soulever uniformément pour dégager la porte des charnières.



Réinstallation:

1. Saisir la porte de chaque côté.
2. Aligner les fentes avec les bras de charnière sur la cuisinière.
3. Faire descendre la porte pour la positionner correctement sur les charnières. Pousser sur les angles supérieurs de la porte pour l'enfoncer complètement sur les charnières. Il faut que la porte soit parfaitement d'aplomb.

Remarque : On peut percevoir une certaine « élasticité » lors de la fermeture de la porte du four d'une cuisinière neuve; ceci est normal; cet effet disparaît progressivement.

Hublot du four

Pour protéger le hublot de la porte du four :

1. Ne pas utiliser de produits nettoyants abrasifs comme des tampons à récurer en laine d'acier ou des produits de nettoyage en poudre qui risqueraient de rayer le verre.
2. Ne pas heurter le hublot en verre avec un ustensile, un article de mobilier, un jouet, etc.
3. Ne pas fermer la porte du four avant que les grilles ne soient en place dans le four.

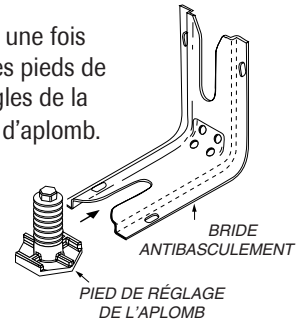
Toute dégradation du hublot de verre - rayure, choc, tension, etc. - peut affaiblir sa structure et augmenter le risque de bris à une date ultérieure.

Pieds de réglage de l'aplomb

! ATTENTION

Vérifier que la bride antibasculement agrippe convenablement l'un des pieds arrière de réglage de l'aplomb, pour que la cuisinière ne puisse basculer accidentellement.

Vérifier que la cuisinière est d'aplomb une fois installée. Si elle ne l'est pas, tourner les pieds de réglage de l'aplomb à chacun des angles de la cuisinière, jusqu'à ce que celle-ci soit d'aplomb.



Lampe du four

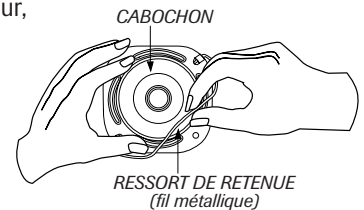
(Le style peut varier selon le modèle)

! ATTENTION

- Débrancher la cuisinière avant de remplacer l'ampoule.
- Laisser le four refroidir avant de remplacer l'ampoule.
- S'assurer que le cabochon et l'ampoule sont froids avant de les toucher.

Pour remplacer l'ampoule du four :

1. Après le refroidissement du four, maintenir le cabochon tout en enlevant la pièce métallique qui la maintient en place. **Remarque :** Le cabochon tombera si on ne le maintient pas en place.
2. Enlever le cabochon et l'ampoule.
3. Installer une ampoule de 40 watts pour appareil ménager.
4. Réinstaller le cabochon et le fil métallique de retenue.
5. Rétablir l'alimentation de la cuisinière. Régler de nouveau l'horloge.



OU

1. Porter une manique sèche et dévisser très soigneusement le cabochon et l'ampoule.
2. Remplacer l'ampoule par une ampoule pour four, de 40 watts. Il est recommandé d'utiliser une ampoule avec un culot en laiton pour éviter la fusion du culot dans la douille.
3. Remettre en place le cabochon et rebrancher la cuisinière.
4. Remettre l'horloge à l'heure.



Entretien

Déplacement d'un appareil à gaz

Les raccords des appareils à gaz servant à brancher cet appareil à l'alimentation de gaz ne sont pas prévus pour être déplacés continuellement. Une fois l'appareil installé, **NE PAS** le déplacer de façon répétée pour le nettoyer ou le changer de place. Si cet appareil doit être déménagé et/ou enlevé pour être réparé, suivre la méthode décrite dans les instructions d'installation. Pour toute information, prendre contact avec le service à la clientèle de Amana au 1-800-843-0304 É.-U. ou 1-866-587-2002 au Canada.

Il faut que le pied arrière de la cuisinière soit engagé dans la bride antibasculement pour que la cuisinière ne puisse basculer accidentellement.

Tiroir de remisage

ATTENTION

Ne pas ranger dans ce tiroir des articles de plastique ou de papier, des produits inflammables ou des produits alimentaires. Durant le fonctionnement du four, une température excessive pour ces articles peut s'établir dans le tiroir.

Le tiroir de remisage peut être enlevé pour vous permettre de nettoyer sous la cuisinière.

Dépose :

1. Vider le tiroir et le tirer jusqu'à la position de la première butée.
2. Soulever l'avant.
3. Tirer jusqu'à la position de la seconde butée.
4. Saisir le tiroir par les côtés et soulever/tirer pour l'extraire.

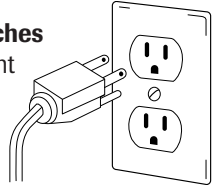
Réinstallation :

1. Insérer les extrémités des glissières du tiroir dans les rails de la cuisinière.
2. Soulever l'avant du tiroir et pousser doucement jusqu'à la position de la première butée.
3. Soulever de nouveau le tiroir et le pousser pour le fermer.

Raccordement électrique

Les appareils nécessitant une alimentation électrique comportent une fiche à trois broches mise à la terre qui doit être branchée directement dans une prise de 120 volts à trois cavités et correctement mise à la terre.

Toujours débrancher l'appareil avant d'y faire de l'entretien.



La fiche à trois broches mise à la terre fournit une protection contre les décharges électriques. **NE PAS COUPER NI ENLEVER LA BROCHE DE TERRE DU CORDON D'ALIMENTATION.**

Si la prise ne comporte que deux cavités, n'est pas mise à la terre ou n'est pas appropriée, **le propriétaire de l'appareil a la responsabilité de faire remplacer la prise par une prise à trois cavités correctement mise à la terre.**

Recherche des pannes

PROBLÈME	SOLUTION
Pour la plupart des problèmes observés, essayer d'abord les solutions possibles, à droite.	<ul style="list-style-type: none"> • Vérifier que les commandes du four sont correctement réglées. • Vérifier si le four est bien raccordé au circuit électrique. • Inspecter/réarmer le disjoncteur. Inspecter/remplacer les fusibles. • Contrôler la source d'alimentation électrique.
Un brûleur de surface ne s'allume pas.	<ul style="list-style-type: none"> • Vérifier que l'appareil est correctement raccordé à la source d'électricité. • Déterminer si l'alimentation électrique est interrompue (fusible grillé/disjoncteur ouvert). • Vérifier que l'allumeur est sec et qu'il émet des étincelles. Le brûleur ne peut s'allumer si l'allumeur est endommagé, souillé ou mouillé. Si l'allumeur ne génère pas d'étincelles, ramener le bouton de commande à la position OFF (Arrêt).
Flammes non uniformes.	<ul style="list-style-type: none"> • Orifices du brûleur obstrués.
Séparation entre les flammes et le brûleur.	<ul style="list-style-type: none"> • Veiller à placer correctement l'ustensile sur la grille du brûleur.
Résultats de cuisson au four différents des attentes ou de ceux produits par le four antérieur.	<ul style="list-style-type: none"> • Vérifier que la température sélectionnée est correcte. Veiller à préchauffer le four si ceci est demandé dans la recette. • Déterminer si l'évent du four est obstrué. Voir son emplacement page 45. • S'assurer que la cuisinière est d'aplomb. • Les réglages de température varient souvent entre un four neuf et le four qu'il remplace. On observe souvent une dérive du réglage de température d'un four à mesure qu'il vieillit; il peut devenir plus chaud ou moins chaud. Voir page 44 les instructions d'ajustement de la température du four. Remarque : Il n'est pas utile de modifier le réglage de température si la variation n'affecte qu'une ou deux recettes. • Utiliser les bons ustensiles. Les ustensiles foncés donnent un brunissement de couleur foncée, les ustensiles brillants, un brunissement plus clair. • Vérifier la position des grilles et des ustensiles. Lors de la répartition sur deux grilles, ne pas superposer les plats. Veiller à laisser un espace de 2,5 à 5 cm (1 à 2 po) entre les plats et les parois du four. • Contrôler l'utilisation de feuille d'aluminium dans le four. Ne jamais recouvrir complètement une grille du four avec de la feuille d'aluminium. Placer un petit morceau de feuille d'aluminium sur la grille sous le plat pour récupérer les matières renversées.
Résultats incorrects lors de la cuisson au gril, ou émission excessive de fumée.	<ul style="list-style-type: none"> • Déterminer la position des grilles. Les aliments peuvent être trop près des flammes. • Utilisation incorrecte de feuille d'aluminium. Ne jamais garnir la grille de lèche-frite avec de la feuille d'aluminium. • Enlever l'excès de graisse sur la pièce de viande avant la cuisson au gril. • Utilisation d'une lèche-frite souillée. • Préchauffer le four pendant deux à trois minutes avant de placer le plat dans le four. • Porte du four fermée durant la cuisson au gril.

Recherche des pannes

PROBLÈME	SOLUTION
Impossibilité d'autonettoyage du four.	<ul style="list-style-type: none"> • Déterminer que l'appareil n'a pas été programmé pour un autonettoyage différé. Voir pages 47-48. • Vérifier que la porte est fermée. • Vérifier si la commande est en mode sabbat. Voir page 43. • Le four est peut être à une température supérieure à 205 °C (400 °F). La température du four doit être inférieure à 205 °C (400 °F) pour pouvoir programmer un cycle d'autonettoyage.
Le four ne se nettoie pas correctement.	<ul style="list-style-type: none"> • Un temps de nettoyage plus long peut être nécessaire. • On n'a pas éliminé avant l'opération d'autonettoyage les accumulations excessives de résidus, particulièrement les résidus d'aliments acides ou sucrés.
La porte du four ne se déverrouille pas après l'autonettoyage.	<ul style="list-style-type: none"> • L'intérieur du four est encore chaud. Attendre environ une heure après l'achèvement de la période d'autonettoyage. Il est possible d'ouvrir la porte après la disparition du message LOCK (Verrouillage) sur l'afficheur. • Les commandes et la porte sont peut-être verrouillées. Voir page 37.
Accumulation d'humidité sur le hublot ou vapeur sortant de l'évent.	<ul style="list-style-type: none"> • Ceci est normal durant la cuisson d'aliments contenant beaucoup d'eau. • Utilisation excessive d'humidité lors du nettoyage du hublot.
Émission d'une forte odeur ou de fumée lors de la mise en marche du four.	<ul style="list-style-type: none"> • Ceci est normal pour un four neuf et disparaît après quelques utilisations. Un cycle d'autonettoyage « brûlera » plus rapidement les odeurs. • La mise en marche d'un ventilateur aide à retirer fumée et odeurs. • Présence de saletés sur la sole. Procéder à un autonettoyage.
Codes d'anomalie.	<ul style="list-style-type: none"> • Les mots BAKE (Cuisson) ou LOCK peuvent clignoter rapidement à l'afficheur pour prévenir d'une erreur ou d'un problème. Si le mot BAKE ou LOCK paraît à l'afficheur, appuyer sur la touche Cancel (Annuler). Si le mot BAKE ou LOCK continue à clignoter, débrancher l'appareil. Attendre quelques minutes, puis rebrancher l'appareil. Si le mot continue à clignoter, débrancher l'appareil et prendre contact avec un réparateur autorisé. • Si le four est très sale, les flammèches peuvent produire un code d'anomalie au cours du cycle d'autonettoyage. Appuyer sur la touche Cancel et laisser le four refroidir complètement, essuyer la saleté en excès puis reprogrammer l'autonettoyage. Si le code d'anomalie réapparaît, prendre contact avec un réparateur autorisé.
Des bruits se font entendre.	<ul style="list-style-type: none"> • Le four fait plusieurs bruits faibles. Il est possible d'entendre les relais du four qui se mettent en marche et s'arrêtent. Ceci est normal. • Alors que le four se réchauffe et se refroidit, il est possible d'entendre des bruits correspondant à la dilatation et à la contraction des pièces métalliques. Ceci est normal et n'endommage pas l'appareil. • Le bruit d'un ventilateur peut être entendu. C'est le ventilateur de refroidissement et ceci est normal. Le ventilateur continue à fonctionner tant que le four n'a pas refroidi.
Il n'y a ni bip ni affichage.	<ul style="list-style-type: none"> • Le four est peut-être en mode sabbat. Voir page 43.
SAb clignote puis reste allumé.	<ul style="list-style-type: none"> • Le four est en mode sabbat. Pour annuler, appuyer sur la touche Clock (Horloge) et maintenir-la enfoncée pendant cinq secondes.



Garantie et service après-vente

Garantie

Garantie limitée d'un an - pièces et main-d'œuvre

Durant une période d'un (1) an à compter de la date de l'achat initial, toute pièce qui se révélerait défectueuse dans les conditions normales d'usage ménager sera réparée ou remplacée gratuitement.

Résidents du Canada

Les garanties ci-dessus couvrent un appareil installé au Canada seulement s'il a été agréé par les agences de test habilitées (vérification de la conformité à une norme nationale du Canada), sauf si l'appareil a été introduit au Canada à l'occasion d'un changement de résidence des États-Unis vers le Canada.

*Les garanties spécifiques formulées ci-dessus sont les **SEULES** que le fabricant accorde. Ces garanties vous confèrent des droits juridiques spécifiques et vous pouvez également jouir d'autres droits, variables d'un État à l'autre ou d'une province à l'autre.*

LE SEUL ET UNIQUE RECOURS DU CLIENT EN VERTU DE CETTE GARANTIE LIMITÉE EST LA RÉPARATION DU PRODUIT COMME DÉCRITE PRÉCÉDEMMENT. LES GARANTIES IMPLICITES, Y COMPRIS LES GARANTIES DE QUALITÉ MARCHANDE OU D'ADAPTATION À UN USAGE PARTICULIER, SONT LIMITÉES À UN AN OU À LA PÉRIODE LA PLUS COURTE PERMISE PAR LA LOI. MAYTAG CORPORATION NE SERA PAS TENUE RESPONSABLE DES DOMMAGES DIRECTS OU INDIRECTS. CERTAINS ÉTATS ET CERTAINES PROVINCES INTERDISENT L'EXCLUSION ET LA LIMITATION DES DOMMAGES DIRECTS OU INDIRECTS AINSI QUE LES LIMITATIONS SUR LA DURÉE DES GARANTIES IMPLICITES DE QUALITÉ MARCHANDE OU D'ADAPTATION À UN USAGE PARTICULIER. IL EST DONC POSSIBLE QUE CES LIMITATIONS NE S'APPLIQUENT PAS À VOUS. CETTE GARANTIE VOUS CONFÈRE DES DROITS JURIDIQUES SPÉCIFIQUES ET IL SE PEUT QUE VOUS AYIEZ D'AUTRES DROITS, QUI VARIENT D'UN ÉTAT À L'AUTRE OU D'UNE PROVINCE À L'AUTRE.

Ne sont pas couverts par ces garanties

1. Les problèmes et dommages résultant des situations suivantes :
 - a. Mise en service, livraison ou entretien effectués incorrectement.
 - b. Toute réparation, modification, altération et tout réglage non autorisés par le fabricant ou par un prestataire de service après-vente agréé.
 - c. Mauvais emploi, emploi abusif, accidents, usage non raisonnable, ou catastrophe naturelle.
 - d. Courant électrique, tension, alimentation électrique ou en gaz incorrects.
 - e. Réglage incorrect d'une commande.
2. Les garanties ne peuvent être honorées si les numéros de série d'origine ont été enlevés, modifiés ou ne sont pas facilement lisibles.
3. Ampoules, filtres à eau et filtres à air.
4. Les produits achetés à des fins commerciales ou industrielles.
5. Les frais de dépannage ou de visite pour :
 - a. Correction d'erreurs de mise en service. Pour les produits nécessitant une ventilation, un conduit métallique rigide doit être utilisé.
 - b. Initiation de l'utilisateur à l'emploi de l'appareil.
 - c. Transport de l'appareil chez le réparateur et retour de l'appareil chez l'utilisateur.
6. Tout aliment perdu en raison de pannes du réfrigérateur ou du congélateur.
7. Dépenses de déplacement et de transport pour la réparation du produit dans des endroits éloignés.
8. Cette garantie n'est pas valide à l'extérieur des États-Unis et du Canada. Communiquez avec votre détaillant pour savoir si une autre garantie s'applique.
9. Dommages indirects ou accessoires subis par toute personne à la suite d'une quelconque violation des garanties. Certains États ou provinces ne permettent pas l'exclusion ou la limitation de responsabilité en ce qui concerne les dommages directs ou indirects. L'exclusion ci-dessus peut en conséquence ne pas s'appliquer à votre cas.

Si vous avez besoin d'aide

Consultez d'abord la section sur le dépannage dans le manuel d'utilisation et d'entretien, puis appelez le détaillant de qui vous avez acheté votre appareil ou le service à la clientèle de Maytag Services, LLC au 1-800-688-9900 aux États-Unis et au 1-800-688-2002 au Canada pour savoir où trouver un réparateur autorisé.

- Veillez à conserver la facture d'achat pour justifier de la validité de la garantie. Pour d'autres renseignements concernant les responsabilités du propriétaire à l'égard du service sous garantie, voir le texte de la GARANTIE.
- Si le détaillant ou l'agence de service après-vente ne peut résoudre le problème, écrivez à Maytag Services, LLC à l'adresse suivante : CAIR® Center, P.O. Box 2370, Cleveland, TN 37320-2370 États-Unis, ou appelez au **1-800-688-9900 aux États-Unis ou au 1-800-688-2002 au Canada**.
- Les guides d'utilisation, les manuels de service et les renseignements sur les pièces sont disponibles auprès du service à la clientèle de Maytag Services, LLC.

Remarques : Veillez à fournir l'information suivante lorsque vous communiquez avec nous au sujet d'un problème :

- a. Vos nom, adresse et numéro de téléphone;
- b. Numéro de modèle et numéro de série de l'appareil;
- c. Nom et adresse de votre détaillant ou de votre agence de service;
- d. Description détaillée du problème observé;
- e. Preuve d'achat (facture de vente).

Amana[®]

Estufa

Guía de Uso y Cuidado



Instrucciones Importantes sobre Seguridad 57-61



Cocinando en la Estufa 62-63

Controles Superiores
Quemadores Sellados



Cocinando en el Horno 64-73

Horneado
'Cook & Hold'
'Cook & Hold' Diferido
Mantener Caliente
Asar a la Parrilla
Parrillas del Horno



Cuidado y Limpieza 74-77

Horno Autolimpiante
Procedimientos de Limpieza



Mantenimiento 78-79

Ventana y Luz del Horno
Retiro de la Estufa a Gas



Localización y Solución de Averías 80-81



Garantía y Servicio 83

Instalador: Por favor deje esta guía junto con el electrodoméstico.

Consumidor: Por favor lea y conserve esta guía para referencia futura. Conserve el recibo de compra y/o el cheque cancelado como comprobante de compra.

Número de Modelo _____

Número de Serie _____

Fecha de Compra _____

Si tiene preguntas, llame a:

Servicio a los clientes

1-800-688-9900 E.E.U.U.

1-800-688-2002 Canadá

(Lunes a Viernes, 8:00 a.m. a 8:00 p.m. Hora del Este)

Internet: <http://www.amana.com>

En nuestro continuo afán de mejorar la calidad y rendimiento de nuestros electrodomésticos, puede que sea necesario modificar el electrodoméstico sin actualizar esta guía.

Para información sobre servicio, ver página 83.



Instrucciones Importantes sobre Seguridad

Las advertencias e instrucciones importantes sobre seguridad que aparecen en esta guía no están destinadas a cubrir todas las posibles circunstancias y situaciones que puedan ocurrir. Se debe ejercer sentido común, precaución y cuidado cuando instale, realice mantenimiento o haga funcionar el artefacto.

Siempre póngase en contacto con el fabricante si surgen problemas o situaciones que usted no comprenda.

Reconozca los símbolos, advertencias, etiquetas de seguridad



ADVERTENCIA

ADVERTENCIA - Peligro o prácticas no seguras que PODRIAN causar lesión personal grave o mortal.



PRECAUCIÓN

PRECAUCIÓN - Peligros o prácticas no seguras que PODRIAN causar lesión personal menos grave.

Lea y siga todas las instrucciones antes de usar este electrodoméstico para evitar el riesgo potencial de incendio, choque eléctrico, lesión personal o daño al electrodoméstico como resultado de su uso inapropiado. Utilice este electrodoméstico solamente para el propósito que ha sido destinado según se describe en esta guía.

Para asegurar funcionamiento correcto y seguro: El electrodoméstico debe ser instalado debidamente y puesto a tierra por un técnico calificado. No intente ajustar, reparar, prestar servicio o reemplazar ninguna pieza de este electrodoméstico a menos que sea específicamente recomendado en esta guía. Todas las reparaciones deben ser realizadas por un técnico calificado. Pida al instalador que le indique la ubicación de la válvula de cierre del gas y como cerrarla en caso de una emergencia.

Siempre desenchufe el electrodoméstico antes de efectuar alguna reparación.



ADVERTENCIA

Si no se sigue estrictamente la información proporcionada en esta guía, se puede producir un incendio o una explosión, causando daños materiales, lesiones personales o mortales.

- No almacene ni use gasolina ni otros vapores y líquidos inflamables en la vecindad de este electrodoméstico o de cualquier otro.
- **QUE HACER SI PERCIBE OLOR A GAS:**
 - No trate de encender ningún artefacto.
 - No toque ningún interruptor eléctrico.
 - No use ningún teléfono en su edificio.
 - Llame inmediatamente a su proveedor de gas desde el teléfono de un vecino. Siga las instrucciones proporcionadas por el proveedor de gas.
 - Si no puede localizar a su proveedor de gas, llame al cuerpo de bomberos.
- La instalación y reparaciones deben ser efectuadas por un técnico calificado, una agencia de reparaciones o el proveedor de gas.



ADVERTENCIA

Puede ocurrir un escape de gas en su sistema y provocar una situación peligrosa. Los escapes de gas no pueden ser detectados por el olor solamente. Los proveedores de gas recomiendan que compre e instale un detector de gas aprobado por el laboratorio UL. Instálelo y úselo de acuerdo con las instrucciones del fabricante.



Instrucciones Importantes sobre Seguridad

Instrucciones Generales

ADVERTENCIA

- **TODAS LAS ESTUFAS SE PUEDEN VOLCAR Y CAUSAR LESIONES PERSONALES**
- **INSTALE EL DISPOSITIVO ANTIVUELCO INCLUIDO CON LA ESTUFA**
- **SIGA TODAS LAS INSTRUCCIONES DE INSTALACION**



ADVERTENCIA: Para reducir el riesgo de vuelco del electrodoméstico a causa de uso anormal o debido a peso excesivo en la puerta del horno, es necesario asegurarlo mediante un dispositivo antivuelco debidamente instalado.

Para verificar si el dispositivo está debidamente instalado, mire debajo de la estufa con una linterna para asegurarse de que uno de los tornillos niveladores traseros esté debidamente enganchado en la ranura del soporte. El dispositivo antivuelco asegura el tornillo nivelador trasero al piso cuando está debidamente enganchado. Esto debe verificarse **cada vez** que la estufa sea movida.

Para Evitar un Incendio o Daño Causado por el Humo

Asegúrese de que se hayan retirado todos los materiales de empaque del electrodoméstico antes de su uso.

Mantenga el área alrededor del electrodoméstico libre y exenta de materiales combustibles, gasolina u otros vapores y materiales inflamables.

Si el electrodoméstico es instalado cerca de una ventana, se debe tener cuidado para evitar que las cortinas pasen sobre los quemadores.

NUNCA deje artículos sobre la cubierta de la estufa. El aire caliente del respiradero puede encender los artículos inflamables y aumentar la presión en los envases cerrados hasta hacerlos reventar.

Muchos envases de tipo aerosol son **EXPLOSIVOS** cuando son expuestos al calor y pueden ser altamente inflamables. Evite su uso o su almacenamiento cerca del electrodoméstico.

Muchos plásticos son vulnerables al calor. Mantenga los plásticos alejados de las piezas de la estufa que puedan estar tibias o calientes. No deje artículos de plástico sobre la cubierta de la estufa pues se pueden derretir o ablandar si están demasiado cerca del respiradero o de un quemador superior encendido.

Para eliminar el riesgo de pasar sobre los quemadores superiores calientes, no se deben guardar artículos en los armarios que están directamente sobre la estufa. Si tales armarios son usados para almacenamiento, debe limitarse a colocar artículos de uso poco frecuente y que pueden guardarse en forma segura en una área que está sujeta al calor proveniente de la estufa. Las temperaturas pueden no ser apropiadas para algunos artículos, tal como líquidos volátiles, limpiadores o sprays en aerosol.

En Caso de Incendio

Apague el electrodoméstico y la campana de ventilación para evitar que las llamas se dispersen. Extinga las llamas luego encienda la campana para expulsar el humo y el olor.

- **En la cubierta:** Apague el fuego o la llama en una sartén con una tapa o una bandeja de hornear.
NUNCA levante o mueva una sartén en llamas.
- **En el horno:** Apague el fuego o la llama cerrando la puerta del horno.

No use agua en los incendios de grasa. Use bicarbonato, un producto químico seco o un extinguidor del tipo con espuma para apagar un incendio o la llama.

Seguridad para los Niños

PRECAUCIÓN

NUNCA almacene artículos de interés para los niños en los armarios que están sobre la estufa o en el protector trasero de la estufa. Los niños que se trepan en la puerta de la estufa para alcanzar tales artículos pueden lesionarse seriamente.

NUNCA deje a los niños solos o sin supervisión cuando el electrodoméstico esté en uso o esté caliente.

NUNCA permita que los niños se sienten o se paren en ninguna parte del electrodoméstico pues se pueden lesionar o quemar.



Instrucciones Importantes sobre Seguridad

Se les debe enseñar a los niños que el electrodoméstico y los utensilios que están en él o sobre él pueden estar calientes. Deje enfriar los utensilios calientes en un lugar seguro, fuera del alcance de los niños pequeños. Se les debe enseñar a los niños que un electrodoméstico no es un juguete. No se debe permitir que los niños jueguen con los controles u otras piezas de la estufa.

Generalidades

ADVERTENCIA

NUNCA use la puerta de este electrodoméstico como peldaño o asiento ya que el electrodoméstico se puede volcar, y causar lesiones graves.

NUNCA use este electrodoméstico como calefactor de área o para elevar la temperatura de la habitación. Esto puede causar envenenamiento por monóxido de carbono y el sobrecalentamiento del horno.

NUNCA cubra ninguna rendija, agujero o canal en la parte inferior del horno o cubra la rejilla completa con materiales tales como el papel de aluminio. Esto evita que el aire fluya a través del horno y puede causar envenenamiento por monóxido de carbono. El papel de aluminio también puede contener el calor y producir un riesgo de incendio.

NUNCA obstruya el flujo del aire de combustión y de ventilación cubriendo las entradas o salidas de aire del horno. Esto puede restringir el acceso del aire a los quemadores y causar envenenamiento por monóxido de carbono.

El respiradero del horno se encuentra en la parte trasera de la superficie de cocción.

Evite tocar el área del respiradero mientras el horno esté encendido y durante varios minutos después de haberlo apagado. Algunas partes del respiradero y del área que lo rodea se calientan lo suficiente como para causar quemaduras. Después de apagar el horno, no toque el respiradero o el área que lo rodea hasta que haya tenido suficiente tiempo para enfriarse.

Otras superficies que pueden estar calientes incluyen la cubierta, las superficies que están dirigidas hacia la cubierta, el respiradero del horno, las superficies cercanas a la abertura del respiradero, la puerta del horno y la área que la rodea, y la ventanilla del horno.

No toque un foco de horno caliente con un paño húmedo ya que se puede romper. Si el foco se rompe, desconecte el suministro eléctrico al electrodoméstico antes de retirar el foco para evitar un choque eléctrico.

No use la cubierta o el horno como una área para almacenar alimentos o utensilios de cocina.

Seguridad Para Cocinar

Siempre coloque un utensilio en un quemador superior antes de encenderlo. Asegúrese de usar la perilla correcta que controla cada quemador superior. Asegúrese de encender el quemador correcto y comprobar de que en efecto el quemador haya sido encendido. Cuando haya terminado de cocinar, apague el quemador antes de retirar el utensilio para evitar exposición a la llama del quemador.

Siempre ajuste la llama del quemador superior de modo que no se extienda más allá del borde inferior del utensilio. Una llama excesiva es peligrosa, desperdicia energía y puede dañar la estufa, el utensilio o los armarios que están sobre la estufa.

NUNCA deje sin supervisión la cubierta de la estufa cuando esté cocinando, especialmente cuando usa un ajuste de calor alto o cuando esté usando una freidora. Los reboses pueden producir humo y los derrames de grasa pueden inflamarse. Limpie los derrames grasosos tan pronto como sea posible. No use calor alto durante períodos de cocción prolongados.

NUNCA caliente un envase cerrado en el quemador superior o en el horno. La acumulación de presión puede hacer explotar el envase causando una lesión personal grave o daño a la estufa.

Use tomaollas secos y gruesos. Los tomaollas húmedos pueden causar quemaduras a causa del vapor. Las toallas u otros sustitutos no deben ser usados como tomaollas porque ellos pueden quedar colgando a través de los quemadores superiores y encenderse o enredarse en las piezas de la estufa.

Siempre deje enfriar la grasa caliente que se ha usado en la freidora antes de intentar mover o manipularla.

No permita que se acumule grasa u otros materiales inflamables en la estufa o cerca de ella, en la campana o en el ventilador aspirador. Limpie la campana extractora con frecuencia para evitar que la grasa u otros materiales inflamables se acumulen en la campana o en el filtro. Encienda el ventilador cuando cocine alimentos flameados debajo la campana.

NUNCA use vestimentas de materiales inflamables, ropa suelta o de mangas largas cuando esté cocinando. La vestimenta se puede encender o enganchar en los mangos de los utensilios.



Instrucciones Importantes sobre Seguridad

Siempre coloque las parrillas del horno en la posición deseada cuando el horno esté frío. Deslice la parrilla del horno hacia afuera para agregar o retirar alimento, usando tomaallas secos y resistentes. Siempre evite alcanzar dentro del horno para agregar o retirar alimentos. Si una parrilla debe ser sacada cuando está todavía caliente, use un tomaallas seco. Siempre apague el horno después de haber terminado de cocinar.

Tenga cuidado cuando abra la puerta del horno. Deje que escape el aire o el vapor caliente antes de sacar o volver colocar el alimento.

ADVERTENCIA SOBRE LOS ALIMENTOS PREPARADOS:

Siga las instrucciones del fabricante de los alimentos. Si un envase de plástico de alimento congelado y/o su tapa se deforma, se comba o se daña de alguna otra manera durante la cocción, descarte inmediatamente el alimento y su envase. El alimento puede estar contaminado.

NUNCA use papel de aluminio para cubrir una parrilla del horno o la parte inferior del horno. El uso incorrecto puede resultar en un riesgo de choque eléctrico, incendio o daño al electrodoméstico. Use papel de aluminio solamente como se indica en esta guía.

Utensilios Apropriados

Use sartenes con fondos planos y mangos que sean fáciles de tomar y que permanezcan fríos. Evite usar sartenes u ollas inestables, combadas que se pueden volcar fácilmente u ollas cuyos mangos estén sueltos. Además evite usar utensilios especialmente pequeños o sartenes con mangos pesados pues ellos pueden ser inestables y volcarse fácilmente. Los utensilios que son pesados de mover cuando están llenos con alimento pueden también ser un peligro.

Asegúrese de que el utensilio sea lo suficientemente grande como para contener en forma debida los alimentos y evitar derrames. El tamaño es particularmente importante cuando se utilizan freidoras. Asegúrese de que el utensilio tiene capacidad para el volumen de alimentos que se va a agregar al igual que para la formación de burbujas de la grasa.

Para reducir a un mínimo las quemaduras y que los materiales inflamables y los derrames se enciendan debidos a contacto no intencional con el utensilio, los mangos no deben extenderse sobre el quemador superior adyacente. Siempre gire los mangos de los utensilios hacia el lado o hacia la parte trasera de la estufa, no hacia la habitación donde puede ser fácilmente golpeados o alcanzados por los niños pequeños.

Nunca deje que un utensilio hierva hasta quedar seco pues esto puede dañar el utensilio y la estufa.

Siga las instrucciones del fabricante cuando use bolsas para cocinar en el horno.

Solamente ciertos tipos de utensilios de vidrio cerámico, de cerámica o glaseados son convenientes para uso en la cubierta de la estufa o en el horno sin quebrarse debido al cambio repentino de temperatura. Siga las instrucciones del fabricante cuando use utensilios de vidrio.

Este electrodoméstico ha sido probado respecto a su rendimiento seguro usando utensilios de cocina convencionales. No use ningún dispositivo o accesorio que no haya sido específicamente recomendado en esta guía. No use tapas para cubrir los quemadores superiores, rejillas para la cubierta de la estufa ni agregue sistemas de convección para hornos. El uso de dispositivos o accesorios que no son expresamente recomendados en esta guía, puede crear serios peligros de seguridad, resultar en problemas de rendimiento y reducir la vida útil de los componentes de la estufa.

Seguridad de la Limpieza

Apague todos los controles y espere que se enfríen las piezas de la estufa antes de tocarlas o limpiarlas. No toque las rejillas de los quemadores o las áreas circundantes hasta que ellas no hayan tenido tiempo suficiente de enfriarse.

Limpie la estufa con cuidado. Tenga cuidado para evitar quemaduras de vapor si se usa una esponja o un paño mojado para limpiar los derrames en una superficie caliente. Algunos limpiadores pueden producir vapores nocivos cuando se aplican a una superficie caliente.

Horno Autolimpiante



PRECAUCIÓN

Antes de activar la autolimpieza, retire las parrillas del horno, la asadera, los alimentos y cualquier otro utensilio del interior del horno. Limpie los derrames para evitar humo excesivo y llamaradas.

Limpie solamente las piezas que se indican en esta guía. No limpie la junta de la puerta. La junta es esencial para un sellado hermético. No restriegue, dañe, ni mueva la junta de la puerta. No use limpiadores de horno de ninguna clase en el horno ni alrededor de cualquier parte del horno autolimpiante.



Instrucciones Importantes sobre Seguridad

Es normal que la cubierta de la estufa se caliente durante el ciclo de autolimpieza. Por lo tanto, se debe evitar tocar la cubierta durante un ciclo de autolimpieza.

Aviso y Advertencia Importante Sobre Seguridad

La Propuesta 65 de la Ley de 1986 del Estado de California Sobre Seguridad y Contaminación del Agua Potable (California Safe Drinking Water and Toxic Enforcement Act of 1986) exige que el Gobernador de California publique una lista de las sustancias que según el estado de California causan cáncer o daño al sistema reproductivo y exige que las empresas adviertan a sus clientes sobre la exposición potencial a tales sustancias.

Se advierte a los usuarios de esta estufa que la combustión del gas puede resultar en exposición de bajo nivel a algunas de las sustancias publicadas en la lista, incluyendo benceno, formaldehído y hollín, debido principalmente a la combustión incompleta del gas natural o de los combustibles de petróleo licuado. Los quemadores ajustados en forma debida reducirán la combustión incompleta. La exposición a estas

sustancias puede también ser reducida a un mínimo ventilando los quemadores al exterior en forma adecuada.

Se advierte a los usuarios de este electrodoméstico que cuando el horno está funcionando en el ciclo de autolimpieza, puede haber exposición de bajo nivel a algunas de las sustancias indicadas en la lista, incluyendo monóxido de carbono. La exposición a estas sustancias puede ser reducida a un mínimo ventilando el horno al exterior en forma adecuada, abriendo las ventanas y/o la puerta en la habitación en donde está ubicado el electrodoméstico durante el ciclo de autolimpieza.

AVISO IMPORTANTE RESPECTO A LOS PAJAROS DOMESTICOS:

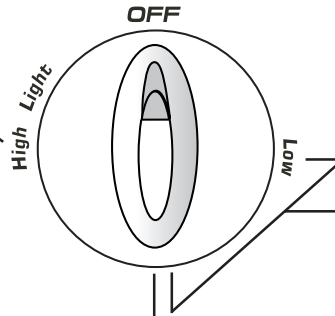
Nunca mantenga los pájaros en la cocina o en las habitaciones donde puedan llegar los humos de la cocina. Los pájaros tienen un sistema respiratorio muy sensitivo. Los humos producidos durante el ciclo de autolimpieza del horno pueden ser perjudiciales o mortales para los pájaros. Los humos que despiden el aceite de cocina recalentado, la grasa, margarina y los utensilios antiadherentes recalentados pueden también ser perjudiciales.

Conserve estas Instrucciones para Referencia Futura



Cocinando en la Estufa

'High' (Alto): Se usa para hacer hervir un líquido o alcanzar la presión adecuada en una olla a presión. Siempre reduzca el ajuste a un calor más bajo cuando los líquidos comiencen a hervir o cuando los alimentos comiencen a cocinarse.



'Medium to Low' (Intermedio a Bajo): Se usa para calentar alimentos a fuego lento, mantener los alimentos calientes y derretir chocolate o mantequilla. Se puede cocinar en el ajuste 'Low' siempre que el utensilio esté tapado. Es posible reducir el calor girando la perilla a la posición **'OFF'** (Apagado). Asegúrese de que la llama sea estable.

Se usa una llama de tamaño intermedio para continuar cocinando. El alimento no se cocinará más rápido cuando se usa un ajuste de llama más alto que el necesario para mantener un hervor suave. El agua hierve a la misma temperatura si está hirviendo suave o vigorosamente.

Controles Superiores

! PRECAUCIÓN

- Si la llama se apaga cuando esté cocinando, apague el quemador. Si se detecta un olor fuerte a gas, abra una ventana y espere cinco minutos antes de volver a encender el quemador.
- Asegúrese de que todos los controles superiores estén en la posición **'OFF'** antes de suministrar gas a la estufa.
- **NUNCA** toque la superficie de la estufa hasta que no se haya enfriado. Se espera de que algunas de las piezas de la superficie, especialmente alrededor de los elementos, se entibien o calienten mientras está cocinando. Use toallas para proteger sus manos.

Programación de los Controles:

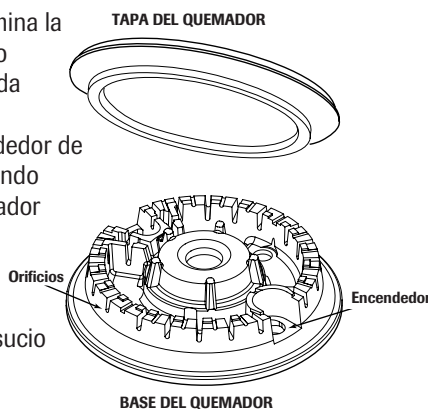
El tamaño y el tipo de utensilio afectarán el ajuste de calor.

1. Coloque un utensilio sobre la rejilla del quemador.
 - La llama del quemador puede levantarse o parecer separada del orificio si no se coloca un utensilio en la rejilla.
2. Oprima y gire la perilla a la izquierda al ajuste **'Light'** (Encendido).
 - Se oirá un chasquido (chispa) y el quemador se encenderá. (Todos los quemadores producirán chispa cuando se coloque la perilla de cualquiera de los quemadores en la posición **'Light'**.)
3. Después que el quemador se ha encendido, gire la perilla al tamaño de llama deseado.
 - El encendedor continuará produciendo chispas hasta que la perilla sea girada más allá de la posición **'Light'**.

Encendido Sin Piloto

El encendido sin piloto elimina la necesidad de una luz piloto constante permanente. Cada uno de los quemadores superiores tiene un encendedor de chispa. Tenga cuidado cuando limpie alrededor del quemador superior.

Si el quemador superior no enciende, verifique si el encendedor está dañado, sucio o mojado.



Perillas de Control de los Elementos Superiores

Se utilizan para encender los quemadores superiores. Se dispone de una selección infinita de ajustes de calor desde 'Low' a 'High'. En el ajuste 'High' se puede sentir un tope o una muesca. Las perillas pueden ser ajustadas exactamente en los ajustes correspondientes o entre cualquiera de ellos.

Las ilustraciones cerca de la perilla identifican cual es el quemador que controla esa perilla. Por ejemplo, la ilustración a derecha muestra la ubicación del quemador delantero izquierdo.



Funcionamiento durante una Interrupción de la Energía Eléctrica

! PRECAUCIÓN

Cuando se encienden los quemadores superiores, asegúrese de que todas las perillas de control estén en la posición **'OFF'**. Primero encienda el fósforo y manténgalo en posición antes de girar la perilla al ajuste **'Light'**.

1. Acerque un fósforo encendido a la cabeza del quemador superior deseado.
2. Oprima y gire la perilla de control lentamente a la posición **'Light'**.
3. Ajuste la llama al nivel deseado.

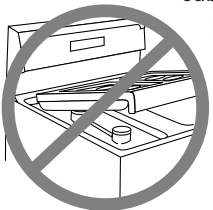


Cocinando en la Estufa

Cubierta

Para evitar que la cubierta se descolore o se manche:

- Limpie la cubierta de la estufa después de cada uso.
- Limpie los derrames ácidos o azucarados tan pronto como la cubierta se haya enfriado pues estos derrames pueden descolorar la porcelana.



A diferencia de una estufa con quemadores de gas estándar, esta cubierta no se levanta ni tampoco es removible. **No intente levantar la cubierta por ningún motivo.**

Quemadores Sellados

Los quemadores sellados de su estufa están asegurados a la cubierta y no han sido diseñados para ser sacados. Debido a que los quemadores están sellados en la cubierta, los derrames o reboses no se escurrirán debajo de la cubierta de la estufa.

Sin embargo, las tapas de los quemadores y la base del quemador pueden ser limpiados después de cada uso. La parte de la tapa del quemador puede ser fácilmente sacada para su limpieza. (Ver en la página 76 las instrucciones sobre la limpieza.)

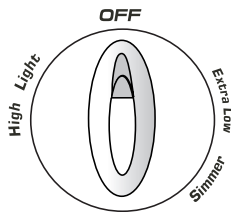
Las tapas de los quemadores deben estar correctamente colocadas en la base del quemador a fin de que éste funcione de manera apropiada.

Quemador de Alto Rendimiento (16.000 BTU*)

Existe un quemador de alto rendimiento en su estufa, situado en la posición derecha delantera. Este quemador ofrece cocción más rápida y puede ser usado para hervir agua con rapidez o para cocinar grandes cantidades de alimento.

Quemador para Cocinar a Fuego Lento

Este quemador se encuentra en la posición izquierda trasera. El quemador de cocción a fuego lento proporciona un ajuste 'Extra Low' (extra bajo) con una llama de menor potencia* para derretir chocolate o mantequilla.

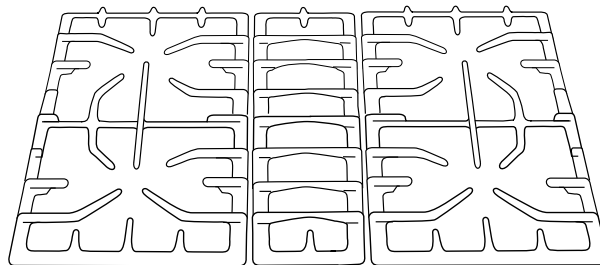


*El régimen nominal de BTU variará cuando se usa gas licuado. ● ○

Rejillas de los Quemadores

Las rejillas deben estar debidamente colocadas antes de comenzar a cocinar. Cuando instale las rejillas, coloque los extremos de las lengüetas hacia el centro, de manera que coincidan con las barras derechas.

La instalación incorrecta de las rejillas puede resultar en picaduras de la cubierta.



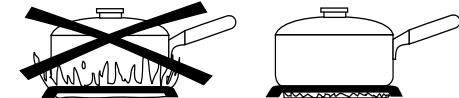
No use los quemadores sin tener un utensilio en la rejilla. El acabado de porcelana de las rejillas puede picarse si no existe un utensilio que absorba el calor de la llama del quemador.

Tenga cuidado al revolver el alimento de una olla o sartén colocado sobre la rejilla del quemador. Las rejillas tienen un acabado suave para facilitar su limpieza. La olla o sartén pueden resbalar si no se sujetan por el mango. Esto puede provocar derrame de alimentos calientes y constituir un riesgo de sufrir una quemadura.

Aunque las rejillas de los quemadores son durables, gradualmente perderán su brillo y/o se descolorarán, debido a las altas temperaturas de la llama del gas.

Notas

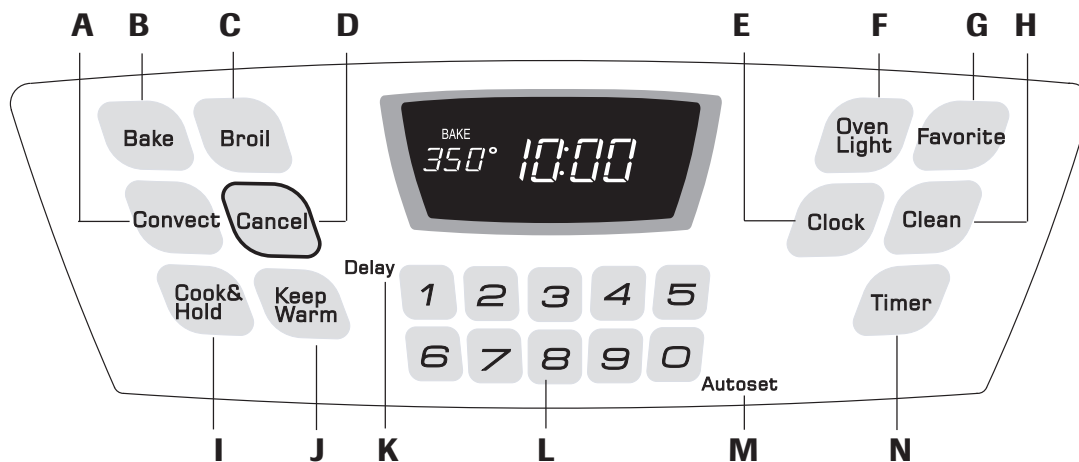
- Un quemador ajustado de manera correcta con orificios limpios se encenderá dentro de unos pocos segundos. Si está usando gas natural la llama será azul con un cono interior azul profundo. Si la llama del quemador es amarilla o es ruidosa, la mezcla de aire/gas puede ser incorrecta. Póngase en contacto con un técnico de servicio para ajustarla. (Los ajustes no están cubiertos por la garantía.)
- Con gas licuado son aceptables algunas puntas amarillas en la llama. Esto es normal y no es necesario hacer ningún ajuste.
- Con algunos tipos de gas, usted puede oír un "chasquido" cuando el quemador superior se apaga. Este es un sonido normal del funcionamiento del quemador.
- Si la perilla de control se gira muy rápidamente de 'High' (Alto) a 'Low' (Bajo), la llama puede apagarse, particularmente si el quemador está frío. Si esto ocurre, gire la perilla a la posición 'OFF' (Apagado), espere algunos segundos y vuelva encender el quemador.
- La llama debe ser ajustada de modo que no se extienda más allá del borde del utensilio.





Cocinando en el Horno

Panel de Control



El panel de control ha sido diseñado para su fácil programación. El indicador visual en el panel de control muestra la hora del día, el temporizador y las funciones del horno. El panel de control mostrado arriba incluye las características específicas del modelo. (El estilo del panel de control varía según el modelo.)

A	'Convect' (Convección) (modelos selectos)	Se usa para hornear o asar por convección.
B	'Bake' (Hornear)	Se usa para hornear y asar.
C	'Broil' (Asar a la Parrilla)	Se usa para asar a la parrilla y dorar los alimentos.
D	'Cancel' (Cancelar)	Cancelar todas las funciones a excepción del temporizador y el reloj.
E	'Clock' (Reloj)	Se usa para programar la hora del día.
F	'Oven Light' (Luz del Horno)	Se usa para encender o apagar la luz del horno.
G	'Favorite' (Favorito)	Se usa para programar y guardar un procedimiento específico de 'Cook & Hold'.
H	'Clean' (Limpieza)	Se usa para programar un ciclo de autolimpieza.
I	'Cook & Hold' (Cocción y Mantener Caliente)	Se usa para hornear durante un tiempo seleccionado, luego mantiene el alimento caliente durante una hora.
J	'Keep Warm' (Mantener Caliente)	Se usa para mantener caliente en el horno el alimento cocinado.
K	'Delay' (Diferido)	Programa el horno para comenzar a hornear o limpiarse a una hora posterior.
L	Teclas Numéricas	Se usa para programar los tiempos y temperaturas.
M	'Autoset' (Programación Automática)	Se usa para programar temperaturas con rapidez.
N	'Timer' (Temporizador)	Programa al temporizador.

Uso de las Teclas

- Oprima la tecla deseada.
- Oprima las teclas numéricas para programar el tiempo o la temperatura.
- Oprima la tecla **'Autoset 0'** (Programación Automática) para programar la temperatura.
- Se escuchará una señal sonora cada vez que oprima una tecla.
- Se escucharán dos señales sonoras si ocurre un error en la programación.

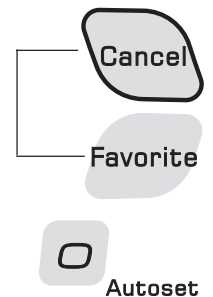
Nota: Cuatro segundos después de haber oprimido las teclas numéricas o la tecla **'Autoset 0'**, se programará automáticamente el tiempo o la temperatura. Si transcurren más de 30 segundos después de haber oprimido una tecla de función y antes de oprimir las teclas numéricas o la tecla **'Autoset 0'**, la función será cancelada y el indicador visual volverá al despliegue anterior.

'Clock' (Reloj)

El reloj puede ser ajustado para desplegar la hora ya sea en formato de 12 horas o 24 horas. El reloj ha sido programado en la fábrica para el formato de 12 horas.

Para cambiar el reloj a formato de 24 horas:

1. Oprima y mantenga oprimidas las teclas **'Cancel'** y **'Favorite'** durante tres segundos.
 - '12 Hr' destella en la pantalla.
2. Oprima la tecla **'Autoset 0'** para seleccionar 24 horas; oprímala nuevamente para seleccionar '12 Hr'.
3. Programe la hora del día siguiendo las instrucciones indicadas en la sección Programación del reloj.





Cocinando en el Horno

Programación del Reloj:

- Oprima la tecla **'Clock'** (Reloj).
 - En el indicador destella la hora del día.
- Oprima las teclas numéricas apropiadas para programar la hora del día.
 - Los dos puntos destellan en el indicador.
- Oprima la tecla **'Clock'** nuevamente o espere cuatro segundos.
 - Los dos puntos permanecerán iluminados.

Clock

Quando se conecta energía eléctrica al horno o después de una interrupción de la energía eléctrica, la última hora del reloj previa a la interrupción destellará en el indicador.

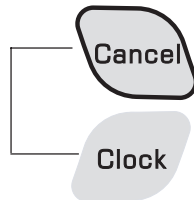
Para desplegar la hora del día cuando el indicador esté mostrando otra función de tiempo, oprima la tecla **'Clock'**.

La hora del reloj no puede ser cambiada cuando el horno ha sido programado para 'Delay Cook or Clean' (Horneado o Limpieza Diferido) o 'Cook & Hold' (Cocción y Mantener Caliente).

Para cancelar el despliegue del reloj:

Si no desea que el indicador visual muestre la hora del día:

Oprima y mantenga oprimida las teclas **'Cancel'** (Cancelar) y **'Clock'** durante tres segundos. La hora del día desaparecerá del indicador.



Quando se cancela el despliegue del reloj, oprima la tecla **'Clock'** para desplegar brevemente la hora del día.

Quando se cancela el despliegue del reloj, después de 15 minutos, el control del horno pasará a Modo de Reserva para ahorrar energía. El indicador visual estará en blanco y la luz del horno no funcionará. Para activar el control y sacarlo del modo de reserva, oprima cualquier tecla. Se escucharán dos señales sonoras.

Para restaurar el despliegue del reloj:

Oprima y mantenga oprimida las teclas **'Cancel'** y **'Clock'** durante tres segundos. La hora del día reaparecerá del indicador.

'Timer' (Temporizador)

El temporizador puede ser programado de un minuto (0:01) hasta 99 horas y 59 minutos (99:59).

El temporizador puede ser usado independientemente de cualquier otra actividad del horno. Además puede ser programado cuando otra función del horno esté en funcionamiento.

El temporizador no controla el horno. Solamente controla una señal sonora.

Para programar el temporizador:

- Oprima la tecla **'Timer'**.
 - En el indicador visual destellará '0:00' y 'TIMER'.
- Oprima las teclas numéricas apropiadas hasta que el tiempo correcto aparezca en el indicador visual.
 - Los dos puntos y 'TIMER' continuarán destellando.

Timer

- Oprima nuevamente la tecla **'Timer'** o espere cuatro segundos.
 - Los dos puntos dejan de destellar y el tiempo comienza la cuenta regresiva.
 - El último minuto de la cuenta regresiva del temporizador se desplegará en segundos.
- Al final del tiempo programado, se escuchará una señal sonora larga y 'End' (Fin) se desplegará en el indicador visual.
- Oprima la tecla **'Timer'** para despejar el indicador visual.

Para cancelar el temporizador:

- Oprima y mantenga oprimida la tecla **'Timer'** durante tres segundos.
 - U
- Oprima la tecla **'Timer'** y oprima **'0'** usando las teclas numéricas.

Timer



Bloqueo de los Controles y de la Puerta del Horno

El teclado y la puerta del horno pueden ser bloqueados para seguridad, limpieza o evitar el uso no autorizado. Las teclas no funcionan cuando están bloqueadas.

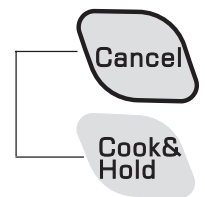
Si el horno está en funcionamiento, las teclas ni la puerta puede ser bloqueada.

La hora actual del día permanecerá en el indicador cuando las teclas y la puerta esté bloqueada.

Para bloquear:

Oprima y mantenga oprimidas las teclas **'Cancel'** y **'Cook & Hold'** durante tres segundos. (Oprima primero la tecla **'Cancel'**).

- En el indicador visual aparece 'OFF' (Apagado).
- 'LOCK' (Bloquear) destella cuando la puerta se está bloqueando.



Para desbloquear:

Oprima y mantenga oprimidas las teclas **'Cancel'** y **'Cook & Hold'** durante tres segundos. (Oprima primero la tecla **'Cancel'**). 'OFF' desaparece del indicador visual.

Nota: Las teclas y la puerta del horno no puede bloquearse si la temperatura del horno es 205° C (400° F) o superior.

Códigos de Errores

'BAKE' (Hornear) o 'LOCK' pueden destellar rápidamente para advertirle que hay un error o un problema. Si 'BAKE' o 'LOCK' destellan en el indicador visual, oprima la tecla **'Cancel'**. Si 'BAKE' o 'LOCK' continúan destellando, desconecte la corriente eléctrica hacia el artefacto. Espere unos pocos minutos y vuelva a conectar la corriente eléctrica. Si las palabras aún continúan destellando, desconecte la corriente eléctrica hacia el artefacto y llame a un técnico de servicio autorizado.



Cocinando en el Horno

Horneado

Para programar 'Bake' (Hornear):

- Oprima la tecla **'Bake'**.
 - 'BAKE' y '000' destellará en el indicador visual.
- Seleccione la temperatura del horno. Oprima la tecla **'Autoset 0'** (Programación Automática) para 175° C (350° F) o las teclas numéricas apropiadas.
 - Cada vez que oprima la tecla **'Autoset 0'** la temperatura se aumentará en 15° C (25° F).
 - La temperatura del horno puede ser programada de 75° a 285° C (170° a 550° F).
- Oprima la tecla **'Bake'** nuevamente o espere cuatro segundos.
 - 'BAKE' dejará de destellar y se iluminará en el indicador visual.

Bake



Autoset



- En el indicador visual se desplegará 38° (100°) o la temperatura real del horno si es que es superior a 38° C (100° F). La temperatura aumentará en incrementos de 3° C (5° F) hasta llegar a la temperatura programada.
- Espere a que el horno se precaliente durante 8-15 minutos.
 - Cuando el horno llega a la temperatura programada se escuchará una señal sonora larga.
 - La temperatura programada se desplegará en el indicador visual.
 - Para verificar la temperatura programada durante el precalentamiento del horno, oprima la tecla 'Bake'.
- Coloque el alimento en el horno.
- Verifique el progreso de la cocción cuando haya transcurrido el tiempo mínimo recomendado. Continúe la cocción si es necesario.
- Al término de la cocción, oprima la tecla **'Cancel'**.
- Retire el alimento del horno.

Cancel

Notas sobre Horneado

- Para cambiar la temperatura del horno durante el proceso de cocción**, oprima la tecla **'Bake'**, luego oprima **'Autoset 0'** o las teclas numéricas apropiadas hasta que se despliegue la temperatura deseada.
- Para cambiar la temperatura del horno durante 'Preheat'**, oprima **dos veces** la tecla **'Bake'**, luego oprima **'Autoset 0'** o las teclas numéricas apropiadas hasta que se despliegue la temperatura deseada.
- Si olvida apagar el horno, se apagará automáticamente después de transcurrir 12 horas. Si desea desactivar esta característica, vea la página 70.

Diferencias del horneado entre su horno antiguo y su horno nuevo

Es normal observar algunas diferencias en el tiempo de horneado de su horno antiguo y su horno nuevo. Vea "Ajuste de la Temperatura del Horno" en la página 71.

Horneado y Asado por Convección (modelos selectos)

Cuando hornee por convección, programe la temperatura normal de horneado. El control reducirá automáticamente la temperatura programada en 15° C (25° F). En el indicador visual se desplegará la temperatura programada. **El ventilador de convección comenzará a funcionar después de que el horno haya estado encendido durante aproximadamente cinco minutos.**

Para programar 'Convect Bake' (Horneado por Convección):

- Oprima la tecla **'Convect'** (Convección).
 - 'BAKE' y el ícono del ventilador destellarán.
 - '000' destellará en el indicador visual.
- Seleccione la temperatura del horno. Oprima la tecla **'Autoset 0'** para 175° C (350° F) o las teclas numéricas apropiadas.
 - Cada vez que oprima la tecla **'Autoset 0'** la temperatura se aumentará en 15° C (25° F). La temperatura del horno puede ser programada de 75° a 285° C (170° a 550° F).
- Oprima la tecla **'Convect'** nuevamente o espere cuatro segundos.
 - 'BAKE' dejará de destellar.
 - En el indicador visual se desplegará 38° (100°) o la temperatura real del horno si es que es superior a 38° C (100° F). La temperatura aumentará en incrementos de 3° C (5° F) hasta llegar a la temperatura programada.
 - El ícono del ventilador comenzará a girar.
- Espere a que el horno se precaliente durante 8-15 minutos.
 - Cuando el horno llega a la temperatura programada se escuchará una señal sonora larga.
 - Se desplegará la temperatura programada.
 - Para verificar la temperatura programada durante el precalentamiento del horno, oprima la tecla **'Convect'**.

Convect



Autoset





Cocinando en el Horno

- Coloque el alimento en el horno.
- Verifique el progreso de la cocción cuando haya transcurrido el tiempo mínimo recomendado. Continúe la cocción si es necesario.
- Al término de la cocción, oprima la tecla **'Cancel'** (Cancelar).
- Retire el alimento del horno.

Cancel

Notas sobre Asado por Convección

- Los tiempos de asar pueden variar con los diferentes cortes de carne.
- No es necesario precalentar el horno cuando se asan por convección cortes de carne grandes.

'Cook & Hold' (Cocción y Mantener Caliente)

Cuando se usa la opción 'Cook & Hold', el horno comienza a calentar inmediatamente después de que el control ha sido programado. Luego, el horno cocina durante un período de tiempo especificado. Cuando ese tiempo expira, el horno mantendrá el alimento caliente hasta durante una hora y luego se apagará automáticamente.

Para programar 'Cook & Hold':

- Oprima la tecla **'Cook & Hold'**.
 - 'HOLD' (Mantener) destellará para indicarle que usted está programando 'Cook & Hold'.
 - '00:00' destellará en el indicador visual.
- Seleccione la cantidad de tiempo que usted desea cocinar usando las teclas numéricas.
 - 'HOLD' continúa destellando.
 - El tiempo se iluminará en el indicador visual.
 - El tiempo puede programarse de 10 minutos (00:10) a 11 horas, 59 minutos (11:59).
- Cuando HOLD esté destellando, oprima **'Bake'** (Hornear) o **'Convect'** (Convección) para seleccionar la temperatura del horno. Oprima la tecla **'Autoset 0'** (Programación Automática) para 175° C (350° F) o las teclas numéricas apropiadas.
 - 'BAKE' destellará en el indicador visual.
 - La temperatura del horno puede ser programada de 75° a 285° C (170° a 550° F).
- Oprima nuevamente la tecla **'Bake'** o **'Convect'** O espere cuatro segundos.
 - 'BAKE' permanecerá iluminado.
 - En el indicador visual se desplegará el tiempo de cocción.
 - La temperatura real del horno se desplegará durante el precalentamiento.
 - La temperatura programada se desplegará cuando el horno se haya precalentado.

Cook & Hold

Bake

Autoset

Cuando haya expirado el tiempo de cocción:

- Se escucharán cuatro señales sonoras.
- 'HOLD' y 'WARM' (Tibia) se iluminarán.
- En el indicador se desplegará 75° (170°).
- Se desplegará la hora del día.



Después de una hora en 'HOLD WARM' (Mantener Caliente):

- El horno se apaga automáticamente.
- 'HOLD' y 'WARM' se apagan.
- Retire el alimento del horno.

Para cancelar 'Cook & Hold' en cualquier momento:

Oprima la tecla **'Cancel'**. Retire el alimento del horno.

Cancel

'Delay Cook & Hold' ('Cook & Hold' Diferido)



PRECAUCIÓN

No use horneado diferido para alimentos de corta duración tales como productos lácteos, cerdo, carne de ave o mariscos.

Cuando usa 'Delay', el horno comienza a cocinar más tarde en el día. Programe la cantidad de tiempo que usted desea diferir antes de que se encienda el horno y cuanto tiempo desea cocinar el alimento. El horno comienza a calentar en la hora seleccionada y cocina durante el tiempo especificado.

El tiempo diferido puede programarse de 10 minutos (00:10) hasta 11 horas, 59 minutos (11:59).

Para programar un ciclo de 'Cook & Hold' diferido:

- Oprima la tecla **'Delay 1'** (Diferido).
 - 'DELAY' se destella en el indicador.
 - '00:00' destella en el indicador.
- Usando las teclas numéricas apropiadas, **programe la cantidad de tiempo que usted desea diferir** el comienzo del ciclo 'Cook & Hold'.
- Oprima la tecla **'Cook & Hold'**.
 - 'HOLD' y 'DELAY' destellan en el indicador visual.
 - '00:00' destella en el indicador visual.
- Programe la cantidad de tiempo que usted desea cocinar** usando las teclas numéricas.
- Oprima **'Bake'** o **'Convect'** (modelos selectos).

Delay

1

Cook & Hold

Bake



Cocinando en el Horno

6. **Programa la temperatura del horno** deseada oprimiendo la tecla **'Autoset 0'** o las teclas numéricas apropiadas.



- '175°' ('350°') se iluminará cuando se oprime **'Autoset 0'** (Programación Automática).
- Después de cuatro segundos, el tiempo diferido programado aparecerá en el indicador visual.
- 'HOLD' (Mantener) se apaga.
- Las palabras 'BAKE' (Hornear) y 'DELAY' (Diferido) permanecen iluminadas para recordarle que se ha programado un ciclo de 'Cook & Hold' diferido.

Notas:

- No use 'Cook & Hold' diferido para artículos que requieren un horno precalentado, tales como pasteles, galletas y panes.
- No use 'Cook & Hold' diferido si el horno ya está caliente.

'Keep Warm' (Mantener Caliente)

Para mantener calientes en forma segura alimentos calientes o para calentar panes y platos.

Para programar 'Keep Warm':

1. Oprima la tecla **'Keep Warm'** en el indicador visual.

Keep Warm

- 'WARM' destella en el indicador visual.
- '000' destella en el indicador visual.



2. Seleccione la temperatura de 'Keep Warm'.

Oprima la tecla **'Autoset 0'** o las teclas numéricas apropiadas.

- 75° (170°) se iluminará cuando se oprima la tecla 'Autoset 0'.
- Cada vez que oprima la tecla **'Autoset 0'**, la temperatura aumentará en 3° C (5° F).

La temperatura de 'Keep Warm' puede ser programada de 63° a 90° C (145° a 190° F).

'WARM' (Tibio) y la temperatura se desplegarán en el indicador cuando la función esté activa.



Para cancelar 'Keep Warm':

1. Oprima la tecla **'Cancel'** (Cancelar).
2. Retire el alimento del horno.



Notas sobre 'Keep Warm'

- Para calidad óptima de los alimentos, los alimentos cocinados en el horno deben ser mantenidos calientes por no más de 1 a 2 horas.
- Para evitar que los alimentos se sequen, cúbralos levemente con papel de aluminio o una tapa.
- **Para calentar panecillos:**
 - cubra levemente los panecillos con papel de aluminio y colóquelos en el horno.
 - oprima las teclas **'Keep Warm'** y **'Autoset 0'**.
 - caliente durante 12 a 15 minutos.
- **Para calentar platos:**
 - coloque 2 filas de cuatro platos cada una en el horno.
 - oprima las teclas **'Keep Warm'** y **'Autoset 0'**.
 - caliente los platos durante cinco minutos, apague el horno y deje los platos en el horno durante 15 minutos más.
 - use solamente platos resistentes al horno, verifique con el fabricante.
 - no coloque los platos calientes sobre una superficie fría pues el cambio rápido de temperatura puede causar fisuras superficiales o rotura.



Cocinando en el Horno

‘Broiling’ (Asar a la Parrilla)

⚠ PRECAUCIÓN

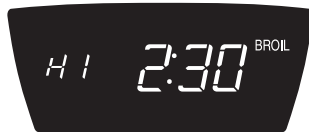
Tenga CUIDADO cuando cocine con la función ‘Broil’. La grasa proveniente de los alimentos grasos se puede encender. Si ocurre un incendio, cierre la puerta del horno y **APÁGUELO**. Si el fuego no se apaga, NO vierta agua sobre el fuego. Use bicarbonato de sodio, un químico seco o un extintor de incendios para apagar las llamas.

Para programar ‘Broil’:

- Oprima la tecla ‘**Broil**’.
 - ‘BROIL’ y ‘SET’ (Validar) destellan.
- Oprima la tecla ‘**Autoset 0**’ (Programación Automática) **una vez** para ‘HI broil’ (Asar a la parrilla con temperatura alta) o **dos veces** para ‘LO broil’ (230° C [450° F]) (Asar a la parrilla con temperatura baja).
 - En el indicador visual se desplegará ‘HI’ o ‘LO’.
 - Seleccione ‘**HI broil**’ (285° C [550° F]) para asado a la parrilla normal. Seleccione ‘**LO broil**’ (230° C [450° F]) para asar a la parrilla con temperatura baja alimentos que deben ser cocinados por más tiempo, tal como la carne de ave.
- Después de cuatro segundos, el horno comenzará a funcionar.
 - ‘BROIL’ continuará iluminado.
 - ‘HI’ o ‘LO’ permanecerán iluminados.

Broil

Autoset



- Para un dorado óptimo, precaliente el horno durante 2 a 3 minutos antes de colocar el alimento.
- Coloque el alimento en el horno. Cierre la puerta del horno.
- Dé vuelta a la carne una vez aproximadamente a mitad de la cocción.
- Cuando el alimento esté cocinado, oprima la tecla ‘**CANCEL**’ (Cancelar). Retire el alimento y la asadera del horno.
 - La hora del día volverá a desplegarse en el indicador visual.

Cancel

Notas Sobre Asado a la Parrilla

- Para mejores resultados cuando ase a la parrilla, use una asadera diseñada para asar a la parrilla.
- ‘Hi’ se usa para la mayoría de los asados a la parrilla. Use ‘LO broil’ cuando ase a la parrilla alimentos que necesitan cocción prolongada. La temperatura inferior permite que el alimento se cocine hasta quedar bien asado sin dorarse demasiado.
- **Para cambiar la temperatura del horno durante la asar a la parrilla**, oprima la tecla ‘**Broil**’, luego oprima la tecla ‘**Autoset 0**’ para cambiar el ajuste de asado entre ‘LO’ (Bajo) y ‘HI’ (Alto).
- Los tiempos de asado a la parrilla pueden ser más largos cuando se selecciona la temperatura más baja de asar a la parrilla.
- El mayor de los alimentos debe ser dado vuelta cuando está a mitad del tiempo de asar.

Tabla de Asar a la Parrilla

Precaliente el horno durante 2-3 minutos.

ALIMENTOS	POSICION DE LA PARRILLA*	TERMINO DE COCCION	TIEMPO TOTAL DE COCCION (MINUTOS)
Carne de Res Biftec, 2,5 cm (1") Hamburguesas, 1,9 cm (3/4") de grosor	4	A medio asar	15 - 20 minutos
	4	Bien asado	18 - 24 minutos
	4	Bien asado	15 - 18 minutos
Carne de Cerdo Tocino Chuletas, 2,5 cm (1") Jamón - Rebanadas precocidas, 1,3 cm (1/2") de grosor	4	Bien asado	6 - 10 minutos
	4	Bien asado	22 - 26 minutos
	4	Tibio	8 - 12 minutos
Carne de Ave Presas de pollo	3 o 4	Bien asado	‘LO Broil’ 30 - 45 minutos
Mariscos Bistecs de pescado, con mantequilla, 2,5 cm (1") de grosor Filetes de pescado, 1,3 cm (1/2") de grosor	4	Desmenuzado	10 - 15 minutos
	4	Desmenuzado	8 - 12 minutos

* La posición de la parrilla superior es #5.

Nota: Esta tabla es sólo una guía. Los tiempos pueden variar con el tipo de alimento que se está cocinando.



Cocinando en el Horno

Cierre Automático/ Modo Sabático

El horno se apagará automáticamente después de 12 horas si usted lo deja accidentalmente encendido. Esta característica de seguridad puede ser desactivada.

Para cancelar el cierre automático de 12 horas y dejar que el horno funcione continuamente durante 72 horas:

1. Oprima y mantenga oprimida la tecla **'Clock'** (Reloj) durante cinco segundos. **Clock**
 - 'SAb' se desplegará y destellará durante cinco segundos.
 - 'SAb' se desplegará continuamente hasta que se desactive o hasta que transcurra el límite de 72 horas.
 - 'BAKE' (Hornear) también se desplegará si se está usando un ciclo de horneado cuando el horno está en modo sabático.
 - *La función 'BAKE' es la única que se puede utilizar con el modo sabático. Las demás funciones (temporizador, mantener caliente, autolimpieza, etc.) se bloquearán durante el modo sabático.*
 - Se puede programar 'Cook & Hold' (Cocción y Mantener) durante el Modo Sabático, sin embargo no se puede programar 'Delay (Diferido) Cook & Hold'. **Clock**

Para cancelar el Modo Sabático:

1. Oprima la tecla **'Clock'** durante cinco segundos.
 - 'SAb' destellará durante cinco segundos.
 - La hora del día reaparecerá en el indicador visual.
2. Después de 72 horas, el modo sabático terminará.
 - 'SAb' destellará durante cinco segundos.
 - La hora del día reaparecerá en el indicador visual.

Notas Sobre el Modo Sabático

- El Modo Sabático puede ser activado en cualquier momento, esté o no el horno encendido.
- El Modo Sabático no se puede activar si las teclas están bloqueadas o cuando la puerta está bloqueada.
- La mayoría de las advertencias y mensajes y todas las señales sonoras están desactivadas cuando el Modo Sabático está activo.
- Si el horno está horneando cuando el Modo Sabático es programado, 'BAKE' se apagará cuando se cancele el horneado. No se emitirán señales sonoras.
- Mientras el horno esté en Modo Sabático la luz del horno se encenderá automáticamente cuando se abra la puerta. Si se desea la luz del horno durante el Modo Sabático, ésta debe ser encendida antes de que comience el Modo Sabático.
- Cuando comienza el Modo Sabático, la temperatura que se despliega será la temperatura programada en vez de la temperatura real de la cavidad del horno. No se emitirá la señal sonora de precalentamiento.
- El ciclo de autolimpieza y bloqueo automático de la puerta no funcionará durante el Modo Sabático.
- Si oprime la tecla **'Cancel'** (Cancelar) se cancelará un ciclo 'bake', sin embargo el control permanecerá en Modo Sabático.
- Si falla la corriente eléctrica, cuando vuelva la energía el horno se activará en Modo Sabático con 72 horas restantes y ningún ciclo activo.



Cocinando en el Horno

Ajuste de la temperatura del horno

La exactitud de las temperaturas del horno es cuidadosamente probada en la fábrica. Es normal notar alguna diferencia entre la temperatura de horneado o en el dorado, entre un horno nuevo y un horno antiguo. A medida que el horno se usa, la temperatura del horno puede cambiar.

Usted puede ajustar la temperatura del horno, si considera que su horno no está horneando o dorando en forma correcta. Para decidir cuanto debe cambiar la temperatura, programe la temperatura del horno a 15° C (25° F) más alta o más baja que la temperatura indicada en sus recetas, luego hornee. Los resultados de la "prueba" pueden darle una idea de cuanto debe ajustar la temperatura.

Para ajustar la temperatura del horno:

1. Oprima la tecla **'Bake'** (Hornear).
2. Programe 285° C (550° F) oprimiendo las teclas numéricas apropiadas.
3. Oprima y mantenga oprimida la tecla **'Bake'** durante varios segundos o hasta que 0° aparezca en el indicador visual.

Bake

Si la temperatura del horno ha sido previamente ajustada, el cambio aparecerá en el indicador visual. Por ejemplo, si la temperatura del horno fue reducida en 8° C (15° F) el indicador mostrará "- 8°" (" -15°").

4. Oprima la tecla **'Autoset 0'** (Programación Automática) para ajustar la temperatura.

Cada vez que se oprima la tecla **'Autoset 0'**, la temperatura cambia en 3° C (5° F). La temperatura del horno puede ser aumentada o disminuida en 3° a 20° C (5° a 35° F).

Si oprime la tecla **'Autoset 0'**, la temperatura del horno pasará por un ciclo de aumento de temperatura (5, 10 . . . 35). Si continúa oprimiendo la tecla **'Autoset 0'**, la temperatura del horno pasará por un ciclo de descenso de temperatura (-35, -30 . . -5).

5. La hora del día reaparecerá automáticamente en el indicador visual.

No necesita reajustar la temperatura del horno si hay una falla o interrupción de energía eléctrica. El ajuste de la temperatura es válido para **'Bake'**, **'Convect Bake'** y **'Convect Roast'** (modelos selectos) solamente. Las temperaturas de asar a la parrilla y de limpieza no pueden ser ajustadas.

Cambio de la temperatura de °F/°C

1. El ajuste de fábrica de la medida de temperatura es Fahrenheit.
2. Para cambiar el ajuste, oprima y mantenga oprimidas las teclas **'Cancel'** (Anular) y **'Bake'** al mismo tiempo durante tres segundos.

3. Escuchará una señal sonora y el ajuste actual (°F o °C) se desplegará en la pantalla. (Si no se realiza ningún cambio, la estufa regresará al ajuste actual después de 30 segundos).
4. Para cambiar el ajuste, oprima la tecla **'Autoset 0'**. Oprímala nuevamente para regresar al ajuste anterior. Espere cinco segundos y el ajuste se guardará.

'Favorite' (Favorito)

La tecla 'Favorite' le permite guardar en memoria el tiempo y la temperatura de un ciclo 'Cook & Hold' (Cocción y Mantener).

Para programar un ciclo favorito, debe estar activa o recientemente programada una función de 'Cook & Hold'.

Para programar un nuevo ciclo Favorito o para guardar como Favorito un ciclo 'Cook & Hold' que esté en progreso:

1. Programe un ciclo de 'Cook & Hold' como se describe en la sección 'Cook & Hold' en la página 67.

2. Oprima y mantenga oprimida la tecla **'Favorite'** durante tres segundos.

Favorite

- El ciclo 'Cook & Hold' recientemente programado o en progreso será guardado en memoria.
- Se oirá una señal sonora para indicar que el control ha aceptado el ajuste 'Favorite'.

Para comenzar un ciclo programado como Favorito:

1. Oprima la tecla **'Favorite'**.

- Se desplegará el tiempo y la temperatura para el ciclo 'Cook & Hold' programado (si no hay ciclo 'Cook & Hold' programado, en el indicador visual se desplegará 'nonE'.)

2. Oprima la tecla **'Bake'** o **'Convect'** (Convección, modelos selectos).

- El ciclo Favorito comenzará inmediatamente.
- 'BAKE' se iluminará en el indicador visual.
- El tiempo de cocción se iluminará en el indicador visual.

Cuando ha expirado el tiempo de cocción:

- El nombre del ciclo seleccionado se apagará.
- Se iluminarán 'HOLD' (Mantener) y 'WARM' (Tibio).
- En el indicador se desplegará '75°' ('170°').

Para cancelar un ciclo favorito en progreso:

1. Oprima la tecla **'Cancel'**.

- El ciclo favorito guardado en memoria no será afectado.

Cancel

2. Retire el alimento del horno.



Cocinando en el Horno

Encendido sin Piloto

Su estufa está equipada con un sistema de encendido sin piloto. Con este tipo de encendido, el gas se apaga automáticamente y **el horno no operará durante una interrupción de la corriente eléctrica.**

Un fósforo encendido no encenderá el quemador del horno. No se debe intentar encender el horno durante una interrupción de la corriente eléctrica.

Ventilador del horno

Se usa un **ventilador de convección** (modelos selectos) para circular el aire caliente en el horno cuando se selecciona la opción de convección. Se activará de manera automática aproximadamente cinco minutos después de que se oprima la tecla **'Convect'** (Convección) y se apagará cuando se cancele **'Convect'**.

El **ventilador de enfriamiento** se encenderá automáticamente durante las asados a la parrilla y algunas funciones de horneado. Se usa para mantener frías las piezas internas del panel de control. El ventilador se apagará automáticamente cuando las piezas se hayan enfriado. El ventilador puede continuar operando aún después que se haya apagado el horno. Esto es normal.

Nota: El ventilador de convección se apagará automáticamente cada vez que se abra la puerta del horno.

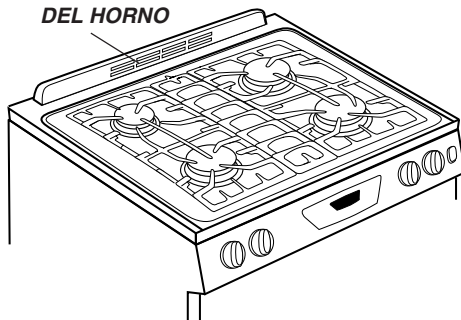
Respiradero del Horno

Cuando el horno está en uso, el área cerca del respiradero puede calentarse lo suficiente como para causar quemaduras. Nunca bloquee la abertura del respiradero.

El respiradero del horno está ubicado en la parte trasera de la superficie de cocción.

No coloque plásticos cerca de la abertura del respiradero pues el calor que sale puede deformar o derretir el plástico.

RESPIRADERO
DEL HORNO



'Oven Light' (Luz del Horno)

La luz del horno se enciende automáticamente siempre que se abre la puerta del horno. Cuando se cierra la puerta, oprima la tecla **'Oven Light'** para encender o apagar la luz del horno. Se escuchará una señal sonora cada vez que se oprima la tecla 'Oven Light'.

Oven
Light

Panel Inferior del Horno

Proteja el panel inferior del horno contra derrames, especialmente azucarados o ácidos, pues pueden descolorar la porcelana esmaltada. Use el utensilio de tamaño correcto a fin de evitar derrames. **No coloque utensilios ni papel de aluminio directamente en la parte inferior del horno.**

Parrillas del Horno

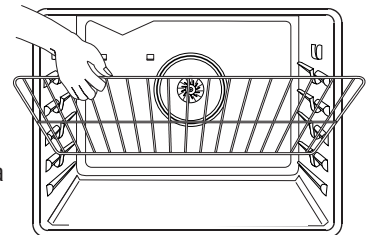
! PRECAUCIÓN

- No intente cambiar la posición de las parrillas cuando el horno esté caliente.
- No use el horno para guardar alimentos ni utensilios.

El horno tiene dos parrillas (tres si es horno de convección). Todas las parrillas tienen un borde con tope de enganche.

Para retirar la parrilla:

1. Tire de la parrilla derecho hacia afuera hasta que se detenga en la posición del tope de enganche.
2. Levante el frente de la parrilla y tire de la parrilla hacia afuera.



Para reinstalar la parrilla:

1. Coloque la parrilla en los soportes de la parrilla en el horno.
2. Incline levemente hacia arriba el extremo delantero; deslice la parrilla hacia atrás hasta que pase sobre los toques de enganche.
3. Baje el frente de la parrilla y deslícela hacia adentro del horno.

Nunca cubra una parrilla completa con papel de aluminio ni coloque papel de aluminio en el panel inferior del horno. Se afectarán los resultados del horneado y se puede dañar el panel inferior del horno.



Cocinando en el Horno

Posiciones de la Parrilla

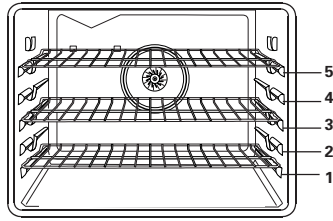
PARRILLA 5: Use para asar alimentos delgados y sin grasa y para hornear por convección (modelos selectos) con tres parrillas.

PARRILLA 4: Use para tostar pan, para la mayoría de los asados y para hornear con dos parrillas.

PARRILLA 3: Use para la mayoría de los alimentos horneados en bandejas para galletas o para panecillos, tortas de capas, flanes, alimentos de conveniencia congelados, horneado por convección (modelos selectos) con tres parrillas y para la mayoría de las operaciones de horneado con una parrilla.

PARRILLA 2: Use para pasteles de fruta fresca, tortas de 9 x 13 pulg. (23 x 33 cm), asar cortes pequeños de carne y cacerolas, para hornear panes, pastelitos y para hornear con dos parrillas.

PARRILLA 1: Use para asar cortes grandes de carne de res y de ave, pasteles congelados, postres y suflés, tortas de ángel y para hornear por convección (modelos selectos) con tres parrillas.



Horneado por Convección con Tres Parrillas (modelos selectos)

COCCIÓN CON VARIAS PARRILLAS:

Dos parrillas: Use las posiciones 2 y 4 o 1 y 4.

Mantenga los alimentos separados para asegurar una buena circulación del aire.

Tres parrillas: (para convección solamente, modelos selectos) Use las posiciones 1, 3 y 5.

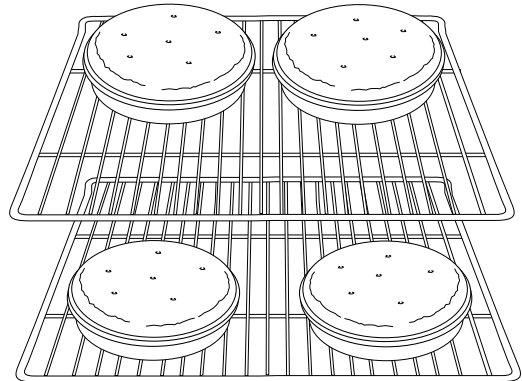
Notas :

- Revise el nivel de cocción de los alimentos una vez que el tiempo de horneado sugerido haya transcurrido.
- Nunca coloque utensilios directamente en el fondo del horno.

Horneado de Pasteles de Capas en Dos Parrillas

Para obtener mejores resultados cuando hornea pasteles en dos parrillas, use la posición 2 y 4 para horneado regular y la posición 1 y 4 para horneado por convección (modelos selectos).

Coloque los pasteles en las parrillas como se muestra.





Cuidado y Limpieza

Horno Autolimpiante

! PRECAUCIÓN

- Es normal que las piezas del horno se calienten durante el ciclo de autolimpieza.
- Para evitar daño a la puerta, no intente abrirla cuando la palabra 'LOCK' (Bloquear) esté desplegada en el indicador visual.
- Evite tocar la puerta, la ventana o el área del respiradero del horno durante un ciclo de limpieza.
- No use limpiadores de hornos comerciales en el acabado del horno ni alrededor de ninguna pieza del horno pues puede dañar el acabado o las piezas.

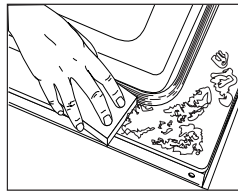
El ciclo de autolimpieza usa temperaturas de cocción superiores a las normales para limpiar automáticamente todo el interior del horno.

Limpie el horno con frecuencia removiendo los derrames para evitar humo excesivo y llamaradas. No permita que se acumule demasiado sucio en el horno.

Durante el proceso de limpieza, la cocina debe estar bien ventilada para eliminar los olores normales asociados con la limpieza.

Antes de la Autolimpieza

1. Apague la luz del horno antes de la limpieza. La luz del horno puede fundirse durante el ciclo de limpieza.
2. Retire todos los utensilios y las parrillas del horno. Las parrillas del horno se descolorarán y no se deslizarán fácilmente después de un ciclo de autolimpieza si no son retiradas del horno.
3. Limpie el marco del horno, el marco de la puerta, el área fuera de la junta de la puerta y alrededor de la abertura en la junta de la puerta, con un agente de limpieza no abrasivo tal como 'Bon Ami'* o con detergente y agua. El proceso de autolimpieza no limpia estas áreas. Ellas deben ser limpiadas para evitar que la suciedad se hornee durante el ciclo de autolimpieza. (La junta es el sello alrededor de la puerta y ventana del horno.)
4. Para evitar daño no limpie ni frote la junta situada alrededor de la puerta del horno. La junta está diseñada para sellar herméticamente el calor durante el ciclo de limpieza.
5. Limpie el exceso de grasa o derrames de la parte inferior del horno. Esto evita humo excesivo o llamaradas durante el ciclo de limpieza.
6. Limpie los derrames azucarados o ácidos tales como papa dulce (camote), tomates o salsas a base de leche. La porcelana esmaltada es resistente al ácido pero no a prueba de ácidos. El acabado de porcelana puede descolorarse si los derrames ácidos o azucarados no son limpiados antes de un ciclo de autolimpieza.



Para programar 'Self-Clean' (Autolimpieza):

Nota: La temperatura del horno debe ser inferior a 205° C (400° F) para programar un ciclo de limpieza.

1. Cierre la puerta del horno.
2. Oprima la tecla **'Clean'** (Limpieza).
 - 'CLEAN' destella en el indicador visual.
 - 'SET' destella en el indicador visual.
3. Oprima la tecla **'Autoset 0'** (Programación Automática).
 - 'MEd' (Suciedad mediana, 3 horas) se despliega en el indicador.
4. Oprima la tecla **'Autoset 0'** para desplegar los ajustes de autolimpieza.
 - 'HVy' (Suciedad intensa, 4 horas)
 - 'MEd' (Suciedad mediana, 3 horas)
 - 'LITE' (Suciedad leve, 2 horas)

Al seleccionar el nivel de suciedad del horno se programa automáticamente el tiempo de limpieza.
5. Después de cuatro segundos, el horno comenzará a limpiar.
 - Si la puerta no se cierra, se oír una señal sonora y la palabra 'door' se desplegará en el indicador visual. Si la puerta no es cerrada dentro de 30 segundos, la operación de autolimpieza será cancelada y el indicador volverá a desplegar la hora del día.
 - 'CLEAN' aparecerá en el indicador visual.
 - 'LOCK' destellará en el indicador visual. Una vez que la puerta se bloquea, la palabra 'LOCK' permanecerá iluminada sin destellar.
 - El tiempo de limpieza comenzará la cuenta regresiva en el indicador.

Clean

Autoset

Para diferir un ciclo de autolimpieza:

1. Oprima la tecla **'Delay 1'** (Diferido).
 - 'DELAY' destella.
 - '00:00' destellará en el indicador visual.
2. Programe la cantidad de tiempo que usted desea diferir el ciclo usando las teclas numéricas apropiadas.
3. Oprima la tecla **'Clean'**.
 - 'SET' destella en el indicador visual.
4. Oprima la tecla **'Autoset 0'**.
 - Se despliega 'LITE' (nivel de suciedad leve).

Delay 1

Clean

Autoset cont..

*Los nombres de los productos son marcas registradas de sus respectivos fabricantes.



Cuidado y Limpieza

5. Oprima la tecla **'Autoset 0'** (Programación Automática) para desplegar los ajustes de autolimpieza.



Autoset

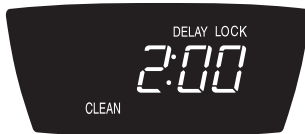
'HVy' (Suciedad intensa, 4 horas)

'MEd' (Suciedad mediana, 3 horas)

'LITE' (Suciedad leve, 2 horas)

Al seleccionar el nivel de suciedad del horno se programa automáticamente el tiempo de limpieza.

6. Después de cuatro segundos, las palabras 'CLEAN' y 'DELAY' se iluminarán y 'LOCK' (Bloquear) destellará en el indicador visual. Cuando la puerta del horno se cierra, 'LOCK' dejará de destellar y se iluminará permanente para mostrar que el horno está programado para una operación de limpieza diferida. En el indicador aparecerá el tiempo diferido.



Durante el ciclo de autolimpieza

Cuando aparece 'LOCK' en el indicador, la puerta no se puede abrir. Para evitar daño a la puerta, no fuerce la puerta para abrirla cuando la palabra 'LOCK' está desplegada en el indicador visual.

Humo y Olores

Usted puede ver humo y sentir olor las primeras veces que el horno es limpiado. Esto es normal y disminuirá con el tiempo.

También puede ocurrir humo si el horno está demasiado sucio o si se ha dejado un utensilio en el horno.

Sonidos

A medida que el horno se calienta, usted puede oír sonidos de piezas metálicas que se expanden y contraen. Esto es normal y no dañará el horno.

Después del ciclo de autolimpieza

Aproximadamente una hora después del fin del ciclo de limpieza, 'LOCK' desaparecerá. La puerta ahora puede ser abierta.

Alguna suciedad puede quedar como una leve ceniza gris tipo polvo. Retírela con un paño húmedo. Si la suciedad permanece después de limpiarla, significa que el ciclo de limpieza no fue lo suficientemente largo. La suciedad será eliminada durante el próximo ciclo de limpieza.

Si las parrillas del horno fueron dejadas en el horno y no se deslizan suavemente después de un ciclo de limpieza, limpie las parrillas y los soportes de las parrillas con una pequeña cantidad de aceite vegetal para hacerlas deslizar con más facilidad.

Pueden aparecer líneas delgadas en la porcelana al pasar por ciclos de calentamiento y enfriamiento. Esto es normal y no afectará el rendimiento.

Una decoloración blanca puede aparecer después del ciclo de limpieza si los alimentos ácidos o azucarados no fueron limpiados antes del ciclo de autolimpieza. Esta decoloración es normal y no afectará el rendimiento.

Notas

- Si se deja abierta la puerta del horno, la palabra 'door' destellará en el indicador visual y se escuchará una señal sonora hasta que la puerta sea cerrada y la tecla **'Clean'** (Limpieza) sea oprimida nuevamente.
- Si transcurren más de cinco segundos después de oprimir la tecla **'Clean'** y antes de oprimir la tecla **'Autoset 0'**, el programa volverá automáticamente al despliegue previo.
- La puerta del horno se dañará si se fuerza para abrirla cuando la palabra 'LOCK' continúa desplegada en el indicador.



Cuidado y Limpieza

Procedimientos de Limpieza

! PRECAUCIÓN

- Asegúrese de que el horno esté apagado y que todas las piezas estén frías antes de tocarlo o limpiarlo. De este modo se evitará daño y posibles quemaduras.
- Para evitar manchas o decoloración limpie el horno después de cada uso.
- Si se retira alguna pieza, asegúrese de que sea reinstalada en forma correcta.

*Los nombres de los productos son marcas registradas de sus respectivos fabricantes.

** Para hacer pedidos, llame al 1-877-232-6771 EE. UU. o 1-800-688-8408 Canadá.

PIEZA	PROCEDIMIENTO DE LIMPIEZA
Tapas de Quemadores y Quemadores de Gas Sellados	<p>Tapas de Quemadores Removibles</p> <ul style="list-style-type: none"> • Deje enfriar el quemador. Retire la tapa y lávela en agua jabonosa con una esponja de restregar de plástico. Para suciedad difícil, limpie con una esponja no abrasiva rellena con jabón o con crema para limpieza de cubiertas 'Cooktop Cleaning Creme'* (Pieza #20000001)** y una esponja. • No las lave en el lavavajillas ni en un horno autolimpiante. <p>Quemadores de Gas Sellados</p> <ul style="list-style-type: none"> • Límpielos con frecuencia. Deje enfriar el quemador. Limpie con jabón y una esponja de restregar de plástico. Para suciedad difícil, limpie con una esponja no abrasiva rellena con jabón. No agrande ni modifique los agujeros. • Tenga cuidado de que no entre agua en los orificios de los quemadores. • Tenga cuidado cuando limpie el encendedor. Si el encendedor está húmedo o dañado, el quemador superior no encenderá.
Rejillas de los Quemadores - porcelana sobre hierro forjado	<ul style="list-style-type: none"> • Lávelas con agua tibia jabonosa y una esponja de plástico no abrasiva. Para manchas rebeldes, limpie con una esponja de plástico rellena con jabón, no abrasiva o con 'Cooktop Cleaning Creme'* (Crema para Limpieza de Cubiertas) (Pieza 20000001)** y una esponja. Si la suciedad persiste, vuelva a aplicar 'Cooktop Cleaning Creme', cubra con una toalla de papel húmeda y deje remojar durante 30 minutos. Restriegue nuevamente, enjuague y seque. • No las lave en el lavavajillas ni en un horno autolimpiante.
Area del Reloj y de las Teclas de Control	<ul style="list-style-type: none"> • Para bloquear de los controles para la limpieza, ver 'Bloqueo de los Controles' en página 65. • Limpie con un paño húmedo y seque. No use agentes de limpieza abrasivos pues pueden rayar el acabado. • Se puede usar limpiavidrios si se rocían en el paño primero. NO rocíe directamente en el panel.
Perillas de Control	<ul style="list-style-type: none"> • Retire las perillas cuando estén en la posición 'OFF' tirándolas hacia adelante. • Lave, enjuague y seque. No use agentes de limpieza abrasivos pues pueden rayar el acabado. • Encienda cada quemador para asegurarse de que las perillas han sido correctamente reinstaladas.
Cubierta y Panel de Control - Esmalte de Porcelana	<p>La porcelana esmaltada es vidrio fundido en metal y puede agrietarse o picarse si no se usa correctamente. Es resistente a los ácidos, no a prueba de ácidos. Todos los derrames, especialmente los derrames azucarados o acídicos deben ser limpiados inmediatamente con un paño seco.</p> <ul style="list-style-type: none"> • Cuando se enfríe, lave con agua jabonosa, enjuague y seque. • Nunca limpie una superficie tibia o caliente con un paño húmedo. Esto puede causar agrietamiento o picaduras. • Nunca use limpiadores de horno, agentes de limpieza abrasivos o cáusticos en el acabado exterior de la estufa.



Cuidado y Limpieza

PIEZA	PROCEDIMIENTO DE LIMPIEZA
Gaveta de Almacenamiento y Manijas de las Puertas - Esmalte Pintado	<ul style="list-style-type: none"> • Cuando esté fría, lave con agua tibia jabonosa, enjuague y seque. Nunca limpie una superficie tibia o caliente con un paño húmedo pues esto puede dañar la superficie y causar una quemadura a causa del vapor. • Para manchas rebeldes, use agentes de limpieza levemente abrasivos tal como pasta de bicarbonato o 'Bon Ami*'. No use limpiadores abrasivos, cáusticos o ásperos tal como esponjas de lana de acero o limpiadores de hornos. Estos productos pueden rayar o dañar permanentemente la superficie. <p>Nota: Use una toalla o un paño seco para limpiar los derrames, especialmente los derrames acídicos o azucarados. La superficie se puede descolorar o perder el brillo si el derrame no se limpia inmediatamente. Esto es especialmente importante en las superficies blancas.</p>
Ventana y Puerta del Horno - Vidrio	<ul style="list-style-type: none"> • Evite usar cantidades excesivas de agua pues puede escurrirse debajo o detrás del vidrio causando manchas. • Lave con agua y jabón. Enjuague con agua limpia y seque. El limpiador de vidrio puede usarse si se rocía en un paño primero. • NO USE materiales abrasivos tales como esponjas de restregar, limpiadores en polvo o esponjas de lana de acero pues pueden rayar el vidrio.
Interior del Horno	<ul style="list-style-type: none"> • Siga las instrucciones en las páginas 74-75 para programar un ciclo de autolimpieza.
Parrillas del Horno	<ul style="list-style-type: none"> • Limpiar con agua con jabón. • Sacar las manchas difíciles con polvo de limpieza o una esponja llena con jabón. Enjuague y seque. • Las parrillas se descolorarán permanentemente y pueden no deslizarse con suavidad si son dejadas en el horno durante un ciclo de autolimpieza. Si esto sucede, limpie la parrilla y los soportes en relieve con una pequeña cantidad de aceite vegetal para restaurar la facilidad de movimiento, luego limpie el exceso de aceite.
Acero Inoxidable (modelos selectos)	<ul style="list-style-type: none"> • NO USE NINGUN PRODUCTO DE LIMPIEZA QUE CONTenga BLANQUEADOR A BASE DE CLORO. • NO USE LIMPIADORES "ORANGE" NI LIMPIADORES ABRASIVOS. • SIEMPRE LIMPIE LAS SUPERFICIES DE ACERO A FAVOR DEL GRANO. • Limpieza Diaria/Suciedad Leve - Limpie con uno de los siguientes - agua con jabón, una solución de vinagre blanco con agua, limpiador para superficies y vidrio 'Formula 409*' o un limpiavidrios similar - usando una esponja o un paño suave. Enjuague y seque. Para pulir y evitar marcas de los dedos, use el producto 'Stainless Steel Magic Spray*' (Pieza No. 20000008)**. • Suciedad Moderada/Intensa - Limpie con uno de los siguientes - 'Bon Ami*', 'Smart Cleanser*' o 'Soft Scrub*' - usando una esponja húmeda o un paño suave. Enjuague y seque. Las manchas difíciles pueden ser quitadas con una esponja para usos múltiples 'Scotch-Brite*' húmeda; frote a favor del grano. Enjuague y seque. Para restaurar el lustre y sacar las vetas, aplique 'Stainless Steel Magic Spray*'. • Descoloración - Use una esponja mojada o un paño suave, limpie con limpiador de acero 'Cameo Stainless Steel Cleaner*'. Enjuague inmediatamente y seque. Para eliminar las estrías y restaurar el lustre, use después rociador para acero inoxidable 'Stainless Steel Magic Spray*'.

*Los nombres de los productos son marcas registradas de sus respectivos fabricantes.

** Para hacer pedidos, llame al 1-877-232-6771 EE. UU. o 1-800-688-8408 Canadá.



Mantenimiento

Puerta del Horno

! PRECAUCIÓN

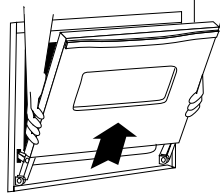
- No coloque peso excesivo ni se pare en la puerta del horno. Esto podría hacer volcar la estufa, quebrar la puerta o lesionar al usuario.
- No intente abrir o cerrar la puerta ni hacer funcionar el horno hasta que la puerta no ha sido debidamente reemplazada.
- Nunca coloque los dedos entre la bisagra y el marco delantero del horno. Los brazos de articulación son montados a resorte. Si se golpea accidentalmente la bisagra se cerrará bruscamente contra el marco del horno y puede lesionar sus dedos.

Para sacar:

1. Cuando esté fría, abra la puerta del horno hasta la posición tope de asar a la parrilla [abierta aproximadamente 10 cm (cuatro pulgadas)].

2. Sujete la puerta de cada lado. No use la manija de la puerta para levantarla.

3. Levante uniformemente hasta que la puerta se salga de los brazos de articulación.



Para volver a colocar:

1. Sujete la puerta de cada lado.
2. Alinee las ranuras de la puerta con los brazos de articulación de la estufa.
3. Deslice la puerta hacia los brazos de articulación hasta que esté completamente asentada en las bisagras. Empuje hacia abajo las esquinas superiores de la puerta para asentarla completamente en las bisagras. La puerta no debe quedar torcida.

Nota: La puerta del horno en una estufa nueva puede sentirse "esponjosa" cuando se cierra. Esto es normal y disminuirá con el uso.

Ventana del Horno

Para proteger la ventana de la puerta del horno:

1. No use agentes de limpieza abrasivos tales como esponjas de restregar de lana de acero o limpiadores en polvo pues ellos pueden rayar el vidrio.
2. No golpee el vidrio con ollas, sartenes, muebles, juguetes u otros objetos.
3. No cierre la puerta del horno hasta que las parrillas del horno no estén en su lugar.

Al golpear, rayar, hacer vibrar o esforzar el vidrio puede debilitar su estructura causando un mayor riesgo de rotura en una fecha posterior.

Tornillos Niveladores

! PRECAUCIÓN

Verifique si el soporte antivuelco está asegurando al piso uno de los tornillos niveladores traseros. Este soporte evita que la estufa se vuelque accidentalmente.

Verifique si la estufa está nivelada cuando se instala. Si la estufa no está nivelada, gire los tornillos niveladores ubicados en cada esquina de la estufa hasta que quede nivelada.



Luz del Horno

(El estilo varía según el modelo)

! PRECAUCIÓN

- Desconecte la energía eléctrica hacia la estufa antes de reemplazar el foco.
- Deje que el horno se enfríe antes de reemplazar el foco.
- Asegúrese de que la cubierta del foco y el foco estén fríos antes de tocarlos.

Para reemplazar el foco del horno:

1. Cuando el horno esté frío, sujete la tapa de la bombilla en su lugar, luego deslice el retén de alambre fuera de la cubierta.

Nota: La cubierta de la bombilla se caerá si no es sujeta en su lugar cuando está sacando el retén de alambre.

2. Saque la cubierta del foco y el foco.
3. Coloque un foco de 40 watts para electrodomésticos.
4. Vuelva a colocar la cubierta de la bombilla y asegúrela con el retén de alambre.
5. Vuelva a enchufar la estufa. Vuelva a colocar la hora correcta.



O

1. Use un tomaollas seco y con mucho cuidado destornille la cubierta del foco y el foco.
2. Reemplace con un foco para horno de electrodoméstico de 40 wats. Se recomiendan los focos con base de latón para evitar fusión del foco en el casquillo.
3. Reemplace la cubierta del foco y vuelva a conectar la corriente eléctrica al horno.
4. Vuelva a programar el reloj.



Mantenimiento

Retiro de la Estufa a Gas

Los conectores de la estufa a gas usados para conectar este artefacto al suministro de gas no están diseñados para movimiento continuo. Una vez instalados, **NO** mueva repetidamente este artefacto a gas para su limpieza o para ubicarlo en otro lugar. Si este artefacto tiene que ser movido y/o retirado para reparación, siga el procedimiento descrito en las instrucciones de instalación. Para información, póngase en contacto con el Servicio a los Clientes Amana llamando al 1-800-843-0304 EE.UU. o al 1-866-587-2002 Canadá.

Para evitar que la estufa se vuelque accidentalmente, se debe asegurar al piso colocando el tornillo nivelador trasero dentro del soporte antivuelco.

Gaveta de Almacenamiento

PRECAUCIÓN

No guarde productos de papel o de plástico, alimentos ni materiales inflamables en esta gaveta. La gaveta puede calentarse demasiado para estos artículos cuando se está usando el horno.

La gaveta de almacenamiento puede ser retirada para que usted pueda limpiar debajo de la estufa.

Para sacar :

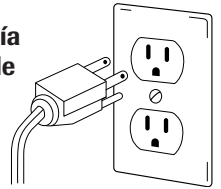
1. Vacíe la gaveta y deslícela hacia afuera hasta la primera posición tope.
2. Levante la parte delantera de la gaveta.
3. Tírela hasta la segunda posición de tope.
4. Sujete los lados y levante la gaveta para retirarla.

Para volver a colocar:

1. Inserte los extremos de las correderas de la gaveta en los rieles de la estufa.
2. Levante la parte delantera de la gaveta y suavemente empújela a la primera posición de tope.
3. Levante la gaveta nuevamente y empújela hasta que quede completamente cerrada.

Conexión Eléctrica

Los electrodomésticos que requieren energía eléctrica están equipados con un enchufe de tres clavijas con conexión a tierra, el cual debe ser enchufado directamente en un tomacorriente eléctrico de tres agujeros, para 120 voltios debidamente conectado a tierra.



Siempre desenchufe el electrodoméstico antes de efectuar reparaciones.

El enchufe de tres clavijas con conexión a tierra ofrece protección contra peligros de choques eléctricos. **NO CORTE NI ELIMINE LA TERCERA CLAVIJA DE CONEXION A TIERRA DEL ENCHUFE DEL CORDON ELECTRICO.**

Si solamente se dispone de un tomacorriente sin conexión a tierra, de dos agujeros u otro tipo de tomacorriente eléctrico, **el propietario del electrodoméstico es personalmente responsable de reemplazar el tomacorriente con un tomacorriente eléctrico de tres agujeros debidamente puesto a tierra.**



Localización y Solución de Averías

PROBLEMA	SOLUCIÓN
Para la mayoría de los problemas, verifique primero lo siguiente.	<ul style="list-style-type: none">• Revise si los controles del horno están debidamente ajustados.• Verifique si el enchufe está firmemente insertado en el tomacorriente.• Verifique o vuelva a reponer el disyuntor. Verifique o reemplace el fusible.• Verifique el suministro de energía eléctrica.
El quemador superior no se enciende.	<ul style="list-style-type: none">• Verifique si la estufa está debidamente conectada a la fuente de alimentación.• Verifique si está fundido un fusible del circuito o si se disparó el disyuntor principal.• Verifique para asegurarse de que el encendedor esté seco y que emita chasquidos. El quemador no se encenderá si el encendedor está dañado, sucio o mojado. Si el encendedor no produce un chasquido, gire la perilla de control a la posición 'OFF' (Apagado).
La llama es disparea.	<ul style="list-style-type: none">• Los orificios del quemador pueden estar obstruidos.
La llama del quemador superior se levanta del orificio.	<ul style="list-style-type: none">• Verifique para asegurarse de que el utensilio está asentado en la parrilla sobre el quemador.
Los resultados del horneado no son como se esperaban o son diferentes a los del horno anterior.	<ul style="list-style-type: none">• Verifique la temperatura del horno seleccionada. Asegúrese de que el horno esté precalentado cuando la receta o instrucciones recomiendan precalentamiento del horno.• Asegúrese de que el respiradero del horno no esté bloqueado. Ver página 72 para la ubicación.• Verifique para asegurarse de que la estufa está nivelada.• Las temperaturas a menudo varían entre un horno nuevo y uno antiguo. A medida que pasa el tiempo, la temperatura del horno cambia y puede hacerse más caliente o más fría. Ver pág. 71 para las instrucciones como ajustar la temperatura del horno. Nota: No se recomienda ajustar la temperatura si ha tenido problemas con solo una o dos recetas.• Use el utensilio correcto. Los utensilios oscuros producen dorado oscuro. Los utensilios brillantes producen dorado claro.• Verifique las posiciones de las parrillas y la colocación de los utensilios. Alterne los utensilios cuando use dos parrillas. Deje 2,5-5 cm (1-2 pulgadas) entre los utensilios y las paredes del horno.• Verifique el uso de papel de aluminio en el horno. Nunca use papel de aluminio para cubrir una parrilla completa del horno. Coloque un pedazo pequeño de papel de aluminio en la parrilla que está debajo del utensilio para recibir los derrames.
Los alimentos no se asan a la parrilla en forma debida o sale demasiado humo.	<ul style="list-style-type: none">• Verifique las posiciones de las parrillas del horno. El alimento puede estar muy cerca de la llama.• El papel de aluminio se usó de manera incorrecta. Nunca forre el inserto del asador con papel de aluminio.• Recorte el exceso de grasa de la carne antes de ponerla a asar a la parrilla.• Se usó una asadera sucia.• Precaliente el horno durante dos a tres minutos antes de colocar el alimento en el horno.• Ase a la parrilla con la puerta del horno cerrada.



Localización y Solución de Averías

PROBLEMA	SOLUCIÓN
El horno no se autolimpia.	<ul style="list-style-type: none">• Verifique para asegurarse de que el ciclo no esté ajustado para un comienzo diferido. Ver páginas 75-76.• Verifique si la puerta está cerrada.• Verifique si el control está en Modo Sabático. Ver pág. 70.• El horno puede estar a más de 205° C (400° F). La temperatura del horno debe ser inferior a 205° C (400° F) para programar un ciclo de limpieza.
El horno no se limpió en forma debida.	<ul style="list-style-type: none">• Puede que sea necesario un tiempo de limpieza más largo.• Los derrames excesivos, especialmente de alimentos azucarados y/o ácidos no fueron limpiados antes del ciclo de autolimpieza.
La puerta del horno no se desbloquea después del ciclo de autolimpieza.	<ul style="list-style-type: none">• El interior del horno todavía está caliente. Deje que pase aproximadamente una hora para que el horno se enfríe antes de que se complete un ciclo de autolimpieza. La puerta puede ser abierta cuando desaparezca la palabra 'LOCK' (Bloquear) del indicador visual.• El control y la puerta puede estar bloqueada. Ver pág. 65.
Se junta humedad en la ventana del horno o sale vapor por el respiradero del horno.	<ul style="list-style-type: none">• Esto es normal cuando se cocinan alimentos con alto contenido de humedad.• Se usó humedad excesiva cuando limpió la ventana.
Hay un olor fuerte o humo leve cuando se enciende el horno.	<ul style="list-style-type: none">• Esto es normal en una estufa nueva y desaparecerá después de unos pocos usos. Al iniciar un ciclo de autolimpieza se "quemarán" los olores más rápidamente.• Si se enciende el ventilador ayudará a eliminar el humo y/o el olor.• Suciedad excesiva de alimentos en el panel inferior del horno. Use un ciclo de autolimpieza.
Códigos de Errores	<ul style="list-style-type: none">• 'BAKE' (Hornear) o 'LOCK' pueden destellar rápidamente en el indicador para avisarle que hay un error o un problema. Si 'BAKE' o 'LOCK' aparecen en el indicador visual, oprima la tecla 'Cancel' (Cancelar). Si 'BAKE' o 'LOCK' continúan destellando, desconecte la energía eléctrica al electrodoméstico. Espere unos pocos minutos y vuelva a reconectar la energía eléctrica. Si continúan destellando, desconecte la energía eléctrica del electrodoméstico y llame al técnico de servicio autorizado.• Si el horno está demasiado sucio, pueden ocurrir demasiadas llamaradas lo cual resultará en un código de error durante la limpieza. Oprima la tecla 'Cancel' y deje que el horno se enfríe completamente, limpie el exceso de suciedad y luego vuelva a programar el ciclo de limpieza. Si el código de error reaparece, llame a un técnico autorizado.
Se escuchan ruidos.	<ul style="list-style-type: none">• El horno emite varios sonidos bajos. Usted puede oír los relés del horno cuando se encienden y se apagan. Esto es normal.• A medida que el horno se calienta y se enfría, usted puede oír sonidos de piezas metálicas que se expanden y contraen. Esto es normal y no dañará su electrodoméstico.• Se escucha el sonido de un ventilador. Este es el ventilador de enfriamiento y es normal. El ventilador seguirá funcionando después de apagar el horno hasta que el mismo se enfríe.
No se escuchan señales sonoras y el indicador visual no se activa.	<ul style="list-style-type: none">• El horno puede estar en Modo Sabático. Ver pág. 70.
'SAb' destella y luego se despliega continuamente.	<ul style="list-style-type: none">• El horno está en modo sabático. Para anular el modo sabático, oprima y mantenga oprimida la tecla 'Clock' (Reloj) durante cinco segundos.

Notas



Garantía y Servicio

Garantía

Garantía limitada de un año - Piezas y mano de obra

Durante **un (1) año** a partir de la fecha original de compra al detal, se reparará o reemplazará gratuitamente cualquier pieza que falle durante el uso normal en el hogar.

Residentes canadienses

Las garantías anteriores cubren solamente aquellos electrodomésticos instalados en Canadá que han sido certificados o aprobados por las agencias de pruebas correspondientes para el cumplimiento con la Norma Nacional de Canadá a menos que el electrodoméstico haya sido traído a Canadá desde los EE.UU. debido a un cambio de residencia.

*Las garantías específicas expresadas anteriormente son las **ÚNICAS** garantías provistas por el fabricante. Estas garantías le otorgan derechos legales específicos. Usted puede tener otros derechos que varían de un estado a otro.*

LA ÚNICA Y EXCLUSIVA SOLUCIÓN PARA EL CLIENTE BAJO ESTA GARANTÍA LIMITADA ES LA REPARACIÓN DEL PRODUCTO SEGÚN SE INDICA AQUÍ. LAS GARANTÍAS IMPLÍCITAS, INCLUYENDO LAS GARANTÍAS DE COMERCIALIZACIÓN O DE APTITUD PARA UN PROPÓSITO EN PARTICULAR ESTÁN LIMITADAS A UN AÑO O AL PERÍODO DE TIEMPO MÍNIMO PERMITIDO POR LA LEY. MAYTAG CORPORATION NO SERÁ RESPONSABLE DE DAÑOS INCIDENTALES O CONSECUENTES. ALGUNOS ESTADOS Y PROVINCIAS NO PERMITEN LA EXCLUSIÓN O LIMITACIÓN DE DAÑOS INCIDENTALES O CONSECUENTES O LA LIMITACIÓN DE LA DURACIÓN DE LAS GARANTÍAS IMPLÍCITAS DE COMERCIALIZACIÓN O APTITUD, POR LO QUE ESTAS EXCLUSIONES O LIMITACIONES PUEDEN NO APLICARSE EN SU CASO. ESTA GARANTÍA LE OTORGA DERECHOS LEGALES ESPECÍFICOS. USTED TAMBIÉN PUEDE TENER OTROS DERECHOS QUE VARIAN DE UN ESTADO A OTRO O DE UNA PROVINCIA A OTRA.

Lo que no cubren estas garantías

1. Situaciones y daños resultantes de cualquiera de las siguientes situaciones:
 - a. Instalación, entrega o mantenimiento inapropiados.
 - b. Cualquier reparación, modificación, alteración o ajuste no autorizados por el fabricante o taller de servicio autorizado.
 - c. Mal uso, abuso, accidentes, uso no razonable o hechos fortuitos.
 - d. Corriente, voltaje, suministro eléctrico o suministro de gas incorrectos.
 - e. Ajuste inadecuado de cualquier control.
2. Las garantías quedan nulas si los números de serie originales han sido retirados, alterados o no se pueden determinar fácilmente.
3. Bombillas, filtros de agua y filtros de aire.
4. Los productos comprados para uso comercial o industrial.
5. El costo del servicio o llamada de servicio para:
 - a. Corregir errores de instalación. Para los productos que requieran ventilación, se deben usar conductos de metal rígido.
 - b. Instruir al usuario en el uso adecuado del producto.
 - c. Transporte del electrodoméstico al establecimiento de servicio y de regreso.
6. Cualquier pérdida de alimentos debido a fallas del refrigerador o congelador.
7. Costos de viaje y transporte de servicio en áreas remotas.
8. Esta garantía no se aplica fuera de los Estados Unidos y Canadá. Póngase en contacto con su distribuidor para determinar si se aplica cualquier otra garantía.
9. Los daños consecuentes o incidentales sufridos por cualquier persona como resultado del incumplimiento de esta garantía. En algunos estados no se permite la exclusión o limitación de daños consecuentes o incidentales, por lo tanto la limitación o exclusión anterior puede no aplicarse en su caso.

Si necesita servicio

Primero revise la sección de localización y solución de averías en su guía de uso y cuidado o llame al distribuidor donde adquirió el electrodoméstico. También puede llamar a Maytag Services, LLC, Atención al cliente, al 1-800-688-9900 en EE.UU. y al 1-800-688-2002 en Canadá para ubicar a un agente de servicio calificado.

- Asegúrese de conservar el comprobante de compra para verificar el estado de la garantía. Consulte la sección sobre la GARANTÍA para mayor información sobre las responsabilidades del propietario para obtener servicio bajo la garantía.
- Si el distribuidor o la compañía de servicio no pueden resolver el problema, escriba a Maytag Services, LLC, Attn: CAIR® Center, P.O. Box 2370, Cleveland, TN 37320-2370 o llame al **1-800-688-9900 en EE.UU. y al 1-800-688-2002 en Canadá.**
- Las guías del propietario, manuales de servicio e información sobre las piezas pueden solicitarse a Maytag Services, LLC, Atención al cliente.

Notas: Cuando llame o escriba acerca de un problema de servicio, por favor incluya la siguiente información:

- a. Su nombre, dirección y número de teléfono;
- b. Número de modelo y número de serie;
- c. Nombre y dirección de su distribuidor o técnico de servicio;
- d. Una descripción clara del problema que está experimentando;
- e. Comprobante de compra (recibo de compra).