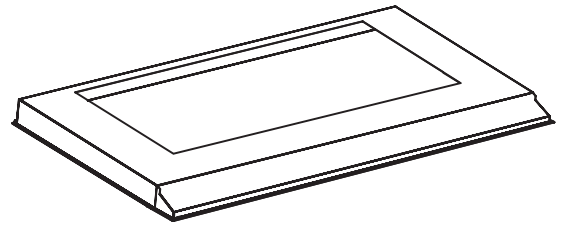


# AL3036, AL3042, AL3948, AL3954, AL4554 & AL4560 LINERS



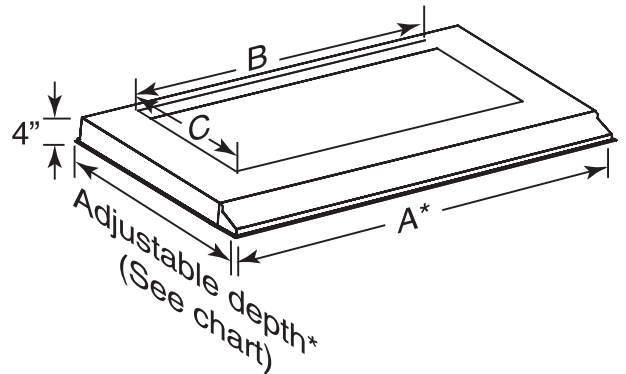
Especially designed to protect the exterior base of a custom hood. Fit PK22 Series inserts.

### FEATURES

- Cabinet mount – custom application
- Stainless Steel Finish
- Adjustable depth to fit into cabinet openings as shown on chart (front to back)
- Fit custom hood nominal widths: 36", 42", 48", 54" or 60"
- Wipes clean easily
- For indoor use only

### TO ORDER

Refer to table below to find the right liner part number for your insert and for width of the custom hood.



\* Dimension does not include 7/16" wide flanges.

### DIMENSIONS

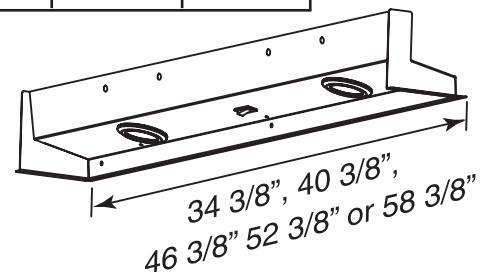
| Liner Model | Insert Model       | Custom Hood Nominal Width | Adjustable Depth* Fits into cabinet openings of |                    | Width A* | Cut-out Width B | Cut-out Depth C |
|-------------|--------------------|---------------------------|---|--------------------|----------|-----------------|-----------------|
|             |                    |                           | Without Backboard                               | With Backboard     |          |                 |                 |
| AL3036      | PK2230             | 36"                       | 20 1/2" to 23 1/2"                              | 20 1/8" to 23 1/8" | 34 5/16" | 26 1/4"         | 14 15/16"       |
| AL3042      | PK2230             | 42"                       | 20 1/2" to 23 1/2"                              | 20 1/8" to 23 1/8" | 40 5/16" | 26 1/4"         | 14 15/16"       |
| AL3948      | PK2239<br>PKEX2239 | 48"                       | 20 1/2" to 23 1/2"                              | 20 1/8" to 23 1/8" | 46 5/16" | 34 7/8"         | 14 15/16"       |
| AL3954      | PK2239<br>PKEX2239 | 54"                       | 20 1/2" to 23 1/2"                              | 20 1/8" to 23 1/8" | 52 5/16" | 34 7/8"         | 14 15/16"       |
| AL4554      | PK2245<br>PKEX2245 | 54"                       | 20 1/2" to 23 1/2"                              | 20 1/8" to 23 1/8" | 52 5/16" | 41 15/16"       | 14 15/16"       |
| AL4560      | PK2245<br>PKEX2245 | 60"                       | 20 1/2" to 23 1/2"                              | 20 1/8" to 23 1/8" | 58 5/16" | 41 15/16"       | 14 15/16"       |

The INSIDE DEPTH shown in the table above assumes a minimum cabinet backboard thickness of 3/8"

### OPTION

Ambient light panel (ALP Series) for AL Series custom hood liners (Halogen lighting: 36" and 42" – 2 x 50 watt; 48", 54" and 60" – 3 x 50 watt GU10) Lamps included

Ambient Light Panel  
ALP Series



BEST Hartford, Wisconsin [www.BestRangeHoods.com](http://www.BestRangeHoods.com) 800-558-1711  
BEST Drummondville, QC, Canada [www.BestRangeHoods.com](http://www.BestRangeHoods.com) 866-737-7770

| REFERENCE | QTY. | REMARKS | Project  |
|-----------|------|---------|--|
|           |      |         | Location   |
|           |      |         | Architect  |
|           |      |         | Engineer   |
|           |      |         | Contractor   |
|           |      |         | Submitted by <span style="float: right;">Date</span> |