

# 30" Single Wall Oven

500 Series – Stainless Steel HBL5351UC



**HBL5351UC**  
Stainless Steel

The Bosch wall oven installs flush and features heavy metal stainless steel knobs.

## Features & Benefits

Heavy-duty metal knobs offer a premium European feel.

The wall oven is designed to be installed flush with cabinetry.

Bosch wall ovens are compatible with most competitors' cutouts.

## General Properties

Cooking Modes	Bake, Variable Broil (hi & low), Roast, Warm, Sabbath
Cleaning Type	Self Clean
Telescopic Rack	0
Illumination Type	Incandescent
Interior Lights	1

## Oven Performance

Bake Element Wattages	2,400 W
Broil Element Wattages	3,800 W
Convection Element Wattages	N/A

## Technical Details

Watts (W)	6,275 W
Circuit Breaker (A)	30 A
Volts (V)	240/208 V
Frequency (Hz)	60 Hz
Power Cord Length (in)	50"
Plug Type	Fixed Connection, No Plug
Energy Source	Electric

## Dimensions & Weight

Overall Appliance Dimensions (HxWxD)(in)	29" x 29 3/4" x 23 1/2"
Required Cutout Size (HxWxD) (in)	27" - 28 5/8" x 28 1/2" x 23 1/2"
Net Weight (lbs)	149 lbs

## Accessories—Included

Included	2 x Oven racks
----------	----------------

## Accessories—Optional



**HEZTR301**  
30" Telescopic Rack



For help and assistance with Bosch accessories please call 1-800-944-2904 Mon-Fri 8am to 6pm EST

Notes: All height, width and depth dimensions are shown in inches. Please refer to installation instructions prior to making cutout. BSH reserves the absolute and unrestricted right to change product materials and specifications, at any time, without notice. Consult the product's installation instructions for final dimensional data and other details. Applicable product warranty can be found in accompanying product literature or you may contact your account manager for further details.

Warranties: Bosch warrants that the Product is free from defects in materials and workmanship for a period of three hundred and sixty-five (365) days from the date of purchase. The foregoing timeline begins to run upon the date of purchase, and shall not be stalled, tolled, extended, or suspended, for any reason whatsoever. This Product is also warranted to be free from cosmetic defects in material and workmanship (such as scratches of stainless steel, paint/porcelain blemishes, chip, dents, or other damage to the finish of the Product) for a period of thirty (30) days from the date of purchase or closing date for new construction. This cosmetic warranty excludes slight colour variations due to inherent differences in painted and porcelain parts, as well as differences caused by kitchen lighting, product location, or other similar factors. This cosmetic warranty specifically excludes any display, floor, "As Is", or "B" stock appliances.

For more information on our entire line of products, go to [www.bosch-home.ca](http://www.bosch-home.ca) or call 1-800-944-2904

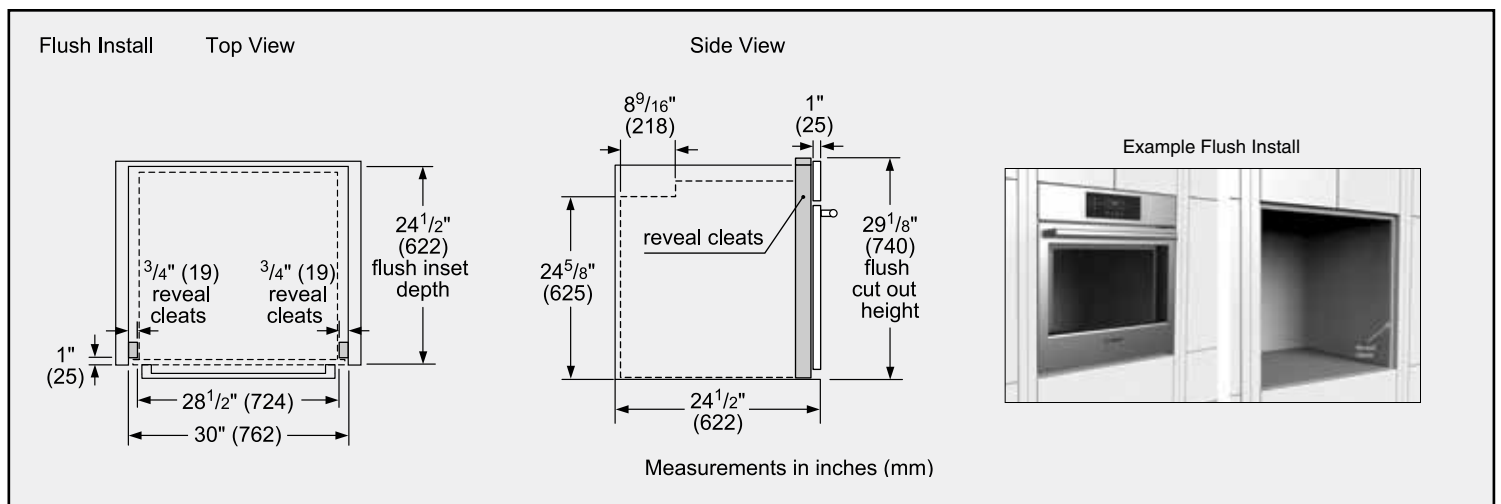
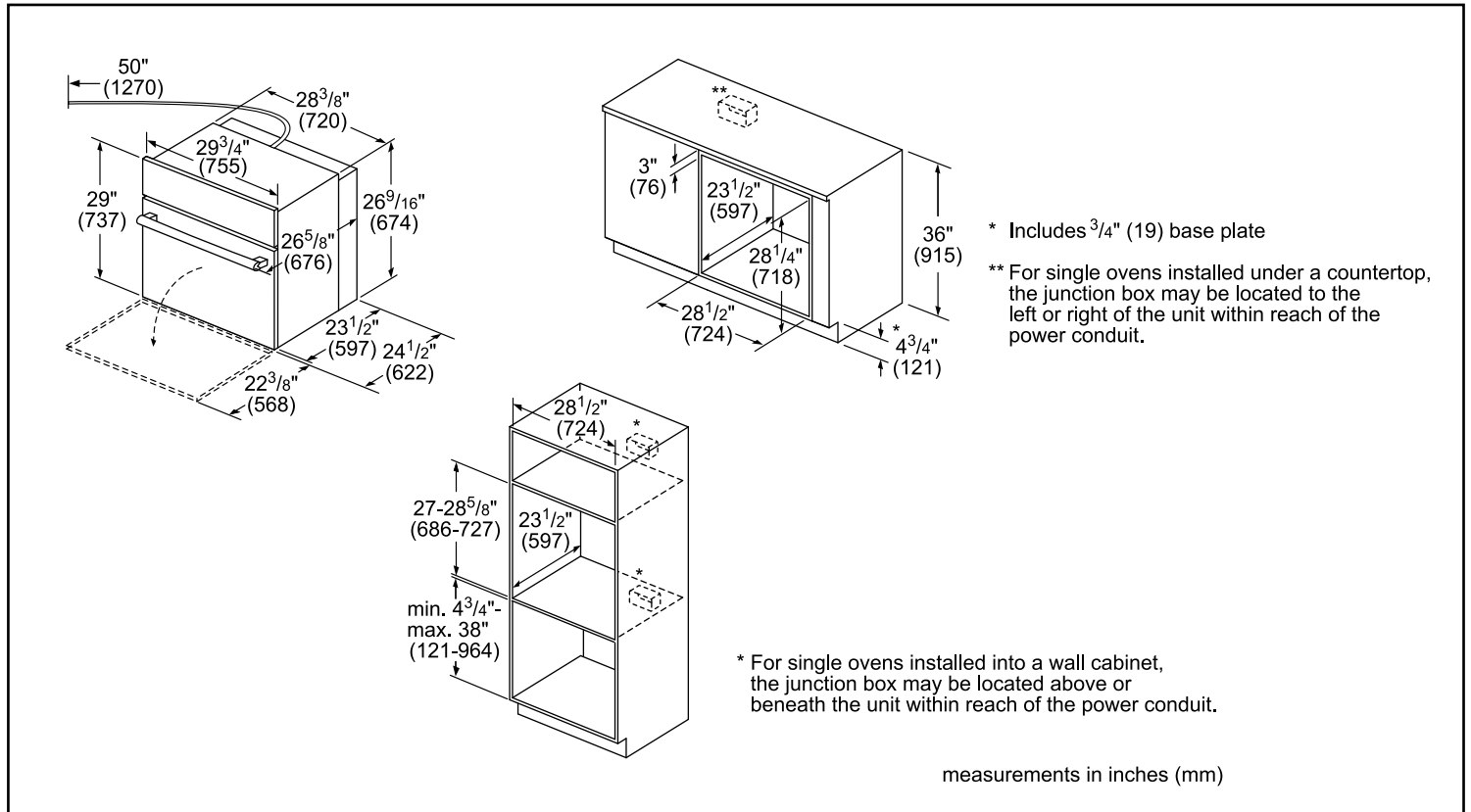
© 2014 BSH Home Appliances Canada. All rights reserved. Bosch is a registered trademark of Robert Bosch GmbH.

# 30" Single Wall Oven

500 Series – Stainless Steel HBL5351UC



## Installation Details



**For help and assistance with Bosch accessories please call 1-800-944-2904 Mon-Fri 8am to 6pm EST**

Notes: All height, width and depth dimensions are shown in inches. Please refer to installation instructions prior to making cutout. BSH reserves the absolute and unrestricted right to change product materials and specifications, at any time, without notice. Consult the product's installation instructions for final dimensional data and other details. Applicable product warranty can be found in accompanying product literature or you may contact your account manager for further details.

Warranties: Bosch warrants that the Product is free from defects in materials and workmanship for a period of three hundred and sixty-five (365) days from the date of purchase. The foregoing timeline begins to run upon the date of purchase, and shall not be stalled, tolled, extended, or suspended, for any reason whatsoever. This Product is also warranted to be free from cosmetic defects in material and workmanship (such as scratches of stainless steel, paint/porcelain blemishes, chip, dents, or other damage to the finish of the Product) for a period of thirty (30) days from the date of purchase or closing date for new construction. This cosmetic warranty excludes slight colour variations due to inherent differences in painted and porcelain parts, as well as differences caused by kitchen lighting, product location, or other similar factors. This cosmetic warranty specifically excludes any display, floor, "As Is", or "B" stock appliances.

**For more information on our entire line of products, go to [www.bosch-home.ca](http://www.bosch-home.ca) or call 1-800-944-2904**

© 2014 BSH Home Appliances Canada. All rights reserved. Bosch is a registered trademark of Robert Bosch GmbH.

# 30" Single Wall Oven

500 Series – Stainless Steel HBL5351UC



## Installation Details

**Standard**

Cutout 1      Cutout 2

1 3/4" (44mm)

**Side-by-Side Installation**

The ovens will overlap the cutout resulting in a 1/2" (13mm) spacing between the products.

**IMPORTANT:** The spacing between cutouts applies when installing any Bosch 30" or 27" single, double, combination and 27"/30" compact oven in a side-by-side installation.

**Flush**

Cutout 1      Cutout 2

1/2" (13mm)

---

**Standard Installation**  
30" Single Oven over Storage or Warming Drawer

28 1/2" (724)

27-28 5/8" (686-727)

23 1/2" (597)

9 1/4" (235)

min. 4 3/4" (121-456)

\* Wall oven junction box may be located above or right or left of the unit within reach of the power conduit.

\*\* Electrical hook up may be located below (depending on space) or next to the drawer within the reach of the power cord.

minimum 3/4" (18mm) required between cutouts

measurements in inches (mm)

**Flush Installation**  
Single Oven over Storage or Warming Drawer

Side View

1" (25) cleats

29 1/8" (740) flush cut out height

9 9/16" (243) flush cut out height

24 1/2" (622)

Single Wall Oven

Warming Drawer

\* **IMPORTANT:** base has to be able to support oven weight. Please check oven manual for minimum weight requirements.

minimum 1/2" (13) required between cutouts\*

measurements in inches (mm)

---

**Standard Installation**  
30" Speed Microwave Oven over Single Oven\*\*\*

28 1/2" (724)

19 1/4" (488)

27-28 5/8" (686-727)

23 1/2" (597)

min. 4 3/4" (121-456)

\* Junction box may be located above or next to the unit within the reach of the power cord.

\*\* Junction box may be located below (depending on space) or next to the unit within the reach of the power cord.

\*\*\* Most combinations available as combo oven (one cut out, one electrical hook up).

Minimum dimension between cut outs:

- 1" (25mm) for wall oven cut out height of 28 5/8"
- 2 5/8" (67mm) for wall oven cut out height of 27"

measurements in inches (mm)

**Flush Installation**  
Speed Microwave Oven over 30" Single Oven\*\*

Side View

1" (25) cleats

20 1/8" (511) flush cut out height

29 1/8" (740) flush cut out height

24 1/2" (622)

Speed Microwave Oven

Wall Oven

\*\*\* Flush installation requires a base plate underneath the body: 30" Products - Dimensions: H 5 1/16"(8) x W 28 1/2"(724) x D 22 1/2"(571)

minimum 1/2" (13) required between cutouts\*

\* **IMPORTANT:** base has to be able to support oven weight. Please check oven manual for minimum weight requirements.

\*\* Most combinations available as combo oven (one cut out, one electrical hook up).

measurements in inches (mm)

**For help and assistance with Bosch accessories please call 1-800-944-2904 Mon-Fri 8am to 6pm EST**

Notes: All height, width and depth dimensions are shown in inches. Please refer to installation instructions prior to making cutout. BSH reserves the absolute and unrestricted right to change product materials and specifications, at any time, without notice. Consult the product's installation instructions for final dimensional data and other details. Applicable product warranty can be found in accompanying product literature or you may contact your account manager for further details.

Warranties: Bosch warrants that the Product is free from defects in materials and workmanship for a period of three hundred and sixty-five (365) days from the date of purchase. The foregoing timeline begins to run upon the date of purchase, and shall not be stalled, tolled, extended, or suspended, for any reason whatsoever. This Product is also warranted to be free from cosmetic defects in material and workmanship (such as scratches of stainless steel, paint/porcelain blemishes, chip, dents, or other damage to the finish of the Product) for a period of thirty (30) days from the date of purchase or closing date for new construction. This cosmetic warranty excludes slight colour variations due to inherent differences in painted and porcelain parts, as well as differences caused by kitchen lighting, product location, or other similar factors. This cosmetic warranty specifically excludes any display, floor, "As Is", or "B" stock appliances.

**For more information on our entire line of products, go to [www.bosch-home.ca](http://www.bosch-home.ca) or call 1-800-944-2904**

© 2014 BSH Home Appliances Canada. All rights reserved. Bosch is a registered trademark of Robert Bosch GmbH.