

# 24" Bar Handle Dishwasher

## 300 Series- Stainless steel

### SHX43R55UC



#### Features and Benefits

##### Key Features

- 48 dBA- Quietest in its class
- Sanitize Option eliminates bacteria and enhances drying results
- AquaStop® Leak Protection
- 300 Series Racks
- InfoLight® Beams on the Floor to Indicate Dishwasher is Running

##### Design

- Stainless Steel TallTub
- Silver Painted Fascia in Stainless Steel

##### Performance

- 48 dBA- Quietest in its class
- InfoLight® Beams on the Floor to Indicate Dishwasher is Running
- 4 Wash Cycles and 1 Options
- Sanitize Option eliminates bacteria and enhances drying results

##### Efficiency

- Saves up to 280 gallons of water each year
- 259 kwh/yr - Energy Star®
- Exceeds ENERGY STAR Requirements for Water by 69%
- EcoSense™ Reduces Energy Usage by up to 20%
- Half Load Cycle for small loads

##### Convenience

- AquaStop® Leak Protection

##### Capacity

- 14 Place Setting Capacity
- 300 Series Racks



Notes: All height, width and depth dimensions are shown in inches. \*Please refer to installation instructions prior to making cutout. BSH reserves the absolute and unrestricted right to change product materials and specifications, at any time, without notice. Consult the product's installation instructions for final dimensional data and other details. Applicable product warranty can be found in a accompanying product literature or you may contact your account manager for further details.

For more information on our entire line of products, go to [boschappliances.com](http://boschappliances.com) or call 1-800-944-2904.  
Copyright ©2013 BSH Home Appliances Corporation. All rights reserved. Bosch is a registered trademark of Robert Bosch GmbH.

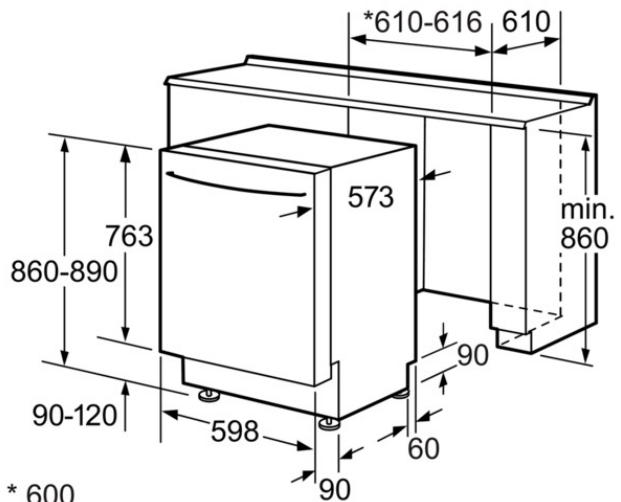
Litho Date: 04/2013



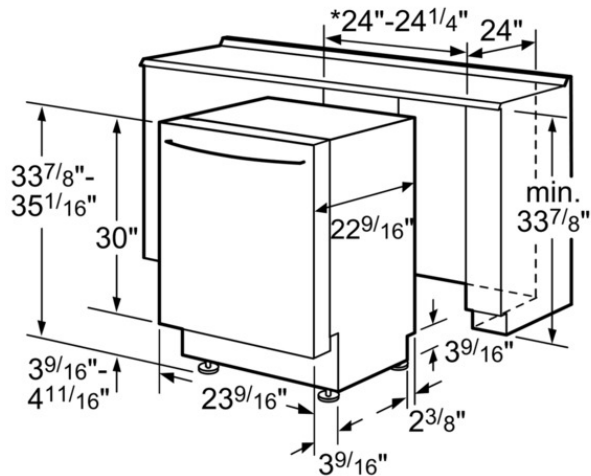
# 24" Bar Handle Dishwasher

## 300 Series- Stainless steel

### SHX43R55UC



\* 600  
without decor strips      Measurements in mm



\* 23 5/8" without decor strips  
measurements in inches

### Features

Leak Protection System	Aqua Stop
ChildLock	No
Water softener	No
Upper Rack	300
Adjustable upper rack	Single
Upper rack cup shelf	2
Lower Rack	300
Lower rack cup shelf	
3rd Rack	no
Silverware basket	Standard
Optional accessories	SGZ1010UC, SGZ1052UC, SGZPC001UC, SMZ5002UC

### Technical Specification

UPC code	825225899280
Panel ready	No
Alternative colors available	
Silence level (dBA)	48
Watts (W)	1400
Current (A)	12
Volts (V)	120
Frequency (Hz)	60
Energy Consumption (kWh/yr)	259
Energy Star® qualified	Yes
NSF certified	Yes
Plug type	Fixed connection
Power cord length (in)	
Length outlet hose (in)	90 1/2
Length inlet hose (in)	
Required cutout size (HxWxD) (in)	33 7/8 " x 24 " x 24 "
Product packaging dimensions (HxWxD) (in)	35 7/8" x 26 7/8" x 26"
Net weight (lbs)	81
Gross weight (lbs)	90
Adjustable feet	Yes
Tub material	Stainless steel
Tub type	TallTub
ADA Compliant	No
Number of place settings	14

Notes: All height, width and depth dimensions are shown in inches. \*Please refer to installation instructions prior to making cutout. BSH reserves the absolute and unrestricted right to change product materials and specifications, at any time, without notice. Consult the product's installation instructions for final dimensional data and other details. Applicable product warranty can be found in a accompanying product literature or you may contact your account manager for further details.

For more information on our entire line of products, go to [boschappliances.com](http://boschappliances.com) or call 1-800-944-2904.  
Copyright ©2013 BSH Home Appliances Corporation. All rights reserved. Bosch is a registered trademark of Robert Bosch GmbH.

Litho Date: 04/2013

