

24" Compact Washer

Axxis One - White

WAE20060UC



Features and Benefits

Key Features

- Wash Up to 13.2 lbs
- 15 Wash Cycles and 3 Options
- Multi-Function Status LED
- Snag Free Stainless Steel Drum

Design

- Neat White - European Design
- See-thru White Door
- Multi-Function Status LED
- Electronic Control
- Snag Free Stainless Steel Drum
- Stackable - Space Saving

Performance

- Sensor-controlled Automatic Washing Programs
- Up to 1000 rpm Maximum Spin Speed
- Sanitary Cycle Heats Water Up to 161° F to Kills Bacteria
- KidsCare™ Cycle Removes Toughest Stains with Ease
- Refresh Cycle Refreshes Loads Up to 4 lbs
- Quick Wash Option
- Rinse Plus Option Improved Rinsing Result

Efficiency

- Energy Star® Qualified
- Internal Water Heater Heats Water Quickly and Efficiently
- Advanced SensoTronic® Plus for Maximum Efficiency



Notes: All height, width and depth dimensions are shown in inches. *Please refer to installation instructions prior to making cutout. BSH reserves the absolute and unrestricted right to change product materials and specifications, at any time, without notice. Consult the product's installation instructions for final dimensional data and other details. Applicable product warranty can be found in a accompanying product literature or you may contact your account manager for further details.

For more information on our entire line of products, go to boschappliances.com or call 1-800-944-2904.
Copyright ©2013 BSH Home Appliances Corporation. All rights reserved. Bosch is a registered trademark of Robert Bosch GmbH.

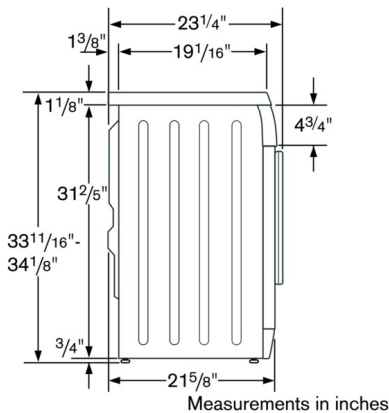
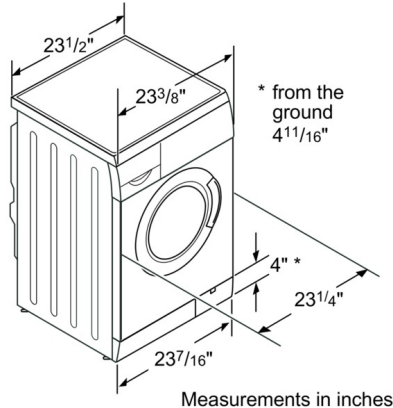
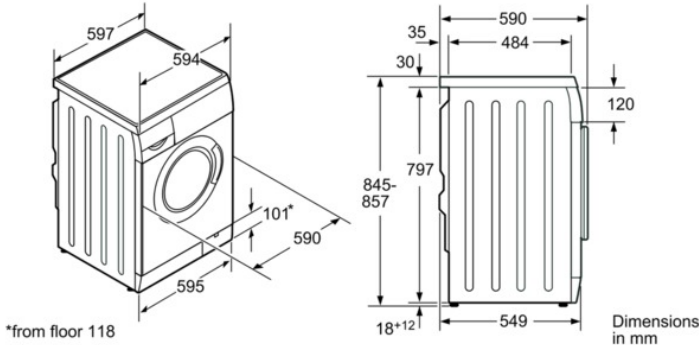
Litho Date: 04/2013



24" Compact Washer

Axxis One - White

WAE20060UC



Features

UPC code	825225865575
Variant color	White
Door ring	white
Buttons	white
Dial	white
Alternative colors available	
Noise level washing (dB(A) re 1 pW)	56
Watts (W)	2300
Current (A)	15
Volts (V)	208-240
Frequency (Hz)	60
Energy consumption (kWh/yr)	125
Water Consumption (gal/y)	3944
Energy Star® qualified	Yes
Power cord included	Yes
Power cord length (in)	63"
Plug type	240V-3 prong
Length outlet hose (in)	47.24
Length inlet hose (in)	47.24
AQUASTOP® Hose	Yes
Overall appliance dimensions (HxWxD) (in)	34 1/8" x 23 1/2" x 23 1/4"
Product packaging dimensions (HxWxD) (in)	35 7/16" x 26" x 25 9/16"
Net weight (lbs)	146
Gross weight (lbs)	154
Capacity (cu. ft.)	1.9

Technical Specification

Leak protection system	Multiple water protection
Number of Options	3
Maximum spin speed (rpm)	1000
Spin speed options	
Internal Water Heater	Yes
Display	No
Status indicator	LED

Notes: All height, width and depth dimensions are shown in inches. *Please refer to installation instructions prior to making cutout. BSH reserves the absolute and unrestricted right to change product materials and specifications, at any time, without notice. Consult the product's installation instructions for final dimensional data and other details. Applicable product warranty can be found in a accompanying product literature or you may contact your account manager for further details.

For more information on our entire line of products, go to boschappliances.com or call 1-800-944-2904.
Copyright ©2013 BSH Home Appliances Corporation. All rights reserved. Bosch is a registered trademark of Robert Bosch GmbH.

Litho Date: 04/2013

