



Register your new Bosch now:
www.bosch-home.com/welcome










Refrigerator
Réfrigérateur
Frigorífico
B30IR900SP



BOSCH

en Table of contents

 Important safety instructions	3	 Home Connect.	12
Definitions	3	Setting up Home Connect	12
About these instructions	3	Connecting the refrigerator to the Home Connect app	12
Introduction	3	Installing updates for the Home Connect software	13
Risk of explosion	3	Customer Service access	13
Risk of electric shock	3	Deleting network settings	13
Risk of injury	4	Switching the WiFi connection on or off	13
Avoiding placing children and vulnerable people at risk	4	Information on data protection	13
Damage	4	 Alarm.	13
Weight	4	Door alarm	13
State of California Proposition 65 Warnings	4	 Refrigerator compartment.	14
 Intended use	5	Note when storing food	14
 Environmental protection	5	Note the chill zones in the refrigerator compartment	14
Packaging	5	Vegetable container	14
Old appliances	5	Vegetable container with humidity controller	14
 Installation and connection	5	Chill compartment	14
Contents of package	5	 Cleaning	15
Technical data	5	Cleaning the display	15
Installing the appliance	5	Cleaning the appliance interior	15
Check built-in cut-out	5	Cleaning the fittings	15
Side-by-side installation	5	Care instructions for stainless steel surfaces	15
Saving energy	6	 Odors.	16
Before using for the first time	7	Changing the odor filter	16
Electrical connection	7	 Noises	16
 Getting to know your appliance	8	Normal noises	16
Appliance	8	Preventing noises	16
Operating controls	9	 Lighting.	16
Interior fittings	10	 Faults – what to do?	17
 Operating the appliance.	11	Appliance	17
Switching the appliance on	11	 Customer service.	18
Switching off and disconnecting the appliance	11	Appliance self-test	18
Setting the temperature	11	Repair order and advice on faults	18
Super cooling	11		
Eco mode	11		
Sabbath mode	11		

Important safety instructions

READ INSTRUCTIONS - DO NOT DISCARD!

Definitions

WARNING

Non-observance of this warning could result in death or serious injuries.

CAUTION!

Non-observance of this warning could result in slight or moderately serious injuries.

NOTICE: Non-observance of this information could damage the appliance.

Note: This indicates important information and/or tips.

About these instructions

- Read and follow the operating and installation instructions. They contain important information on how to install, use and maintain the appliance.
- The manufacturer is not liable if you disregard the instructions and warnings in the operating and installation instructions.
- Retain all documents for subsequent use or for the next owner.

Introduction

- This appliance complies with the relevant safety regulations for electrical appliances.
- The refrigeration circuit has been checked for leaks.

Risk of explosion

- Never use electric devices inside the appliance (e.g. heaters or electric ice makers).
- Do not store products which contain flammable propellants (e.g. spray cans) or explosive substances in the appliance.
- Only store high-proof alcohol tightly closed and standing up.
- Do not use other means to accelerate the defrosting process other than those recommended by the manufacturer.

Risk of electric shock

Improper installations or repairs may put the user at considerable risk.

- When installing the appliance, make sure that the power cord does not get jammed or is not damaged.
- If the power cord is damaged, immediately disconnect appliance from the power supply.
- Do not use multiple outlets, extension leads, or adapters.
- Before servicing or modifying the appliance, pull out the power plug or switch off the circuit breaker. Before cleaning the appliance, press **main On/Off switch** to switch the appliance off. Glass shelves or other fittings can be safely moved while the appliance is switched on.
- Never cut through or remove the power cord's third conductor (earthing conductor).
- Never defrost or clean the appliance with a steam cleaner. The steam may penetrate electrical parts and cause a short circuit.
- The appliance, cable and accessories should only be repaired or replaced by the manufacturer, customer services, or a similarly qualified person.
- Only use original parts supplied by the manufacturer.



Important safety instructions

READ INSTRUCTIONS - DO NOT DISCARD!

Risk of injury

Containers which contain carbonated drinks may burst.

Avoiding placing children and vulnerable people at risk

At risk are:

- Children,
- People who have limited physical, mental or sensory abilities,
- People who have inadequate knowledge concerning safe operation of the appliance.

Measures:

- Never allow children to play with the appliance.
- Ensure that children and vulnerable people have understood the hazards.
- Supervise children who are cleaning and maintaining the appliance.

Risk of suffocation

- If the appliance features a door lock: keep the key out of the reach of children.
- Keep children away from the packaging and its parts.

Damage

To prevent damage:

- Do not stand or support yourself on the base, runners or doors.
- Keep plastic parts and door seals free of oil and grease.
- Pull the power cord plug – not the power cord.

Weight

The appliance is very heavy. The appliance should always be transported and set up by at least 2 people.

→ *"Installing the appliance" on page 5*

State of California Proposition 65 Warnings

This product can expose you to chemicals including vinyl chloride, which is known to the State of California to cause cancer and birth defects or other reproductive harm.

For more information go to

www.P65Warnings.ca.gov

Intended use

Use this appliance

- Only for refrigerating food.
- only in the home and in the home environment.
- only according to these operating instructions.

This appliance is intended for use at an elevation of no more than 2000 meters above sea level.

Environmental protection

Packaging

All materials are environmentally safe and recyclable:

- Dispose of packaging in an environmentally responsible manner.
- Please ask your dealer or inquire at your local authority about current means of disposal.

Old appliances

Valuable raw materials can be reclaimed by recycling old appliances.

WARNING

CHILDREN MAY BECOME LOCKED IN THE APPLIANCE AND SUFFOCATE!

Before disposing of your old appliance:

- Remove the door.
- Leave shelves and containers in the appliance to prevent children from climbing in.
- Keep children away from the discarded appliance.

CAUTION!

REFRIGERANT AND HARMFUL GASES MAY ESCAPE.

Do not damage the tubes of the refrigeration circuit and insulation.

1. Pull out the power cord plug.
2. Cut through the power cord.
3. Have the appliance disposed of properly.

Installation and connection

Contents of package

After unpacking all parts, check for any damage during transport.

If you have any complaints, please contact the dealer from whom you purchased the appliance or our customer service.

→ "Customer service" on page 18

The delivery consists of the following parts:

- Built-in appliance
- Interior fittings (depending on model)
- Installation material
- Instruction manual
- Installation instructions
- Customer service booklet
- Guarantee enclosure
- Information on the energy consumption and noises

Technical data

Refrigerant, cubic capacity and further technical specifications can be found on the rating plate.

→ "Getting to know your appliance" on page 8

Installing the appliance

Installation location

The weight of the appliance may be up to 460 kg depending on the model. The base must be sufficiently stable and should not give. If necessary, reinforce the bottom.

Check built-in cut-out

The cut-out must fulfill these criteria:

- Anti-tilt bracket must be fitted
- Cut-out depth min. 24" (610 mm), for flush installation 25" (635 mm)
- rectangular
- stable – the side panels and the top must be min. 5/8" (16 mm) thick and securely attached to the floor or wall
- Depth of shortest side panels min. 4" (100 mm)

Side-by-side installation

Observe the specifications in the installation instructions for a side-by-side installation.

If a partition wall is required between the appliances it must be at least 5/8" (16 mm) wide.

Saving energy

If you follow the instructions below, your appliance will use less power.

Note: The arrangement of the fittings does not affect the energy consumption of the appliance.

Installing the appliance	
Keep the appliance out of direct sunlight.	The appliance needs to cool less frequently at low ambient temperatures and therefore consumes less power.
Install the appliance as far away as possible from heating elements, cooker and other heat sources: At least 1 1/4" (3 cm) from electric or gas cookers. At least 1 1 3/4" (30 cm) from oil or solid-fuel cookers. NOTICE: If this is not possible, attach an insulating plate between the appliance and heat source.	
Select an installation location at a room temperature of approx. 68 °F (20 °C).	
Do not cover or block the ventilation openings.	The appliance needs to cool less frequently if the warm air can escape and therefore consumes less power.
Ventilate the room daily.	
Using the appliance	
Open the appliance door only briefly.	The air in the appliance does not warm up so intensely. The appliance needs to cool less frequently and therefore consumes less power.
Transport purchased food in a cool bag and place in the appliance quickly.	
Allow warm food and drink to cool down before placing in the appliance.	
Thaw frozen food in the refrigerator compartment to utilize the low temperature of the frozen food.	
Always leave a space between the food and the back panel.	The air can circulate and the humidity will remain constant. The appliance needs to cool less frequently and therefore consumes less power.
Pack food airtight.	
Do not cover or block the ventilation openings.	The appliance consumes less power if the warm air can escape.
Vacuum the ventilation openings once a year.	

Before using for the first time

1. Remove information material, adhesive tape and protective foil.
2. Clean the appliance.
→ "Cleaning" on page 15

Electrical connection

CAUTION!

Do not connect the appliance to electronic energy saver plugs.

Note: You can connect the appliance to mains-controlled and sine-controlled inverters.

Mains-controlled inverters are used for photovoltaic systems which are connected directly to the national grid. Sine-controlled inverters must be used for isolated applications. Isolated applications, e.g. on ships or in mountain lodges, are not directly connected to the national grid.

1. After installing the appliance, wait at least 1 hour before connecting it to prevent damaging the compressor.
2. Check that the outlet was installed according to the regulations and complies with the requirements.

Requirements for outlets

Outlet with	110 V ... 120 V
Protective conductor	60 Hz
Fuse	10 A ... 16 A

Maximum simultaneous load

Appliance	6 A
-----------	-----

3. Connect the appliance to an outlet near the appliance.
The outlet must also be freely accessible following installation of the appliance.

WARNING

RISK OF ELECTRIC SHOCK!

Never use multiple outlets, extension leads or adapters.

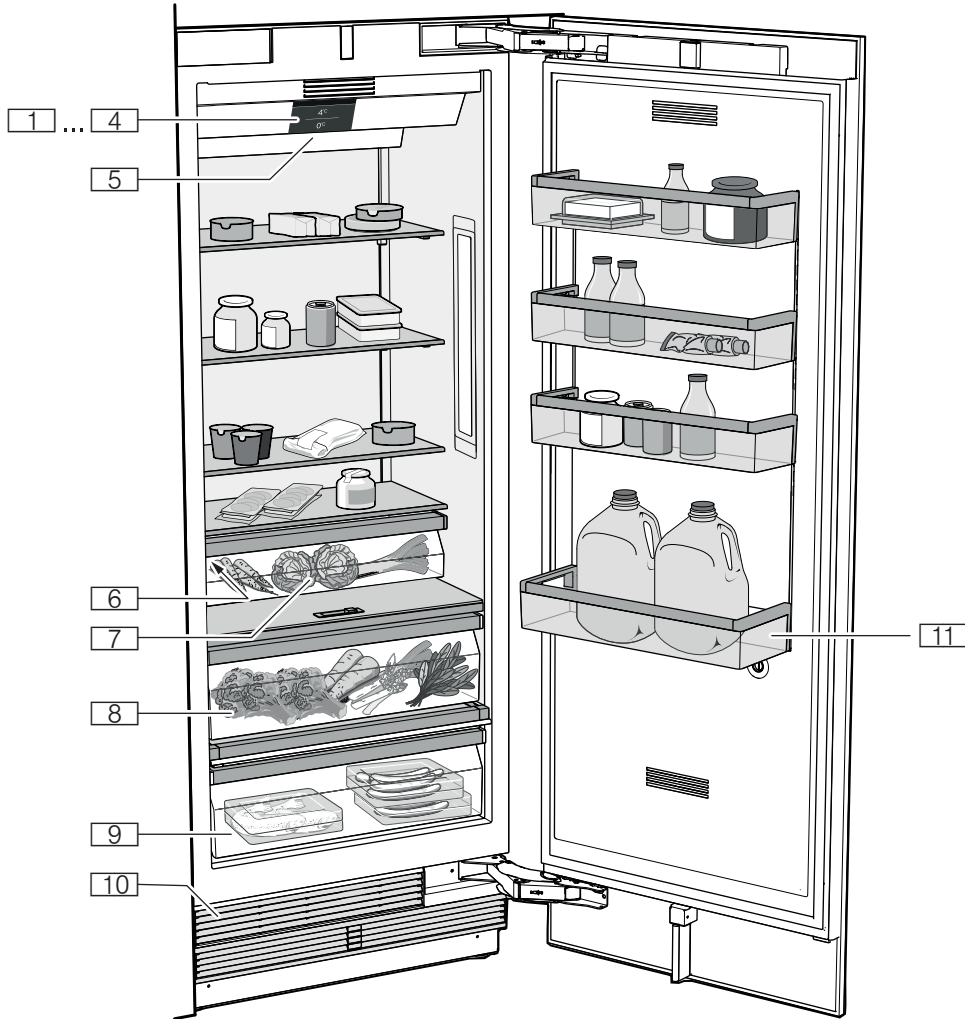
The appliance must be correctly grounded. Never cut through or remove the third (ground) conductor of the power cord.

WARNING

RISK OF ELECTRIC SHOCK!

If the length of the power cord is inadequate, never use multiple outlets or extension leads. Instead, please contact Customer Service for alternatives.

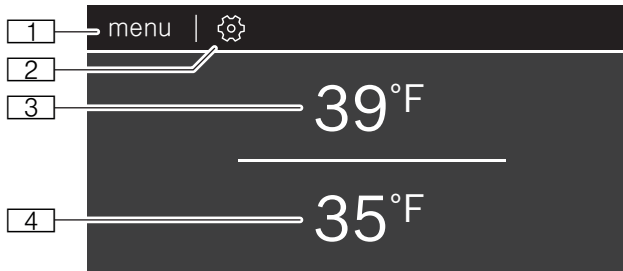
Getting to know your appliance



Appliance

- 1 ... 4 Operating controls
- 5 Main On/Off switch
- 6 Rating plate
- 7 Vegetable container
- 8 Vegetable container with humidity controller
- 9 "Cool-fresh" container
- 10 Ventilation opening
- 11 Shelf for large bottles

Operating controls



- 1 **menu** button
Opens mode selection.
- 2 button
Opens the **Settings** menu.
→ "Settings" on page 9
- 3 Refrigerator compartment temperature display
Indicates the set temperature in °C/°F.
- 4 Cool-fresh compartment temperature display
Indicates the set temperature in °C/°F.

Mode selection



Eco mode

Switch the appliance to energy-saving mode.
→ "Eco mode" on page 11



Sabbath mode

All non-essential functions are switched off so you can also use the appliance on the Sabbath.
→ "Sabbath mode" on page 11

Settings

Tap to open the settings.



Language

Change the display language.



Home Connect

Connect your refrigerator to your mobile device.

→ "Home Connect" on page 12



Tones

Set the volume of the button tone and the signal tone.



Display brightness

Adjust the brightness of the display.



Temperature unit

Select the temperature unit °C/°F.



Factory settings

Set the settings of the appliance back to its factory settings on delivery.



Self-test

Start fault analysis on your appliance.



Demo mode

Note: Do not store any food items while in demo mode, as the appliance then remains at room temperature.

The cooling function of the appliance is switched off. You can use all other functions. After switching on the appliance, this menu item is displayed for 3 minutes. To switch demo mode on or off later, switch the appliance off and back on. The mode is displayed again for 3 minutes.

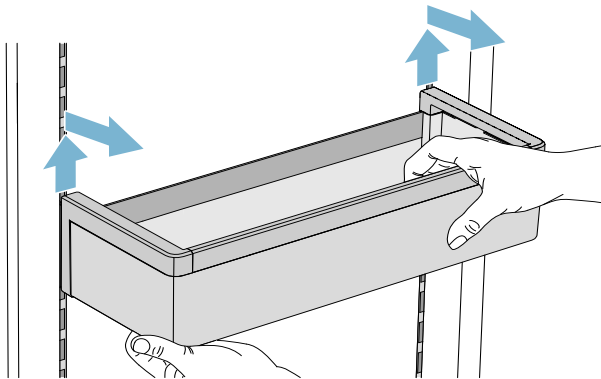
Interior fittings

(not all models)

Storage compartment

You can remove and adjust the height of the storage compartments:

1. Lift up the storage compartment and remove.

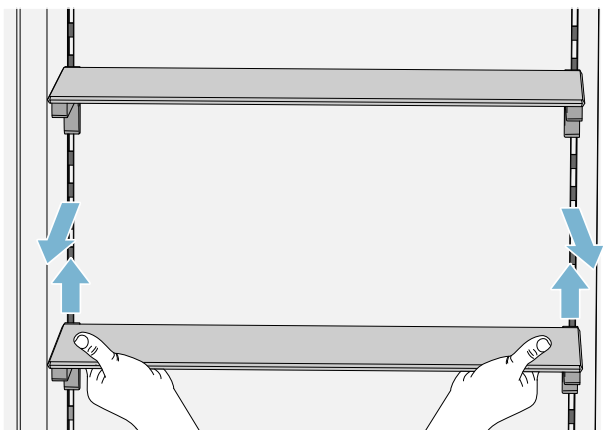


2. When re-inserting, insert hooks on back of storage compartment at same height to make it level.

Note: Insert the storage compartment carefully to avoid scratching the appliance.

Shelf

You can remove and adjust the shelf:



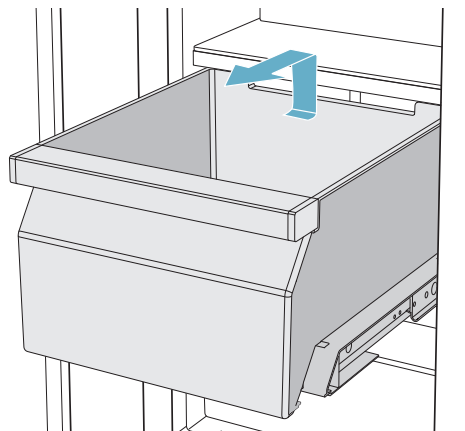
1. Lift shelf and remove.
2. When re-inserting, insert hooks on back of shelf at same height to make it level.

Note: Insert shelf carefully to avoid scratching the appliance.

Container

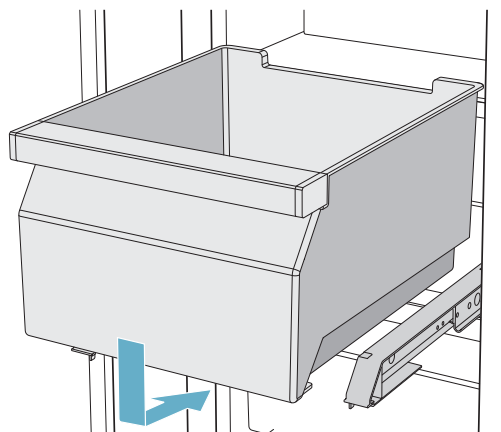
You can remove the container:

- Press container to the rear,
- lift the container at the rear and remove.



You can insert the container:

- Pull out telescopic rails all the way
- Place the container on the telescopic rails and push into the appliance until it engages.



Operating the appliance

Switching the appliance on

1. Press the **main On/Off switch**.
The appliance starts cooling and the light is switched on when the door is open.
2. Set the required temperature.
→ "Setting the temperature" on page 11

Operating tips

- After the appliance has been switched on, it may take several hours until the set temperature has been reached. Do not put in any food until the selected temperature has been reached.
- The front sides of the housing are partly heated slightly. This prevents condensation in the area of the door seal.

Switching off and disconnecting the appliance

Switching off the appliance

- Press the **main On/Off switch**.
The appliance is no longer cooling.

Disconnecting the appliance

If you do not use the appliance for a prolonged period:

1. Remove groceries.
2. Press **main On/Off** switch.
The appliance is no longer cooling.
3. Pull out mains plug or switch off fuse.
4. Leave appliance open.

Setting the temperature

Recommended temperature

Cooling compartment: +4 °C/+39 °F

Chill compartment: +1 °C/+34 °F

Setting the refrigerator compartment temperature

1. Select the compartment by tapping the temperature display.
2. Move the displayed temperature to the required value.
3. Return to the main screen with the ◀ button.

If the button is not pressed, the appliance saves the setting and automatically returns to the main screen after a few seconds.

Super cooling

Super cooling cools the refrigerator compartment as cold as possible.

Switch on super cooling, e.g.:

- Before placing large quantities of food into the compartment
- For cooling drinks quickly

Note: When super cooling is switched on, increased operating noises may occur.

After approx. 6 hours, the appliance switches to normal operation.

Switching super cooling on or off

1. Select the refrigerator compartment by tapping the temperature display.
2. Tap * button.
When the function is switched on, a pop-up window appears, explaining the function.
3. Tap **Continue**.
The pop-up window is closed, and you return to the main screen.

Note: If you have made a setting to stop the pop-up window from appearing, you can return to the main screen with the ◀ button. If the button is not pressed, the appliance saves the setting and automatically returns to the main screen after a few seconds.

Eco mode

Eco mode switches the appliance to energy-saving operation.

The appliance automatically sets the following temperatures:

- Refrigerator compartment: +43° F (6° C)
- Cool-fresh container: +34° F (1° C)

Sabbath mode

All non-essential functions are switched off so you can also use the appliance on the Sabbath.

Once Sabbath mode is switched on, you can also use the appliance on the Sabbath.

- You can select a time between 1–96 hours.
- After the selected time elapses, the appliance switches to normal operation.
- To end Sabbath mode before the selected time elapses, touch the display and tap **Switch off**.

The appliance switches off the following:

- Audible signals
- Interior light
- Messages on the control panel
- Background illumination of control panel is reduced

Home Connect

This appliance is Wi-Fi-capable and can be controlled remotely using a mobile device.

Note: Wi-Fi is a registered trade mark of the Wi-Fi Alliance.

In the following cases, the appliance functions like a refrigerator without a network connection and can still be operated manually via the controls:

- The appliance is not connected to a home network.
- The availability of the Home Connect function depends on the availability of Home Connect services in your country. Home Connect services are not available in every country. You can find more information on www.home-connect.com.

Note: Please observe the safety information in this instruction manual. Ensure that this is also observed if you operate the appliance via the Home Connect app and are not at home when doing so.

→ "Important safety instructions" on page 3

Follow the instructions in the Home Connect app as well.

Setting up Home Connect

Notes

- Wait at least 2 minutes after switching on the appliance before setting up Home Connect. Only then is internal appliance initialization complete.
- Take note of the Home Connect supplementary sheet, which is available for download at www.bosch-home.com together with the instructions. Enter the E-number of your appliance in the search field.

The first time you open the menu, you will be automatically guided through initial setup. Follow the instructions on the control panel. For further information, please also see the following chapters.

The following submenus can be found in the **Home Connect** menu:

- Switching Wi-Fi on and off
- Connect to app
- Software update
- Deleting network settings

Setting up the connection to the home network (WLAN)

The first time you open the menu, you will be automatically guided through initial setup. Follow the instructions on the control panel.

1. Install the **Home Connect** app on your mobile device.
2. Open the **Home Connect** menu on your refrigerator.

3. Open the app on your mobile device.
4. Log in or register with the app if access is not yet available.
5. Check the router of your home network to see if a WPS function is available for automatic connection.
6. If this function is available, start automatic network connection and follow the instructions on the control panel.
7. Start manual network connection if this function is not available, if you're not sure whether the function is available, or if automatic network connection failed.
The refrigerator temporarily generates its own network for connecting the mobile device.
8. Start manual network connection in the app of your mobile device.

As soon as the refrigerator is connected to the mobile device, a connection between the refrigerator and your home network (WLAN) is established.

Note: If the connection cannot be established, check whether there is sufficient reception.

Verifying signal strength

The signal strength is displayed on the control panel. The signal strength should be at least 1 bar in addition to the dot. If the signal strength is too weak, the connection may be interrupted temporarily.

Improving signal strength

- Place the router closer to the refrigerator.
- Check that screening walls do not interfere with the connection.
- Install a repeater to make the signal stronger.

Connecting the refrigerator to the Home Connect app

Use this menu to connect your refrigerator to mobile devices.

1. Install the **Home Connect** app on your mobile device and log in or register.
2. Open the **Home Connect** menu on your refrigerator.
3. Tap menu item **Connect to app**.
4. Confirm the prompt to display the refrigerator in the app.
5. Open the app and wait until the refrigerator is displayed.
Press **Add** to confirm the connection between the app and the refrigerator.
If the refrigerator is not automatically displayed, click on **Add appliance** in the app and follow the instructions. As soon as your refrigerator is displayed, add it with **+**.
6. Follow the instructions in the app until the process is complete.

Installing updates for the Home Connect software

The refrigerator checks at regular intervals whether updates are available for the Home Connect software.

The note window appears on the control panel when an update is available.

To install the update, tap **Install now**.

Install the update later:

1. Open the **Home Connect** menu.
2. Tap **Software update**.

Note: This menu is only visible if an update is available.


A note window appears.

3. To install the update, tap **Install now**.

Customer Service access

If you contact Customer Service, they can access your appliance and view its status after you have given your consent. You need to have your appliance connected to your home network for this.

Further information about Customer Service access and its availability in your country is available under www.home-connect.com in the Help & Support area.

1. Contact Customer Service.
→ *"Customer service" on page 18*
2. Confirm the start of Customer Service access in the app.
During Customer Service access the symbol  appears on the control panel.
3. As soon as Customer Service has obtained the necessary data, they end access.

Note: You can interrupt remote diagnosis early by switching off Customer Service access in the Home Connect app.

Deleting network settings

If there is a problem when trying to establish a connection, or if you would like to register the appliance in a different home network (WLAN), the Home Connect settings can be reset.

1. Open the **Home Connect** menu on your refrigerator.
2. Tap the menu item **Reset settings**.
3. Confirm the prompt to delete the network settings.

To then reconnect the appliance to the home network, perform initial setup again.

→ *"Setting up the connection to the home network (WLAN)" on page 12*

Switching the WiFi connection on or off

1. Open the **Home Connect** menu on your refrigerator.

Note: The first time you open the menu, you will be automatically guided through initial setup. Follow the instructions on the control panel.

2. Select **Switch off Wi-Fi**.
3. To start the switching off process, press **Continue**.
4. As soon as the connection to the home network has been switched off, the message **Wi-Fi switched off** will appear. Press **OK** to confirm the message.

Note: While the home network connection is switched off, you will no longer be able to operate the appliance with your mobile device.

Information on data protection

The first time your Home Connect appliance is registered on the WLAN network connected to the Internet, your appliance will transmit the following types of data to the Home Connect server (initial registration):

- Unique appliance identification (consisting of appliance codes as well as the MAC address of the installed Wi-Fi communication module).
- Security certificate of the WiFi communication module (to ensure a secure data connection).
- The current software and hardware version of your domestic appliance.
- Status of any previous resetting to factory settings.

This initial registration prepares the Home Connect functions for use and is only required when you want to use these Home Connect functions for the first time.

Note: Please note that the Home Connect functions can only be utilized with the Home Connect app. Information on data protection can be called up in the Home Connect app.

Alarm

Door alarm

If the appliance door is open for a long time, the door alarm (continuous audible signal) switches on.

- Close door.
The audible warning signal is switched off.

Refrigerator compartment

The refrigerator compartment is suitable for storing meat, sausages, fish, dairy products, eggs, ready meals and pastries.

The temperature can be set from +36 °F (+2 °C)... +46 °F (+8 °C).

The refrigerator compartment can also be used to store highly perishable groceries in the short to medium term. The lower the selected temperature, the slower the enzymatic and chemical processes and deterioration by microorganisms. A temperature of +39 °F (+4 °C) or lower ensures optimum freshness and safety of the stored groceries.

Note when storing food

Note: Avoid contact between food and the back panel.

Otherwise, the air circulation will be impaired and food or packaging may freeze to the back panel.

- Store fresh, undamaged food. The quality and freshness will then be retained for longer.
- In the case of ready products and bottled goods, do not exceed the minimum sell-by date or use-by date indicated by the manufacturer.
- To retain aroma, color and freshness, pack or cover food well before placing it into the appliance. This will prevent flavors being transferred between foods and the plastic parts from becoming discolored.
- Leave warm food and drinks to cool down before placing them into the refrigerator compartment.

Note the chill zones in the refrigerator compartment

The air circulation in the refrigerator compartment creates different chill zones.

Coldest zone

The coldest zone is in the interior at the back panel and in the chill compartment.

Note: Store delicate food (e.g. fish, sausages and meat) in the coldest zone.

Warmest zone

The warmest zone is at the very top of the door.

Note: Store e.g. hard cheese and butter in the warmest zone. Cheese can continue to release its aroma and the butter will still be easy to spread.

Vegetable container

The vegetable container is the optimum storage location for fresh fruit and vegetables. A high air humidity keeps leafy vegetables fresh for longer. Fruit and vegetables should be stored at a slightly lower air humidity.



Notes

- Fruit sensitive to cold (e.g. pineapple, banana, papaya and citrus fruit) and vegetables sensitive to cold (e.g. eggplant, cucumbers, zucchini, peppers, tomatoes and potatoes) should be stored outside of the appliance at temperatures of approx. +8 °C/+36 °F ... +12 °C/+46 °F for optimum preservation of quality and aroma.
- Condensation may form in the vegetable container depending on the type and quantity of products stored. Remove condensation with a dry cloth.

Vegetable container with humidity controller

The vegetable container is the optimum storage location for fresh fruit and vegetables. You can adjust the humidity in the vegetable container via the humidity controller and a special seal. This allows fresh fruit and vegetables to be stored up to twice as long as with conventional storage.

The humidity in the vegetable container can be set according to the type and quantity of products to be stored:

- Mainly fruit as well as for a large load – set lower humidity with controller position 
- Mainly vegetables as well as for a mixed or small load – set higher humidity with controller position 

Notes

- For optimum preservation of quality and flavor store fruit sensitive to cold (e.g. pineapple, banana, papaya and citrus fruit) and vegetables sensitive to cold (e.g. eggplant, cucumbers, zucchini, peppers, tomatoes and potatoes) outside of the appliance at temperatures of approx. +46 °F (+8 °C) ... +54 °F (+12 °C).
- Condensation may form in the vegetable container depending on the type and quantity of products stored. Remove condensation with a dry cloth and adjust the humidity in the vegetable container with the humidity controller.

Chill compartment

The chill compartment has lower temperatures than the refrigerator compartment. Temperatures below +32 °F (0 °C) may occur.

Ideal for storing fish, meat and sausage. Not suitable for salads, vegetables and groceries sensitive to cold.

The temperature in the chill compartment can be adjusted.

Cleaning

CAUTION!

AVOID DAMAGING THE APPLIANCE AND THE FITTINGS.

- Do not use abrasive, chloride or acidic cleaning agents or solvents.
- Do not use scouring or abrasive sponges. The metallic surfaces may corrode.
- Never clean the shelves or containers in the dishwasher. The parts may become deformed.

Cleaning the display

The change in temperature and humidity can cause the controls to steam up.

Switch the clean lock on before cleaning.

Use a clean micro-fiber cloth for cleaning.

Cleaning the appliance interior

Proceed as follows:

1. Press the **main On/Off switch**.
2. Take out food and store in a cool location. Place ice pack (if available) on the food.
3. Clean the appliance with a soft cloth, lukewarm water and a little pH-neutral washing-up liquid.

CAUTION!

The rinsing water must not run into the light or through the drainage hole into the evaporation area.

4. Wipe door seal with clear water and dry thoroughly with a cloth.
5. Switch appliance back on and put in food.

Cleaning the fittings

To clean, take the variable parts out of the appliance.

→ *"Interior fittings" on page 10*

Care instructions for stainless steel surfaces

When taking care of and cleaning stainless steel surfaces, use only cleaning agents suitable for stainless steel and a stainless steel cleaning cloth.

You can purchase a suitable stainless steel cleaning cloth from customer service.

To prevent visible scratches, clean the stainless steel surface in the direction of the structure.

Odors

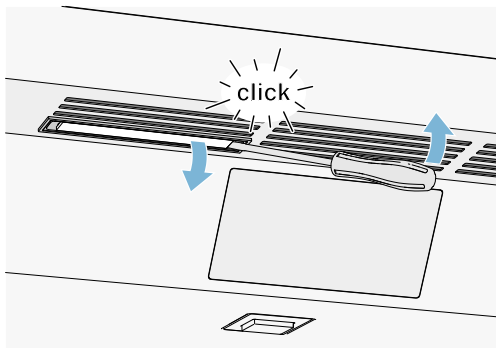
If you experience unpleasant odors:

1. Switch off the appliance with the main On/Off switch.
2. Take all food out of the appliance.
3. Clean the inside.
→ "Cleaning" on page 15
4. Clean all packaging.
5. Seal strong-smelling food in order to prevent odors from forming.
6. Switch the appliance on again.
7. Store food in the appliance.
8. Check whether the formation of odors is still occurring after 24 hours.
9. Change the odor filter.
→ "Changing the odor filter" on page 16

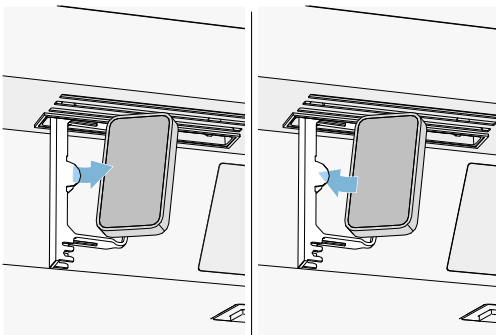
Changing the odor filter

Replacement filters are available from your customer service.

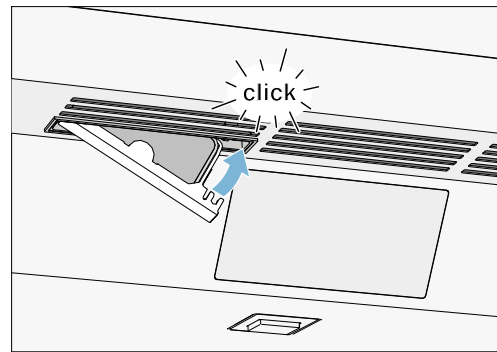
1. Open the filter holder with a slotted screwdriver.



2. Remove the used odor filter and replace with a new odor filter.



3. Close the filter holder.



Noises

Normal noises

Droning: A motor is running, e.g. refrigerating unit, ventilator.

Bubbling, buzzing or gurgling: Refrigerant is flowing through the tubes.

Clicking: Motor, switches or solenoid valves are switching on or off.

Cracking: Automatic defrosting is running.

Preventing noises

Appliance is not level: Align appliance using a water level. If required, place a little packing underneath.

Containers, shelves or storage compartments wobble or stick: Check the removable fittings and re-insert if required.

Lighting

Your appliance features a maintenance-free LED light.

Only customer service or authorized technicians may repair the light.

Faults – what to do?

Before you call customer service, use this table to check whether you can rectify the fault yourself.

Appliance

Temperature differs greatly from the set value.	
	<p>Switch off appliance for 5 minutes. → "Switching off and disconnecting the appliance" on page 11</p> <p>If the temperature is too warm, check temperature again after a couple of hours.</p> <p>If the temperature is too cold, check temperature again on the following day.</p>
Displays do not illuminate.	
The mains plug has not been inserted properly.	Connect the mains plug.
The fuse has tripped.	Check the fuses.
The power has failed.	Check whether the power is on.
The refrigeration unit is switching on more frequently and for longer.	
The appliance was opened frequently.	Do not open the appliance unnecessarily.
The ventilation openings are covered up.	Remove obstacles.
Large quantities of fresh food have been put in.	Switch on super cooling promptly in advance.
Appliance is not cooling, display and lighting are lit.	
Demo mode is switched on.	<p>Switch demo mode off. → "Settings" on page 9</p>



Customer service

If you are unable to rectify the fault, please contact our customer service. We will always find an appropriate solution in order to avoid unnecessary visits by engineers.

The contact information for your nearest customer service can be found here or on the enclosed customer service list.


When calling, please state the product number (E-Nr.) and the production number (FD), which can be found on the rating plate.

→ *"Getting to know your appliance" on page 8*

Trust the expertise of the manufacturer. You can therefore be sure that the repair is carried out by trained service engineers who carry original spare parts for your home appliances.

Appliance self-test

Your appliance features a self-test program which displays the fault your customer service can rectify.

1. Press  button to open the settings.
2. Tap the menu item **Self-test**.
3. Tap **Start**.
The self-test program starts.
4. If faults are present, they will be displayed.
In this case, follow the instructions on the display.
5. The appliance restarts.
6. A message that the self-test has finished is displayed for 10 seconds.

When the self-test has ended, the appliance switches to normal operation.

Repair order and advice on faults

Contact information for all countries can be found on the enclosed customer service list.

GB	0344 892 8979	Calls charged at local or mobile rate
IE	01450 2655	0.03 € per minute at peak. Off peak 0.0088 € per minute.
US	800 944 2904	toll-free

fr Table des matières

 Consignes de sécurité importantes	20	Connecter le réfrigérateur à l'application Home Connect	30
Définitions	20	Installer une mise à jour du logiciel Home Connect	31
À propos de cette notice	20	Accès au service à la clientèle	31
Introduction	20	Supprimer les paramètres réseau	31
Risque d'explosion	20	Activer ou désactiver la connexion au réseau domestique	31
Risque d'électrocution	20	Remarque sur la protection des données	31
Risque de blessure	21		
Sécurité des enfants et des personnes à risque	21	 Alarme	32
Dégâts matériels	21	Alarme de porte	32
Poids	21	 Compartment réfrigérateur	32
Avertissements de la Proposition 65 de l'État de la Californie	21	Consignes de rangement	32
 Utilisation conforme	22	Tenez compte des différentes zones froides dans le compartiment réfrigérateur	32
 Protection de l'environnement	22	Bac à légumes	32
Emballage	22	Bac à légumes avec régulateur d'humidité	32
Appareil usagé	22	Compartiment froid	33
 Installation et branchement	23	 Nettoyage	33
Contenu de livraison	23	Nettoyer l'écran	33
Données techniques	23	Nettoyer le compartiment intérieur de l'appareil	33
Installer l'appareil	23	Nettoyer l'équipement	33
Vérifier la cavité d'installation	23	Consignes d'entretien pour les surfaces en inox	33
Installation juxtaposée	23	 Odeurs	34
Économiser de l'énergie	24	Changez le filtre à odeurs	34
Avant la première utilisation	25	 Bruits	34
Connexion électrique	25	Bruits normaux	34
 Présentation de l'appareil	26	Prévenir les bruits	34
Appareil	26	 Éclairage	34
Éléments de commande	27	 Que faire en de problème	35
Équipement	28	Appareil	35
 Utiliser l'appareil	29	 Service à la clientèle	36
Allumer l'appareil	29	Autodiagnostic de l'appareil	36
Arrêter et remiser l'appareil	29	Commande de réparation et conseils en cas de problèmes	36
Régler la température	29		
Super-réfrigération	29		
Mode éco	29		
Mode Sabbat	29		
 Home Connect	30		
Configurer Home Connect	30		

Consignes de sécurité importantes

VEUILLEZ LIRE ET CONSERVER CES CONSIGNES!

Définitions

AVERTISSEMENT

Cet avertissement indique un risque pouvant avoir des conséquences graves, voire mortelles.

ATTENTION !

Cet avertissement indique un risque pouvant avoir des conséquences mineures, voire modérées.

AVIS : Cette mise en garde indique un risque de dommage à l'appareil.

Remarque : Ce symbole sert à identifier des renseignements importants ou des conseils.

À propos de cette notice

- Veuillez lire et respecter le contenu de cette notice d'utilisation et de montage. Elle contient des remarques importantes concernant l'installation, l'utilisation et l'entretien de l'appareil.
- Le fabricant décline toute responsabilité si vous ne tenez pas compte des remarques et avertissements figurant dans la notice de montage et celle d'utilisation.
- Veuillez conserver tous ces documents en vue d'une réutilisation ultérieure ou pour le cas où l'appareil changerait de propriétaire.

Introduction

- Cet appareil est conforme aux dispositions de sécurité applicables aux appareils électriques.
- Le circuit frigorifique a subi un contrôle d'étanchéité.

Risque d'explosion

- N'utilisez pas d'appareils électriques à l'intérieur de l'appareil (par ex. appareils de chauffage, machine à glaçons).
- Ne stockez dans l'appareil aucun produit contenant des gaz propulseurs combustibles (bombes aérosols par exemple) et aucune substance explosive.
- Ne conservez les bouteilles de boissons fortement alcoolisées qu'hermétiquement fermées et debout.
- Hormis les instructions du fabricant, ne prenez aucune mesure visant à accélérer le dégivrage de l'appareil.

Risque d'électrocution

Toute installation ou réparation incorrecte peut engendrer des risques considérables pour l'utilisateur.

- Veillez à ne pas coincer ou endommager le câble d'alimentation en posant l'appareil.
- Si le cordon d'alimentation est endommagé : débranchez immédiatement l'appareil du secteur.
- N'utilisez pas de rallonge, de bloc multiprise ou d'adaptateur.
- Débranchez la fiche de contact ou ramenez le disjoncteur en position éteinte avant d'effectuer des opérations d'entretien ou des modifications sur l'appareil.
Avant de nettoyer l'appareil, actionnez **l'interrupteur principal Marche/Arrêt** pour éteindre l'appareil.
Les clayettes en verre et autres équipements peuvent être déplacés sans danger pendant que l'appareil est en marche.
- Ne retirez ni sectionnez jamais le troisième conducteur (conducteur de mise à la terre) du cordon d'alimentation.
- Ne décongelez et ne nettoyez jamais l'appareil avec un nettoyeur à vapeur. La vapeur risque d'atteindre des pièces électriques et de provoquer un court-circuit.

Consignes de sécurité importantes

VEUILLEZ LIRE ET CONSERVER CES CONSIGNES!

- Ne confiez la réparation ou le remplacement de l'appareil, du cordon et des accessoires qu'au fabricant, au service à la clientèle ou à une personne présentant une qualification équivalente.
- N'utilisez que des pièces de rechange d'origine venant du fabricant.

Risque de blessure

Les récipients contenant des boissons gazeuses risquent d'éclater.

Sécurité des enfants et des personnes à risque

Personnes à risques :

- Les enfants,
- Les personnes présentant un handicap physique, psychique ou sensoriel,
- Les personnes qui ne savent pas suffisamment comment utiliser l'appareil de manière sûre.

Mesures :

- Ne laissez jamais des enfants jouer avec l'appareil.
- Assurez-vous que les enfants et les personnes à risques ont bien compris la nature des dangers.
- Surveillez les enfants pendant le nettoyage et la maintenance.

Risque d'asphyxie

- Appareils équipés d'une serrure : rangez la clé hors de portée des enfants.
- Ne confiez jamais l'emballage et ses pièces constitutives aux enfants.

Dégâts matériels

Pour éviter des dégâts matériels :

- Ne vous servez jamais du socle, des glissières ou des portes comme marchepieds et ne vous appuyez jamais dessus.
- Veillez à ce que les pièces en matière plastique et les joints de porte soient exempts d'huile et de graisse.
- Pour débrancher, ne saisissez que la fiche mâle, pas le cordon de branchement.

Poids

L'appareil est très lourd. Il faut être au moins 2 personnes pour installer et transporter l'appareil.

→ *"Installation et branchement"*
à la page 23

Avertissements de la Proposition 65 de l'État de la Californie

Ce produit peut vous exposer à des produits chimiques, comme du chlorure de vinyle, reconnu par l'État de la Californie comme causant le cancer, des malformations congénitales ou d'autres effets nocifs sur la reproduction. Pour de plus amples renseignements, consultez www.P65Warnings.ca.gov

Utilisation conforme

Utilisez cet appareil

- uniquement pour la réfrigération des produits alimentaires.
- Uniquement dans un foyer et dans l'environnement domestique.
- Uniquement en conformité avec la présente notice d'utilisation.

Cet appareil est conçu pour une utilisation jusqu'à une altitude maximale de 2000 m.

Protection de l'environnement

Emballage

Tous les matériaux sont non polluants et recyclables :

- Éliminez l'emballage dans le respect de l'environnement.
- Veuillez vous informer sur les modes d'élimination des déchets auprès de votre revendeur ou de l'administration publique.



Éliminez l'emballage dans le respect de l'environnement.

Appareil usagé

L'élimination dans le respect de l'environnement permet de récupérer de précieuses matières premières.

AVERTISSEMENT

LES ENFANTS RISQUE DE S'ENFERMER DANS L'APPAREIL ET DE S'ASPHYXIER. !

Avant d'envoyer l'appareil au recyclage :

- Démontez la porte.
- Pour dissuader les enfants de grimper dans l'appareil, ne retirez pas les clayettes et les bacs !
- Éloignez les enfants de l'appareil qui a cessé de servir.

ATTENTION !

LE FLUIDE FRIGORIGÈNE ET DES GAZ NOCIFS PEUVENT SE DÉGAGER.

Veillez à ne pas endommager les tubulures du circuit frigorifique, ni l'isolant.

1. Débranchez la fiche de contact de la prise de courant.
2. Coupez le câble de raccordement secteur.
3. Acheminez l'appareil au service d'élimination approprié.



Installation et branchement

Contenu de livraison

Après avoir déballé le produit, inspectez toutes les pièces pour détecter d'éventuels dégâts dus au transport.

En cas de réclamation, veuillez vous adresser au revendeur auprès duquel vous avez acquis l'appareil ou auprès de notre service à la clientèle.

→ "Service à la clientèle" à la page 36

La livraison comprend les pièces suivantes :

- Appareil encastrable
- Équipement (selon le modèle)
- Matériel de montage
- Mode d'emploi
- Notice de montage
- Carnet de service à la clientèle
- Pièce annexe de la garantie
- Informations relatives à la consommation d'énergie et aux bruits

Données techniques

La plaque signalétique mentionne le fluide frigorigène, le volume utile ainsi que d'autres renseignements.

→ "Présentation de l'appareil" à la page 26

Installer l'appareil

Lieu d'installation

Selon le modèle, le poids de l'appareil peut atteindre 460 kg. Le plancher doit être suffisamment stable ; il ne doit pas s'affaisser. Renforcez le plancher au besoin.

Vérifier la cavité d'installation

La cavité doit remplir les critères suivants :

- L'équerre antibasculement doit être montée
- La cavité doit avoir une profondeur d'au moins 24 po (610 mm) ou de 25 po (635 mm) pour une installation affleurante.
- à angle droit
- stable – les parois latérales et le plafond doivent avoir une épaisseur d'au moins 5/8 po (16mm) et être reliés au plancher ou au mur solidement
- Profondeur des parois latérales raccourcies d'au moins 4 po (100 mm)

Installation juxtaposée

Si vous optez pour une installation juxtaposée, suivez les instructions à cet effet dans le manuel d'installation.

Si une paroi de séparation est nécessaire entre les appareils, cette dernière doit avoir une largeur d'au moins 5/8 po (16 mm).

Économiser de l'énergie

Si vous respectez les instructions suivantes, votre appareil consommera moins de courant.

Remarque : L'agencement des pièces d'équipement n'a aucune influence sur la consommation d'énergie de l'appareil.

Installer l'appareil	
Mettez l'appareil à l'abri des rayons du soleil.	En présence de températures ambiantes basses, l'appareil doit réfrigérer moins souvent et il consomme donc moins de courant.
Installer l'appareil à la plus grande distance possible d'un radiateur, d'une cuisinière et d'autres sources de chaleur :	
Minimum 1 ¼" (3 cm) d'une cuisinière électrique ou à gaz.	
Minimum 1 1¾" (30 cm) d'un appareil de chauffage à l'huile ou au charbon.	
AVIS : Si ce n'est pas possible, installez une plaque isolante entre l'appareil et la source de chaleur.	
Choisissez un lieu d'installation où règne une température ambiante d'environ 68 °F (20 °C).	
Ne recouvrez et ne bouchez pas les orifices d'aération.	L'appareil consomme moins de courant si l'air chaud peut s'échapper.
Aérez quotidiennement la pièce.	
Utilisation de l'appareil	
N'ouvrez la porte de l'appareil que brièvement.	L'air dans l'appareil ne se réchauffe pas aussi fortement. L'appareil doit réfrigérer plus rarement et consomme de la sorte moins d'électricité.
Transportez les produits alimentaires achetés dans un sac isotherme et rangez-les rapidement dans l'appareil.	
Attendez que les plats chauds aient refroidi avant de les ranger dans l'appareil.	
Pour décongeler les produits congelés, rangez-les dans le compartiment réfrigérateur pour profiter du froid des produits congelés.	
Laissez toujours un peu de place entre les produits alimentaires et la paroi arrière.	L'air peut circuler de cette manière et l'humidité de l'air demeure constante. L'appareil doit réfrigérer plus rarement et consomme de la sorte moins d'électricité.
Emballez hermétiquement les produits alimentaires.	
Ne recouvrez et ne bouchez pas les orifices d'aération.	L'appareil consomme moins de courant si l'air chaud peut s'échapper.
Une fois par an, passez l'aspirateur au dos de l'appareil.	

Avant la première utilisation

1. Retirez la documentation informative, les rubans adhésifs et la feuille protectrice.
2. Nettoyez l'appareil.
→ "Nettoyage" à la page 33

Connexion électrique

ATTENTION !

Ne raccordez pas l'appareil à une fiche électronique d'économie d'énergie.

Remarque : Vous pouvez raccorder l'appareil à des onduleurs pilotés par le réseau et pilotés en onde sinusoïdale.

Les onduleurs pilotés par le réseau s'utilisent sur les installations photovoltaïques directement raccordées au réseau public d'électricité. Dans les solutions en îlot, vous devrez utiliser des onduleurs pilotés en onde sinusoïdale. Les solutions en îlot, par exemple sur les bateaux ou les refuges de montage, n'ont pas de raccordement direct au réseau public d'électricité.

1. Après l'installation de l'appareil, attendez au moins 1 heure avant de le raccorder afin d'éviter d'endommager le compresseur.
2. Assurez-vous que la prise murale est correctement installée et satisfait aux critères.

Critères pour la prise murale

Prise de	110 V ... 120 V
Fil de terre	60 Hz
Fusible	10 A ... 16 A

Charge maximale simultanée

Appareil	6 A
----------	-----

3. Raccordez l'appareil à une prise à proximité. Cette prise doit rester accessible même une fois l'appareil installé.

AVERTISSEMENT

RISQUE D'ÉLECTROCUTION !

N'utilisez pas de rallonge, de bloc multiprise ou d'adaptateur.

L'appareil doit être correctement mis à la terre.

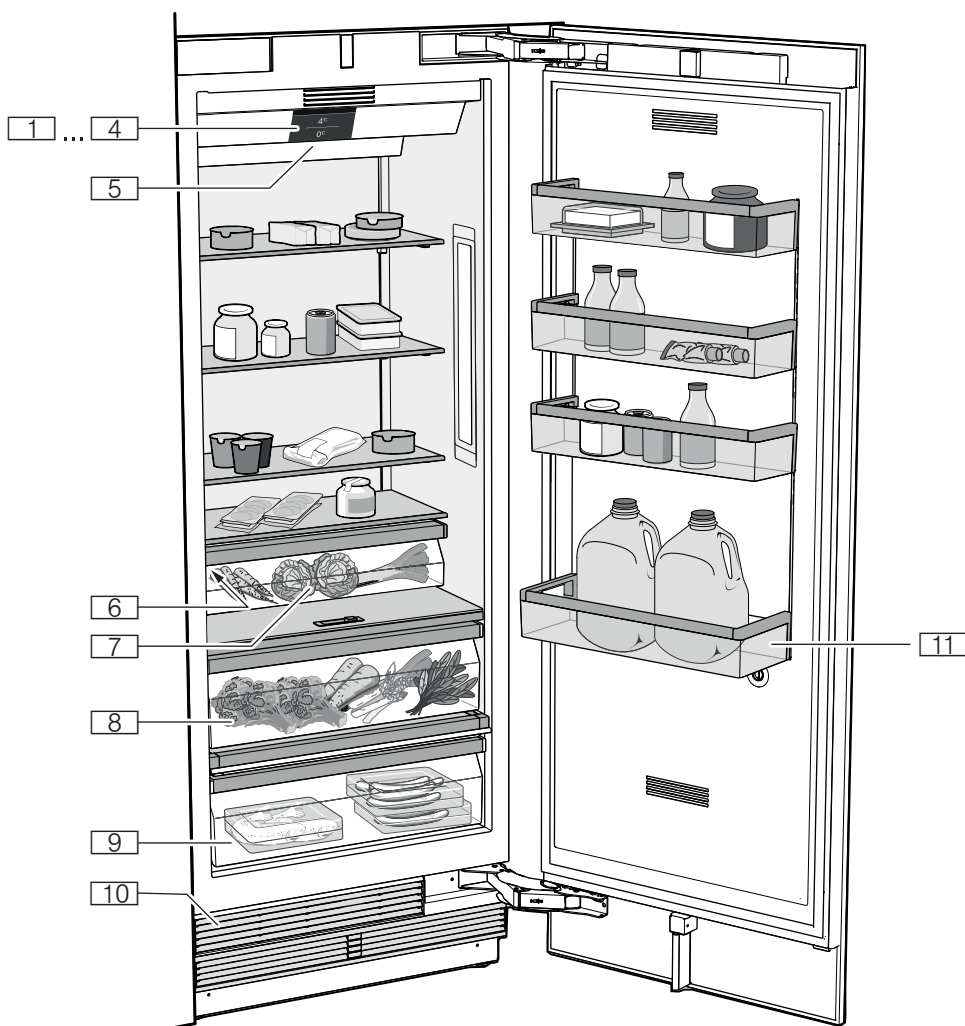
Ne retirez ni sectionnez jamais le troisième conducteur (conducteur de mise à la terre) du cordon d'alimentation.

AVERTISSEMENT

RISQUE D'ÉLECTROCUTION !

Si la longueur du cordon d'alimentation est insuffisante, abstenez-vous à tout prix d'utiliser une rallonge ou un bloc multiprise. Contactez plutôt le service à la clientèle pour des solutions de rechange.

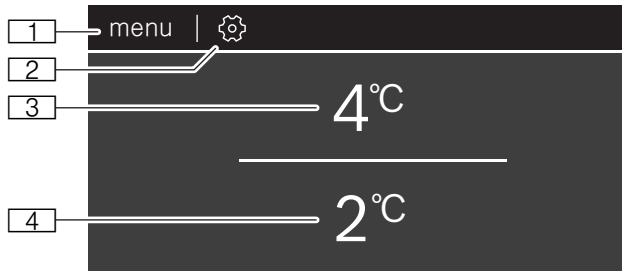
Présentation de l'appareil



Appareil

- 1...4 Éléments de commande
- 5 Interrupteur principal marche/arrêt
- 6 Plaque signalétique
- 7 Bac à légumes
- 8 Bac à légumes avec régulateur d'humidité
- 9 Bac fraîcheur
- 10 Prise d'air
- 11 Clayette pour grandes bouteilles

Éléments de commande



- 1 Touche **menu**
Ouvre la sélection du mode d'opération.
- 2 Touche
Ouvre le menu **Réglages**.
→ "Réglages" à la page 27
- 3 Affichage de la température du compartiment réfrigération
Affiche la température réglée en °C/°F.
- 4 Affichage de la température du compartiment fraîcheur
Affiche la température réglée en °C/°F.

Sélect. mode opération

Mode éco

Le mode éco vous permet d'économiser de l'énergie lors du fonctionnement de l'appareil.
→ "Mode éco" à la page 29

Mode Sabbat

En mode sabbat, toutes les fonctions non essentielles sont éteintes afin que vous puissiez utiliser l'appareil même le jour du Sabbat.
→ "Mode Sabbat" à la page 29

Réglages

Pour ouvrir les réglages, appuyez sur

- Langue**
Modifiez la langue d'affichage.
- Home Connect**
Connectez votre réfrigérateur à votre terminal mobile.
→ "Home Connect" à la page 30
- Sons**
Réglez le volume du son des touches et des signaux.
- Luminosité de l'afficheur**
Réglez la luminosité de l'écran
- Unité de température**
Sélectionner unité de température °C/°F.
- Paramètres d'usine**
Pour réinitialiser les paramètres d'usine de l'appareil.
- Autodiagnostic**
Pour lancer une analyse des erreurs de votre appareil.
- Mode démo**

Remarque : Ne remplissez pas l'appareil de produits alimentaires en mode démo, car il demeure à la température de la pièce.

La fonction de réfrigération de l'appareil est désactivée. Toutes les autres fonctions sont à votre disposition.

Ce point de menu reste allumé pendant 3 minutes après la mise en route de l'appareil. Pour activer ou éteindre le mode démo ultérieurement, vous devez redémarrer l'appareil. Le mode redevient visible pendant 3 minutes.

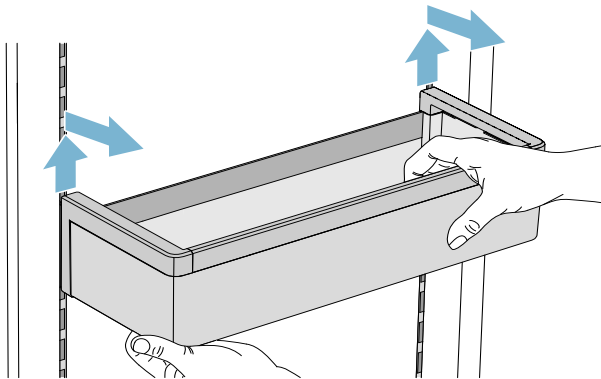
Équipement

(selon le modèle)

Support

Vous pouvez retirer les compartiments et en modifier la hauteur :

1. Soulevez les compartiments et retirez-les.

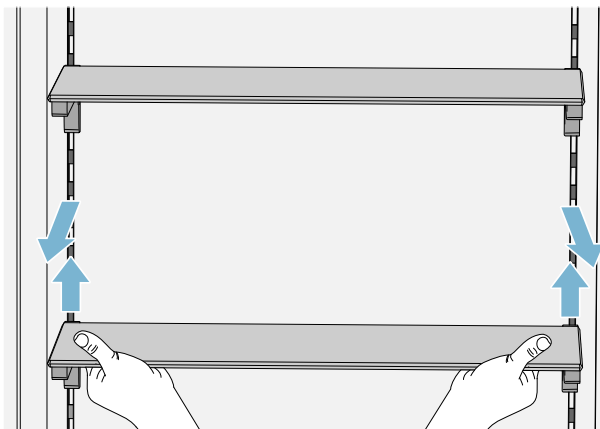


2. Pour remettre un compartiment en place, positionnez les crochets à l'arrière de celui-ci à la même hauteur afin que le compartiment soit bien droit.

Remarque : Insérez prudemment le compartiment afin d'éviter d'égratigner l'appareil.

Clayette

Vous pouvez retirer la clayette et en modifier la position :



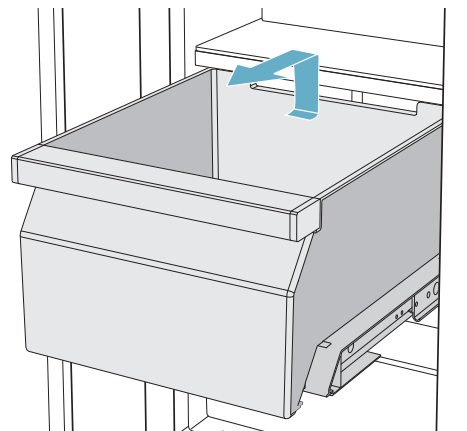
1. Soulevez la clayette et retirez-la.
2. Pour la remettre en place, positionnez les crochets à l'arrière de la clayette à la même hauteur afin qu'elle soit bien droite.

Remarque : Posez prudemment la clayette afin d'éviter d'égratigner l'appareil.

Bac

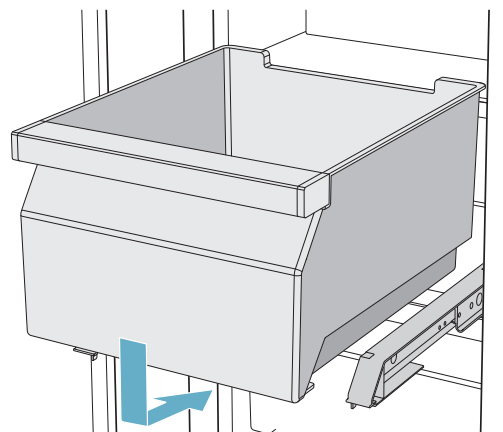
Vous pouvez retirer le bac :

- Poussez le bac vers l'arrière,
- soulevez-le par l'arrière et sortez-le.



Vous pouvez insérer le bac :

- Sortez complètement les rails de sortie
- Posez le bac sur les rails de sortie et poussez-le dans l'appareil jusqu'à ce qu'il s'enclenche.



Utiliser l'appareil

Allumer l'appareil

1. Actionner **l'interrupteur principal marche/arrêt**.
L'appareil commence à réfrigérer ; porte en position ouverte, l'éclairage est allumé.
2. Régler la température souhaitée.
→ "Régler la température" à la page 29

Remarques concernant le fonctionnement de l'appareil

- Une fois allumé, l'appareil peut prendre plusieurs heures à atteindre la température réglée. Ne rangez pas de produits alimentaires tant que la température choisie n'est pas atteinte.
- L'appareil chauffe légèrement une partie de ses surfaces frontales. Cela prévient la condensation d'eau dans la zone du joint de porte.

Arrêter et remiser l'appareil

Éteindre l'appareil

- **Appuyez sur l'interrupteur principal Marche / Arrêt.**
L'appareil ne réfrigère plus.

Éteindre l'appareil

Si l'appareil doit rester longtemps sans servir :

1. Retirez les aliments de l'appareil.
2. **Appuyez sur l'interrupteur principal Marche / Arrêt.**
L'appareil ne réfrigère plus.
3. Débranchez la fiche de contact de la prise de courant ou ramenez le disjoncteur en position éteinte.
4. Laissez l'appareil ouvert.

Régler la température

Température recommandée

Compartiment réfrigérateur :	+4 °C/+39 °F
Compartiment froid :	+1 °C/+34 °F

Ajuster la température du réfrigérateur

1. Choisissez le compartiment souhaité en le touchant à l'écran d'affichage des températures.
2. Réglez la température affichée à la valeur souhaitée.
3. Retournez à l'écran principal avec la touche ◀.
Si vous n'enfonchez pas la touche, l'appareil enregistre le paramètre et retourne automatiquement à l'écran principal après quelques secondes.

Super-réfrigération

Pendant la super-réfrigération, le compartiment réfrigérateur refroidit au maximum.

Enclenchez la super-réfrigération par ex. dans les cas suivants :

- avant de ranger de grandes quantités d'aliments.
- afin de réfrigérer rapidement des boissons.

Remarque : Si vous avez activé la super-réfrigération, l'appareil peut fonctionner plus bruyamment.

Au bout de 6 heures, l'appareil revient en service normal.

Activer ou désactiver la super-réfrigération

1. Choisissez le compartiment réfrigérateur en le touchant à l'écran d'affichage des températures.
2. Appuyez sur la touche ✱.
Lorsque la fonction est activée une fenêtre d'explication contextuelle apparaît.
3. Appuyez sur **Poursuivre**.
La fenêtre contextuelle se ferme et vous retournez à l'écran principal.

Remarque : Si vous avez désactivé l'apparition de la fenêtre dans vos réglages, appuyez sur la touche ◀ pour retourner à l'écran principal. Si vous n'enfonchez pas la touche, l'appareil enregistre le paramètre et retourne automatiquement à l'écran principal après quelques secondes.

Mode éco

Le mode éco vous permet d'économiser de l'énergie lors du fonctionnement de l'appareil.

L'appareil règle les températures automatiques suivantes :

- Compartiment réfrigération : 43 °F (6 °C)
- Compartiment fraîcheur : 34 °F (1 °C)

Mode Sabbat

En mode sabbat, toutes les fonctions non essentielles sont éteintes afin que vous puissiez utiliser l'appareil même le jour du Sabbat.

Le mode Sabbat vous permet d'utiliser l'appareil même le jour du Sabbat.

- Il peut être réglée pour une durée de 1 à 96 heures.
- Une fois la durée réglée écoulee, l'appareil se remet en mode normal.
- Pour mettre fin au mode Sabbat avant que ne termine de s'écouler cette période, touchez l'écran et appuyez sur **Éteindre**.

L'appareil éteint les composants suivants :

- Signaux sonores
- Éclairage intérieur
- Messages sur le panneau de commande
- La luminosité du rétro-éclairage du panneau de commande diminue

Home Connect

Cet appareil est compatible Wi-Fi et peut être commandé à distance via un terminal mobile.

Remarque : Wi-Fi est une marque déposée de la société Wi-Fi Alliance.

Dans les cas suivants, l'appareil fonctionne comme un réfrigérateur sans connexion réseau et peut être manipulé manuellement à l'aide des éléments de commande :

- L'appareil n'est pas connecté à un réseau domestique.
- Le service Home Connect n'est pas disponible dans le pays où est installé l'appareil. Vous trouverez la liste des pays dans lesquels Home Connect est disponible sur www.home-connect.com.

Remarque : Respectez les consignes de sécurité figurant dans la présente notice d'utilisation. Assurez-vous qu'elles sont également respectées si vous utilisez l'appareil via l'application Home Connect alors que vous n'êtes pas à la maison. → "Consignes de sécurité importantes" à la page 20

Observez également les consignes dans l'application Home Connect.

Configurer Home Connect

Remarques

- Après la mise en marche de l'appareil, attendez au moins 2 minutes avant de configurer Home Connect. L'initialisation interne de l'appareil est alors terminée.
- Observez la fiche Home Connect disponible sous www.bosch-home.com parmi les notices à télécharger. Saisissez le numéro E de votre appareil dans le champ de recherche.

Lors de la première ouverture du menu, vous êtes guidé automatiquement à travers la configuration initiale. Suivez les instructions sur le panneau de commande. Vous trouverez des informations complémentaires dans les chapitres suivants.

Le menu **Home Connect** comprend les sous-menus suivants :

- Activer/désactiver le Wi-Fi
- Connecter avec l'appli
- Mise à jour du logiciel
- Supprimer les paramètres réseau

Configuration de la connexion au réseau domestique (WLAN)

Lors de la première ouverture du menu, vous êtes guidé automatiquement à travers la configuration initiale. Suivez les instructions sur le panneau de commande.

1. Installez l'application **Home Connect** sur votre terminal mobile.

2. Ouvrez le menu **Home Connect** sur le réfrigérateur.
3. Ouvrez l'application sur le terminal mobile.
4. Connectez-vous à l'application ou enregistrez-vous si vous ne disposez pas encore d'un accès.
5. Vérifiez si le routeur de votre réseau domestique comporte une fonction WPS pour la connexion automatique.
6. Si cette fonction est présente, lancez la connexion automatique au réseau avec et suivez les instructions sur le panneau de commande.
7. Lancez une connexion manuelle au réseau si cette fonction n'est pas présente, si vous avez un doute quant à sa présence ou en cas d'échec de la connexion automatique. Le réfrigérateur génère provisoirement son propre réseau auquel le terminal mobile est connecté.
8. Lancez la connexion manuelle au réseau dans l'application du terminal mobile.

Une fois la connexion établie entre le réfrigérateur et le terminal mobile, une connexion est établie entre le réfrigérateur et votre réseau domestique (Wi-Fi).

Remarque : En cas d'impossibilité d'établir la connexion, vérifiez la qualité de la réception.

Contrôler l'intensité du signal

L'intensité du signal est indiquée sur le panneau de commande. Le signal doit avoir une intensité minimale de 1 barre. La connexion peut être coupée si l'intensité du signal est trop faible.

Améliorer l'intensité du signal

- Rapprochez davantage le routeur du réfrigérateur.
- Assurez-vous que la connexion n'est pas perturbée par des murs qui font écran.
- Installez un répéteur pour amplifier le signal.

Connecter le réfrigérateur à l'application Home Connect

Avec ce menu, vous pouvez connecter votre réfrigérateur à des terminaux mobiles.

1. Installez l'application **Home Connect** sur votre terminal mobile et connectez ou enregistrez-vous.
2. Ouvrez le menu **Home Connect** sur le réfrigérateur.
3. Appuyez sur le point de menu **Connecter avec l'appli**.
4. Confirmez le message pour afficher le réfrigérateur dans l'application.
5. Ouvrez l'application et attendez que le réfrigérateur s'affiche. Confirmez la connexion entre l'application et le réfrigérateur en appuyant sur **Ajouter**. Si le réfrigérateur ne s'affiche pas automatiquement, cliquez dans l'application sur **Ajouter l'appareil** et suivez les instructions. Dès que votre réfrigérateur s'affiche, ajoutez-le avec **+**.
6. Suivez les instructions de l'application jusqu'à la fin de l'opération.

Installer une mise à jour du logiciel Home Connect

Le réfrigérateur vérifie régulièrement si des mises à jour du logiciel Home Connect sont disponibles.

Une fenêtre d'avis apparaît sur le panneau de commande dès qu'une mise à jour est disponible. Pour installer la mise à jour, appuyez sur **Installer maintenant**.

Repousser l'installation d'une mise à jour :

1. Ouvrez le menu **Home Connect**.
2. Appuyez sur **Mise à jour du logiciel**.

Remarque : Ce menu n'est visible que lorsqu'une mise à jour est disponible.


Une fenêtre d'avis apparaît.

3. Pour installer la mise à jour, appuyez sur **Installer maintenant**.

Accès au service à la clientèle

Lorsque vous contactez le service à la clientèle, celui-ci peut accéder à votre appareil et à son état avec votre consentement. Pour ce faire, votre appareil doit avoir été connecté au réseau domestique.

Vous trouverez davantage d'informations au sujet de l'accès service à la clientèle et de sa disponibilité dans votre pays sous www.home-connect.com, dans Aide&Soutien.

1. Contactez le service à la clientèle.
→ "Service à la clientèle" à la page 36
2. Confirmez le début de l'accès du service à la clientèle sur votre appareil dans l'application. Pendant l'accès du service à la clientèle, le symbole  apparaît sur le panneau de commande.
3. Dès que le service à la clientèle a collecté les informations nécessaires, il termine l'accès.

Remarque : Vous pouvez interrompre le diagnostic à distance de manière précoce en désactivant l'accès du service à la clientèle dans l'application Home Connect.

Supprimer les paramètres réseau

Si un problème se présente lors de la tentative d'établissement d'une connexion ou si vous souhaitez inscrire l'appareil dans un autre réseau domestique (WLAN), les réglages de Home Connect peuvent être réinitialisés.

1. Ouvrez le menu **Home Connect** sur le réfrigérateur.
2. Appuyez sur le point de menu **Réinitialiser les réglages**.
3. Confirmez le message pour supprimer les paramètres réseau.

Pour connecter ensuite de nouveau l'appareil au réseau domestique, refaites la configuration initiale.
→ "Configuration de la connexion au réseau domestique (WLAN)" à la page 30

Activer ou désactiver la connexion au réseau domestique

1. Ouvrez le menu **Home Connect** sur le réfrigérateur.

Remarque : Lors de la première ouverture du menu, vous êtes guidé automatiquement à travers la configuration initiale. Suivez les instructions sur le panneau de commande.

2. Choisissez **Désactiver le Wi-Fi**.
3. Pour lancer la désactivation, appuyez sur **Poursuivre**.
4. Une fois la connexion au réseau domestique interrompue, le message **Wi-Fi éteint** apparaît. Confirmer le message avec **OK**.

Remarque : Lorsque la connexion au réseau domestique est interrompue, vous ne pouvez plus commander votre électroménager avec votre appareil mobile.

Remarque sur la protection des données

Lors de la première connexion de votre appareil Home Connect à un réseau WLAN branché à Internet, votre appareil transmet les catégories de données suivantes au serveur Home Connect (premier enregistrement) :

- Code d'appareil univoque (constitué de clés d'appareil ainsi que de l'adresse MAC du module de communication Wi-Fi intégré).
- Le certificat de sécurité du module de communication Wi-Fi (pour la protection informatique de la connexion).
- La version actuelle du logiciel et du matériel de l'appareil ménager.
- L'état d'une précédente réinitialisation éventuelle des réglages d'usine.

Ce premier enregistrement prépare l'utilisation des fonctionnalités Home Connect et ne s'avère nécessaire qu'au moment où vous voulez utiliser les fonctions Home Connect pour la première fois.

Remarque : Veuillez noter que les fonctionnalités Home Connect ne sont utilisables qu'avec l'application Home Connect. Vous pouvez consulter les informations sur la protection des données dans l'application Home Connect.

Alarme

Alarme de porte

Si la porte de l'appareil reste ouverte pendant une période prolongée, l'alarme de porte s'allume (tonalité permanente).

- Fermer la porte.
L'alarme sonore s'éteint.

Compartiment réfrigérateur

Le compartiment réfrigérateur convient pour conserver la viande, la charcuterie, le poisson, les produits laitiers, les œufs, les plats précuisinés et les pâtisseries.

La température est réglable entre 36 °F (2 °C)... et 46 °F (8 °C).

Grâce au stockage au froid, vous pouvez aussi ranger des denrées très périssables à court et moyen terme. Plus la température choisie est basse, plus les processus enzymatiques et chimiques ainsi que la détérioration par des micro-organismes sont lents. Une température de 39 °F (4 °C) ou moins garantit un maintien au frais optimal ainsi que la sécurité des produits alimentaires stockés.

Consignes de rangement

Remarque : Évitez que les produits alimentaires entrent en contact avec la paroi arrière.

Cela gêne sinon la circulation de l'air et les aliments ou leurs emballages risquent de coller contre la paroi arrière.

- Rangez les produits alimentaires frais et intacts. Ils conserveront ainsi plus longtemps leur qualité et leur fraîcheur.
- Respectez la date de conservation minimum ou la date de consommation indiquée par le fabricant pour les produits tout prêts et liquides conditionnés.
- Pour préserver l'arôme, la teinte et la fraîcheur, rangez les produits alimentaires bien emballés ou couverts.
Ceci empêche en outre que certains aliments ne communiquent leur goût à d'autres et que les pièces en plastique changent anormalement de couleur.
- Attendez que les produits alimentaires chauds et les boissons aient refroidi avant de les mettre dans le compartiment réfrigérateur.

Tenez compte des différentes zones froides dans le compartiment réfrigérateur

L'air circulant dans le compartiment réfrigérateur fait que des zones différemment froides apparaissent.

Zone la plus froide

La zone la plus froide se trouve dans le compartiment intérieur, contre la paroi arrière et dans le compartiment froid.

Remarque : Rangez-y les aliments les plus délicats (par ex. le poisson, la charcuterie, la viande).

La zone la moins froide

La zone la moins froide se trouve complètement en haut, contre la porte.

Remarque : Rangez-y par ex. le fromage dur et le beurre. Le fromage peut continuer de développer son arôme et le beurre demeure tartinable.

Bac à légumes

Le bac à légumes est l'endroit optimal où ranger les fruits et légumes frais. Si l'air est très humide, les légumes à feuilles conservent plus longtemps leur fraîcheur. Les fruits et légumes requièrent, eux, une humidité un peu moins élevée.

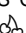

Remarques

- Pour préserver leur qualité et leur arôme, il est recommandé de ranger les fruits (par exemple les ananas, bananes, papayes, agrumes) et légumes (par exemple les aubergines, concombres, courgettes, poivrons, tomates et pommes de terre) qui craignent le froid hors de l'appareil à des températures comprises entre 8 °C /36 °F ...et 12 °C/46 °F.
- Selon la quantité et la nature des produits stockés, de l'eau pourrait se condenser dans le bac à légumes.
Essuyez l'eau condensée avec un essuie-tout sec.

Bac à légumes avec régulateur d'humidité

Le bac à légumes est l'endroit optimal où ranger les fruits et légumes frais. Le régulateur d'humidité et un joint spécial permettent d'ajuster l'humidité de l'air dans le bac à légumes. Les fruits et légumes frais se conservent ainsi jusqu'à deux fois plus longtemps qu'avec un mode de rangement conventionnel.

Vous pouvez ajuster l'humidité de l'air régnant dans le bac à légumes en fonction de la nature et de la quantité des produits à ranger :

- Fruits principalement et appareil très rempli – réglez une humidité de l'air moins élevée en plaçant le régulateur en position 
- Légumes principalement et appareil rempli de produits différents ou faiblement rempli – réglez une humidité de l'air plus élevée en plaçant le régulateur en position 

Remarques

- Pour préserver leur qualité et leur arôme, il est recommandé de ranger les fruits (par exemple les ananas, bananes, papayes, agrumes) et légumes (par exemple les aubergines, concombres, courgettes, poivrons, tomates et pommes de terre) qui craignent le froid hors de l'appareil à des températures comprises entre 46 °C (8 °C)... et 54 °F (12 °C).
- Selon la quantité et la nature des produits stockés, de l'eau pourrait se condenser dans le bac à légumes.
Retirez l'eau condensée avec un essuie-tout sec et ajustez l'humidité de l'air dans le bac à légumes via le régulateur d'humidité.

Compartiment froid

Les températures régnant dans le compartiment froid sont plus basses que dans le compartiment réfrigération. Des températures inférieures à 32 °F (0 °C) peuvent se manifester.

Idéal pour ranger le poisson, la viande et la charcuterie. Ne convient pas pour les salades, les légumes et les produits alimentaires qui craignent le froid.

Au besoin, ajustez la température qui règne dans le compartiment froid.

**Nettoyage****ATTENTION !**

ÉVITEZ D'ENDOMMAGER L'APPAREIL ET SES PIÈCES D'ÉQUIPEMENT.

- N'utilisez aucun produit de nettoyage ni aucun solvant contenant du sable, du chlorure ou de l'acide.
- N'utilisez jamais d'éponges abrasives ou susceptibles de rayer.
De la corrosion peut apparaître sur les surfaces métalliques.
- Ne nettoyez jamais les clayettes et les bacs au lave-vaisselle.
Ces pièces pourraient se déformer!

Nettoyer l'écran

Suite au changement de températures et à l'humidité de l'air, les éléments de commande peuvent s'embuer.

Aux fins du nettoyage, activez le verrouillage de nettoyage.

Utilisez un chiffon en microfibres pour le nettoyage.

Nettoyer le compartiment intérieur de l'appareil

Procédez comme suit :

1. **Appuyez sur l'interrupteur principal Marche / Arrêt.**
2. Sortez les produits alimentaires et rangez-les dans un endroit frais.
Si applicable : Déposez l'accumulateur de froid sur les produits alimentaires.
3. Ne nettoyez l'appareil qu'avec un chiffon doux, de l'eau tiède et du produit à vaisselle présentant un pH neutre.

**ATTENTION !**

Veillez à ce que l'eau de rinçage ne pénètre pas dans le système d'éclairage et qu'elle ne gagne pas la zone d'évaporation via l'orifice d'écoulement.

4. Essayez le joint de porte avec de l'eau claire et frottez soigneusement pour le sécher.
5. Raccordez à nouveau l'appareil, mettez-le sous tension et rangez les produits alimentaires.

Nettoyer l'équipement

Pour nettoyer, retirer les pièces variables de l'appareil.

→ "Équipement" à la page 28

Consignes d'entretien pour les surfaces en inox

Pour nettoyer les surfaces en inox, n'utilisez que des nettoyeurs et un linge spécialement conçus pour ce type de surface.

Pour obtenir un linge spécialement conçu pour les surfaces en inox, adressez-vous au service à la clientèle.

Afin de prévenir les marques à la surface de l'appareil, il faut essuyer la surface en inox dans la direction de sa structure.

Odeurs

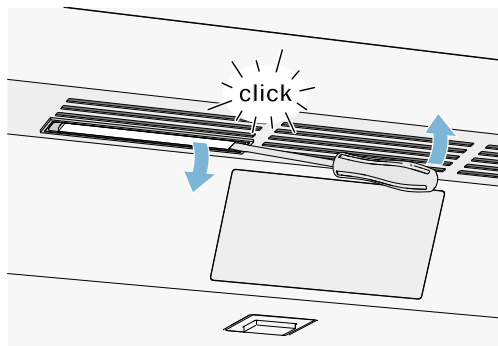
Si des odeurs désagréables se manifestent :

1. Mettez l'appareil hors tension par l'interrupteur principal.
2. Sortez tous les produits alimentaires de l'appareil.
3. Nettoyez le compartiment intérieur.
→ "Nettoyage" à la page 33
4. Nettoyez tous les emballages.
5. Pour empêcher l'apparition d'odeurs, emballez hermétiquement les produits dont émane une odeur forte.
6. Remettez l'appareil en marche.
7. Remplissez l'appareil de nouveau.
8. Au bout de 24 heures, vérifiez si les odeurs persistent.
9. Changez le filtre à odeurs.
→ "Changez le filtre à odeurs" à la page 34

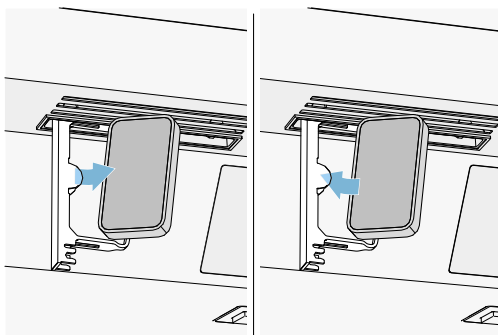
Changez le filtre à odeurs

Des filtres de rechange sont disponibles auprès de votre service à la clientèle.

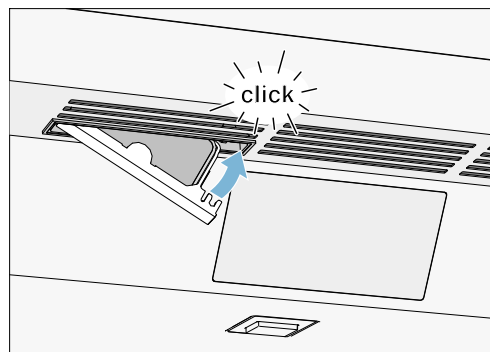
1. Ouvrez le compartiment de filtre avec un tournevis plat.



2. Extrayez le filtre à odeurs épuisé et mettez un filtre à odeurs neuf en place.



3. Fermez le compartiment de filtre.



Bruits

Bruits normaux

Bourdonnement : Un moteur tourne, par exemple le groupe frigorifique, un ventilateur.

Gargouillis, ronflement ou clapotis : Le fluide frigorigène circule dans les tuyaux.

Cliquetis : Le moteur, les interrupteurs ou les électrovannes s'allument / s'éteignent.

Craquement : Le dégivrage automatique est en cours.

Prévenir les bruits

L'appareil ne repose pas d'aplomb : Ajustez l'appareil à l'aide d'un niveau à bulle. Si nécessaire, insérez quelque chose sous l'appareil.

Des récipients, clayettes ou rangements vacillent ou se coincent : Vérifiez les pièces d'équipement amovibles et remplacez-les au besoin.

Éclairage

Votre appareil est équipé d'un éclairage par LED ne demandant pas d'entretien.

Seul le service à la clientèle ou des spécialistes agréés sont autorisés à réparer l'éclairage.

Que faire en de problème.

Avant d'appeler le service à la clientèle, veuillez vérifier si le tableau ci-dessous ne contient pas déjà la solution qu'il vous faut.

Appareil

La température réelle diffère fortement de la température réglée.

Éteindre l'appareil pendant 5 minutes.
 → "Arrêter et remiser l'appareil" à la page 29
 Si la température est trop élevée, vérifiez-la à nouveau au bout de quelques heures.
 Si la température est trop basse, vérifiez-la à nouveau le jour suivant.

Aucun voyant ne s'allume.

Fiche mâle incorrectement branchée dans la prise de courant.	Rebranchez la fiche de contact.
Fusible déclenché.	Inspecter les fusibles.
Le courant est en panne.	Vérifier la présence de courant.

Le groupe frigorifique s'enclenche de plus en plus souvent et longtemps.

L'appareil a été ouvert fréquemment.	N'ouvrez pas l'appareil inutilement.
Les orifices de ventilation sont bouchés.	Enlevez les obstacles.
L'appareil est rempli de grandes quantités de produits alimentaires frais.	Activez la super-réfrigération suffisamment à l'avance.

L'appareil ne réfrigère pas, l'affichage et l'éclairage sont allumés.

Le mode démonstration est activé.	Éteignez le mode Vacances. → "Réglages" à la page 27
-----------------------------------	---

Service à la clientèle

Si le problème persiste, veuillez vous adresser à notre service à la clientèle. Nous trouverons toujours une solution adaptée afin d'éviter entre autres des déplacements inutiles d'un technicien.

Vous trouverez ici ou dans le répertoire de service les coordonnées du service à la clientèle le plus proche.

Lors de l'appel, veuillez indiquer le numéro de série (E-Nr) et le numéro de fabrication (FD) que vous trouverez sur la plaque signalétique.


→ "Présentation de l'appareil" à la page 26

Faites confiance aux compétences du fabricant.

Vous vous assurerez ainsi que les réparations sont réalisées par des techniciens dûment formés qui disposent des pièces de rechange d'origine convenant à votre appareil électroménager.

Autodiagnostic de l'appareil

Votre appareil comprend un programme d'autodiagnostic affichant les défauts que votre service à la clientèle peut corriger.

1. Appuyez sur la touche  pour ouvrir le menu Paramètres.
2. Appuyez sur le point de menu **Autodiagnostic**.
3. Appuyez sur **Démarrer**.
L'autodiagnostic commence.
4. Toutes les erreurs constatées seront affichées à l'écran.
Suivez les instructions à l'écran le cas échéant.
5. L'appareil redémarre.
6. Pendant 10 secondes, l'écran indiquera que l'autodiagnostic est terminé.

Après l'autodiagnostic, l'appareil retourne en mode d'opération normal.

Commande de réparation et conseils en cas de problèmes

Vous trouverez les données de contact pour tous les pays dans l'annuaire de service à la clientèle ci-joint.

GB	0344 892 8979	Calls charged at local or mobile rate
IE	01450 2655	0.03 € per minute at peak. Off peak 0.0088 € per minute.
US	800 944 2904	toll-free

es Índice

	Indicaciones de seguridad importantes . . .	38
	Definiciones	38
	Acerca de este manual	38
	Introducción	38
	Peligro de explosión	38
	Riesgo de descarga eléctrica	38
	Peligro de lesiones	39
	Evitar riesgos para los niños y las personas vulnerables	39
	Daños materiales	39
	Peso	39
	Advertencias en virtud de la Proposición 65 del estado de California	39
	Uso previsto	40
	Protección del medio ambiente	40
	Embalaje	40
	Aparato usado	40
	Instalación y conexión	41
	Material entregado	41
	Datos técnicos	41
	Instalar el aparato	41
	Verificar el hueco de encastre	41
	Instalación side by side	41
	Ahorrar energía	42
	Antes del primer uso	43
	Conexión a la red eléctrica	43
	Familiarizándose con el aparato	44
	Aparato	44
	Controles	45
	Equipamiento	46
	Manejo del electrodoméstico	47
	Encender el aparato	47
	Apagar y cerrar el aparato	47
	Ajustar la temperatura	47
	Super frío	47
	Modo Eco	47
	Modo Sabbat	47
	Home Connect	48
	Configurar Home Connect	48
	Conectar el aparato refrigerador con la aplicación Home Connect	48
	Instalar la actualización de software de Home Connect	49
	Acceso del servicio al cliente	49
	Borrar los ajustes de red	49
	Activar o desactivar la conexión con la red doméstica	49
	Indicaciones sobre protección de datos	49
	Alarma	49
	Alarma de la puerta	49
	Compartimento refrigerador	50
	Puntos a observar al guardar los alimentos	50
	Prestar atención a las diferentes zonas de frío del compartimento refrigerador	50
	Contenedor para verduras	50
	Contenedor para verduras con regulador de humedad	50
	Compartimento fresco	51
	Limpiar	51
	Limpiar la pantalla	51
	Limpiar el interior del aparato	51
	Limpiar los accesorios	51
	Indicación para la conservación de superficies de acero inoxidable	51
	Olores	52
	Sustituir el filtro desodorizante	52
	Ruidos	52
	Ruidos normales	52
	Evitar ruidos	52
	Iluminación	52
	¿Qué hacer en caso de avería?	53
	Aparato	53
	Servicio al cliente	54
	Autoprueba del aparato	54
	Solicitud de reparación y asesoramiento en caso de averías	54



Indicaciones de seguridad importantes

¡LEER Y CONSERVAR ESTAS INDICACIONES!

Definiciones

⚠ **ADVERTENCIA**

Hacer caso omiso de esta advertencia puede causar lesiones graves o la muerte.

⚠ **¡ATENCIÓN!**

Hacer caso omiso de esta advertencia puede provocar lesiones leves o moderadas.

AVISO: Hacer caso omiso de esta advertencia puede causar daños al aparato.

Nota: Esto indica información y/o consejos importantes.

Acerca de este manual

- Lea y siga las instrucciones de uso y de montaje. Ellas contienen información importante sobre la instalación, uso y mantenimiento del aparato.
- El fabricante no se hace responsable, si usted ignora las indicaciones y advertencias de las instrucciones de uso y montaje.
- Guarde todas las instrucciones de uso y de montaje para futuras consultas y posteriores propietarios.

Introducción

- Este aparato cumple las normas específicas de seguridad para aparatos eléctricos.
- La estanqueidad del circuito de refrigeración viene verificada de fábrica.

Peligro de explosión

- Nunca use aparatos eléctricos en el interior del aparato (por ejemplo, calefactores o máquinas eléctricas para hacer hielo).
- No guarde productos que contengan gases propelentes o inflamables (por ejemplo, latas de aerosol), ni tampoco materiales explosivos en el aparato.
- Almacene el alcohol de alta graduación solamente en recipientes herméticos y en posición vertical.
- Con excepción de las indicaciones del fabricante, no adoptar medidas adicionales para acelerar la descongelación.

Riesgo de descarga eléctrica

Una incorrecta instalación o reparación puede implicar serios peligros para el usuario.

- Al instalar el aparato, debe prestarse atención a que el cable de conexión a la red eléctrica no quede atrapado ni se dañe.
- Si el cable de conexión a la red eléctrica está dañado: desenchufe el aparato de la toma de corriente inmediatamente.
- No utilice nunca tomas de corriente múltiples ni cables de prolongación o adaptadores.
- Antes de realizar el mantenimiento o modificaciones en el electrodoméstico, desconectar el enchufe o apagar el fusible.
Antes de limpiar el electrodoméstico, pulsar el **interruptor principal para conexión/desconexión** para apagarlo. Es posible cambiar de lugar las bandejas de cristal u otras piezas de equipamiento sin peligro mientras el aparato está conectado.
- Nunca corte o retire el tercer conductor (conductor a tierra) del cable de conexión a la red eléctrica.



Indicaciones de seguridad importantes

¡LEER Y CONSERVAR ESTAS INDICACIONES!

- Nunca utilice ningún tipo de limpiador de vapor para derretir la escarcha o limpiar el aparato. El vapor puede llegar a las piezas eléctricas y causar un cortocircuito.
- El aparato, cables y accesorios solamente deben ser reparados o cambiados por el fabricante, por el personal de Servicio de Atención al Cliente o por una persona con una cualificación similar.
- Utilice únicamente piezas originales del fabricante.

Peligro de lesiones

Los envases con bebidas carbonatadas pueden estallar.

Evitar riesgos para los niños y las personas vulnerables

En situación de riesgo se encuentran:

- niños,
- personas con sus facultades físicas, sensoriales o perceptivas mermadas,
- personas que carecen de los conocimientos necesarios relativos al manejo seguro del aparato.

Medidas:

- Nunca deje que los niños jueguen con el aparato.
- Asegurarse de que los niños y las personas vulnerables han entendido los peligros.
- Supervisar los niños durante las tareas de limpieza y mantenimiento.

Peligro de asfixia

- En caso de disponer la unidad de una cerradura, guardar la llave fuera del alcance de los niños.
- No dejar el embalaje o sus partes a los niños.

Daños materiales

Para evitar daños materiales:

- No pise, ni se apoye sobre el zócalo, cajones o puertas.
- Mantenga las piezas de plástico y juntas de goma limpias de aceites y grasas.
- Tirar del enchufe - no del cable de conexión.

Peso

El aparato es muy pesado. Realizar la instalación y el transporte del aparato siempre con un mínimo de 2 personas.
→ "Instalar el aparato" en la página 41

Advertencias en virtud de la Proposición 65 del estado de California

Este producto puede exponerlo a sustancias químicas, incluyendo cloruro de vinilo, que el estado de California sabe que provocan cáncer, defectos congénitos u otro daño reproductivo. Para obtener más información, ir a la página web:

www.P65Warnings.ca.gov

Uso previsto

Use este aparato

- sólo para refrigerar alimentos.
- solo para uso doméstico o en el entorno del hogar.
- solo de acuerdo a estas instrucciones de uso.

Este aparato está diseñado para ser utilizado hasta una altura máxima de 2,000 metros sobre el nivel del mar.

Protección del medio ambiente

Embalaje

Todos los materiales son ecológicos y reciclables:

- Deseche el embalaje conforme a la normativa medioambiental.
- Pregunte a su Distribuidor o en su Administración Pública acerca de los métodos de eliminación.



Eliminar el embalaje del aparato de acuerdo con las regulaciones para la protección del medio ambiente.



Elimine el embalaje de forma respetuosa con el medio ambiente.

Aparato usado

Mediante una eliminación respetuosa con el medio ambiente, se pueden recuperar materias primas valiosas.



ADVERTENCIA

¡LOS NIÑOS SE PUEDEN ENCERRAR Y ASFIXIAR EN EL APARATO!

Antes de eliminar el aparato usado:

- Desmontar las puertas.
- Dejar las bandejas y recipientes dentro del aparato, para dificultar que los niños se suban.
- Mantenga a los niños lejos de los aparatos usados.



¡ATENCIÓN!

SE PUEDEN ESCAPAR REFRIGERANTES Y GASES NOCIVOS.

No dañe las tuberías del circuito de refrigeración y aislamiento.

1. Desconecte el enchufe.
2. Corte el cable de conexión del aparato.
3. Eliminar el aparato correctamente.

Instalación y conexión

Material entregado

Verifique que las piezas no presentan daños ni desperfectos debidos al transporte tras desembalarlas.

Si tiene alguna queja deberá dirigirse al distribuidor en donde adquirió su electrodoméstico o a nuestro Servicio de Atención al Cliente.

→ "Servicio al cliente" en la página 54

El envío consta de los siguientes elementos:

- Aparato para instalación integrada
- Equipamiento (según modelo)
- Material de montaje
- Instrucciones de uso
- Instrucciones de instalación
- Cuaderno de Servicio al cliente
- Suplemento de la garantía
- Informaciones sobre el consumo de energía y los ruidos del aparato

Datos técnicos

El refrigerante utilizado, la capacidad útil y otros datos técnicos se encuentran en la placa de identificación.

→ "Familiarizándose con el aparato" en la página 44

Instalar el aparato

Lugar de instalación

El peso de su aparato puede ser de hasta 460 kg, dependiendo del modelo. El piso debe ser lo suficientemente estable, no debe ceder por el peso. Si es necesario, refuerce el piso.

Verificar el hueco de encastre

El hueco debe cumplir con los siguientes criterios:

- Se deben montar escuadras antivuelco
- Profundidad del hueco mínima de 24" (610 mm), para instalación a ras 25" (635 mm)
- rectangular
- estable - las paredes laterales y el techo deben tener un espesor de al menos 5/8" (16 mm) y estar bien sujetos al suelo o la pared
- Profundidad mínima de paredes laterales acortadas 4" (100 mm)

Instalación side by side

En caso de una instalación side by side favor de tener en cuenta las prescripciones contenidas en las instrucciones de montaje.

Si es necesaria una pared de separación entre los aparatos, ésta debe ser al menos de 5/8" (16 mm) de ancho.

Ahorrar energía

Si sigue estas instrucciones, el aparato consume menos corriente.

Nota: La disposición de las piezas de equipo no afectará el consumo de energía de aparato.

Instalar el aparato	
Proteger el aparato de la luz directa del sol.	Cuando la temperatura ambiente es más baja, el aparato enfría con menos frecuencia, consumiendo menos corriente.
Coloque el aparato a la mayor distancia posible de radiadores, estufas u otras fuentes de calor: Distancia mínima de 1 1/4" (3 cm) con estufas eléctricas o de gas. Distancia mínima de 1 1/4" (30 cm) con estufas de aceite o carbón. AVISO: Si esto no es posible, instale un aislamiento entre el dispositivo y la fuente de calor.	
Seleccione el lugar de instalación con una temperatura ambiente de aproximadamente 68 °F (20 °C).	
No cubrir u obstruir las aberturas de ventilación.	Cuando el aire caliente puede salir, el aparato enfría con menos frecuencia y por lo tanto consume menos corriente.
Ventilar diariamente la habitación.	
Usar el aparato	
Abrir la puerta del aparato solo brevemente.	El aire en el aparato no se calienta tanto. El aparato debe enfriar con menos frecuencia y, con ello, consumir menos corriente.
Transporte los alimentos en una hielera y colóquelos inmediatamente en el aparato.	
Dejar enfriar los alimentos o bebidas calientes hasta temperaturas ambientes antes de introducirlos en el aparato.	
Para utilizar el frío de los productos congelados descongele los productos congelados en el compartimento refrigerador.	
Siempre deje un poco de espacio entre los alimentos y el panel posterior.	El aire puede circular y la humedad del aire permanece constante.El aparato debe enfriar con menos frecuencia y, con ello, consumir menos corriente.
Envasar herméticamente los alimentos.	
No cubrir ni obstruir las aberturas de ventilación.	El aparato consume menos corriente cuando el aire caliente puede salir.
Aspirar las aberturas de ventilación una vez al año.	

Antes del primer uso

1. Retirar el material informativo y eliminar las cintas adhesivas, así como las láminas protectoras.
2. Limpiar el aparato.
→ "Limpiar" en la página 51

Conexión a la red eléctrica

¡ATENCIÓN!

No conecte el aparato a enchufes de ahorro de energía electrónicos.

Nota: El aparato se puede conectar a convertidores conmutados por red o de onda sinusoidal.

Los convertidores conmutados por red se emplean en las instalaciones fotovoltaicas conectadas directamente a la red pública de abastecimiento de corriente eléctrica. En instalaciones aisladas deberán emplearse los convertidores de onda sinusoidal. Las instalaciones aisladas, por ejemplo en barcos o refugios de montaña, no tienen conexión directa a la red pública de corriente eléctrica.

1. Después de instalar el aparato, esperar al menos 1 hora antes de conectarlo, para evitar daños en el compresor.
2. Asegúrese de que la toma de corriente se ha instalado correctamente y cumple con los requerimientos exigidos.

Requisitos para las tomas de corriente

Toma de corriente de	110 V ... 120 V
Conductor de protección	60 Hz
Fusible	10 A ... 16 A

Carga simultánea máxima

Aparato	6 A
---------	-----

3. Conecte el aparato a una toma de corriente cerca del aparato.
La toma de corriente debe estar fácilmente accesible después de la instalación del aparato.

ADVERTENCIA

¡PELIGRO DE DESCARGA ELÉCTRICA!

No utilice nunca tomas de corriente múltiples, ni cables de prolongación o adaptadores.

El aparato debe estar conectado a tierra adecuadamente.

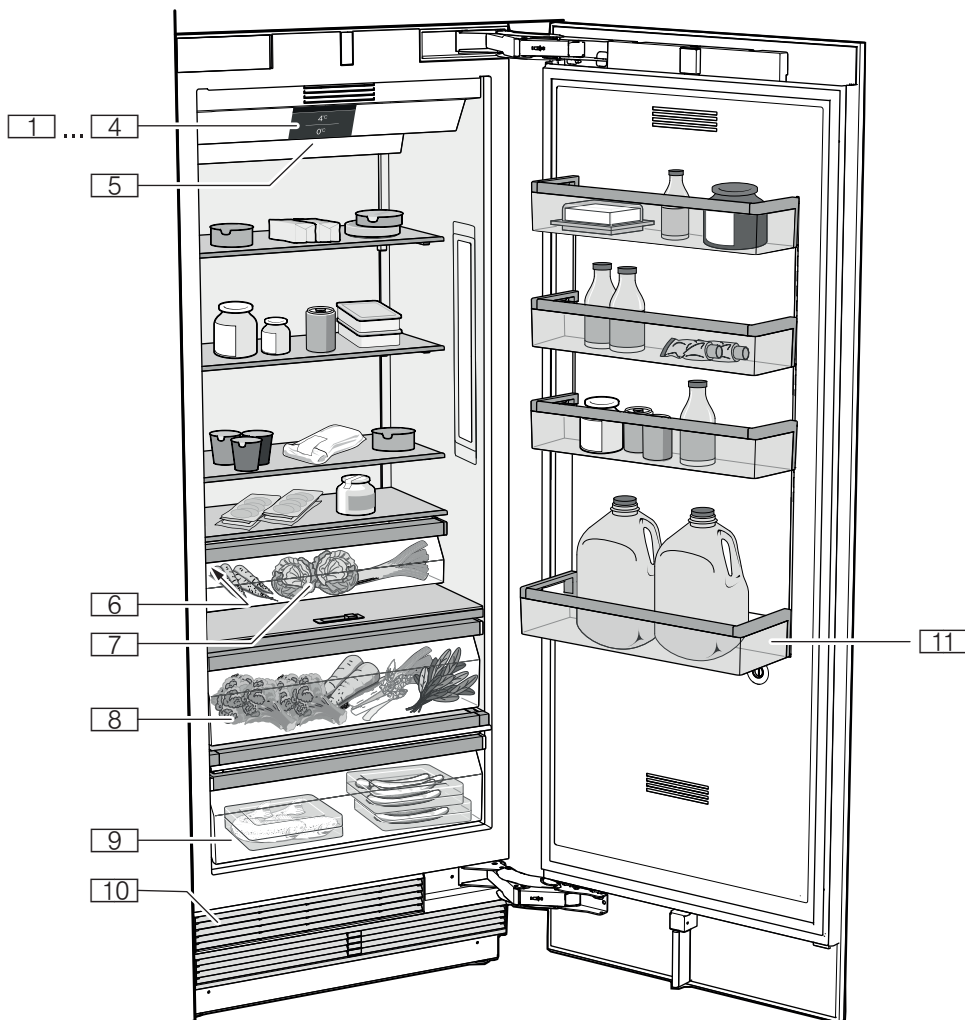
Nunca corte o retire el tercer conductor (conductor a tierra) del cable de conexión a la red eléctrica.

ADVERTENCIA

¡PELIGRO DE DESCARGA ELÉCTRICA!

Si la longitud del cable de conexión a la red eléctrica no es suficiente, no utilice nunca tomas de corriente múltiples o cables de prolongación. Contactar al servicio al cliente para mayor información.

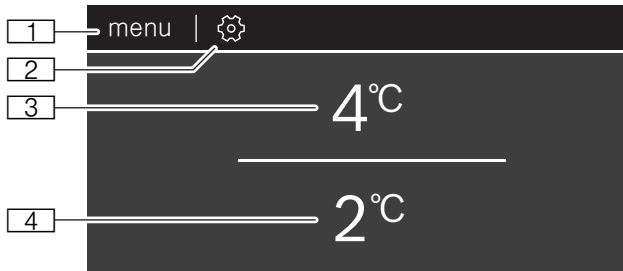
Familiarizándose con el aparato




Aparato

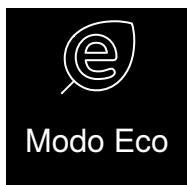
- 1 ... 4 Controles
- 5 Interruptor principal Encendido/
Apagado
- 6 Placa de características
- 7 Contenedor para verduras
- 8 Contenedor para verduras con
regulador de humedad
- 9 Cajón fresco
- 10 Abertura de ventilación
- 11 Estante para guardar botellas
grandes

Controles



- 1 Tecla **menu**
Abre la selección de modo de funcionamiento.
- 2 Tecla 
Abre el menú **Ajustes**.
→ "Ajustes" en la página 45
- 3 Indicación de la temperatura del compartimento refrigerador.
Muestra la temperatura programada en °C/
°F.
- 4 Indicación de la temperatura del compartimento fresco
Muestra la temperatura programada en °C/
°F.

Selección modo de funcionamiento



Modo Eco

Modo Eco

Conmutar el aparato al funcionamiento de ahorro de energía.
→ "Modo Eco" en la página 47



Modo Vacaciones

Modo Sabbat

Con este modo se desconectan todas las funciones que no son necesarias para que también pueda usar el aparato en Sabbat.
→ "Modo Sabbat" en la página 47

Ajustes

Para abrir los ajustes pulsar .



Idioma

Modifica el idioma de la pantalla.



Home Connect

Conecta el aparato refrigerador con su dispositivo móvil.

→ "Home Connect" en la página 48



Tonos

Ajusta el volumen de los tonos de las teclas y de la señal acústica.



Brillo de la pantalla

Regula el brillo de la pantalla.



Unidad de temperatura

Selecciona la unidad de temperatura °C/°F.



Ajustes de fábrica

Se restablecen los ajustes del aparato al estado de suministro.



Autocomprobación

Inicia el análisis de errores en su aparato.



Modo Demo

Nota: En el Modo Demo no almacenar alimentos, el aparato permanecerá a temperatura ambiente.

La función de refrigeración del aparato se apaga. Todas las demás funciones pueden seguir utilizándose.

Tras conectar el aparato esta opción de menú está visible durante 3 minutos. Para activar o desactivar el Modo Demo más tarde, desconecte y vuelva a conectar el aparato. El modo vuelve a estar visible durante 3 minutos.

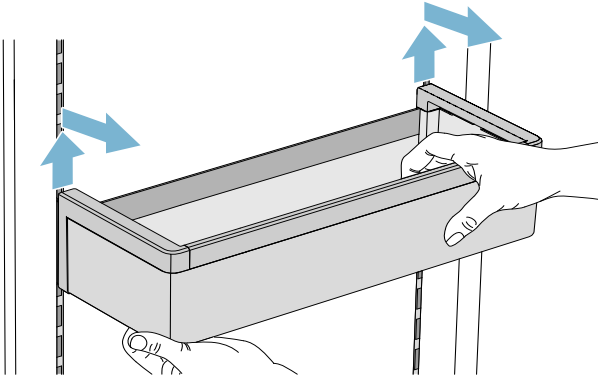
Equipamiento

(no disponible en todos los modelos)

Estantes

Puede sacar los estantes y variar su altura:

1. Levantar el estante y sacarlo.

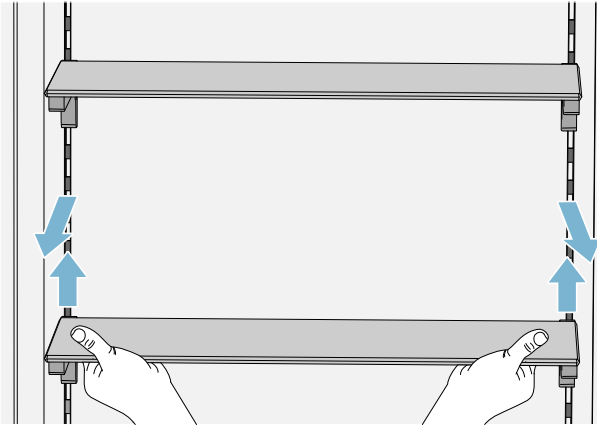


2. Al colocarlo, inserte los ganchos en la parte posterior del estante a la misma altura, de modo que el estante quede recto.

Nota: Coloque el estante con cuidado, para no rayar en el aparato.

Bandeja

Puede sacar y variar la bandeja:



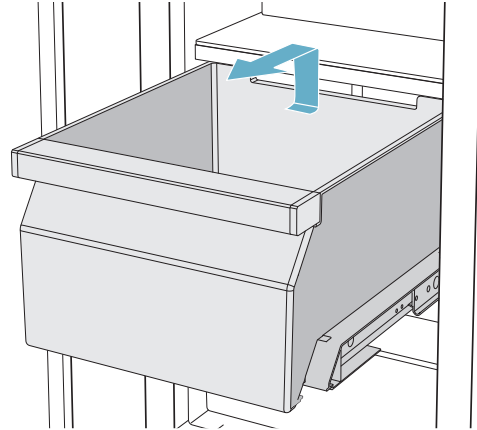
1. Levantar la bandeja y sacarla.
2. Al colocarla, inserte los ganchos en la parte posterior de la bandeja a la misma altura, de modo que la bandeja quede recta.

Nota: Coloque la bandeja con cuidado, para no rayar en el aparato.

recipientes

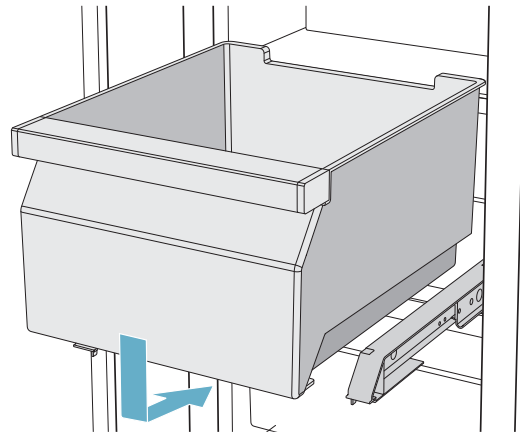
Para retirar el recipiente:

- Presione el recipiente hacia atrás,
- Levante el recipiente por detrás y extráigalo.



Para colocar el recipiente:

- Extraiga completamente los carriles telescópicos
- Coloque el recipiente en los carriles telescópicos y empújelo en el aparato hasta que encaste.





Manejo del electrodoméstico

Encender el aparato

1. **Pulse el interruptor principal de encendido/apagado.**
El aparato comienza a enfriar, y la iluminación se enciende cuando la puerta está abierta.
2. Ajustar la temperatura deseada.
→ "Ajustar la temperatura" en la página 47

Advertencias relativas al funcionamiento del aparato

- Después de encender el aparato pueden pasar varias horas hasta que se alcance la temperatura seleccionada. No introducir alimentos en el aparato antes de alcanzar las temperaturas seleccionadas.
- Los lados frontales del compartimento se calientan en parte ligeramente. Esto evita la condensación en la zona de la junta de la puerta.

Apagar y cerrar el aparato

Apagar el aparato

- Pulse el **interruptor principal de encendido/apagado.**
El aparato deja de enfriar.

Desconectar el aparato

Cuando no utilice el aparato por un período prolongado:

1. Sacar los alimentos.
2. Pulse el **interruptor principal de encendido/apagado.**
El aparato deja de enfriar.
3. Desconectar el enchufe o apagar el fusible.
4. Dejar el aparato abierto.

Ajustar la temperatura

Temperatura recomendada

Compartimento refrigerador: +4 °C / +39 °F

Compartimento fresco: +1 °C / +34 °F

Ajustar la temperatura del compartimento refrigerador

1. Seleccionar el compartimento pulsando brevemente el indicador de temperatura.
2. Ajustar el indicador de temperatura con el valor deseado.
3. Regresar a la pantalla principal con la tecla ⏪.
En caso de que no pulse la tecla, el aparato guarda el ajuste y después de algunos segundos regresa automáticamente a la pantalla principal.

Super frío

Mediante esta función se enfría el compartimento refrigerador hasta alcanzar la temperatura más baja posible.

- Conectar la función de super frío, p. ej.:
- Antes de introducir grandes cantidades de alimentos.
 - Para enfriar bebidas rápidamente.

Nota: Si está activada la función de super frío, el nivel sonoro del aparato puede aumentar.

Después de aproximadamente 6 horas, el aparato vuelve a funcionamiento normal.

Encender o apagar la función súper frío

1. Seleccionar el compartimento refrigerador pulsando brevemente el indicador de temperatura.
2. Pulsar la tecla ✱.
Al encenderse la función, aparece una ventana emergente en la que se explica dicha función.
3. Pulsar **Continuar.**
La ventana emergente se cierra y se regresa a la pantalla principal.

Nota: Si ha configurado la opción de que la ventana emergente no vuelva a aparecer, puede regresar a la pantalla principal con la tecla ⏪. En caso de que no pulse la tecla, el aparato guarda el ajuste y después de algunos segundos regresa automáticamente a la pantalla principal.

Modo Eco

Con el Modo Eco se conmuta el aparato al funcionamiento de ahorro de energía.

El aparato ajusta automáticamente las siguientes temperaturas:

- Compartimento frigorífico: +43 °F (6 °C)
- Compartimento fresco: +34 °F (1 °C)

Modo Sabbat

Con este modo se desconectan todas las funciones que no son necesarias para que también pueda usar el aparato en Sabbat.

Si el Modo Sabbat está activado, el aparato también puede utilizarse en Sabbat.

- El tiempo puede ajustarse de 1 a 96 horas
- Después de concluido el tiempo programado, el aparato vuelve al funcionamiento normal.
- Para terminar el Modo Sabbat antes de que concluye el tiempo programado, toque la pantalla y pulse **Apagar.**

El aparato detiene lo siguiente:

- Señales acústicas
- Iluminación interior
- Mensajes del panel
- Se reduce la luz de fondo del panel

Home Connect

Este aparato funciona con Wi-Fi y puede controlarse de forma remota a través de un dispositivo móvil.

Nota: Wi-Fi es una marca registrada de Wi-Fi Alliance.

El aparato funciona, en los siguientes casos, como un aparato para refrigeración sin conexión a la red doméstica y se puede seguir manejando manualmente a través de los mandos:

- El aparato no está conectado a una red doméstica.
- El servicio Home Connect no se ofrece en el país en el que está instalado el aparato. Encontrará una lista de los países en los que se ofrece Home Connect en www.home-connect.com.

Nota: Tenga en cuenta las indicaciones de seguridad de este manual. Asegúrese de respetarlas también cuando utiliza el aparato mediante la aplicación Home Connect desde fuera de casa.

→ "Indicaciones de seguridad importantes" en la página 38

Tenga en cuenta también las instrucciones de la aplicación Home Connect.

Configurar Home Connect

Notas

- Después de conectar el aparato, espere al menos 2 minutos antes de configurar Home Connect. Solo entonces concluye la inicialización interna del aparato.
- Tenga en cuenta la hoja adjunta de Home Connect que está disponible para su descarga en www.bosch-home.com en la sección de las instrucciones. Para ello, introduzca el número de producto (E-Nr.) de su aparato en el cuadro de búsqueda.

Al abrir el menú por primera vez, usted será guiado automáticamente a través de la configuración inicial. Siga las instrucciones del panel de mando. En los siguientes capítulos encontrará mayor información.

En el menú **Home Connect** encuentra los siguientes submenús:

- Activar y desactivar Wi-Fi
- Conectar con la aplicación
- Actualización de software
- Borrar los ajustes de red

Configuración de la conexión con la red doméstica (WLAN)

Al abrir el menú por primera vez, usted será guiado automáticamente a través de la configuración inicial. Siga las instrucciones del panel de mando.

1. Instalar la aplicación **Home Connect** en su dispositivo móvil.
2. En el aparato refrigerador abrir el menú **Home Connect**.
3. Abrir la aplicación en el dispositivo móvil.

4. Iniciar sesión en la aplicación o registrarse si todavía no se ha creado un acceso.
5. Comprobar en el router de la red doméstica si existe una función WPS para la conexión automática.
6. Si dicha función está disponible, iniciar la conexión automática a la red y seguir las instrucciones del panel de mando.
7. Cuando la función mencionada no esté disponible o no esté seguro de ello, o bien cuando haya fallado la conexión automática a la red, iniciar la conexión manual a la red. El aparato refrigerador genera temporalmente una red propia a la que se conecta el dispositivo móvil.
8. Iniciar la conexión manual a la red en la aplicación del dispositivo móvil.

Tan pronto como el aparato refrigerador esté conectado al dispositivo móvil, se establecerá una conexión entre el aparato refrigerador y la red doméstica (Wi-Fi).

Nota: Si no es posible establecer la conexión, compruebe si hay suficiente recepción.

Comprobar la intensidad de la señal

La intensidad de la señal se muestra en el panel de mando. El valor de intensidad de la señal debería ser como mínimo de 1 barra adicionalmente al punto. Si la intensidad de la señal es demasiado baja, la conexión puede interrumpirse temporalmente.

Mejorar la intensidad de señal

- Coloque el router más cerca del aparato refrigerador.
- Asegúrese de que la conexión no está interrumpida por paredes de apantallamiento.
- Instale un repetidor para intensificar la señal.

Conectar el aparato refrigerador con la aplicación Home Connect

Con este menú usted puede conectar su aparato refrigerador con otros dispositivos móviles.

1. Instalar la aplicación **Home Connect** en el dispositivo móvil y registrarse o iniciar sesión.
2. En el aparato refrigerador abrir el menú **Home Connect**.
3. Pulsar la opción de menú **Conectar con la aplicación**.
4. Confirme el mensaje para mostrar el aparato refrigerador en la aplicación.
5. Abrir la aplicación y esperar hasta que se muestre el aparato refrigerador.

Con **Añadir** confirmar la conexión entre la aplicación y el aparato refrigerador.

Si el aparato refrigerador no se muestra automáticamente, hacer clic en la aplicación en **Añadir aparato** y seguir las instrucciones. En cuanto se muestre el aparato refrigerador, añadirlo con **+**.

- Seguir las instrucciones de la aplicación hasta que el proceso haya finalizado.

Instalar la actualización de software de Home Connect

El aparato refrigerador comprueba a intervalos regulares si existen actualizaciones para el software de Home Connect.

Cuando hay una actualización disponible, aparece una ventana de indicación en el panel de mando. Para instalar la actualización pulsar **Instalar ahora**.

Instalar la actualización más tarde:

- Abrir el menú **Home Connect**.
- Pulsar **Actualización de software**.

Nota: Este menú solo es visible cuando hay una actualización disponible.


Aparece una ventana de indicación.

- Para instalar la actualización pulsar **Instalar ahora**.

Acceso del servicio al cliente

Cuando se ponga en contacto con el servicio al cliente, este podrá acceder a su aparato y registrar su estado con su previo consentimiento. Para ello, el aparato debe estar conectado a la red doméstica.

Puede encontrar más información sobre el acceso de servicio al cliente y la disponibilidad del mismo en su país en www.home-connect.com, en la sección Ayuda y asistencia.

- Contactar al servicio al cliente.
→ *"Servicio al cliente" en la página 54*
- Confirmar en la aplicación el inicio del acceso de servicio al cliente.
Durante el acceso de servicio al cliente aparece el símbolo  en el panel de mando.
- En cuanto el servicio al cliente haya reunido la información necesaria, se desconectará de su aparato.

Nota: Usted puede interrumpir el diagnóstico remoto antes de tiempo desconectando el acceso de servicio al cliente en la aplicación Home Connect.

Borrar los ajustes de red

Si se presentan problemas al intentar establecer la conexión o si se desea registrar el aparato en otra red doméstica (WLAN), se pueden restablecer los ajustes de Home Connect.

- En el aparato refrigerador abrir el menú **Home Connect**.
- Pulsar la opción de menú **Restablecer los ajustes**.
- Confirme el mensaje para borrar los ajustes de red.

Para volver a conectar el aparato con la red doméstica, ejecute de nuevo la configuración inicial.

→ *"Configuración de la conexión con la red doméstica (WLAN)" en la página 48*

Activar o desactivar la conexión con la red doméstica

- En el aparato refrigerador abrir el menú **Home Connect**.

Nota: Al abrir el menú por primera vez, usted será guiado automáticamente a través de la configuración inicial. Siga las instrucciones del panel de mando.

- Seleccionar **Desconectar Wi-Fi**.
- Pulsar **Continuar** para iniciar la desconexión.
- Tan pronto como se desactiva la conexión con la red doméstica se muestra el mensaje **Wi-Fi desconectado**. Confirmar el mensaje pulsando **Ok**.

Nota: Mientras la conexión con la red doméstica esté desactivada, usted no podrá manejar su aparato a través del dispositivo móvil.

Indicaciones sobre protección de datos

Al conectar por primera vez su aparato Home Connect a una red WLAN asociada a Internet, el aparato transmite las siguientes categorías de datos al servidor de Home Connect (registro inicial):

- Identificación única del aparato (compuesta por la clave del aparato y la dirección MAC del módulo de comunicación wifi utilizado).
- Certificado de seguridad del módulo de comunicación Wi-Fi (para la protección técnica de la información de la conexión).
- Las versiones actuales del software y el hardware del electrodoméstico.
- El estado de un posible restablecimiento previo a los ajustes de fábrica iniciales.

El registro inicial prepara la utilización de las funciones Home Connect y solo es necesario la primera vez que se vayan a utilizar las funciones Home Connect.

Nota: Se debe tener en cuenta que las funciones Home Connect solo se pueden utilizar en conexión con la aplicación Home Connect. Se puede consultar la información relativa a la protección de datos en la aplicación Home Connect.



Alarma de la puerta

Si la puerta del aparato permanece abierta durante un tiempo prolongado, se activa la alarma de la puerta (sonido constante).

- Cerrar la puerta.
La señal acústica se desactiva.

Compartimento refrigerador

El compartimento refrigerador es el lugar ideal para guardar carne, embutido, pescado, productos lácteos, huevos y platos cocinados, así como productos de panadería.

La temperatura se puede ajustar desde 36 °F (2 °C) hasta 46 °F (8 °C).

Con la conservación en frío también puede conservar a corto y medio plazo alimentos perecederos. Cuanto más baja sea la temperatura elegida, más lentamente se desarrollarán los procesos enzimáticos, químicos y de deterioro de los alimentos causados por microorganismos. Una temperatura de +39 °F (+4 °C) o más baja garantiza la frescura y conservación óptimas de los alimentos guardados.

Puntos a observar al guardar los alimentos

Nota: Evite el contacto entre los alimentos y el panel posterior.

De lo contrario la libre circulación del aire quedará afectada y los alimentos o envases podrían quedar adheridos al panel posterior.

- Guarde alimentos frescos y en perfectas condiciones.
De este modo conservarán su calidad y frescura durante más tiempo.
- En el caso de productos precocinados o alimentos envasados deberán observarse las fechas de caducidad o de consumo señaladas por el fabricante.
- Para conservar el aroma, color y frescura, guarde los alimentos bien envueltos o cubiertos.
De esta manera se evita la mezcla de olores y sabores, así como la descoloración de las piezas de plástico.
- Dejar enfriar los alimentos o bebidas calientes hasta una temperatura ambiente antes de introducirlos en el aparato.

Prestar atención a las diferentes zonas de frío del compartimento refrigerador

En función de la circulación del aire en el interior del compartimento refrigerador, se crean diferentes zonas de frío.

La zona más fría

La zona más fría se encuentra en la parte interior del panel posterior y en el compartimento fresco.

Nota: Guarde los alimentos más delicados (por ejemplo, pescado, embutidos, carne) en la zona más fría.

La zona menos fría

La zona menos fría se encuentra en la parte superior de la cara interior de la puerta.

Nota: Guarde en la zona menos fría, por ejemplo, el queso curado y la mantequilla. De esta manera el queso conservará su aroma y la mantequilla se podrá untar en el pan fácilmente.

Contenedor para verduras

El contenedor para verduras es el lugar ideal para guardar frutas y verduras frescas. Gracias a la elevada humedad del aire, las verduras de hojas permanecen frescas durante más tiempo. Las demás frutas y verduras deberán guardarse en un entorno con menor humedad del aire.



Notas

- Las frutas (por ejemplo, piñas, plátanos, papayas y cítricos) y las verduras (berenjenas, pepinos, calabacines, pimientos, tomates y patatas) sensibles al frío deberán guardarse, a fin de conservar óptimamente su calidad y sabor, fuera del aparato a una temperatura de aprox. +8 °C / 36 °F ... +12 °C/+46°F.
- Dependiendo de la cantidad y el tipo de productos almacenados, se puede formar agua de condensación en el contenedor para verduras.
Eliminar el agua de condensación con un paño seco.

Contenedor para verduras con regulador de humedad

El contenedor para verduras es el lugar ideal para guardar frutas y verduras frescas. En el contenedor para verduras, la humedad del aire se puede ajustar a través de un mando regulador y un cierre especial. De esta manera se pueden guardar la fruta y verdura hasta dos veces más tiempo que en caso de almacenamiento convencional.

La humedad del aire en el contenedor para verduras se puede ajustar de acuerdo con el tipo y la cantidad de mercancía que se vaya a almacenar:

- preferentemente para guardar fruta, así como en caso de existir una gran cantidad de alimentos frescos – ajustar un menor nivel de humedad con la posición del regulador 
- preferentemente para guardar verdura, así como en caso de carga mixta o existir una pequeña cantidad de alimentos frescos – ajustar un mayor nivel de humedad con la posición del regulador 

Notas

- Guarde las frutas sensibles al frío (p. ej. piñas, plátanos, papayas y cítricos) y las verduras (p. ej. berenjenas, pepinos, calabacines, pimientos, tomates y papas) fuera del aparato a una temperatura de aprox. +46 °F (+8 °C) ... +54 °F (+12 °C) 54a fin de conservar óptimamente su calidad y sabor.
- Dependiendo de la cantidad y el tipo de productos almacenados, se puede formar agua de condensación en el contenedor para verduras.
Retire el agua de la condensación con un paño seco y ajuste la humedad del aire en el contenedor para verduras a través del regulador de humedad.

Compartimento fresco

El compartimento fresco tiene temperaturas más bajas que el compartimento refrigerador. Pueden registrarse temperaturas inferiores a +32 °F (0 °C).

El compartimento es ideal para guardar el pescado, la carne y el embutido. No es apropiado para guardar lechugas, verduras ni alimentos sensibles al frío.

Puede ajustar la temperatura del compartimento fresco.

**Limpiar****¡ATENCIÓN!**

EVITAR DAÑOS AL APARATO Y PIEZAS DEL EQUIPAMIENTO.

- No utilizar detergentes y disolventes que contengan arena, cloro o ácidos.
- No emplear esponjas abrasivas.
En las superficies metálicas podría producirse corrosión.
- No limpiar nunca las bandejas y recipientes en el lavavajillas.
Las piezas pueden deformarse.

Limpiar la pantalla

Debido al cambio de temperaturas y de la humedad del aire podrían empañarse los controles.

Para la limpieza, active el bloqueo para limpieza.

Para la limpieza utilice un paño de microfibra limpio.

Limpiar el interior del aparato

Proceder como se indica a continuación:

1. Pulse el **interruptor principal de encendido/apagado**.
2. Retirar los alimentos y guardarlos en un lugar frío.
Cuando estén disponibles: Coloque los acumuladores de frío sobre los alimentos.
3. Limpie el aparato con un paño suave, agua templada y un poco de jabón líquido de pH neutro.

**¡ATENCIÓN!**

El agua de lavado no debe entrar en la iluminación o por el agujero de drenaje a la zona de evaporación.

4. Limpie la junta de la puerta con agua limpia y séquela bien.
5. Vuelva a encender el aparato e introduzca los alimentos.

Limpiar los accesorios

Para la limpieza, extraer los elementos variables del aparato.

→ "Equipamiento" en la página 46

Indicación para la conservación de superficies de acero inoxidable

Para la conservación y limpieza de las superficies de acero inoxidable sólo utilice productos de limpieza apropiados para acero inoxidable y un paño de limpieza para acero inoxidable.

Puede adquirir un paño de limpieza apropiado para acero inoxidable a través del servicio posventa.

La conservación de la superficie de acero inoxidable debe realizarse en dirección de la estructura a fin de evitar arañazos visibles.

Olores

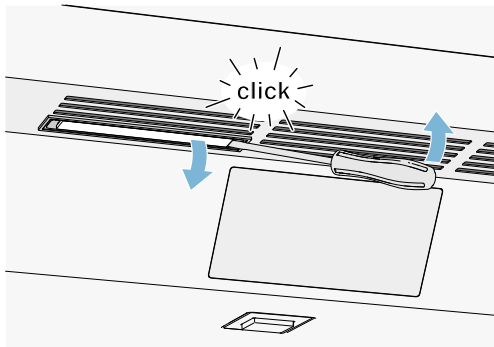
En caso de detectar olores desagradables:

1. Conectar y desconectar el aparato a través del interruptor principal.
2. Retirar todos los alimentos del aparato.
3. Limpiar el interior del aparato.
→ "Limpiar" en la página 51
4. Limpiar todos los embalajes.
5. Envasar herméticamente los alimentos de olor fuerte para evitar la formación de olores.
6. Encender el aparato de nuevo.
7. Acomodar los alimentos.
8. Verificar después de 24 horas si hay olores de nuevo.
9. Sustituir el filtro desodorizante.
→ "Sustituir el filtro desodorizante" en la página 52

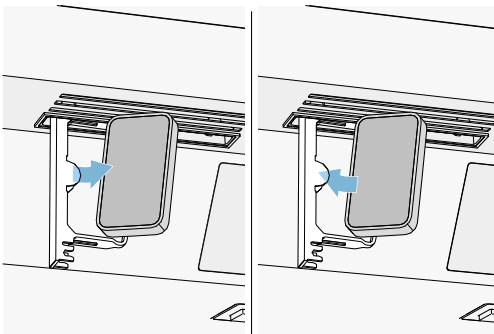
Sustituir el filtro desodorizante

Los filtros de repuesto se pueden adquirir en el Servicio Postventa Oficial.

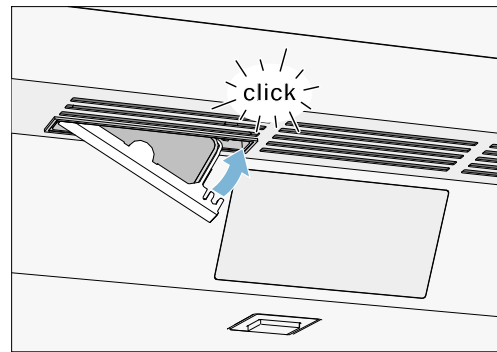
1. Abrir el soporte del filtro con un destornillador de ranura.



2. Retirar el filtro desodorizante agotado y sustituirlo por uno nuevo.



3. Cerrar el soporte del filtro.



Ruidos

Ruidos normales

Zumbido: Un motor está en marcha, por ejemplo, unidad de refrigeración, ventilador.

Burbujear, zumbar o borbotear: el refrigerante fluye a través de los tubos.

Cliquear: motor, interruptor o válvulas de solenoide, un interruptor de encendido o apagado.

Crujir: Se está realizando la descongelación automática.

Evitar ruidos

El aparato está desnivelado: Nivelar el aparato con ayuda de un nivel de burbuja. Calzar el aparato en caso necesario.

Los recipientes, bandejas o estantes vibran o están atascados: Verificar los elementos desmontables y, en caso necesario, colocarlos nuevamente.

Iluminación

Su aparato está equipado con una iluminación LED exenta de mantenimiento.

Sólo el Servicio al cliente o el personal autorizado puede reparar la iluminación.

¿Qué hacer en caso de avería?

Antes de llamar al Servicio al cliente, intente solucionar el problema, utilizando esta tabla.

Aparato

La temperatura difiere considerablemente del valor ajustado.	
	<p>Apagar el aparato durante 5 minutos. → "Apagar y cerrar el aparato" en la página 47</p> <p>Si la temperatura es demasiado alta, vuelva a comprobarla después de unas pocas horas.</p> <p>Si la temperatura es demasiado baja, vuelva a comprobarla al día siguiente.</p>
No se ilumina ninguna indicación.	
El enchufe no está correctamente insertado.	Conectar el enchufe.
El fusible se fundió.	Compruebe los fusibles.
Se interrumpió el suministro eléctrico.	Verificar si hay corriente.
El refrigerador se enciende con más frecuencia y durante más tiempo.	
El aparato se ha abierto con demasiada frecuencia.	No abrir la puerta del aparato innecesariamente.
Las rejillas de ventilación están cubiertas.	Eliminar la causa de la obstrucción.
Se colocaron grandes cantidades de alimentos frescos en el interior.	Activar con suficiente tiempo de antelación la función super frío.
El aparato no enfría, se iluminan la pantalla y la iluminación.	
El Modo Demo está activado.	<p>Desactive el Modo Demo. → "Ajustes" en la página 45</p>

Servicio al cliente

En caso de no poder reparar la avería, póngase en contacto con el Servicio al cliente. Siempre encontramos una solución adecuada, y también evitamos visitas innecesarias de los técnicos.

Los datos de contacto de los centros de servicio más cercanos se pueden encontrar aquí o en el directorio adjunto de servicios al cliente.


Al llamar por favor indique el número de producto (E-Nr.) y el número de fabricación (FD) de su unidad, que se encuentran en la placa de características del aparato.

→ "Familiarizándose con el aparato" en la página 44

Confíe en la experiencia del fabricante. De este modo, estará seguro de que la reparación es realizada por personal técnico especializado, que además, dispone de las piezas de repuesto originales para su electrodoméstico.

Autoprueba del aparato

Su aparato dispone de un programa automático de autoprueba que le indica las fallas, que su Servicio al cliente puede solucionar.

1. Pulsar la tecla  para abrir los ajustes.
2. Pulsar la opción de menú **Autocomprobación**.
3. Pulsar **Iniciar**.
Arranca el programa de autocomprobación.
4. Si existen errores, estos se mostrarán.
En ese caso, siga las instrucciones de la pantalla.
5. El aparato se reinicia.
6. Durante 10 segundos aparece el mensaje de que la autocomprobación se ha completado.

Después de finalizar la autocomprobación, el aparato vuelve al modo de funcionamiento normal.

Solicitud de reparación y asesoramiento en caso de averías

Los datos de contacto de todos los países los encontrará en el directorio adjunto de Servicio al cliente.

GB	0344 892 8979	Calls charged at local or mobile rate
IE	01450 2655	0.03 € per minute at peak. Off peak 0.0088 € per minute.
US	800 944 2904	toll-free



BSH Home Appliances Corporation

1901 Main Street, Suite 600,
Irvine CA 92614, USA

www.bosch-home.com



800123135 (9809)
en-us, fr-ca, es-mx