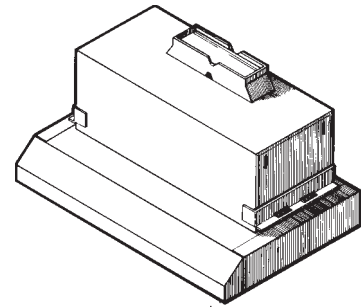


# WOOD HOOD KIT



**A hard working hood that won't interrupt the natural beauty of your wood cabinets.**

### FEATURES

- Dual centrifugal blower
- Fire retardant, all metal insert
- Infinite speed control
- Energy efficient 24 inch fluorescent light (bulb not included)
- Built-in damper/duct connector - vertical or horizontal discharge
- Exclusive Heat Sentry™ — automatically turns blower on to high speed when excess cooking heat is detected
- Fits 30" wood hoods with interiors 28-1/4" to 28-7/8"
- 36" installations require addition of liners 97009790, sold separately, and fits hood interior 34-1/4" to 34-7/8".
- Installations up to 42" require additional metal liners/fillers. (See installation manual.)
- Uses Model 103123 Rough-in Kit

### SPECIFICATIONS

VOLTS	AMPS	RPM	SONES		VERT. & HOR. * CFM	DUCT
			VERT.	HOR. *		
120	3.7	1580	5.0	4.5	360	3 1/4" X 10"

\* Horizontal ratings achieved using 3 1/4" x 10" duct and a 90° elbow.



HVI-2100 CERTIFIED RATINGS comply with new testing technologies and procedures prescribed by the Home Ventilating Institute, for off-the-shelf products, as they are available to consumers. Product performance is rated at 0.1 in. static pressure, based on tests conducted in a state-of-the-art test laboratory. Sones are a measure of humanly-perceived loudness, based on laboratory measurements.

### TYPICAL SPECIFICATION

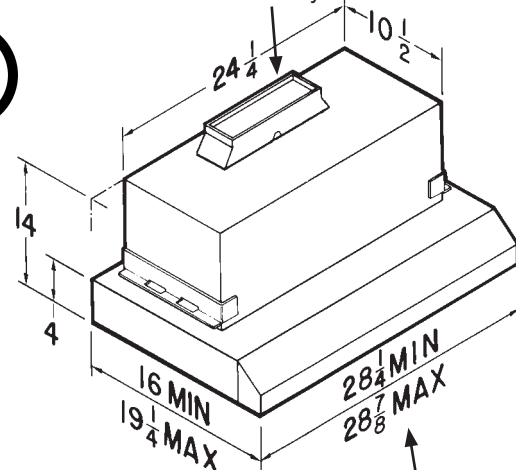
Wood Hood Kit shall be Broan Model 103023.

Kit shall have all-metal construction and fit in a Wood Hood up to 42 inches wide. Damper/duct connector to be included).

Unit shall have infinite speed control, fluorescent light and dual centrifugal blower. Blower to automatically turn on to HIGH speed when excess cooking heat is detected.

Air delivery shall be no less than 360 CFM and sound level no greater than 4.5 Sones (horizontal discharge), 5.0 Sones (vertical discharge). All air and sound ratings to be certified by HVI. Unit to be U.L. listed.

Use 3 1/4" x 10" duct and a 90° elbow to exhaust horizontally.



34-1/4 min. - 34-7/8 max. with 97009790.

Broan-NuTone LLC Hartford, Wisconsin www.broan.com 800-637-1453

REFERENCE	QTY.	REMARKS	Project
			Location
			Architect
			Engineer
			Contractor
			Submitted by Date