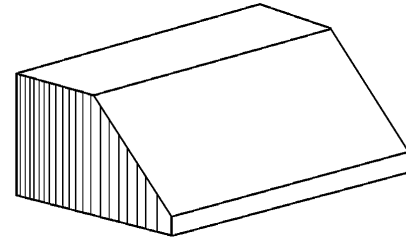


BROAN *ELITE* RM60000 SERIES RANGE HOOD



Provides high ventilation and durable construction to meet the needs of professional-quality residential cook-tops.

A complete installation requires several optional components. Refer to page 3 when planning your installation.

FEATURES

HOOD

- Widths - 30" to 60" (762 mm to 1524 mm) in 6" (152.4 mm) increments
- Finishes - Stainless Steel, White, and Black appliance colours
- Grease filters are dishwasher safe
- Dual food warming lamps (BR40 Size, 250W, Infrared purchase separately)
- Three-level cook-top lighting (Uses three 50W, PAR 20 halogen lamps - purchase separately)
- Solid-State, infinite speed blower control with speed memory
- Exclusive, Broan Heat Sentry™ turns blower ON to HIGH speed when excess heat is detected

BAFFLE FILTER KIT

RBF Series (Optional)

- Available for all hood widths

BACKSPLASH:

RMP Series (Optional)

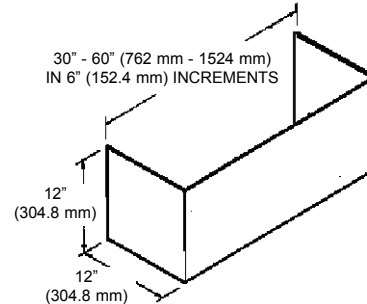
- Widths - 30" to 60" (762 mm to 1524 mm) in 6" (152.4 mm) increments
- Stainless Steel construction - protects back wall and wipes clean easily
- Two dual-position food warming / condiment storage shelves

SOFFIT CHIMNEY:

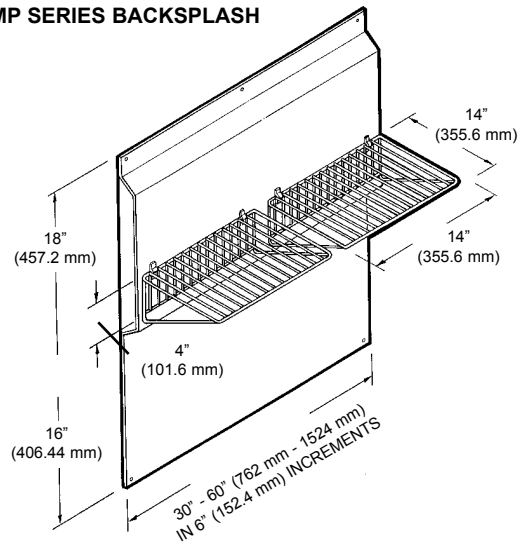
RMN Series (Optional)

- Widths - 30" to 60" (762 mm to 1524 mm) in 6" (152.4 mm) increments
- Finishes - Stainless Steel, White, and Black appliance colours
- Recommended for use when installation location has no soffit

RMN SERIES SOFFIT CHIMNEY



RMP SERIES BACKSPLASH



HVI-2100 CERTIFIED RATINGS comply with new testing technologies and procedures prescribed by the Home Ventilating Institute, for off-the-shelf products, as they are available to consumers. Product performance is rated at 0.1 in. (2.54 mm) static pressure, based on tests conducted in AMCA's state-of-the-art test laboratory. Sones are a measure of humanly-perceived loudness, based on laboratory measurements.

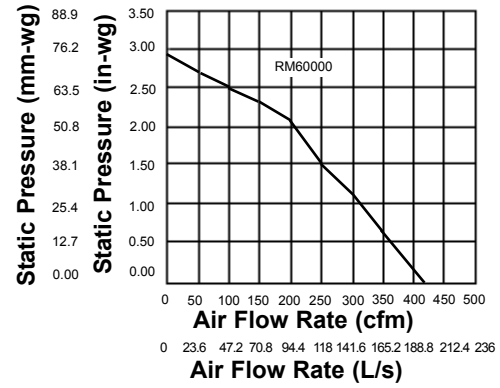
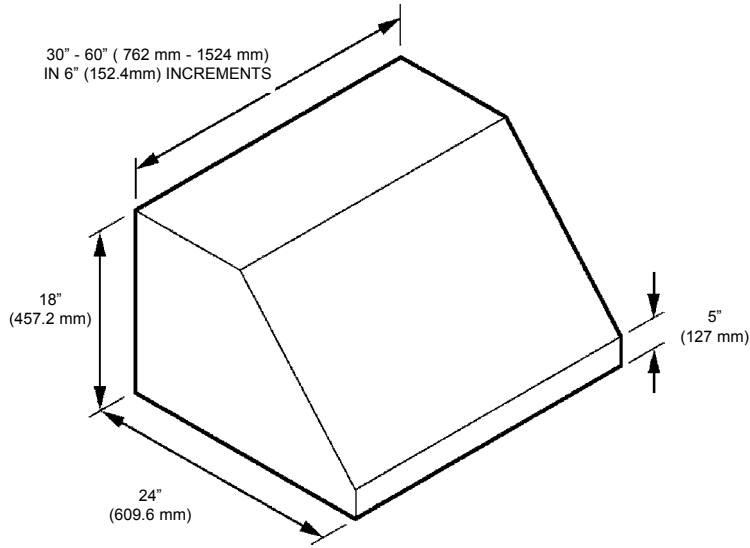


Broan-NuTone LLC, 926 West State Street, Hartford, WI 53027 (1-800-637-1453)
Broan-NuTone Canada Inc., 1140 Tristar Drive, Mississauga, Ontario, Canada L5T 1H9 (1-888-882-7626)

REFERENCE	QTY.	REMARKS	Project
			Location
			Architect
			Engineer
			Contractor
			Submitted by
			Date

PERFORMANCE RATINGS ——— BROAN *ELITE* RM60000 SERIES RANGE HOOD

RM60000 SERIES HOOD



HVI-2100 CERTIFIED RATINGS comply with new testing technologies and procedures prescribed by the Home Ventilating Institute, for off-the-shelf products, as they are available to consumers. Product performance is rated at 0.1 in. (2.54 mm) static pressure, based on tests conducted in AMCA's state-of-the-art test laboratory. Sones are a measure of humanly-perceived loudness, based on laboratory measurements.



RM60000 SERIES RANGE HOOD SYSTEM

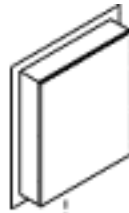
Wall & Roof Caps, Exterior Blowers



MODEL 441
10" (254 mm) Rd. Wall Cap



MODEL 437
High Capacity Roof Cap



MODEL 331
600 cfm (283 L/s)
OR
MODEL 332
900 cfm (425 L/s)
Exterior Blower



MODEL 647
7" (178 mm) Rd. Wall Cap



MODEL 634 OR 644
Roof Cap

Elbows & In-Line Dampers



MODEL 418
10" (254 mm) Rd. Adjustable Elbow



MODEL 421
10" (254 mm) Rd. Vert. In-Line Damper



MODEL 335
1200 cfm (566 L/s)
Exterior Blower



MODEL 415
7" (178 mm) Rd. Adjustable Elbow

Ductwork



MODEL 410
10" (254 mm) Rd. Duct - 2ft. (610 mm) selections



MODEL 407
7" (178 mm) Rd. Duct - 2ft. (610 mm) sections

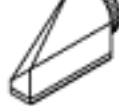
Choose 1 of 4 Discharge Transition



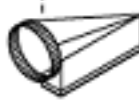
MODEL 423
4-1/2" x 18-1/2"
(114.3 mm x 469.9 mm)
to 10" (254 mm) Rd. Vertical



MODEL 424
4-1/2" x 18-1/2"
(114.3 mm x 469.9 mm)
to 10" (254 mm) Rd. Horiz. Front/Rear



MODEL 454
4-1/2" x 18-1/2"
(114.3 mm x 469.9 mm)
to 10" (254 mm) Rd. Horiz./ Right



MODEL 453
4-1/2" x 18-1/2"
(114.3 mm x 469.9 mm)
to 10" (254 mm) Rd. Horiz./ Left

RMN SERIES SOFFIT CHIMNEY
Required only for Soffit-less or direct Horiz. discharge installations

Choose 1 of 3 Blower Systems



MODEL 332KR ROUGH-IN KIT
Use with Models 331, 332 & 335 Exterior Blower

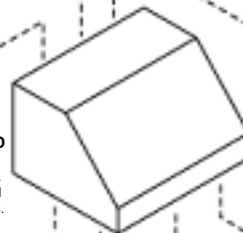


MODEL RM326H BLOWER/ROUGH-IN KIT
1200 cfm (566 L/s) Interior Blower and Rough-in plate

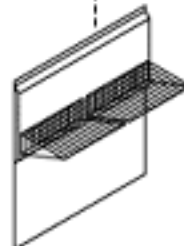


MODEL RM325H BLOWER/ROUGH-IN KIT
600 cfm (283 L/s) Interior Blower & Rough-in Plate

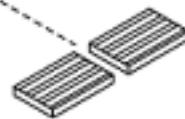
RM60000 SERIES HOOD
Canopy with blower controls & lighting. Required for all installations.



RMP SERIES BACKSPASH
Stainless Steel wall shield with warming shelves - optional



RBF SERIES BAFFLE FILTER KIT
Stainless Steel - Optional



NOTE: In addition to the blower models shown, the RM60000 Series Hood is also compatible with older interior blowers Models 325 & 326. Discard the installation instructions for those blowers, and contact Technical Support to obtain replacement instructions.