



C A F É

DISTINCT BY DESIGN

Owner's Manual





DISTINCT BY DESIGN™

Owner's Manual

36" and 48" Professional Rangetops

Models: CGU366, CGU486

Contents

Safety Information	3	Troubleshooting Tips	14
Using the Rangetop		Limited Warranty	15
Features	6	Consumer Support	16
In Case of a Power Failure	7		
Surface Burners	7		
Top-of-the-Range Cookware	9		
Wok Cooking	9		
Griddle	10		
Care And Cleaning			
Control Panel and Knobs	11		
Rangetop Exterior	11		
Round, Inspiral, and Multi-Ring Burners	12		
Spark Igniter and Electrodes	13		
Burner Grates	13		
Grease Trough	13		
Griddle	13		

Write the model and serial numbers here:

Model # _____

Serial # _____

You'll find them on a label located below the control panel on the rating label.

English • Français • Español

THANK YOU FOR MAKING CAFÉ A PART OF YOUR HOME.

We take pride in the craftsmanship, innovation and design that goes into every Café product, and we think you will too. Among other things, registration of your appliance ensures that we can deliver important product information and warranty details when you need them.

Register your Café appliance now online. Helpful websites are available in the Consumer Support section of this Owner's Manual. You may also mail in the pre-printed registration card included in the packing material.

C A F É

DISTINCT BY DESIGN™

IMPORTANT SAFETY INFORMATION

READ ALL INSTRUCTIONS BEFORE USING THE APPLIANCE

▲ WARNING If the information in this manual is not followed exactly, a fire or explosion may result, causing property damage, personal injury or death.

- Do not store or use gasoline or other flammable vapors and liquids in the vicinity of this or any other appliance.
- **WHAT TO DO IF YOU SMELL GAS**
 - Do not try to light any appliance.
 - Do not touch any electrical switch; do not use any phone in your building.
 - Immediately call your gas supplier from a neighbor's phone. Follow the gas supplier's instructions.
 - If you cannot reach your gas supplier, call the fire department.
- Installation and service must be performed by a qualified installer, service agency or the gas supplier.

▲ WARNING Read all safety instructions before using the product. Failure to follow these instructions may result in fire, electrical shock, serious injury or death.

▲ WARNING GENERAL SAFETY INSTRUCTIONS

▲ WARNING NEVER use this appliance as a space heater to heat or warm the room. Doing so may result in carbon monoxide poisoning.

- Use this appliance for its intended purpose as described in this owner's manual.
- Have your rangetop installed and properly grounded by a qualified installer in accordance with the provided installation instructions.
- Any adjustment and service should be performed only by a qualified gas rangetop installer or service technician. Do not attempt to repair or replace any part of your rangetop unless it is specifically recommended in this manual.
- Your rangetop is shipped from the factory set for use with natural gas or propane (LP) gas. It can be converted for use with either. If required, these adjustments must be made by a qualified technician in accordance with the installation instructions and local codes. The agency performing this work assumes responsibility for the conversion.
- Have the installer show you the location of the rangetop gas shut-off valve and how to turn it off if necessary.
- Plug your rangetop into a 120-volt grounded outlet only. Do not remove the round grounding prong from the plug. If in doubt about the grounding of the home electrical system, it is your responsibility and obligation to have an ungrounded outlet replaced with a properly grounded, three prong outlet in accordance with the National Electrical Code. Do not use an extension cord with this appliance.
- Before performing any service, unplug the rangetop or disconnect the power supply at the household distribution panel by removing the fuse or switching off the circuit breaker.
- Be sure all packing materials are removed from the rangetop before operating to prevent ignition of these materials.
- Avoid scratching or impacting glass displays. Doing so may lead to glass breakage. Do not cook on a product with broken glass. Shock, fire, or cuts may occur.

READ AND SAVE THESE INSTRUCTIONS

IMPORTANT SAFETY INFORMATION

READ ALL INSTRUCTIONS BEFORE USING THE APPLIANCE

⚠ WARNING GENERAL SAFETY INSTRUCTIONS

- Do not leave children alone or unattended in an area where an appliance is in use. They should never be allowed to climb, sit or stand on any part of the appliance.
- **⚠ CAUTION** Do not store items of interest to children in cabinets above a rangetop - children climbing on the rangetop to reach items could be seriously injured.
- Never block the vents (air openings) of the rangetop. They provide the air inlets and outlets that are necessary for the rangetop to operate properly with correct combustion. Air openings are located at the rear of the rangetop.
- Use only dry pot holders—moist or damp pot holders on hot surfaces may result in burns from steam. Do not let pot holders touch surface burners or burner grate. Do not use a towel or other bulky cloth in place of pot holders.
- Do not touch the heating elements. These surfaces may be hot enough to burn even though they are dark in color. Other surfaces of the appliance may become hot enough to cause burns. Potentially hot surfaces include the burners, grates, high shelf surface.
- Do not heat unopened food containers. Pressure could build up and the container could burst, causing an injury.
- Cook food thoroughly to help protect against foodborne illness. Minimum safe food temperature recommendations can be found at IsItDoneYet.gov and fsis.usda.gov. Use a food thermometer to take food temperatures and check several locations.
- Do not allow anyone to climb, stand or hang on the rangetop. They could damage the appliance.
- Keep the ventilator hood and grease filters clean to maintain good venting and to avoid grease fires. Turn the ventilator OFF in case of a fire or when intentionally "flaming" liquor or other spirits on the rangetop. The blower if in operation, could spread the flames.

⚠ WARNING KEEP FLAMMABLE MATERIALS AWAY FROM THE RANGETOP

Failure to do so may result in fire or personal injury.

- Do not store or use flammable materials the rangetop, including paper, plastic, pot holders, linens, wall coverings, curtains, drapes and gasoline or other flammable vapors and liquids.
- Never wear loose-fitting or hanging garments while using the appliance. These garments may ignite if they contact hot surfaces causing severe burns.
- Do not let cooking grease or other flammable materials accumulate in or near the rangetop. Grease on the rangetop may ignite.

READ AND SAVE THESE INSTRUCTIONS

IMPORTANT SAFETY INFORMATION

READ ALL INSTRUCTIONS BEFORE USING THE APPLIANCE

⚠ WARNING IN THE EVENT OF A FIRE, TAKE THE FOLLOWING STEPS TO PREVENT INJURY AND FIRE SPREADING

- Do not use water on grease fires. Never pick up a flaming pan. Turn the controls off. Smother a flaming pan on a surface unit by covering the pan completely with a well-fitting lid, cookie sheet or flat tray. Use a multi-purpose dry chemical or foam-type fire extinguisher.

⚠ WARNING RANGETOP SAFETY INSTRUCTIONS

⚠ WARNING NEVER Operate the Top Surface Cooking Section of this Appliance Unattended.

- Failure to follow this warning statement could result in fire, explosion, or burn hazard that could cause property damage, personal injury, or death.
 - If a fire should occur, keep away from the appliance and immediately call your fire department.
- DO NOT ATTEMPT TO EXTINGUISH AN OIL/GREASE FIRE WITH WATER.**

- Never leave oil unattended while frying. If allowed to heat beyond its smoking point, oil may ignite resulting in fire that may spread to surrounding cabinets. Use a deep fat thermometer whenever possible to monitor oil temperature.
- To avoid oil spillover and fire, use the minimum amount of oil when using a shallow pan-frying and avoid cooking frozen foods with excessive amounts of ice.

- Use proper pan size and avoid pans that are unstable or easily tipped. Select cookware that is matched to the size of the burner. Burner flames should be adjusted so that they do not extend beyond the bottom of the pan. Excessive flame may be hazardous.
- Always use the LITE position when igniting the top burners and make sure the burners have ignited.
- When using glass/ceramic cookware, make sure it is suitable for cooktop service; others may break because of sudden change in temperature.
- To minimize the possibility of burns, ignition of flammable materials and spillage, the handle of a container should be turned toward the center of the range without extending over nearby burners.
- Do not use a wok with a round metal support ring. The ring may trap heat and block air to the burner resulting in a carbon monoxide hazard.
- Do not attempt to lift the cooktop. Doing so may damage the gas tubing to the surface burners resulting in a gas leak and risk of fire.
- Do not use aluminum foil to cover the grates or line any part of the cooktop. Doing so may result in carbon monoxide poisoning, overheating of the cooktop surfaces, or a potential fire hazard.

How to Remove Protective Shipping Film and Packaging Tape

Carefully grasp a corner of the protective shipping film with your fingers and slowly peel it from the appliance surface. Do not use any sharp items to remove the film. Remove all of the film before using the appliance for the first time.

To assure no damage is done to the finish of the product, the safest way to remove the adhesive from packaging tape on new appliances is an application of a household liquid dishwashing detergent. Apply with a soft cloth and allow to soak.

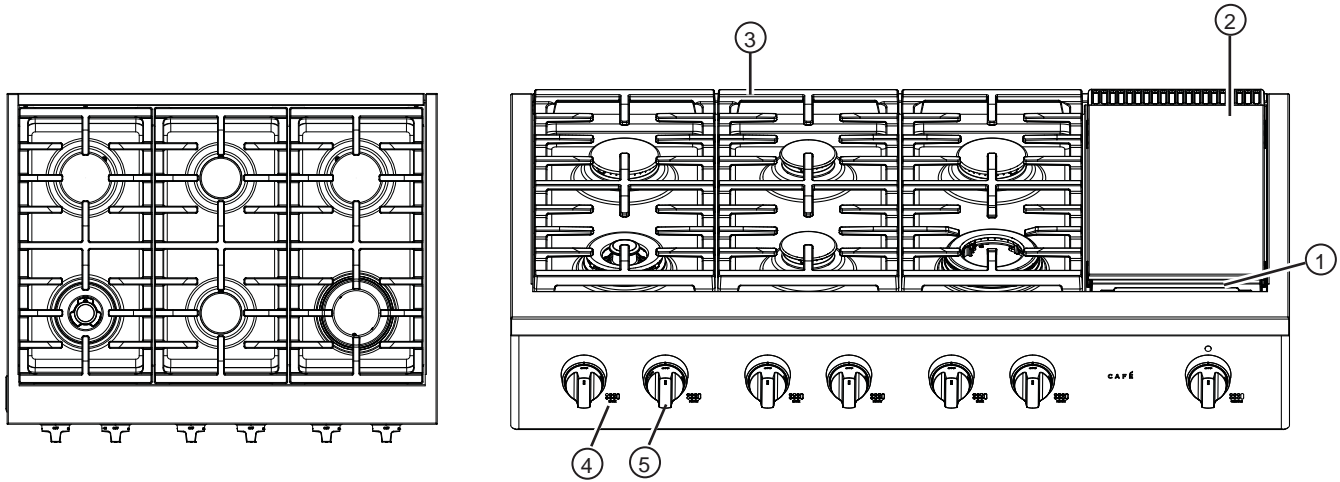
NOTE: The adhesive must be removed from all parts. It cannot be removed if it is baked on.

READ AND SAVE THESE INSTRUCTIONS

Using the Rangetop

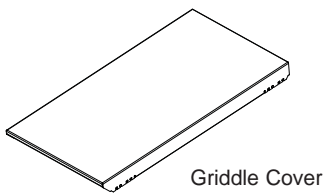
FEATURES

(Not all features are on all models. Appearance may vary.)



	Feature Index	Page
1	Griddle Grease Trough (on some models)	13
2	Griddle (on some models)	10,13
3	Cooktop Burner Grates	13
4	Burner Location Indicator	
5	Burner Control Knob	7,8,11

	Optional Accessories	Page
1	Griddle Cover	



Using the Rangetop

IN CASE OF A POWER FAILURE

In the event of a power failure, the surface burners may be lit with a match. Using extreme caution, hold a lit match near the ports beneath the surface burner cap, then slowly turn the knob to the LITE position. Once lit,

surface burners will continue to operate normally.

SURFACE BURNERS

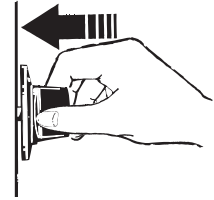
Lighting a Surface Burner

⚠ WARNING Burners should be operated only when covered by cookware. Burner flames not covered by cookware present a risk of fire or clothing ignition. Never let flames extend beyond the sides of the cookware. Failure to comply may result in serious injury.

Make sure all burners are in their correct locations and fully assembled before attempting to operate any burner.

Select a burner and find its control knob. Push the knob in and turn it to the LITE position.

You will hear a clicking noise—the sound of the electric spark igniting the burner. When one burner is turned to LITE, all burners will spark. Sparking will continue as long as the knob remains at LITE. Once gas is ignited, turn the knob to adjust the flame size.



Push the control knob in and turn it to the LITE position.

Automatic Reignition

The burners on this range will automatically relight if the flame goes out.

Selecting a Flame Size

Watch the flame, not the knob, as you adjust heat. When rapid heating is desired, the flame size should match the size of the cookware you are using. Flames larger than the bottom of the cookware will not heat faster and may be hazardous.



These flames are too large for the pot

Using the Surface Burners

NOTES:

- Do not operate the burner for an extended period of time without cookware on the grate. The finish on the grate may discolor or chip without cookware to absorb the heat.
- Do not attempt to disassemble any burner while another burner is on. Damage to the product may occur.
- Be sure the burners and grates are cool before you place your hand, a pot holder or cleaning materials on them.

Your rangetop has sealed gas burners that offer convenience, cleanability and flexibility for a wide range of cooking applications.

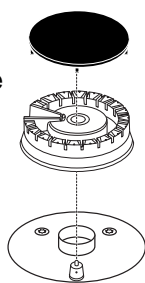
Using the Rangetop

SURFACE BURNERS (cont.)

Types of Surface Burners

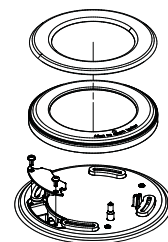
Round Burner

Use this burner for general cooking purposes. Size cookware appropriately to the flames.



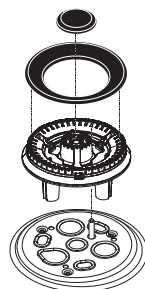
Inspiral Burner

Use this efficient inward firing burner that is ideal for medium and large cookware and wok cooking but not ideal for delicate foods.



Multi-ring Burner

Use this burner for large cookware or for simmering applications.



Inspiral Burner

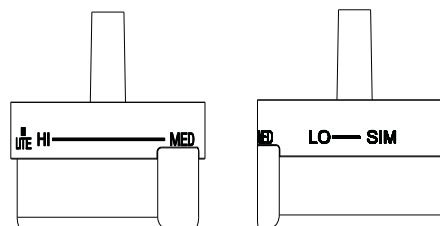
The Inspiral burner uses an inward flame pattern delivering more even heat to the bottom of the pan as well as increased heat efficiency. Ideal for medium and large cookware and wok cooking but not ideal for simmering delicate foods.

Inspiral burners will produce the most heat when in the high position and then reduce the amount of heat as you turn to the simmer position. The burner is supplied with a copper enamel cap and an alternative black enamel cap.

Multi-Ring Burner

The Multi-Ring Burner has an inner and outer ring of flame. For large cookware, activate all rings by setting the burner between Hi and Med.

For small cookware or low heating applications, only activate the inner rings by setting the burner between Lo and Sim.



Top View Of The Multi-Ring Burner Knob

Using the Rangetop

TOP-OF-RANGE COOKWARE

Aluminum: Medium-weight cookware is recommended because it heats quickly and evenly. Most foods brown evenly in an aluminum skillet. Use saucepans with tight-fitting lids when cooking with minimum amounts of water.

Stainless Steel: This metal alone has poor heating properties and is usually combined with copper, aluminum or other metals for improved heat distribution. Combination metal skillets usually work satisfactorily if they are used with medium heat or as the manufacturer recommends.

Cast-Iron: If heated slowly, most skillets will give satisfactory results.

Enamelware: Under some conditions, the enamel of some cookware may melt. Follow the cookware manufacturer's recommendations for cooking methods.

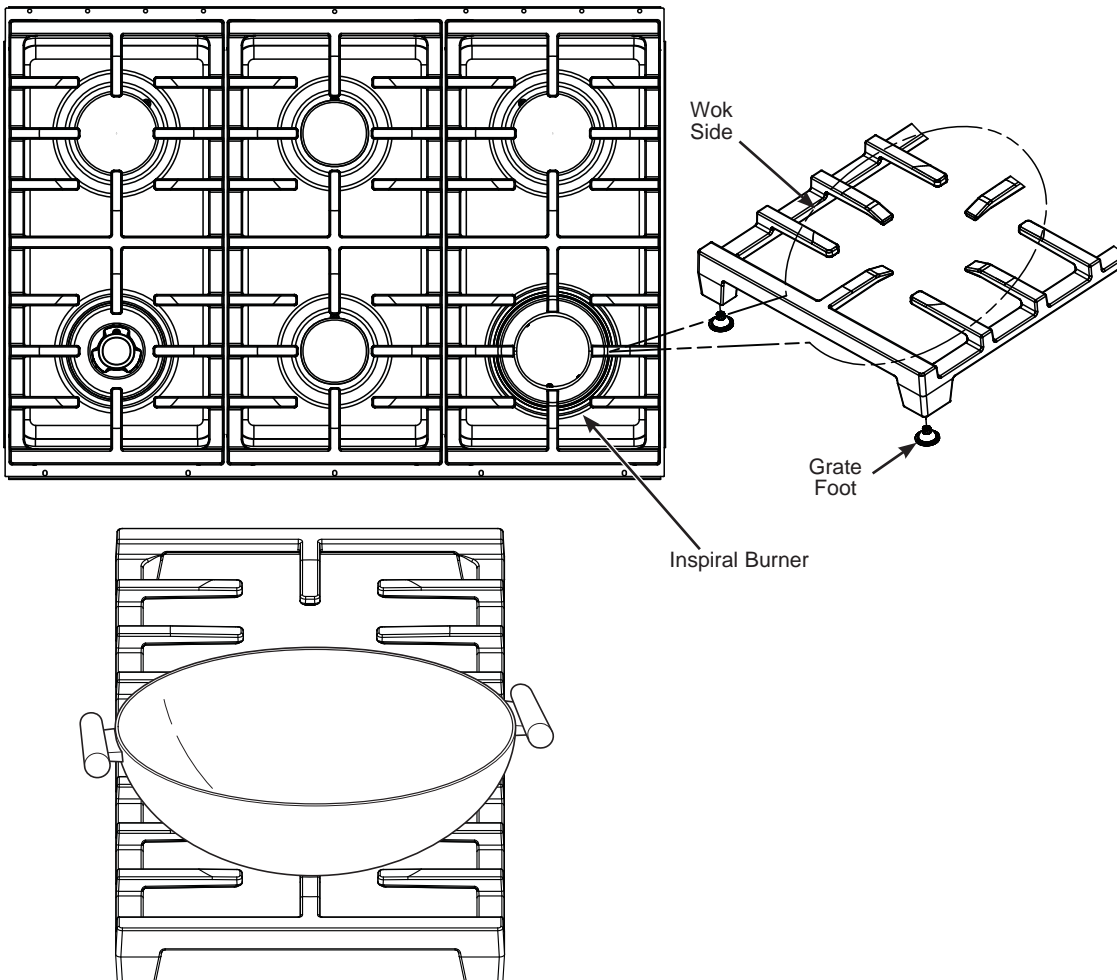
Glass: There are two types of glass cookware—those for oven use only and those for top-of-range cooking (saucepans, coffee and teapots). Glass conducts heat very slowly.

Heatproof Glass Ceramic: Can be used for either surface or oven cooking. It conducts heat very slowly and cools very slowly. Check the cookware manufacturer's directions to be sure it can be used on gas ranges.

WOK COOKING

⚠ WARNING Do not use a wok support ring. Placing the ring over the burner or grate may cause the burner to work improperly, resulting in carbon monoxide levels above allowable standards. This could be hazardous to your health.

The burner grate above the Inspiral burner accommodates wok sizes from 14" to 16" in diameter without the need of a separate ring. Large flat bottom pots also can use the wok grate for general cooking. This wok grate should only be located above the front right Inspiral burner.



Using the Range

GRIDDLE SAFETY PRECAUTIONS, LEVELING (on some models)

▲WARNING Fire Hazard

- Use care when cooking greasy foods. Spilled grease may result in fire.
- Never place any items on the griddle when it is not in use. Heat from surrounding burners can heat the griddle and may result in fire.
- Place and remove the griddle only when griddle is cool and all surface burners are turned OFF.

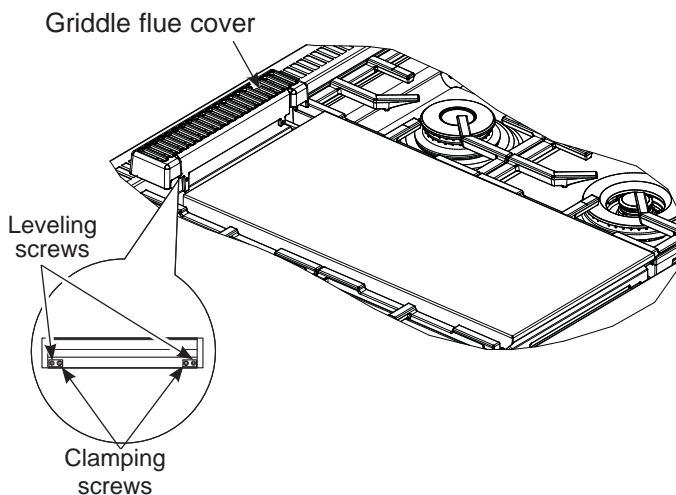
Remove the metal cover before turning the griddle on.

The griddle assembly should not be removed for cleaning.

Once the unit is in position, the griddle can be leveled. Remove the flue cover by lifting it straight up. Be careful not to scratch the surrounding stainless steel surfaces during removal of the flue cover.

The two inner screws are clamping screws for securing the griddle in place. Loosen these two screws before leveling. Do not remove these two screws.

The two outer screws are leveling screws. Do not remove these two screws. They can be turned to level the griddle or to provide a forward slope to help grease and oils to drain away from the food being cooked. After the first few uses, you will be able to judge the slope best suited for the foods you are cooking and personal preference.



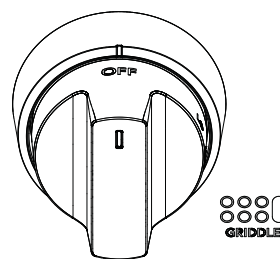
After leveling the griddle, tighten the clamping screws to secure griddle in place. Hand tighten screws; do not over-tighten.

USING THE GRIDDLE

Clean the griddle thoroughly with hot soapy water before first use and after subsequent uses. The griddle surface is made of durable, highly polished Type 304 stainless steel backed by an aluminum plate for even heat distribution. Apply a light coating of cooking oil to the griddle surface to help prevent food from sticking.

To heat the griddle, push in and turn the control knob to the desired temperature setting. The light on the bezel will glow to indicate that the thermostat control is working. The griddle is thermostatically controlled and can be set to maintain any temperature from 200°F to 450°F. Permit the griddle to preheat for 10 minutes before placing food on it.

NOTE: Unlike the surface burners which use spark igniters, the griddle uses a Glo-Bar for ignition. Gas flows to the griddle burner and ignition occurs approximately 45 seconds after the control knob is turned to a set temperature.



Food Item	Temperature Setting
Pancakes	375°F
Hamburgers	400°F
Bacon*	400°F
Grilled Cheese	350°F
Eggs	275°F

*NOTE: Place bacon on a cold griddle. Do not preheat.

Care And Cleaning

Be sure electrical power is off and all surfaces are cool before cleaning any part of the rangetop

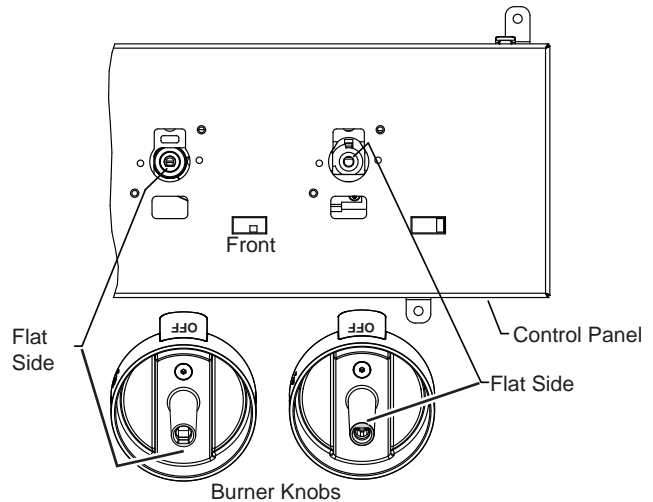
CONTROL PANEL AND KNOBS

It's a good idea to wipe the control panel after each use. Clean with mild soap and water or vinegar and water, rinse with clean water and polish dry with a soft cloth. Do not use abrasive cleansers, strong liquid cleansers, plastic scouring pads or oven cleaners on the control panel because they will damage the finish.

For easier cleaning, the control knobs may be removed by pulling them directly outwards once the knobs are in the OFF position. Do not pull knobs up or down or hang objects on them. This can damage the gas valve shaft. See the Surface Burner section for a detailed view of these knobs. The knobs can be washed by hand with soap and water.

When removing the burner knobs, remember their location. The knobs are not interchangeable, these knobs must be placed in the same location after cleaning. See the Surface Burner section for a detailed view of these knobs. To replace knobs after cleaning, align the bottom of the knob with the matching clip orientation to the shaft inside the bezel. Push knob until completed seated.

Use a soft, non abrasive cloth to clean the inside of the bezel. Do not remove diffuser film. Do not expose to moisture or it will damage lighting electronics.



RANGETOP EXTERIOR

Do not use oven cleaners, abrasive cleansers, strong liquid cleansers, steel wool, plastic scouring pads, or cleaning powders on the cooktop surface. Clean with a mild soap and water or a 50/50 solution of vinegar and water. Rinse with clean water and dry with a soft cloth. When cleaning surfaces, make sure that they are at room temperature and not in direct sunlight.

Spillage of marinades, fruit juices, tomato sauces and basting liquids containing acids may cause discoloration and should be wiped up as soon as hot surfaces cool. Then clean and rinse.

Stainless Steel

Do not use a steel wool pad; it will scratch the surface. To clean the stainless steel surface, use warm sudsy water or a stainless steel cleaner or polish. Always wipe the surface in the direction of the grain. Follow the cleaner instructions for cleaning the stainless steel surface. Cleaners with oxalic acid such as Bar Keepers Friend Soft Cleanser™ will remove surface rust, tarnish and small blemishes. Use only a liquid cleanser free of grit and rub in the direction of the brush lines with a damp, soft sponge. To inquire about purchasing cleaning products including stainless steel appliance cleaner or polish, see the Consumer Support section for further information.

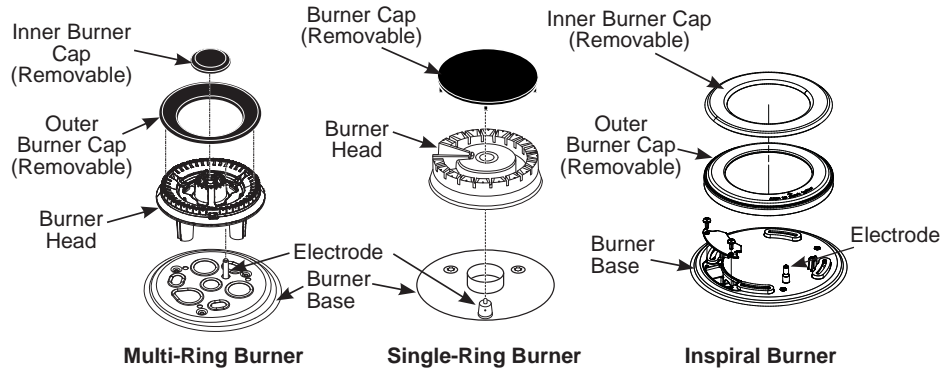
Care and Cleaning

ROUND, INSPIRAL, AND MULTI-RING BURNERS

CAUTION DO NOT OPERATE THE BURNER WITHOUT ALL BURNER PARTS IN PLACE.

Surface burners should be cleaned routinely, especially after bad spills, which could clog the slots and holes in the burner heads.

The electrode is located at the rear of each burner. Do not attempt to disassemble or clean around any burner while another burner is on. An electric shock may result.



To remove the burner parts:

1. Turn all controls OFF before removing any burner parts.
2. When cool, you may lift off the burner grates, burner caps and burner heads for easier cleaning. Do not remove the burner bases.

NOTE: Be sure to replace the burners and grates in the same location and orientation.

Cleaning

Lift off burner parts only when cool. Wash in hot, soapy water.

To remove burned-on food, soak the burner heads in a solution of mild liquid detergent and hot water for 20–30 minutes. For more stubborn stains, use a plastic scouring pad or toothbrush.

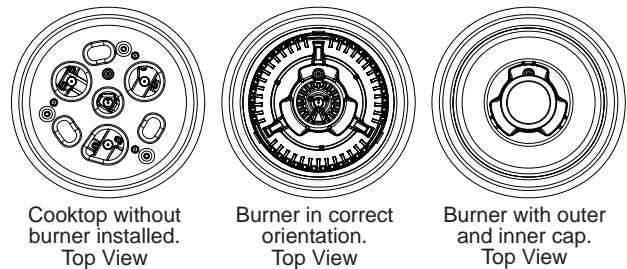
If the spill goes inside the burner head assembly, wash it under running water and shake to remove excess water.

After Cleaning

Before replacing the burner parts, shake out excess water and then dry them thoroughly.

To replace the burner parts for Multi Ring:

Align the burner head as shown. Pass the igniter through the opening in the burner head while ensuring the ignitor arrow is pointing toward the ignitor. Make sure the burner lies flat. Install the burner caps taking care to check that they lie flat on the burner head. Check burner operation to ensure uniform, blue flame around the burner. If there are yellow or uneven flames, immediately turn the burner off, let it cool, and readjust the burner and burner caps.

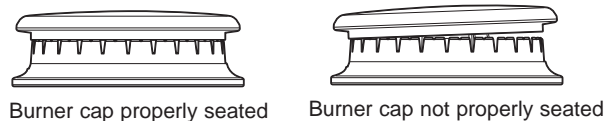


To replace the burner parts for Round Burner:

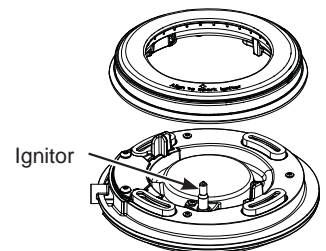
Make sure that the burner parts are replaced in the correct location and orientation.

1. Replace the burner head on top of the burner base, making sure that the hole in the burner head is properly aligned with the electrode in the burner base. A small gap between the base and head is normal.
2. Place the burner cap on top of the burner head. Make sure that the burner cap is properly seated on the burner head.

To replace the burner parts for Inspiral Burner:



Follow graphics to align spark ignitor



Care And Cleaning

SPARK IGNITER AND ELECTRODES

The electrode of the electronic ignition system is positioned at the rear of the burner base. When cleaning the cooktop, be careful not to snag the igniter with your cleaning cloth. Damage to the igniter could occur.

Be careful not to push in a control knob while cleaning. It could cause the igniter to spark.

Make sure that the white ceramic igniters on the cooktop are dry and clean. Clean the metal portion of the electrode with a soft cloth or emery board.

Do not attempt to remove the electrode from the cooktop.

Clean this metal part with an emery board.



Do not clean this white ceramic part with an emery board.

BURNER GRATES

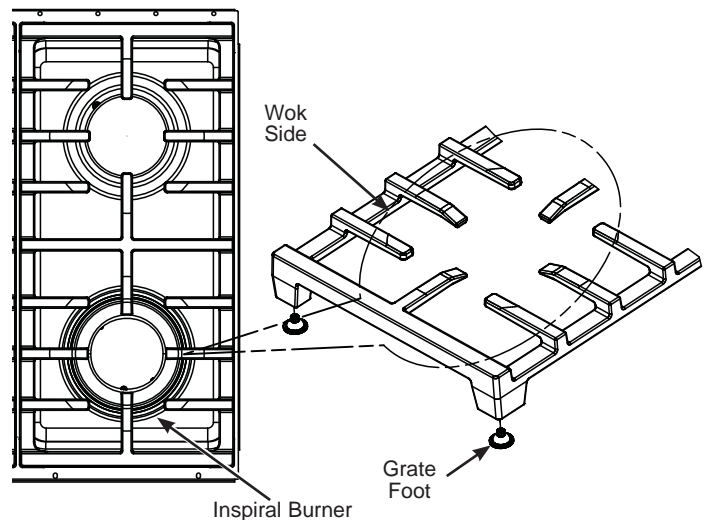
The enameled cast-iron burner grates should be cleaned regularly.

Wash them in hot soapy water, rinse, and dry thoroughly.

Although they are durable, the grates will gradually lose their shine, regardless of the best care you can give them. This is due to their continual exposure to high temperatures.

Do not operate a burner for an extended period of time without cookware on the grate. The finish on the grate may chip without cookware to absorb the heat.

For stability, the frames have rubber pads on each corner. During cleaning and use, be careful not to damage or snag rubber pads.

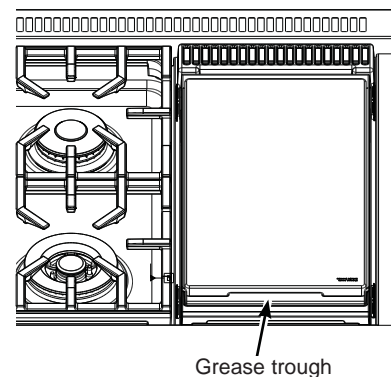


GREASE TROUGH (on some models)

Grease from the griddle will drain into the enameled cast-iron grease trough at the front of the range. Ensure grease trough is pushed underneath the griddle lip in order to catch grease while cooking. Once the trough has cooled, it may be lifted out for easier cleaning.

To remove the cool grease trough from the griddle, slide it toward the front and lift up.

Do not allow grease to accumulate in the grease trough as it can be a fire hazard. Clean the grease trough as soon as they are cool. The grease trough can be cleaned by hand with hot soapy water or in the dishwasher. Wipe any spillage in the trough basin with a soft cloth.



GRIDDLE (on some models)

Thoroughly clean the griddle of grease and food particles, using a square-edged metal spatula, while it is still hot.

Wipe the griddle with a dry, heavy, coarse cloth to remove any remaining residue and food particles. If the griddle is cleaned with anything other than a dry, heavy, coarse cloth, it will need to be reseasoned.

Never flood the hot griddle with cold water. This could cause the griddle to crack or warp.

NOTE: It is normal for the stainless steel griddle to discolor to a yellow-brown color after use.

Troubleshooting Tips

Save time and money! Review the charts on the following pages first and you may not need to call for service.

Problem	Possible Cause	What To Do
Burners do not light	Plug on range is not completely inserted in the electrical outlet.	Make sure electrical plug is plugged into a live, properly grounded outlet.
	Gas supply not connected or turned on.	See the Installation Instructions that came with your range.
	A fuse in your home may be blown or the circuit breaker tripped.	Replace the fuse or reset the circuit breaker.
	Burner parts not replaced correctly.	See the Care and Cleaning of the range section.
	Burner slots near the electrode may be clogged.	Remove the burners and clean them. Check the electrode area for burned-on food or grease. See the Care and Cleaning of the range section.
	Food residue on electrode	Lightly polish flat tip of electrode with nail file or sandpaper until shiny.
Top burners do not burn evenly	Improper burner assembly.	Make sure the burner caps are seated correctly. See the Care and Cleaning of the range section.
	Burner slots on the side of the burner may be clogged.	Remove the burners for cleaning. See the Care and Cleaning of the range section.
Burner flames are very large or yellow	Improper air to gas ratio.	If range is connected to Propane gas, contact the technician who installed your range or made the conversion.

Limited Warranty

cafeappliances.com

All warranty service is provided by our Factory Service Centers, or an authorized service technician. To schedule service online, visit us at cafeappliances.com/service. In Canada, visit cafeappliances.ca/service. Please have your serial number and your model number available when scheduling service.

Servicing your appliance may require the use of the onboard data port for diagnostics. This gives a Café factory service technician the ability to quickly diagnose any issues with your appliance and helps Café improve its products by providing Café with information on your appliance. If you do not want your appliance data to be sent to Café, please advise your technician not to submit the data to Café at the time of service.

For the period of	Café will replace
One year From the date of the original purchase	Any part of the cooktop which fails due to a defect in materials or workmanship. During this limited one-year warranty , Café will provide, free of charge , all labor and in-home service to replace the defective part.

What Café will not cover:

- Service trips to your home to teach you how to use the product.
- Discoloration of the oven racks.
- Chipping of porcelain enamel grates or oven racks.
- Replacement of house fuses or resetting of circuit breakers.
- Incidental or consequential damage caused by possible defects with this appliance.
- Damage after delivery.
- Damage to the product caused by accident, fire, floods or acts of God.
- Product damage or failure of the product if it is abused, misused, used for other than the intended purpose, or used commercially.
- Improper installation, delivery or maintenance. If you have an installation problem, contact your dealer or installer. You are responsible for providing adequate electrical, gas, exhausting and other connecting facilities as described in the Installation Instructions provided with the product.
- Product not accessible to provide required service.

EXCLUSION OF IMPLIED WARRANTIES

Your sole and exclusive remedy is product repair as provided in this Limited Warranty. Any implied warranties, including the implied warranties of merchantability or fitness for a particular purpose, are limited to one year or the shortest period allowed by law.

Staple your receipt here. Proof of the original purchase date is needed to obtain service under the warranty.

This limited warranty is extended to the original purchaser and any succeeding owner for products purchased for home use within the USA. If the product is located in an area where service by a Café Authorized Servicer is not available, you may be responsible for a trip charge or you may be required to bring the product to an Authorized Café Service location for service. In Alaska, the limited warranty excludes the cost of shipping or service calls to your home.

Some states do not allow the exclusion or limitation of incidental or consequential damages. This limited warranty gives you specific legal rights, and you may also have other rights which vary from state to state. To know what your legal rights are, consult your local or state consumer affairs office or your state's Attorney General.

Warrantor: GE Appliances, a Haier company
Louisville, KY 40225

Canada : MC Commercial Inc., Burlington, ON L7R 5B6

Extended Warranties: Purchase a Café extended warranty and learn about special discounts that are available while your warranty is still in effect. You can purchase it online anytime at

cafeappliances.com/extended-warranty

Café Service will still be there after your warranty expires.

Consumer Support

CAFÉ Website

Have a question or need assistance with your appliance? Try the CAFÉ website 24 hours a day, any day of the year! You can also shop for more great CAFÉ products and take advantage of all our on-line support services designed for your convenience. In the US: cafeappliances.com In Canada: cafeappliances.ca

Register Your Appliance

Register your new appliance on-line at your convenience! Timely product registration will allow for enhanced communication and prompt service under the terms of your warranty, should the need arise. You may also mail in the pre-printed registration card included in the packing material. In the US: cafeappliances.com/register
In Canada: cafeappliances.ca/registration

Schedule Service

Expert CAFÉ repair service is only one step away from your door. Get on-line and schedule your service at your convenience any day of the year. In the US: cafeappliances.com/service In Canada: cafeappliances.ca/service

Extended Warranties

Purchase a CAFÉ extended warranty and learn about special discounts that are available while your warranty is still in effect. You can purchase it on-line anytime. CAFÉ Service will still be there after your warranty expires.
In the US: cafeappliances.com/extended-warranty In Canada: cafeappliances.ca/extended-warranty

Remote Connectivity

For assistance with wireless network connectivity (for models with remote enable), visit our website at cafeappliances.com/connect In Canada: cafeappliances.ca/connect

Parts and Accessories

Individuals qualified to service their own appliances can have parts or accessories sent directly to their homes (VISA, MasterCard and Discover cards are accepted). Order on-line today 24 hours every day.
In the US: cafeappliances.com/parts

Instructions contained in this manual cover procedures to be performed by any user. Other servicing generally should be referred to qualified service personnel. Caution must be exercised, since improper servicing may cause unsafe operation.

Customers in Canada should consult the yellow pages for the nearest Mabe service center, visit our website at cafeappliances.ca/parts

Contact Us

If you are not satisfied with the service you receive from CAFÉ, contact us on our website with all the details including your phone number, or write to:

In the US: General Manager, Customer Relations | CAFÉ Appliances, Appliance Park | Louisville, KY 40225
cafeappliances.com/contact

In Canada: Director, Consumer Relations, Mabe Canada Inc. | Suite 310, 1 Factory Lane | Moncton, N.B. E1C 9M3
cafeappliances.ca/contact

CAFÉ

DISTINCT BY DESIGN™

Manuel d'utilisation

91 cm (36 po) et 122 cm (48 po) Tables de cuisson professionnelle

Modèles: CGU366, CGU486

Table des matières

Consignes de sécurité	3	Grilles de brûleur	13
Utilisation de la table de cuisson		Lèchefrite	13
Fonctions	6	Plaque chauffante	13
En cas de panne de courant	7	Trucs de dépannage	14
Brûleurs de surface	7	Garantie limitée	15
Récipients pour la cuisson en surface	9	Soutien au consommateur	16
Cuisiner au wok	9		
Plaque chauffante	10		
Entretien et nettoyage			
Panneau de commande et boutons	11		
Extérieur de la table de cuisson	11		
Brûleurs rond, à induction d'air et à plusieurs anneaux	12		
Déclencheur d'étincelles et électrodes	13		

Veillez écrire ces numéros ici :

Numéro du modèle _____

Numéro de série _____

Vous les trouverez en dessous du panneau de commande sur une étiquette signalétique.

Français

NOUS VOUS REMERCIONS D'ACCUEILLIR CAFÉ CHEZ VOUS

Nous sommes fiers du savoir-faire, de l'innovation et de l'esthétique qui composent chaque appareil CAFÉ, et nous pensons que vous le serez aussi. Dans cette optique, nous vous rappelons que l'enregistrement de votre électroménager vous assure la communication de renseignements importants sur le produit et la garantie lorsque vous en avez besoin.

Enregistrez votre électroménager CAFÉ en ligne dès maintenant. Des sites web et des numéros de téléphone utiles figurent dans la section Soutien au consommateur de ce manuel d'utilisation. Vous pouvez aussi poster la fiche de garantie pré-imprimée incluse dans l'emballage.



CONSIGNES DE SÉCURITÉ IMPORTANTES

VEUILLEZ LIRE TOUTES LES CONSIGNES AVANT D'UTILISER L'APPAREIL

⚠ AVERTISSEMENT Si les consignes du manuel ne sont pas respectées, il y a un risque d'incendie ou d'explosion et des dommages matériels, physiques et la mort.

- Ne stockez ou n'utilisez pas d'essence ou d'autres vapeurs ou liquides inflammables à proximité de la cuisinière ou de tout autre appareil.
- QUE FAIRE SI JE DÉTECTE UNE ODEUR DE GAZ
 - N'allumez pas l'appareil.
 - Ne touchez aucun interrupteur, n'utilisez pas de téléphone.
 - Appelez immédiatement votre fournisseur de gaz avec le téléphone du voisin. Suivez les instructions du fournisseur.
 - Si vous ne parvenez pas à joindre le fournisseur de gaz, appelez les pompiers.
- L'installation et l'entretien doivent être effectués par un installateur qualifié, un centre de réparation ou le fournisseur de gaz.

⚠ AVERTISSEMENT Veuillez lire toutes les consignes avant d'utiliser ce produit. Le non-respect de ces instructions pourrait entraîner un incendie, un choc électrique, une blessure grave voire la mort.

⚠ AVERTISSEMENT CONSIGNES GÉNÉRALES DE SÉCURITÉ

⚠ AVERTISSEMENT N'utilisez JAMAIS cet électroménager comme appareil de chauffage pour réchauffer la pièce. Cela pourrait causer un empoisonnement au monoxyde de carbone.

- Utilisez cet électroménager uniquement aux fins auxquelles il est fait mention dans ce manuel du propriétaire.
- L'installation et la mise à la terre doivent être réalisées par un installateur qualifié en conformité avec les instructions d'installation fournies.
- Tout réglage et toute réparation devraient être réalisés par un installateur de cuisinière au gaz ou un technicien en réparation qualifiés. Ne tentez pas de réparer ou de remplacer une pièce de cette cuisinière à moins que cela soit spécifiquement recommandé dans ce manuel.
- Votre cuisinière est expédiée de l'usine prête pour une alimentation au gaz naturel ou au propane (LP). Elle peut être convertie pour l'un ou l'autre de ces gaz. Si nécessaire, ces conversions doivent être réalisées par un technicien qualifié conformément aux instructions d'installation et aux codes locaux. L'intermédiaire qui réalise ce travail assume la responsabilité de la conversion
- Demandez à l'installateur de vous montrer l'emplacement du robinet de sectionnement du gaz de la cuisinière et comment le fermer si nécessaire.
- Branchez votre cuisinière dans une prise mise à la terre de 120 volts seulement. N'enlevez pas la broche de mise à la terre ronde de la fiche du cordon. En cas de doute concernant le système de mise à la terre du domicile, vous avez la responsabilité et l'obligation de remplacer une prise non mise à la terre par une prise triphasée correctement mise à la terre en conformité avec le Code national de l'électricité. N'utilisez pas un cordon de rallonge avec cet électroménager.
- Avant toute réparation, débranchez la cuisinière ou coupez l'alimentation électrique au panneau de distribution domestique en retirant le fusible ou en désarmant le disjoncteur.
- Assurez-vous de retirer tout le matériel d'emballage de la cuisinière avant d'allumer celle-ci afin de prévenir l'inflammation de ce matériel.
- Évitez de rayer les surfaces de verre. Cela pourrait causer le bris du verre. Ne cuisez pas d'aliments sur du verre brisé. Cela pourrait occasionner une décharge électrique, un incendie ou des blessures.
- Ne laissez pas d'enfants seuls ou sans surveillance dans la zone où l'électroménager est en cours d'utilisation. On ne devrait jamais leur permettre de grimper, s'asseoir ou se tenir sur quelque partie de l'électroménager que ce soit.

LISEZ CES INSTRUCTIONS ET RANGEZ-LES SOIGNEUSEMENT

CONSIGNES DE SÉCURITÉ IMPORTANTES

VEUILLEZ LIRE TOUTES LES CONSIGNES AVANT D'UTILISER L'APPAREIL

⚠ AVERTISSEMENT

CONSIGNES GÉNÉRALES DE SÉCURITÉ

- ⚠ ATTENTION** Ne rangez pas les articles qui attirent les enfants dans des armoires au-dessus d'une cuisinière, un enfant qui grimpe sur la cuisinière pour atteindre un article peut se blesser gravement.
- N'obstruez jamais les événements (orifices d'air) de la table de cuisson. Ils constituent des entrées et des sorties d'air nécessaires à la table de cuisson pour fonctionner correctement avec une combustion adéquate. Ces événements sont situés à l'arrière de la table de cuisson.
- Utilisez seulement des poignées ou mitaines sèches car des brûlures de vapeur peuvent survenir au contact des surfaces chaudes si elles sont humides. Ne laissez pas les poignées ou mitaines toucher les brûleurs de surface ou les grilles de brûleurs.. N'utilisez pas une serviette ou autre linge de grande taille à la place d'une poignée ou de mitaines.
- Ne touchez pas aux éléments chauffants. Ces surfaces peuvent s'avérer suffisamment chaudes pour brûler même si elles sont d'une couleur foncée. D'autres surfaces de l'électroménager peuvent devenir suffisamment chaudes pour causer des brûlures. Parmi les surfaces potentiellement chaudes, mentionnons les brûleurs, les grilles, et les surfaces des tablettes en hauteur.
- Ne chauffez pas de contenants d'aliments non ouverts. L'augmentation de la pression peut faire éclater le contenant et causer des blessures.
- Cuisez les aliments à fond pour vous prémunir contre les maladies d'origine alimentaire. Des recommandations relatives aux températures de cuisson minimales sûres sont accessibles sur les sites IsItDoneYet.gov et fsis.usda.gov. Utilisez un thermomètre pour aliments et vérifiez à plusieurs endroits.
- Ne laissez personne grimper, se tenir ou s'accrocher à la table de cuisson. Cela poserait un risque de dommage.
- Gardez la hotte du ventilateur et les filtres à graisse propres afin de maintenir une bonne ventilation et prévenir les feux de graisse. Mettez le ventilateur en arrêt (OFF) dans l'éventualité d'un incendie ou lors de l'inflammation intentionnelle d'un spiritueux sur la table de cuisson. La soufflante en marche peut propager les flammes.

⚠ AVERTISSEMENT

GARDEZ LES MATIÈRES INFLAMMABLES À DISTANCE DE LA CUISINIÈRE

L'omission de prendre cette précaution peut causer un incendie ou une blessure corporelle.

- Ne rangez ni n'utilisez des matières inflammables dans un four ou près de la table de cuisson, y compris du papier, du plastique, des poignées ou mitaines, du linge de maison, du revêtement mural, des rideaux, des draperies, de l'essence ou d'autres vapeurs ou liquides inflammables.
- Ne portez jamais de vêtements amples ou pendants lors de l'utilisation de l'électroménager. Ces vêtements peuvent prendre feu au contact de surfaces chaudes et causer des brûlures graves.
- Ne laissez pas la graisse de cuisson ni d'autres matières inflammables s'accumuler dans ou près de la table de cuisson. Cette graisse pourrait s'enflammer.

LISEZ CES INSTRUCTIONS ET RANGEZ-LES SOIGNEUSEMENT

CONSIGNES DE SÉCURITÉ IMPORTANTES

VEUILLEZ LIRE TOUTES LES CONSIGNES AVANT D'UTILISER L'APPAREIL

⚠ AVERTISSEMENT DANS L'ÉVENTUALITÉ D'UN INCENDIE, PRENEZ LES MESURES SUIVANTES AFIN DE PRÉVENIR LES BLESSURES ET LA PROPAGATION DU FEU

- Ne versez pas d'eau sur un feu de graisse. Ne prenez jamais une casserole en flammes. Mettez les commandes à la position d'arrêt (OFF). Éteignez une casserole en flammes sur un élément de surface en recouvrant la casserole complètement avec un couvercle bien adapté, une tôle à biscuit ou un plateau bien plat. Utilisez un extincteur à poudre sèche ou à mousse.

⚠ AVERTISSEMENT CONSIGNES DE SÉCURITÉ RELATIVES À LA TABLE DE CUISSON

⚠ AVERTISSEMENT

N'utilisez JAMAIS la section de cuisson en surface de cet électroménager sans surveillance.

- **L'omission de se conformer à cet avertissement pourrait causer un incendie ou une explosion représentant un risque de dommage à la propriété, de blessure ou de décès.**
- **Dans l'éventualité d'un incendie, tenez-vous à l'écart de l'électroménager et appelez immédiatement votre service d'incendie.**

NE TENTEZ PAS D'ÉTEINDRE UN FEU D'HUILE OU DE GRAISSE AVEC DE L'EAU.

- Ne laissez jamais de l'huile en cours de friture sans surveillance. Au-delà de son point de fumée, l'huile peut s'enflammer et causer un incendie pouvant se propager aux armoires environnantes. Utilisez un thermomètre à bain de friture lorsque c'est possible afin de surveiller la température de l'huile.
- Pour prévenir le débordement d'huile et l'incendie consécutif, utilisez une quantité d'huile minimale lorsque vous utilisez une casserole peu profonde et évitez de cuire des aliments congelés qui comportent trop de glace.
- Utilisez une casserole d'une taille appropriée et évitez celles qui sont instables ou qui basculent facilement. Réglez les flammes du brûleur de façon qu'elles ne dépassent pas le fond de la casserole. Des flammes trop intenses présentent un risque.
- Utilisez toujours la position LITE (allumage) lorsque vous allumez les brûleurs supérieurs et assurez-vous qu'ils sont bien allumés.
- Lorsque vous utilisez une batterie de cuisine en verre ou céramique, assurez-vous qu'elle convient à la chaleur d'une table de cuisson; certaines peuvent éclater en raison du brusque changement de température.
- Pour minimiser la possibilité de brûlure, d'allumage de matières inflammables ou de débordement, la poignée du récipient doit être orientée vers le centre de la table de cuisson sans se trouver au-dessus des brûleurs environnants.
- N'utilisez pas un wok doté d'un anneau de support métallique. L'anneau peut emprisonner la chaleur, bloquer l'air au brûleur et présenter un risque d'intoxication au monoxyde de carbone.
- Ne tentez pas de soulever la table de cuisson. Cela peut endommager la tuyauterie de gaz aux brûleurs occasionnant une fuite de gaz et un risque d'incendie.
- N'utilisez pas de papier aluminium pour recouvrir les grilles ou une partie de la table de cuisson. Cela peut mener à une intoxication au monoxyde de carbone, à la surchauffe des surfaces de la table de cuisson ou à un incendie.

Comment retirer la pellicule protectrice et le ruban adhésif de l'emballage

Avec précaution, agrippez un coin de la pellicule protectrice avec vos doigts et retirez-la lentement de la surface de l'électroménager. N'utilisez pas d'articles coupants pour retirer la pellicule. Retirez toute la pellicule avant d'utiliser l'électroménager pour la première fois.

Pour s'assurer de l'absence de dommages au fini du produit, la meilleure manière de retirer le ruban adhésif sur un électroménager neuf consiste à appliquer un détergent pour lave-vaisselle liquide domestique. Appliquez avec un linge doux et laissez imbiber.

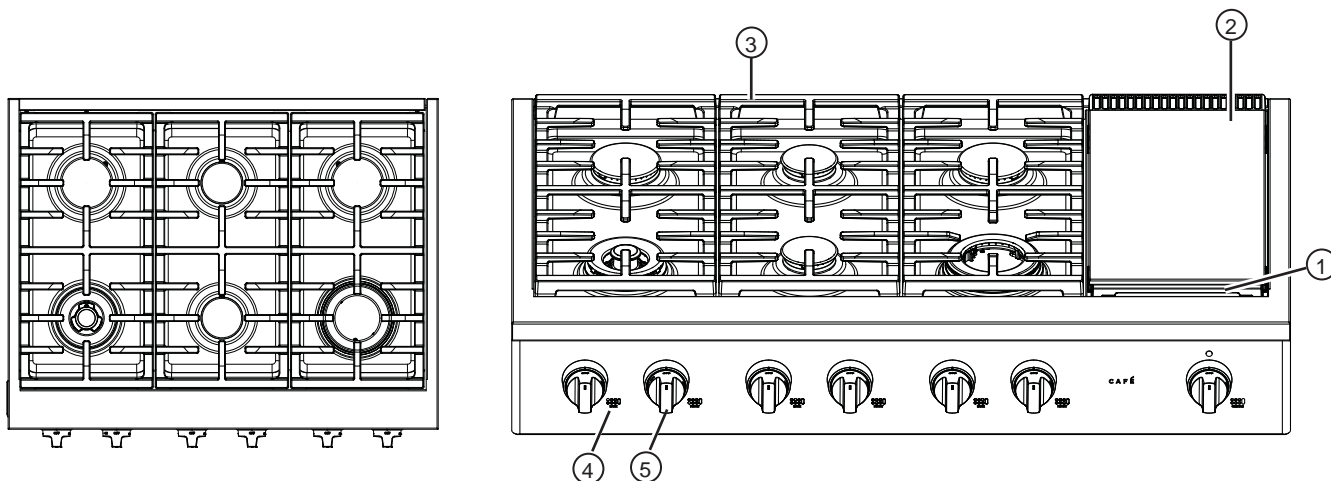
REMARQUE : L'adhésif doit être retiré de toutes les parties. Cela sera impossible s'il est cuit.

LISEZ CES INSTRUCTIONS ET RANGEZ-LES SOIGNEUSEMENT

Utilisant la cuisinière

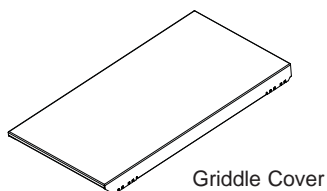
FONCTIONS

(Toutes les fonctions ne sont pas présentes sur tous les modèles. L'apparence peut varier d'un modèle à l'autre).



	Index des fonctionnalités	Page
1	Lèche-frite de grill et de plaque chauffante (sur certains modèles)	13
2	Plaque chauffante (sur certains modèles)	10,13
3	Grilles de brûleur de table de cuisson	13
4	Indicateur d'emplacement de brûleur	
5	Bouton de commande du brûleur	7,8,11

	Accessoires en option	Page
1	Couvercles de plaque et de grill	



Utilisation de la table de cuisson

EN CAS DE PANNE DE COURANT

Dans l'éventualité d'une panne de courant, on peut allumer les brûleurs de surface à l'aide d'une allumette. En usant d'une extrême prudence, tenez une allumette allumée près des orifices en dessous du chapeau du brûleur de

surface, puis tournez lentement le bouton jusqu'à la position LITE (allumage). Une fois allumés, les brûleurs de surface fonctionneront normalement.

BRÛLEURS DE SURFACE

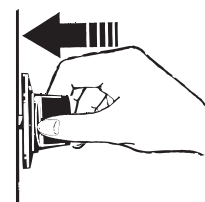
Allumage d'un brûleur de surface

⚠ AVERTISSEMENT Il faut utiliser les brûleurs uniquement lorsqu'ils sont recouverts d'un récipient (casserole, poêlon, etc.) de cuisson. Les flammes de brûleur non recouvertes par un ustensile de cuisson présentent un risque d'incendie ou d'inflammation de vêtement. Ne laissez jamais les flammes dépasser des côtés du récipient de cuisson. L'omission d'observer cette directive peut occasionner des blessures graves.

Assurez-vous que tous les brûleurs se trouvent au bon emplacement et complètement assemblés avant de tenter d'utiliser un brûleur quelconque.

Sélectionnez un brûleur et trouvez son bouton de commande. Poussez le bouton et tournez-le jusqu'à la position LITE (allumage).

Vous entendrez un clic, c'est-à-dire le son de l'étincelle électrique qui allume le brûleur. Lorsqu'un brûleur est tourné à LITE, tous les brûleurs vont produire une étincelle. La production d'étincelles se poursuivra aussi longtemps que le bouton se situera à LITE. Une fois le gaz allumé, tournez le bouton pour régler la taille de la flamme.



Pousser le bouton de commande et tourner jusqu'à la position LITE.

Rallumage automatique

Les brûleurs de cette cuisinière se rallumeront automatiquement si la flamme s'éteint.

Sélection de la taille de flamme

Regardez la flamme, et non le bouton, lorsque vous réglez la chaleur. Lorsqu'un chauffage rapide est désiré, la taille de la flamme doit correspondre à la taille du récipient de cuisson que vous utilisez. Les flammes plus grandes que le bas du récipient ne chaufferont pas plus rapidement et elles peuvent s'avérer dangereuses.



Ces flammes sont trop grandes pour le récipient

Utilisation des brûleurs de surface

REMARQUES :

- Ne faites pas fonctionner le brûleur durant une longue période sans récipient de cuisson sur la grille. Le fini de la grille peut se décolorer ou s'écailler sans récipient pour absorber la chaleur.
- Ne tentez pas de démonter un brûleur pendant qu'un autre brûleur est allumé. Vous risquez d'endommager le produit.

- Assurez-vous que les brûleurs et les grilles sont refroidis avant de mettre votre main, une poignée ou des agents nettoyants sur ceux-là.

Le dessus de votre cuisinière est doté de brûleurs au gaz scellés qui procurent commodité, facilité de nettoyage et flexibilité pour un large éventail d'utilisations de cuisson.

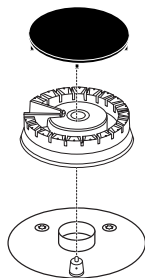
Utilisation de la table de cuisson

BRÛLEURS DE SURFACE (suite)

Types de brûleurs de surface

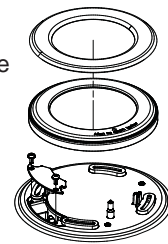
Brûleur rond

Utilisez ce brûleur à des fins de cuisson générales. Choisissez des récipients de cuisson qui correspondent aux flammes.



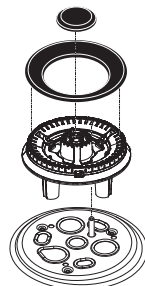
Brûleur à induction d'air

Ce brûleur à combustion interne efficace est idéal pour les récipients de cuisson de moyenne et grande tailles ainsi que la cuisson au wok, mais ne convient pas aux aliments délicats



Brûleur à plusieurs anneaux :

Utilisez ce brûleur pour les grands récipients ou les plats à mijoter.



Brûleur à induction d'air

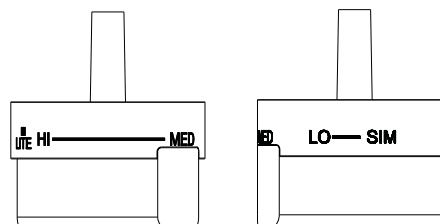
Le brûleur à induction d'air utilise un patron de flammes interne qui procure un chauffage plus efficace et une chaleur plus uniforme dans le bas du récipient. Ce brûleur est idéal pour les récipients de cuisson de moyenne et grande tailles ainsi que la cuisson au wok, mais ne convient pas au mijotage des aliments délicats.

Les brûleurs à induction d'air produisent le plus de chaleur à la position de chauffage maximal (High) et la réduisent à mesure que vous tournez le réglage vers la position de mijotage. Ce brûleur est livré avec un chapeau en émail de cuivre et un second en émail de couleur noire.

Brûleur à plusieurs anneaux

Le brûleur à plusieurs anneaux est doté de deux groupes d'anneaux, intérieur et extérieur. Pour les grands récipients, activez tous les anneaux en réglant le brûleur entre Hi et Med.

Pour les petits récipients et la cuisson à faible chaleur, activez seulement les anneaux intérieurs en réglant le brûleur entre Lo et Sim.



Vue de dessus du bouton du brûleur à plusieurs anneaux

Utilisation de la table de cuisson

Récipients pour la cuisson en surface

Aluminium : Nous recommandons des récipients de poids moyen car ils s'échauffent rapidement et uniformément. La plupart des aliments brunissent uniformément dans un poêlon en aluminium. Utilisez des casseroles avec des couvercles étanches lorsque vous cuisez avec une quantité d'eau minimale.

Acier inoxydable : Seul, ce métal ne comporte pas de propriétés calorifiques intéressantes et il est généralement combiné avec le cuivre, l'aluminium et d'autres métaux afin d'améliorer la distribution de la chaleur. Les poêlons aux métaux combinés donnent de bons résultats s'ils sont utilisés à chaleur moyenne ou selon les recommandations du fabricant.

Fonte : S'ils sont chauffés lentement, la plupart des poêlons donneront des résultats satisfaisants.

Métal émaillé : Dans certaines conditions, l'émail de certains récipients de cuisson peut fondre. Suivez les recommandations du fabricant pour les méthodes de cuisson.

Verre : Il existe deux types de récipients en verre, ceux qui vont au four seulement et ceux pour la cuisson en surface (casseroles, récipients pour le café et le thé). Le verre conduit la chaleur très lentement.

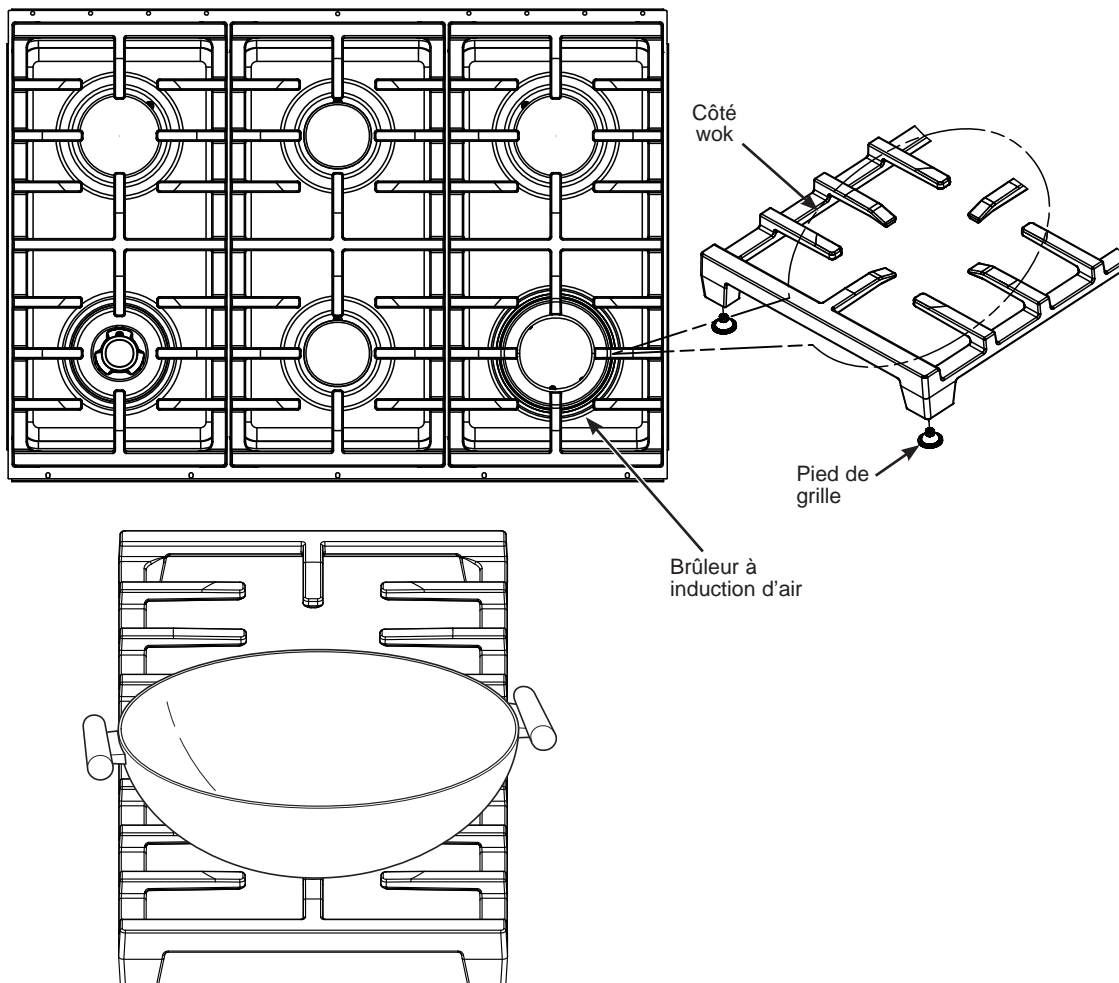
Vitrocéramique résistante à la chaleur : Elle peut s'utiliser autant pour le four qu'en surface. Sa conduction de chaleur et son refroidissement s'effectuent très lentement. Consultez les directives du fabricant du récipient pour savoir s'il convient aux cuisinières au gaz.

CUISINER AU WOK

⚠ AVERTISSEMENT

N'utilisez pas un anneau de support de wok. Placer un tel anneau au-dessus d'un brûleur ou d'une grille peut nuire au bon fonctionnement du brûleur, ce qui augmentera le niveau de monoxyde de carbone au-dessus des valeurs admissibles. Cela peut présenter un risque pour votre santé.

La grille de brûleur au-dessus du brûleur à induction d'air est conçue pour un wok à base ronde d'un diamètre de 14 po, sans nécessiter l'ajout d'un anneau. Cette grille pour wok peut aussi recevoir des grands récipients à fond plat pour la cuisson générale. Cette grille pour wok doit être située uniquement au-dessus du brûleur à induction d'air avant droit.



Utilisation de la table de cuisson

PRÉCAUTIONS DE SÉCURITÉ DE LA PLAQUE CHAUFFANTE, RÉGLAGE DE LA HAUTEUR (sur certains modèles)

▲ AVERTISSEMENT Risque d'incendie

- **Usez de prudence lors de la cuisson d'aliments gras. L'écoulement de graisse peut provoquer un incendie.**
- **Ne placez jamais un article quelconque sur la plaque chauffante lorsque celle-ci n'est pas utilisée. La chaleur des brûleurs environnants peut chauffer la plaque chauffante et provoquer un incendie.**
- **Placez et enlevez la plaque chauffante seulement lorsqu'elle est refroidie et que tous les brûleurs de surface sont éteints (OFF).**

Retirez le couvercle en métal et la planche à trancher avant d'allumer la plaque chauffante.

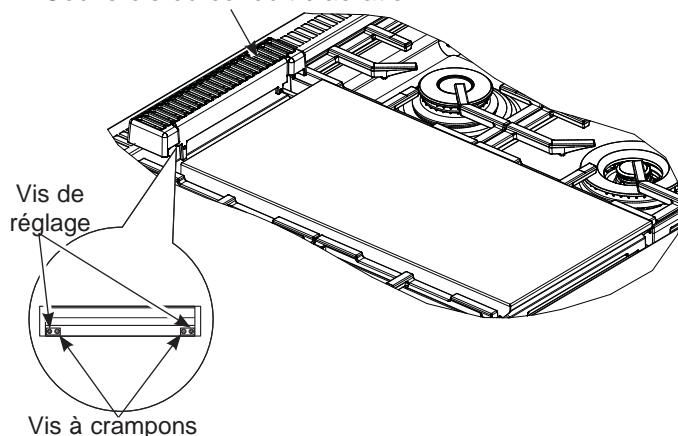
Les éléments de la plaque chauffante ne doivent pas être retirés lors de son entretien.

Une fois que le dispositif est prêt, vous pouvez régler la hauteur. Retirez le conduit d'aération en le tirant dessus à l'horizontale. Veillez à ne pas rayer les surfaces en acier inoxydable alentour lorsque vous retirez le couvercle du conduit d'aération.

Les deux vis intérieures sont des vis à crampons qui servent à maintenir la plaque en place. Desserrez ces deux vis avant de procéder au réglage de la hauteur de la plaque. **Ne retirez pas ces deux vis.**

Les deux vis extérieures sont des vis de réglage de hauteur. **Ne retirez pas ces deux vis.** Vous pouvez les desserrer pour régler la plaque ou bien pour créer une légère inclinaison par laquelle s'écouleront les huiles et les graisses lorsque vous serez en train de cuisiner. Après les premières utilisations, vous serez en mesure de déterminer l'inclinaison la plus adéquate selon les aliments que vous préparez ou selon vos préférences.

Couvercle du conduit d'aération



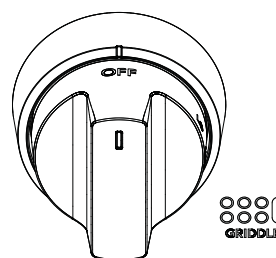
Après avoir réglé la hauteur de la plaque, resserrez les vis à crampons pour fixer la plaque dans sa position de départ. **Serrez les vis à la main, ne pas serrer excessivement.**

UTILISER LA PLAQUE CHAUFFANTE

Nettoyez la plaque chauffante soigneusement avec de l'eau savonneuse avant la première utilisation et après les utilisations subséquentes. La surface de la plaque chauffante est fabriquée avec de l'acier inoxydable de type 304 résistant, à polissage de haute précision, doublé d'une plaque en aluminium pour distribuer la chaleur uniformément. Appliquez un léger film d'huile de cuisson sur la surface de la plaque chauffante afin d'empêcher les aliments de coller.

Pour chauffer la plaque chauffante, poussez et tournez le bouton de commande jusqu'au réglage de température désiré. La lampe du cadran va s'allumer pour indiquer que la commande du thermostat fonctionne. La plaque chauffante est commandée par thermostat et peut se régler à n'importe quelle température entre 200 °F et 450 °F (93 °C à 232 °C). Laissez la grille se réchauffer durant 10 minutes avant d'y placer des aliments.

REMARQUE : Contrairement aux brûleurs de surface qui utilisent des allumeurs à étincelle, la plaque chauffante utilise un dispositif Glo-Bar pour l'allumage. Une fois le bouton de commande tourné à la température choisie, il faut environ 45 secondes pour que le gaz alimente l'allumeur et le brûleur de la plaque chauffante.



Aliment	Température
Crêpes	375°F (190°C)
Biftecks hachés	400°F (204°C)
Bacon*	400°F (204°C)
Fromage fondu	350°F (176°C)
Œufs	275°F (135°C)

***REMARQUE :** Disposez le bacon sur une plaque froide. Ne pas préchauffer.

Entretien et nettoyage

Assurez-vous que l'alimentation électrique est coupée (OFF) et que toutes les surfaces sont refroidies avant de nettoyer une partie quelconque de la cuisinière.

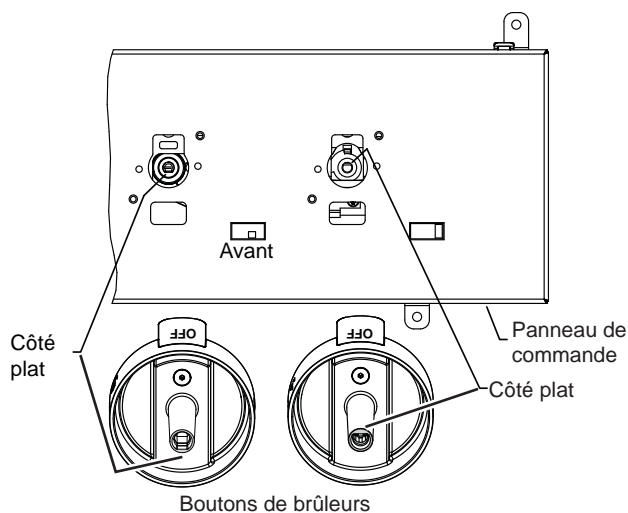
PANNEAU DE COMMANDE ET BOUTONS

Il est préférable d'essuyer le panneau de commande après chaque utilisation. Nettoyez-le avec du savon doux et de l'eau, ou du vinaigre et de l'eau, rincez à l'eau claire et séchez en polissant avec un linge doux. N'utilisez pas des nettoyeurs abrasifs, des nettoyeurs liquides corrosifs, des tampons à récurer en plastique ni des nettoyeurs pour le four sur votre panneau de commande car ils endommageront son fini.

Pour faciliter le nettoyage et à condition qu'ils soient à la position d'arrêt (OFF), vous pouvez retirer les boutons de commande en les tirant directement vers l'extérieur. Ne tirez pas les boutons vers le haut ou le bas, et ne suspendez d'objets sur eux. Cela pourrait endommager l'arbre de la soupape de gaz. Voyez la section Brûleurs de surface pour une vue détaillée de ces boutons. Vous pouvez laver les boutons à la main avec de l'eau savonneuse.

Mémoirisez la position des boutons des brûleurs lorsque vous les retirez. Les boutons ne sont pas interchangeables, il faut les placer à la même position après le nettoyage. Voyez les section sur les brûleurs de surface une vue détaillée de ces boutons. Pour remettre les boutons en place après le nettoyage, alignez le bas du bouton selon la figure ci-dessous. Poussez le bouton jusqu'à ce qu'il soit bien en place.

Utilisez un linge doux non abrasif pour nettoyer l'intérieur du bezel. Ne retirez pas le film du diffuseur. Ne l'exposez pas au risque d'endommager l'électronique de l'éclairage.



EXTÉRIEUR DE LA TABLE DE CUISSON

N'utilisez pas des nettoyeurs pour le four, des nettoyeurs abrasifs, des nettoyeurs liquides corrosifs, de la laine d'acier, des tampons à récurer en plastique ou des poudres de nettoyage sur la surface de la table de cuisson. Nettoyez avec de l'eau et du savon doux ou une solution moitié eau, moitié vinaigre. Rincez à l'eau claire et séchez avec un linge doux. Assurez-vous que les surfaces sont à température ambiante et à l'écart des rayons directs du soleil lorsque vous les nettoyez.

Les renversements de marinade, de jus de fruit, de sauce tomate et les liquides d'arrosage acides peuvent décolorer le fini de sorte qu'il faut les essuyer dès que la surface chaude refroidit. Procédez ensuite au rinçage et au nettoyage.

Acier inoxydable

N'utilisez pas de tampon à récurer en acier car ils rayeront la surface. Pour nettoyer la surface en acier inoxydable, utilisez une eau tiède savonneuse ou un nettoyeur ou poli pour acier inoxydable. Frottez toujours la surface dans la direction du grain. Suivez les instructions du fabricant du nettoyeur pour acier inoxydable. Les nettoyeurs qui contiennent de l'acide oxalique tels que Bar Keepers Friend Soft Cleanser™ vont éliminer la rouille, le ternissement et les petites taches. Utilisez uniquement un nettoyeur liquide exempt d'abrasif et frottez dans la direction des lignes de brosse à l'aide d'une éponge douce et humide. Pour vous renseigner sur l'achat de produits de nettoyage y compris ceux pour électroménagers en acier inoxydable, voyez la section Soutien au consommateur pour plus d'informations.

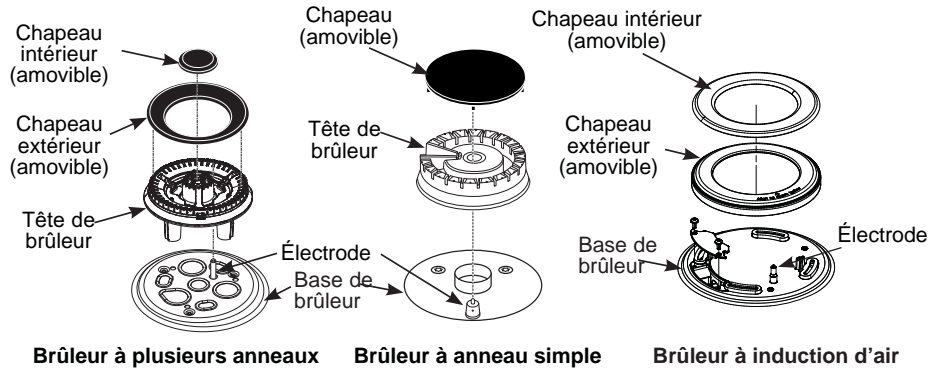
Entretien et nettoyage

BRÛLEURS ROND, À INDUCTION D'AIR ET À PLUSIEURS ANNEAUX

ATTENTION N'UTILISEZ PAS LE BRÛLEUR SI TOUS LES COMPOSANTS DU BRÛLEUR NE SONT PAS INSTALLÉS.

Les brûleurs de surface doivent être nettoyés régulièrement, en particulier après des renversements importants qui peuvent obstruer les fentes et les trous des têtes de brûleur.

L'électrode est situé à l'arrière de chaque brûleur. Ne tentez pas de démonter un brûleur ou de nettoyer autour de celui-ci pendant qu'un autre brûleur est allumé. Cela poserait un risque de choc électrique.



Pour retirer les composants du brûleur :

1. Tournez les commandes sur **OFF** avant de démonter les composants du brûleur.
2. Une fois froid, vous pouvez soulever les grilles du brûleur, les chapeaux et les têtes pour faciliter le nettoyage. **Ne retirez pas les bases.**

REMARQUE : Assurez-vous de replacer les brûleurs et les grilles dans la même position et orientation.

Nettoyage

Démontez les composants du brûleur que lorsqu'ils sont froids. Lavez à l'eau chaude et savonneuse.

Pour la nourriture carbonisée, imbiblez les têtes de brûleur dans une solution à base de détergent liquide doux et d'eau chaude pendant 20–30 minutes. Pour les taches les plus coriaces, utilisez un tampon à récurer en plastique ou une brosse à dents.

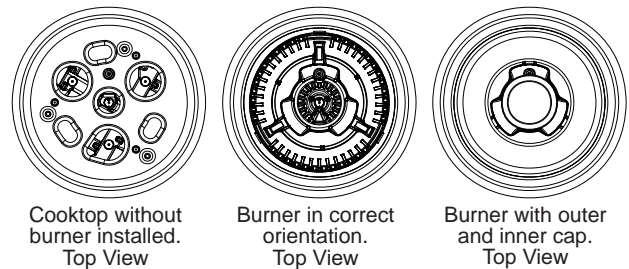
Si l'éclaboussure s'infiltré dans le tête du brûleur, lavez-la à l'eau et secouez-la pour retirer l'excès d'eau.

Après nettoyage

Avant de replacer les composants du brûleur, secouez l'excès d'eau et séchez soigneusement.

Pour remplacer les pièces d'un brûleur à plusieurs anneaux :

Alignez la tête de brûleur comme illustré. Faites passer l'allumeur à travers l'ouverture dans la tête du brûleur tout en vous assurant que la flèche de l'allumeur est orientée vers l'allumeur. Assurez-vous que le brûleur repose à plat. Installez les chapeaux en vous assurant qu'ils reposent à plat sur la tête du brûleur. Vérifiez le fonctionnement du brûleur pour vous assurer d'obtenir une flamme bleue uniforme autour du brûleur. Si vous obtenez des flammes jaunes et irrégulières, éteignez immédiatement le brûleur, laissez-le refroidir puis réajustez le brûleur et ses chapeaux.

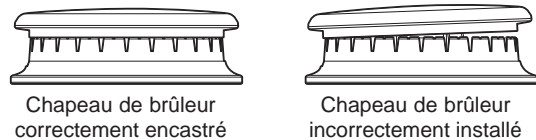


Pour remplacer les pièces du brûleur pour le brûleur rond:

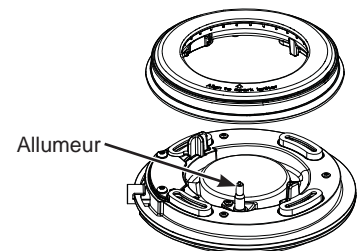
Veillez à réinstaller les composants du brûleur au même endroit.

1. Remplacez la tête du brûleur sur la base du brûleur, en veillant à ce que l'orifice de la tête soit correctement alignée sur l'électrode dans la base. C'est normal de trouver un petit espace entre la base et la tête.
2. Placez le chapeau du brûleur sur la tête. Veillez à ce que le chapeau soit encastré sur la tête du brûleur.

Pour remplacer les pièces du brûleur pour le brûleur inspiral:



Suivez les illustrations pour aligner l'allumeur à étincelles.



Entretien et nettoyage

DÉCLENCHEUR D'ÉTINCELLES ET ÉLECTRODES

L'électrode du système d'allumage électronique est placé à l'arrière de la base du brûleur. Lorsque vous nettoyez la table de cuisson, prenez soin de ne pas accrocher l'allumeur avec un chiffon doux. Vous risqueriez de l'abîmer.

Veillez à ne pas appuyer sur un bouton de commande pendant le nettoyage. L'allumeur pourrait dégager des étincelles.

Veillez à ce que les allumeurs en céramique blanche de la table de cuisson soient secs et propres. Nettoyez la partie métallique de l'électrode à l'aide d'un chiffon doux ou une lime à ongles.

N'essayez pas de retirer l'électrode de la table de cuisson.

Nettoyez la partie métallique à l'aide d'une lime à ongles.



Ne nettoyez pas la partie en céramique blanche avec la lime à ongles.

GRILLES DE BRÛLEUR

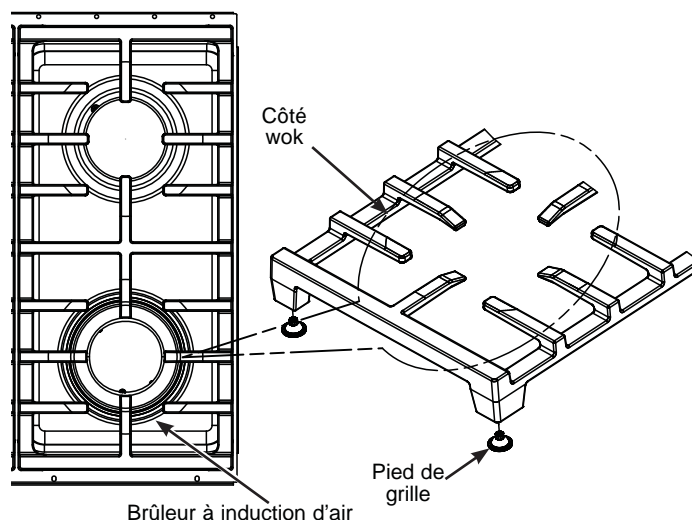
Nettoyez régulièrement les grilles de brûleur en fonte émaillée.

Lavez-les à l'eau chaude et savonneuse, rincez et séchez soigneusement.

Malgré leur robustesse, les grilles perdront progressivement de leur éclat, indépendamment de l'entretien. Ceci est dû à l'exposition permanente aux hautes températures.

Ne mettez pas un brûleur en marche pendant une période prolongée sans ustensiles sur la grille. La finition de la grille risque de s'effriter sans ustensiles pour absorber la chaleur.

For stability, the frames have rubber pads on each corner. During cleaning and use, be careful not to damage or snag rubber pads.

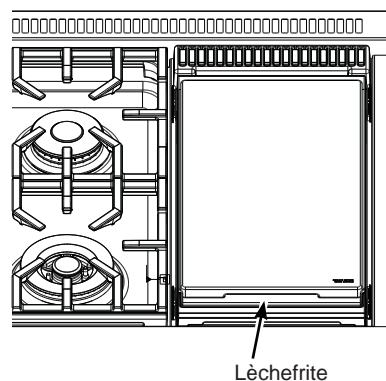


LÈCHEFRITE (sur certains modèles)

La graisse de la plaque chauffante et du grill se videra dans les lèche-frite en fonte émaillée à l'avant de l'appareil. Assurez-vous de pousser le dalot à graisse en dessous de la lèvres de la plaque chauffante afin de recueillir la graisse pendant la cuisson. Une fois les lèche-frite refroidies, vous pouvez les démonter pour les nettoyer plus facilement.

Pour démonter le lèche-frite froide de la plaque chauffante, faites-le glisser vers l'avant et soulevez-le.

Ne laissez pas la graisse s'accumuler dans les lèche-frites afin d'éviter tout risque d'incendie. Nettoyez les lèche-frites dès qu'ils sont froids. Les lèche-frites peuvent être nettoyées à la main à l'eau savonneuse et chaude ou dans le lave-vaisselle. Essayez tout déversement dans la cuve de la lèche-frite à l'aide d'un chiffon doux.



PLAQUE CHAUFFANTE (sur certains modèles)

Éliminez soigneusement la graisse et les particules de nourriture de la plaque chauffante, avec une spatule en métal à bords carrés pendant qu'elle est encore chaude.

Essuyez la plaque à l'aide d'un chiffon sec, lourd, épais pour retirer les résidus restants et les particules de nourriture. Si la plaque est nettoyée avec autre chose, elle devra être reconditionnée.

N'aspergez d'eau froide pas la plaque chauffante. La plaque risquerait de se déformer ou se fissurer.

REMARQUE : Il est normal que le grill d'acier inoxydable se décolore et prenne une teinte jaune-brun après l'utilisation.

Trucs de dépannage

Économisez du temps et de l'argent! Consultez les tableaux des pages suivantes, et vous n'aurez peut-être pas à appeler le service à la clientèle.

Problème	Cause Possible	Solution
Les brûleurs ne s'allument pas	La fiche du cordon de la cuisinière n'est pas complètement insérée dans la prise électrique.	Assurez-vous que la fiche est branchée dans une prise fonctionnelle, correctement mise à la terre.
	L'alimentation en gaz n'est pas connectée ou mise en marche.	Voyez les instructions d'installation qui accompagnent votre cuisinière.
	L'alimentation en gaz n'est pas connectée ou mise en marche.	Voyez les instructions d'installation qui accompagnent votre cuisinière.
	Un fusible de votre domicile est peut-être grillé ou le disjoncteur s'est déclenché.	Remplacez le fusible ou réenclenchez le disjoncteur.
	Les fentes du brûleur près de l'électrode sont peut-être obstruées.	Retirez les brûleurs et nettoyez-les. Vérifiez la zone de l'électrode à l'affût d'aliments ou de graisse brûlés. Voyez la section Entretien et nettoyage du four.
	Résidu d'aliment sur l'électrode.	Polissez légèrement le bout plat de l'électrode avec une lime à ongles ou un papier sablé jusqu'à ce qu'il soit brillant.
Les brûleurs du dessus ne brûlent pas uniformément	Assemblage de brûleurs incorrect.	Assurez-vous que les chapeaux de brûleur sont placés correctement. Voyez la section Entretien et nettoyage du four.
	Des fentes sur le côté du brûleur sont peut-être obstruées.	Retirez les brûleurs pour le nettoyage. Voyez la section Entretien et nettoyage du four.
Les flammes des brûleurs sont très grandes et jaunes	Mauvaise proportion d'air par rapport au gaz.	Si la cuisinière est raccordée au gaz propane, contactez le technicien qui a installé la cuisinière ou effectuez la conversion.

Garantie limitée

ElectromenegersGE.ca

Toute réparation en vertu de la garantie est réalisée dans nos Centres de réparation en usine, ou par un technicien en réparation autorisé. Pour fixer un rendez-vous en ligne, consultez notre site **ElectromenegersGE.ca/fr/soutien/demande-de-service**. Veuillez avoir votre numéro de série et votre numéro de modèle à portée de la main lors d'un appel de service.

L'entretien de votre appareil pourrait nécessiter l'utilisation d'un accès aux données embarquées pour le diagnostic. Cela permet au technicien de l'atelier de réparation CAFÉ de diagnostiquer rapidement toute défaillance de votre électroménager et à CAFÉ d'améliorer la qualité de ses produits. Si vous ne souhaitez pas transmettre les données de votre appareil à CAFÉ, veuillez aviser votre technicien de s'en abstenir au moment de la visite de service.

Durant une période de	CAFÉ remplacera
Un an depuis la date d'achat d'origine	Toute pièce défectueuse en raison d'un vice de matière ou de fabrication. Durant cette garantie limitée d'un an , CAFÉ assumera tous les frais de main-d'œuvre et de service à domicile afférents au remplacement de la pièce défectueuse.

Ce qui n'est pas couvert par CAFÉ :

- Les déplacements des techniciens à votre domicile pour vous apprendre à utiliser l'appareil.
- Décoloration de la plaque chauffante ou des grilles du four.
- Cassure des grilles porcelaine émaillée ou des grilles du four.
- Remplacement des fusibles ou réenclenchement des disjoncteurs.
- Dommages indirects liés aux éventuels dysfonctionnements de cet appareil.
- Dommages liés au transport.
- Dommages liés à un accident, incendie, inondations, catastrophes naturelles.
- Défaillance ou dommage du produit s'il est maltraité, mal utilisé, utilisé à d'autres fins que l'usage prévu, ou utilisé commercialement.
- Installation, livraison et entretien inappropriés. Si vous rencontrez un problème d'installation, contactez votre revendeur ou installateur. Il vous incombe de fournir une alimentation de gaz, électrique, une ventilation adéquats et autres raccordements comme indiqué dans les consignes d'installation fournies avec l'appareil.
- L'appareil n'est pas accessible pour fournir le service requis.

EXCLUSION DES GARANTIES IMPLICITES

Votre seul et unique recours est la réparation du produit selon les dispositions de la présente garantie limitée. Toutes garanties implicites, y compris les garanties implicites de qualité marchande et d'adéquation à un usage spécifique, sont limitées à un an ou à la plus courte période permise par la loi.

Cette garantie est offerte à l'acheteur initial et à tout propriétaire subséquent d'un produit acheté pour usage domestique aux États-Unis. Si le produit est situé dans une localité où un réparateur autorisé CAFÉ n'est pas disponible, vous pourriez encourir des frais de déplacement ou devoir acheminer le produit à un réparateur autorisé CAFÉ pour faire réparer l'appareil. En Alaska, la garantie limitée exclut les frais d'expédition et les visites de service à votre domicile. Certains États ou provinces ne permettent pas l'exclusion ou la restriction des dommages accessoires ou indirects. Cette garantie limitée vous accorde des droits particuliers, ces derniers pouvant s'accompagner d'autres droits qui varient d'un État ou d'une province à l'autre. Pour connaître la nature exacte de vos droits, consultez l'organisme de protection du consommateur de votre région, ou encore le bureau du procureur général de l'État.

Garant : GE Appliances, a Haier company
Louisville, KY 40225

Au Canada : MC Commercial Inc., Burlington, ON L7R 5B6

Prolongation de garantie : Achetez un contrat d'entretien CAFÉ et informez-vous des rabais spéciaux en vigueur pendant toute la durée de votre garantie. Vous pouvez vous le procurer en tout temps sur

electromenegersge.ca/fr/soutien/achat-d-une-garantie-prolongee

Le service après-vente CAFÉ sera toujours disponible après l'expiration de votre garantie.

Brochez votre reçu ici. Pour obtenir le service sous garantie, vous devez fournir la preuve de l'achat original.

Soutien au consommateur

Site Web de CAFÉ

Vous avez une question ou vous avez besoin d'aide pour votre appareil électroménager? Visitez le site web de CAFÉ 24 heures par jour, tous les jours de l'année! Vous pouvez aussi y trouver d'autres formidables produits CAFÉ et tirer avantage de tous nos services d'assistance en ligne. Aux États-Unis : cafeappliances.com

Au Canada : ElectromenegersGE.ca

Enregistrez votre électroménager

Enregistrez votre nouvel appareil en ligne au moment qui vous convient le mieux! L'enregistrement de votre produit dans les délais prescrits permet une meilleure communication et un service rapide, selon les modalités de votre garantie, si besoin est. Vous pouvez également envoyer par courrier la carte d'enregistrement pré-imprimée qui se trouve dans l'emballage de votre appareil. Aux États-Unis : cafeappliances.com/register

Au Canada : Produsupport.mabe.ca/crm/Products/ProductRegistration.aspx

Service de réparation

Un service de réparation expert CAFÉ se trouve à quelques pas de chez vous. Rendez-vous sur notre site et programmez, à votre convenance, une visite de réparation à n'importe quel jour de l'année.

Aux États-Unis : cafeappliances.com/service Au Canada : ElectromenegersGE.ca/fr/soutien/demands-de-service

Prolongation de garantie

Procurez-vous une prolongation de garantie CAFÉ et informez-vous des rabais spéciaux en vigueur pendant la durée de votre garantie. Vous pouvez vous la procurer en ligne en tout temps. Les services CAFÉ seront toujours disponibles après l'expiration de la garantie. Aux États-Unis : cafeappliances.com/extended-warranty

Au Canada : Electromenegersge.ca/fr/soutien/achat-d-une-garantie-prolongee

Connectivité à distance

Pour de l'assistance concernant la connectivité au réseau sans fil (pour les modèles équipés de cette fonction), visitez notre site web au cafeappliances.com/connect Au Canada : cafeappliances.ca/connect

Pièces et accessoires

Les personnes ayant les compétences requises pour réparer elles-mêmes leurs appareils peuvent recevoir directement à la maison des pièces ou accessoires (les cartes VISA, MasterCard et Discover sont acceptées). Commandez en ligne 24 heures par jour. Aux États-Unis : cafeappliances.com/parts

Les instructions contenues dans le présent manuel comportent des procédures que tout utilisateur peut effectuer. Les autres types de réparation doivent généralement être confiés à un technicien qualifié. Utilisez de prudence : une réparation ou un entretien mal effectués peuvent rendre l'utilisation de l'appareil dangereuse.

Les consommateurs au Canada doivent consulter les pages jaunes pour connaître le centre de service Mabe le plus proche, visiter notre site web au cafeappliances.ca/parts

Communiquez avec nous

Si vous n'êtes pas satisfait du service après-vente de CAFÉ, communiquez avec nous depuis notre site web en fournissant tous les détails dont votre numéro de téléphone, ou écrivez à :

Aux États-Unis : General Manager, Customer Relations | CAFÉ Appliances, Appliance Park | Louisville, KY 40225
cafeappliances.com/contact

Au Canada : Director, Consumer Relations, Mabe Canada Inc. | Suite 310, 1 Factory Lane | Moncton, N.B. E1C 9M3
ElectromenegersGE.ca/fr/contactez-nous



DISTINCT BY DESIGN™

Manual del Propietario

36" y 48" Módulos Superior de Cocina Profesional

Modelo: CGU366, CGU486

Contenido

Información de Seguridad	3	Exterior de la Cocina	11
Uso de la Superficie de Cocción		Quemadores Redondos, Espiralados y con Múltiples Anillos	12
Funciones	6	Encendedor por Chispa y Electrodo	13
En Caso de Corte de Corriente	7	Rejillas del Quemador	13
Quemadores	7	Canaletas para Grasa	14
Tensilio Sobre la Cocinae	9	Plancha	14
Cocción en Wok	9	Consejos para la Solución de Problemas	14
Plancha	10	Garantía Limitada	15
Cuidado y Limpieza		Soporte para el Consumidor	16
Panel de Control y Perillas	11		

Antes de enviar esta tarjeta, escriba estos números aquí:

Número de Modelo _____

Número de Serie _____

Los encontrará debajo del panel de control en la etiqueta de especificaciones técnicas.

Español

GRACIAS POR HACER QUE CAFÉ SEA PARTE DE SU HOGAR.

Sentimos orgullo por el nivel de arte, innovación y diseño de cada uno de los electrodomésticos de Café, y creemos que usted también. Entre otras cosas, el registro de su electrodoméstico asegura que podamos entregarle información importante del producto y detalles de la garantía cuando los necesite.

Registre su electrodoméstico Café ahora a través de Internet. Sitios web útiles están disponibles en la sección de Soporte para el Consumidor de este Manual del Propietario. También puede enviar una carta en la tarjeta de inscripción preimpresa que se incluye con el material embalado.

C A F É

DISTINCT BY DESIGN™

INFORMACIÓN IMPORTANTE DE SEGURIDAD

LEA TODAS LAS INSTRUCCIONES ANTES DE USAR ESTE ELECTRODOMÉSTICO

⚠ ADVERTENCIA Si la información de este manual no se sigue al pie de la letra, puede ocasionarse un incendio o una explosión, generando daños a la propiedad, lesiones personales o la muerte.

- No almacene o use gasolina u otros vapores o líquidos inflamables cerca de este o cualquier otro aparato.
- **QUÉ HACER SI HUELE GAS**
 - No trate de encender ningún aparato.
 - No toque ningún interruptor eléctrico; no utilice ningún teléfono en su edificio.
 - Inmediatamente llame a su proveedor de gas desde el teléfono de un vecino. Siga las instrucciones del proveedor de gas.
 - Si no puede comunicarse con el proveedor de gas, llame al departamento de bomberos.
- La instalación y servicio técnico deben realizarlos un instalador calificado, una agencia de servicio o el proveedor de gas.

⚠ ADVERTENCIA Lea todas las instrucciones de seguridad antes de utilizar este producto. No seguir estas instrucciones puede generar un incendio, una descarga eléctrica, lesiones corporales o la muerte.

⚠ ADVERTENCIA INSTRUCCIONES GENERALES DE SEGURIDAD

⚠ ADVERTENCIA NUNCA use este electrodoméstico para calentar el ambiente. Como consecuencia de esto, se podrá producir envenenamiento con monóxido de carbono.

- Use este electrodoméstico sólo para su propósito original, como se describe en el manual del propietario.
- Solicite que un instalador calificado instale su cocina y que esté correctamente conectada a tierra, de acuerdo con las instrucciones de instalación provistas.
- Cualquier ajuste y trabajo de servicio técnico deberá ser realizado únicamente por instaladores calificados de cocinas a gas o técnicos del servicio. No intente reparar o reemplazar ninguna parte de la cocina, a menos que esto se recomiende específicamente en este manual.
- Su cocina es enviada desde la fábrica configurada para uso con gas natural o con gas propano (LP). Puede ser convertida para uso con cualquiera de los dos. Si se requieren, estos ajustes deben ser realizados por un técnico calificado de acuerdo con las instrucciones de instalación y códigos locales. La agencia que realiza este trabajo asume la responsabilidad de la conversión.
- Solicite que el instalador le muestre la ubicación de la válvula de cierre de la cocina a gas y cómo apagarla en caso de ser necesario.
- Enchufe la cocina en un tomacorriente con conexión a tierra de 120 voltios únicamente. No retire la pata redonda de conexión a tierra del enchufe. Si tiene dudas sobre la conexión a tierra del sistema eléctrico para hogar, es su responsabilidad y obligación contar con el reemplazo de un tomacorriente sin conexión a tierra por un tomacorriente de tres patas correctamente conectado a tierra, de acuerdo con el Código Nacional de Electricidad. No use prolongadores con este electrodoméstico.
- Antes de realizar cualquier servicio técnico, desenchufe la cocina o desconecte el suministro de corriente desde el panel de distribución del hogar, retirando el fusible o desconectando el disyuntor.
- Asegúrese de que todos los materiales de embalaje sean retirados de la cocina antes de su uso, a fin de evitar que estos materiales se incendien.
- Evite rayar o impactar las pantallas de vidrio. Hacer esto podrá producir la rotura de vidrios. No cocine un producto con un vidrio roto. Es posible que se produzcan descargas, incendio o cortes.

LEA Y GUARDE ESTAS INSTRUCCIONES

INFORMACIÓN IMPORTANTE DE SEGURIDAD

LEA TODAS LAS INSTRUCCIONES ANTES DE USAR ESTE ELECTRODOMÉSTICO

▲ **ADVERTENCIA** INSTRUCCIONES GENERALES DE SEGURIDAD

- No deje a los niños solos o fuera de su radio de atención en el área donde el electrodoméstico se encuentre en uso. Nunca se les deberá permitir trepar, sentarse o pararse sobre ninguna parte del electrodoméstico.
- **▲ PRECAUCIÓN** No coloque artículos de interés para los niños sobre los gabinetes que están sobre un horno – si los niños se trepan sobre el horno para llegar a estos artículos podrían sufrir lesiones graves.
- Nunca bloquee las ventilaciones (aberturas de aire) del módulo superior de cocina. Éstas brindan las entradas y salidas de aire que son necesarias para que el módulo superior de cocina opere de forma correcta con la combustión adecuada. Las aberturas de aire se encuentran ubicadas en la parte trasera del módulo superior de cocina.
- Use sólo sostenedores de ollas secos – los sostenedores húmedos sobre superficies calientes pueden producir quemaduras debido al vapor. No permita que los sostenedores de ollas tengan contacto con los quemadores superficiales, la parrilla de los quemadores, o el elemento de calefacción del horno. No use una toalla u otra tela voluminosa para reemplazar el mango de las cacerolas.
- No toque el elementos calentador. Es posible que estas superficies estén demasiado calientes como para quemar, aunque su color sea oscuro. Otras superficies del electrodoméstico se podrán calentar lo suficiente como para ocasionar lesiones. Las superficies potencialmente calientes incluyen quemadores, rejillas, o superficie de estante alto.
- No caliente envases de comida que no hayan sido abiertos. Se podría acumular presión y el envase podría explotar, ocasionando una lesión.
- Cocine la comida completamente para evitar que se produzcan enfermedades a partir de la comida. Puede encontrar recomendaciones de seguridad mínima sobre la temperatura de la comida en IsItDoneYet.gov y fsis.usda.gov. Utilice un termómetro para tomar la temperatura de la comida y haga controles en diferentes ubicaciones.
- No permita que nadie se trepe, se pare ni se cuelgue sobre el módulo superior de cocina. Se podrá dañar el electrodoméstico.
- Mantenga limpia la campana del ventilador y los filtros de grasa, a fin de mantener una buena ventilación y de evitar incendios con grasa. Apague el ventilador en caso de incendio o al “encender” intencionalmente licor u otras bebidas alcohólicas de alta graduación en la superficie de cocción. Si el extractor se encuentra en funcionamiento, podrá esparcir las llamas.

▲ **ADVERTENCIA** MANTENGA LOS MATERIALES INFLAMABLES ALEJADOS DE LA COCINA

Si esto no se cumple, se podrán sufrir lesiones personales graves o incendios.

- No guarde ni use materiales inflamables en un horno o cerca de la parte superior de la cocina, incluyendo papel, plástico, sostenedores de ollas, trapos, cobertores de pared, cortinas, paños y gasolina u otros vapores y líquidos inflamables.
- No permita que la grasa de la cocción u otros materiales inflamables se acumulen en o cerca del módulo superior de cocina. La grasa sobre el módulo superior de cocina se podrá incendiar.
- Nunca use prendas holgadas o que cuelguen mientras usa el electrodoméstico. Evite acumular artículos comúnmente usados en gabinetes sobre la cocina, y tenga cuidado al extender la mano sobre la cocina. La ropa que se encuentre cerca de los quemadores o superficies calientes se podrá encender, ocasionando quemaduras graves.

LEA Y GUARDE ESTAS INSTRUCCIONES

INFORMACIÓN IMPORTANTE DE SEGURIDAD

LEA TODAS LAS INSTRUCCIONES ANTES DE USAR ESTE ELECTRODOMÉSTICO

⚠️ ADVERTENCIA EN CASO DE INCENDIO, SIGA LOS SIGUIENTES PASOS PARA EVITAR LA PROPAGACIÓN DEL FUEGO

- No use agua sobre el fuego de la grasa. Nunca tome una olla que se esté incendiando. Apague los controles. Extinga la olla que se esté incendiando sobre un quemador superficial, cubriendo la olla completamente con su tapa correspondiente, una hoja metálica de galletas o una bandeja plana. Si es necesario, use un químico seco multiuso o un extintor de chorro de espuma.

⚠️ ADVERTENCIA INSTRUCCIONES DE SEGURIDAD DE LA PARTE SUPERIOR DE LA COCINA

⚠️ ADVERTENCIA NUNCA Pierda de Vista la Sección Superior de la Superficie de Cocción de este Electrodoméstico.

- No seguir esta advertencia podrá resultar en incendio, explosión, o riesgos de quemaduras que podrán ocasionar daños sobre la propiedad, lesiones personales o la muerte.

- Si se produce un incendio, manténgase alejado del electrodoméstico y de inmediato llame al departamento de bomberos. **NO INTENTE EXTINGUIR CON AGUA UN INCENDIO PRODUCIDO CON COMBUSTIBLE/ GRASA.**

- Nunca pierda de vista el aceite cuando esté friendo. Si se calienta más allá de su punto de cocción, el aceite se puede quemar y provocar un incendio que se puede propagar a los gabinetes próximos. Use un termómetro para grasas profundas siempre que sea posible, a fin de monitorear la temperatura del aceite.
- Para evitar derrames e incendios, use una cantidad mínima de aceite al usar una sartén poco profunda y evite la cocción de comidas congeladas con cantidades excesivas de hielo.

- Use el tamaño de olla adecuado para evitar que sean inestables o que sufran caídas fácilmente. Seleccione utensilios que coincidan con el tamaño del quemador. Las llamas del quemador se deberán ajustar de modo que no se extiendan más allá de la parte inferior de la olla. Una cantidad excesiva de llama puede representar un riesgo.
- Siempre use la posición LITE al encender los quemadores superiores y asegúrese de que estos se hayan encendido.
- Al usar utensilios de vidrio/ cerámica, asegúrese de que sean adecuados para el servicio de cocina; otros se podrán romper debido a un cambio repentino de temperatura.
- A fin de minimizar posibles quemaduras, incendio de materiales inflamables y derrames, la manija de un envase deberá ser inclinada hacia el centro de la cocina sin que se extienda sobre los quemadores cercanos.
- No use un wok con un anillo con soporte de metal redondo. El anillo podrá atrapar calor y bloquear el aire hacia el quemador, produciendo el riesgo de emisión de monóxido de carbono.
- No intente elevar la cocina. Hacer esto podría dañar la tubería de gas hasta los quemadores superficiales, ocasionando una pérdida de gas y riesgo de incendio.
- No use papel de aluminio para cubrir rejillas cualquier parte de la cocina. Si se hace esto se podrá producir envenenamiento con monóxido de carbono, sobrecalentamiento de las superficies de la cocina o un posible riesgo de incendio.

Cómo Retirar la Película Protectora de Envío y la Cinta de Embalaje

Con cuidado tome un extremo de la película protectora de envío con los dedos y lentamente retire la misma de la superficie del electrodoméstico. No utilice ningún producto filoso para retirar la película. Retire toda la película antes de usar el electrodoméstico por primera vez.

Para asegurar que no haya daños sobre el acabado del producto, la forma más segura de retirar el adhesivo de la cinta de embalaje en electrodomésticos nuevos es aplicando un detergente líquido hogareño para lavar platos. Aplique con una tela suave y deje que se seque.

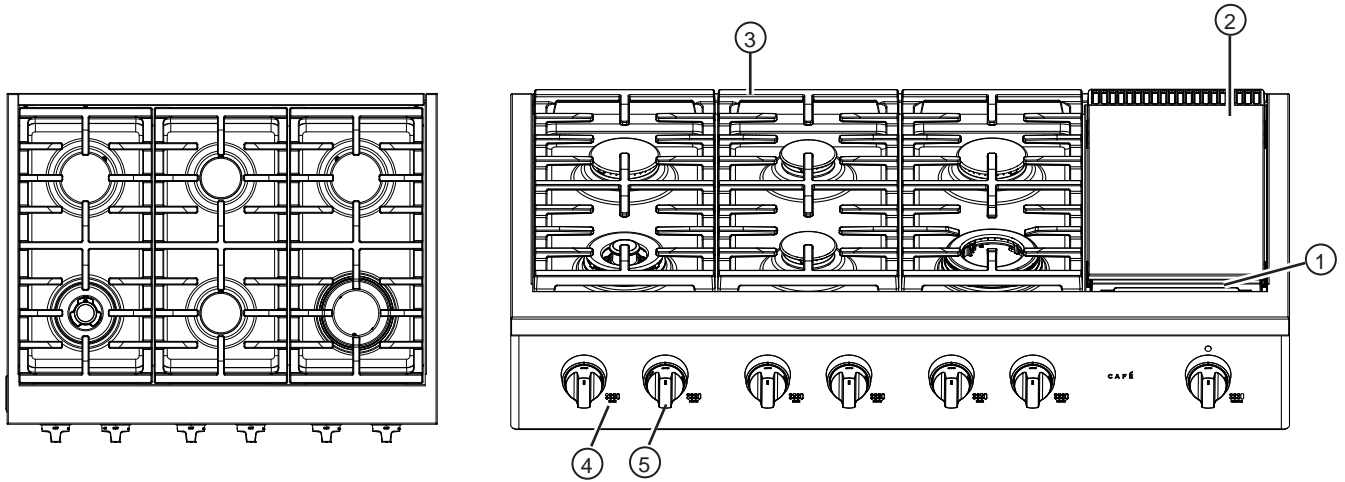
NOTA: El adhesivo deberá ser eliminado de todas las partes. No se puede retirar si se hornea con éste dentro.

LEA Y GUARDE ESTAS INSTRUCCIONES

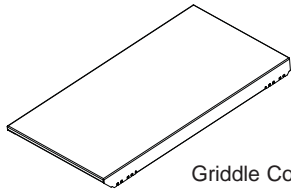
Utilizando la Rango

FUNCIONES

(No todas las características se encuentran en todos los modelos. La apariencia puede cambiar).



	Índice de funciones	Página
1	Canaleta para grasa de la parrilla y plancha (en algunos modelos)	13
2	Plancha (en algunos modelos)	10,13
3	Rejillas de los quemadores de la estufa	13
4	Indicador de ubicación del quemador	
5	Perilla de control	7,8,11



Griddle Cover

	Accesorios Opcionales	Página
1	Tapas de la parrilla y de la plancha	

Uso de la Superficie de Cocción

EN CASO DE CORTE DE CORRIENTE

En el caso de un corte de luz, los quemadores superficiales se podrán encender con un fósforo. Con extremo cuidado, sostenga un fósforo encendido cerca de los puertos debajo de la tapa del quemador superficial; luego de forma lenta gire

la perilla hasta la posición LITE (Bajo). Una vez encendidos, los quemadores superficiales continuarán funcionando normalmente.

QUEMADORES DE LA SUPERFICIE DE COCCIÓN

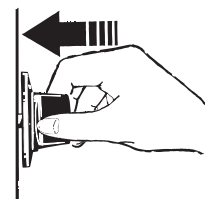
Iluminación de un Quemador Superficial

⚠ ADVERTENCIA Los quemadores sólo deben ser usados cuando estén cubiertos por los utensilios. Las llamas de los quemadores que no estén cubiertas por el utensilio presentan un riesgo de incendio o incendio de telas. Nunca permita que las llamas se extiendan más allá de los costados del utensilio. Si esto no se cumple, se podrán producir lesiones graves.

Asegúrese de que todos los quemadores estén en sus ubicaciones correspondientes y que estén totalmente ensamblados antes de usar cualquiera de estos.

Seleccione un quemador y busque su perilla de control. Empuje y gire la perilla hasta la posición LITE.

Escuchará un ruido de clic – el sonido de la chispa eléctrica que enciende el quemador. Cuando un quemador se gire a LITE, todos los quemadores generarán chispas. El chispeo continuará mientras la perilla permanezca en LITE. Una vez encendido el gas, gire la perilla para ajustar el tamaño de la llama.



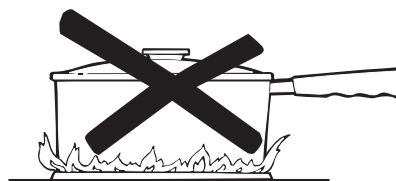
Empuje el mango de control y gire el mismo hasta la posición LITE.

Reencendido Automático (en algunos modelos)

Los quemadores de esta cocina se volverán a iluminar automáticamente si la llama se apaga.

Selección del Tamaño de la Llama

Observe la llama, no la perilla, a medida que reduce el calor. Cuando se desee calentar de forma rápida, el tamaño de la llama de un quemador deberá ser equivalente al tamaño del utensilio de cocina que esté usando. Cuando las llamas sean más grandes que la parte inferior del utensilio de cocina, no calentarán el utensilio más rápido y podrían ser riesgosas.



Estas llamas son demasiado grandes para la olla.

Uso de los Quemadores

NOTAS:

- No utilice el quemador durante un período de tiempo prolongado sin un utensilio de cocina sobre la parrilla. El acabado de la parrilla se puede resquebrajar si no hay un utensilio de cocina que absorba el calor.
- No intente desensamblar un quemador mientras otro quemador está encendido. Es posible que se produzca una descarga eléctrica, lo cual podría hacer que vuelque un utensilio de cocina caliente.
- Asegúrese de que los quemadores y las parrillas estén fríos antes de colocar la mano, tomar el mango de una olla, trapos de limpieza u otros materiales sobre estos.

Su horno cuenta con quemadores de gas sellados que ofrecen conveniencia, higiene y flexibilidad para una amplia variedad de aplicaciones de cocción.

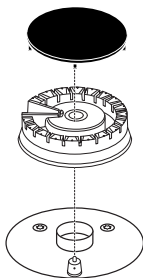
Uso de la Superficie de Cocción

QUEMADORES DE LA SUPERFICIE DE COCCIÓN

Tipos de Quemadores de la Superficie de Cocción

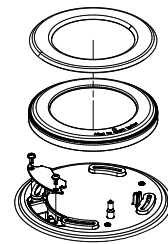
Quemador Redondo

Use este quemador para propósitos de cocción generales. Adapte el utensilio de forma proporcional a las llamas.



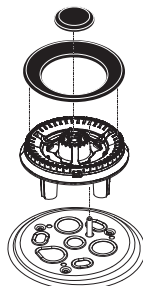
Quemador Espiralado

Use este eficiente quemador de cocción hacia adentro, ideal para utensilios de tamaño mediano y grande y para la cocción con wok; pero no es ideal para comidas delicadas.



Quemador de Anillos Múltiples:

Use este quemador para utensilios grandes o aplicaciones para hervir.



Quemador Espiralado

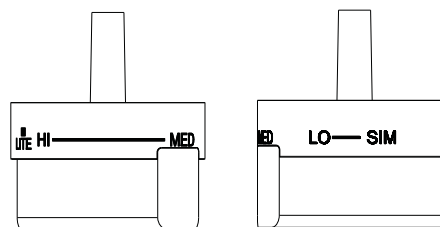
El quemador espiralado utiliza un patrón de llama hacia adentro, brindando un calor más parejo sobre la parte inferior de la olla, así como también una mayor eficacia en relación al calor. Ideal para utensilios medianos y grandes y para la cocción con wok, pero no es ideal para hervir a fuego lento comidas delicadas.

Los quemadores espiralados producirán la mayor cantidad de calor cuando se encuentren en la posición alta, y luego reducirán la cantidad de calor al pasar a la posición de hervir lento. El quemador cuenta con una tapa de cobre esmaltada y una tapa negra esmaltada alternativa.

Quemador de Anillos Múltiples

El Quemador de Anillos Múltiples cuenta con un anillo interior y otro exterior de llamas. Para utensilios grandes, active todos los anillos configurando el quemador entre Hi (Alto) y Med (Medio).

Para utensilios pequeños o aplicaciones con poco calor, sólo active los anillos internos configurando el quemador entre Lo (Bajo) y Sim (Hervor a Fuego Lento).



Vista Superior de la Perilla del Quemador de Anillos Múltiples.

Uso de la Superficie de Cocción

UTENSILIO SOBRE LA COCINA

Aluminio: Se recomienda un utensilio de peso mediano, ya que calienta de forma rápida y pareja. La mayoría de las comidas se doran de forma pareja en un sartén de aluminio. Use cacerolas con tapa hermética cuando cocine con cantidades mínimas de agua.

Acero Inoxidable: Este metal posee propiedades de calentamiento limitadas y normalmente se combina con cobre, aluminio u otros materiales para una mejor distribución del calor. Los sartenes con combinación de metales normalmente funcionan de forma satisfactoria si se usan con calor medio, como lo recomienda el fabricante.

Hierro Forjado: Si cocinará de forma lenta, la mayoría de los sartenes le darán resultados satisfactorios.

Utensilios de esmalte: Bajo ciertas condiciones, el esmalte de algunos utensilios de cocina se pueden derretir. Siga las recomendaciones sobre métodos de cocción del fabricante de utensilios de cocina.

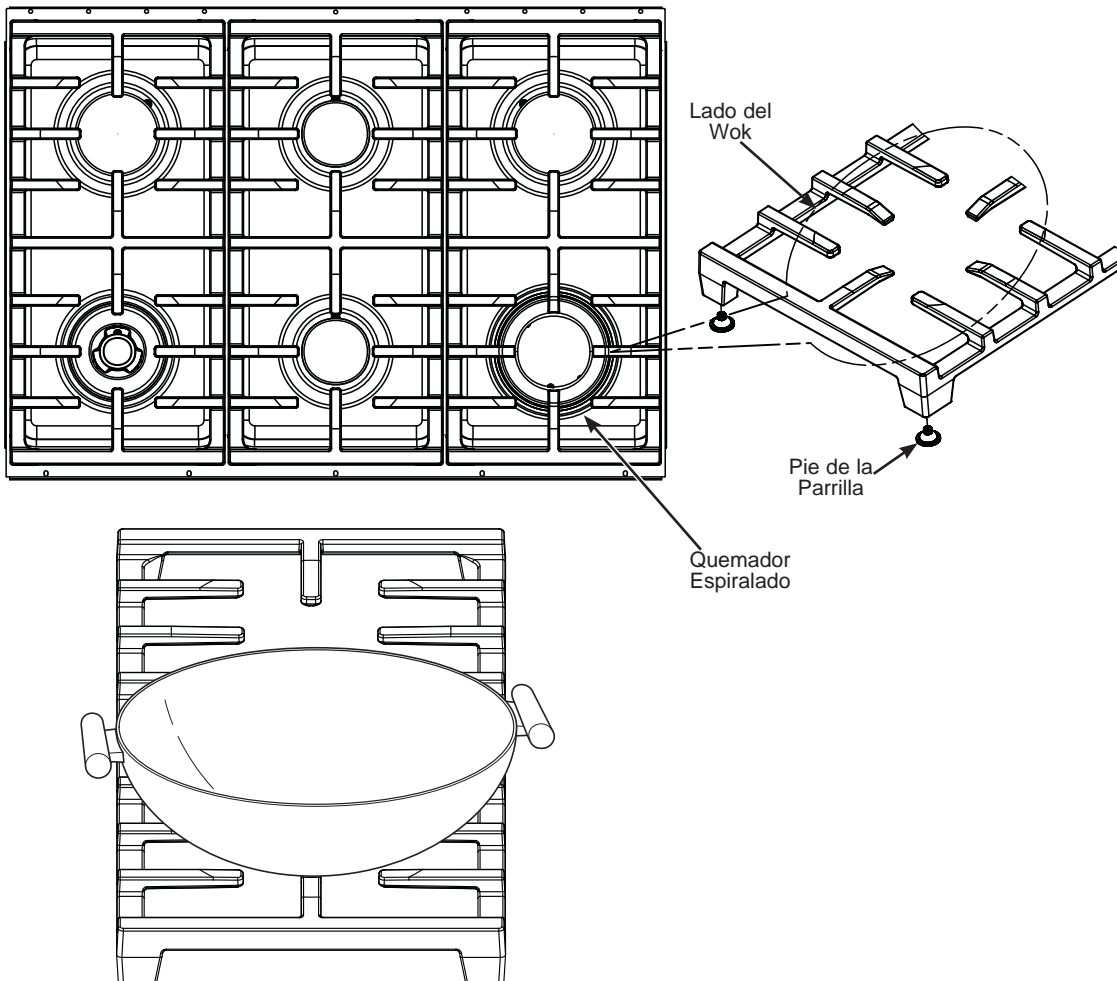
Vidrio: Existen dos tipos de utensilios de cocina de vidrio – aquellos para uso con el horno únicamente y aquellos para la cocción en la parte superior de la cocina (cacerolas, café y teteras). Los conductores de vidrio calientan de forma muy lenta.

Cerámica de Vidrio Resistente al Calor: Se pueden usar para cualquier superficie o para cocción en el horno. Conduce el calor de forma muy lenta y se enfría de forma muy rápida. Consulte las instrucciones del fabricante de utensilios de cocina para saber con seguridad si se puede usar con cocinas a gas.

Cocción en Wok

⚠ ADVERTENCIA No use un anillo de soporte para wok. Colocar el anillo sobre el quemador o parrilla podrá hacer que el quemador funcione de forma inadecuada, produciendo niveles de monóxido de carbono que superan los estándares permitidos. Esto puede ser peligroso para su salud.

La parrilla de los quemadores sobre el quemador espiralado acomoda los tamaños de wok de entre 14" y 16" de diámetro, sin la necesidad de contar con un anillo aparte. Las ollas con fondo grande y plano también se podrán usar en la parrilla para wok en cocciones generales. Esta parrilla para wok sólo se deberá ubicar sobre el quemador espiralado frontal derecho.



Uso de la Superficie de Cocción

PRECAUCIONES DE SEGURIDAD Y NIVELACIÓN DE LA PLANCHA (en algunos modelos)

⚠ ADVERTENCIA Riesgo de Incendio

- Tenga cuidado al cocinar comidas con grasa. La grasa esparcida puede provocar un incendio.
- Nunca coloque ni guarde un artículo en la plancha, incluso cuando no esté en uso. El calor de los demás quemadores puede calentar la plancha y provocar un incendio.
- Coloque y retire la plancha sólo cuando todas las parrillas y la plancha estén frías y todas las unidades superficiales estén en OFF (Apagado).

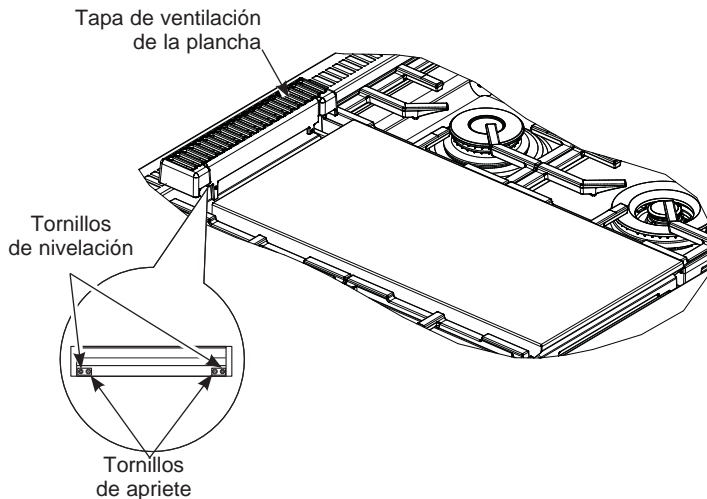
Quite la tapa de metal y la tabla para cortar antes de encender la plancha.

La ensambladura de la plancha no debe quitarse para la limpieza.

Una vez que la unidad se encuentra en su posición, la plancha puede nivelarse. Quite la tapa de ventilación levantándola hacia arriba. Asegúrese de no rayar las superficies de acero inoxidable cercanas mientras quita la tapa de ventilación.

Los dos tornillos internos son tornillos de apriete para asegurar la plancha en su lugar. Afloje los dos tornillos antes de nivelar. **No quite estos dos tornillos.**

Los dos tornillos exteriores son tornillos de nivelación. **No quite estos dos tornillos.** Pueden girarse para nivelar la plancha o para brindar una inclinación hacia adelante para que las grasas y aceites se escurran de los alimentos que se están cocinando. Después de los primeros usos, usted podrá juzgar la inclinación que mejor se ajuste a los alimentos que está cocinando y a su preferencia personal.



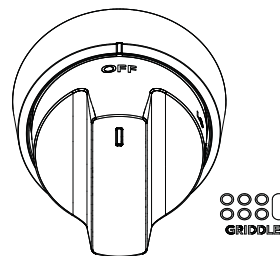
Después de nivelar la plancha, ajuste los tornillos de apriete para asegurar la plancha en su lugar. **Ajuste los tornillos a mano; no ajuste de más.**

CÓMO USAR LA PLANCHA

Limpie la plancha completamente con agua caliente y jabón antes del primer uso y luego de usos subsiguientes. La superficie de la plancha es de acero inoxidable Tipo 304 altamente pulido y duradero, reforzado con una placa de aluminio para una distribución pareja del calor. Aplique una capa fina de aceite de cocina sobre la superficie de la plancha, a fin de evitar que la comida se pegue.

Para calentar la plancha, presione y gire la perilla de control hasta la configuración de temperatura deseada. La luz del engaste brillará para indicar que el control del termostato se encuentra en funcionamiento. La plancha es controlada por termostato y puede ser configurada para mantener cualquier temperatura entre 200°F y 450°F. Espere hasta que la plancha se precaliente durante 10 minutos antes de colocar comida en la misma.

NOTA: A diferencia de los quemadores de la superficie, los cuales usan encendido a chispa, la plancha usa un encendido por incandescencia (Glo-Bar). El gas fluye hasta el quemador de la plancha y el encendido se produce aproximadamente 45 segundos después de que la perilla de control es girada hasta la temperatura configurada.



Alimento	Configuración de temperatura
Panqueques	375°F
Hamburguesas	400°F
Tocino*	400°F
Queso asado	350°F
Huevos	275°F

*NOTA: Coloque el tocino sobre una plancha fría. No la precaliente.

Cuidado y Limpieza

Asegúrese de que la corriente eléctrica esté apagada y que todas las superficies estén frías antes de limpiar cualquier parte de la cocina.

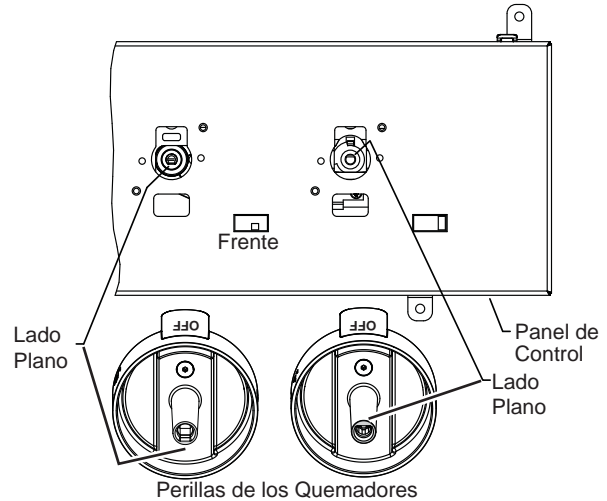
PANEL DE CONTROL Y PERILLAS

Una buena idea es limpiar el panel de control luego de cada uso. Limpie con un jabón suave y agua o vinagre y agua, enjuague con agua limpia y pule en seco con una tela suave. No use limpiadores abrasivos, limpiadores líquidos fuertes, almohadillas para fregar de plástico ni limpiadores de horno en el panel de control, ya que estos dañarán el acabado.

Para una limpieza más fácil, las perillas de control se podrán retirar empujando las mismas directamente hacia afuera, una vez que éstas se encuentren en la posición OFF (Apagado). No empuje las perillas hacia arriba o abajo ni cuelgue objetos de las mismas. Esto podrá dañar el eje de la válvula de gas. Para una vista detallada de estas perillas, consulte la sección de Quemadores de la Superficie de Cocción. Las perillas se podrán lavar de forma manual con agua y jabón.

Al retirar las perillas de los quemadores, recuerde sus ubicaciones. Las perillas no son intercambiables, y se deberán colocar en la misma ubicación luego de su limpieza. Para una vista detallada de estas perillas, consulte la sección de Quemadores de la Superficie de Cocción. Para reemplazar las perillas luego de la limpieza, alinee la parte inferior de la perilla con la orientación del perno de enlace hacia el eje dentro del engaste. Presione la perilla hasta que quede completamente apoyada.

Use una tela suave y no abrasiva para limpiar el interior del engaste. No retire la película del difusor. Evite la exposición a la humedad, ya que ésta dañará los componentes electrónicos de la iluminación.



EXTERIOR DEL MÓDULO SUPERIOR DE COCCIÓN

No use limpiadores de horno, limpiadores abrasivos, limpiadores líquidos fuertes, estropajos de acero, almohadillas para fregar de plástico, ni polvos limpiadores sobre la superficie de la cocina. Limpie con un jabón suave y agua o una solución que sea mitad de vinagre y mitad de agua. Enjuague con agua limpia y seque con una tela seca. Al limpiar superficies, asegúrese de que estén a temperatura ambiente y fuera del contacto con la luz solar.

El derrame de adobo, jugos de fruta, salsas de tomate y líquidos para rociar que contengan ácidos pueden ocasionar descoloración y se deberán limpiar en cuanto las superficies calientes se enfríen, y luego se deberán enjuagar.

Acero Inoxidable

No use una viruta de acero; ésta dañara la superficie. Para limpiar la superficie de acero inoxidable, use agua tibia con jabón o un limpiador o pulidor para acero inoxidable. Siempre limpie la superficie en la dirección del veteado. Siga las instrucciones del limpiador para limpiar la superficie de acero inoxidable. Los limpiadores con ácido oxálico tales como Bar Keepers Friend Soft Cleanser™ eliminarán el óxido, deslustres y pequeñas manchas. Use sólo un limpiador líquido libre de material abrasivo y frote en la dirección de las líneas del cepillo con una esponja suave y húmeda. Para realizar consultas sobre la adquisición de productos de limpieza, incluyendo limpiadores o pulidores para electrodomésticos de acero inoxidable, consulte la sección de Soporte al Consumidor para más información.

Cuidado y Limpieza

Quemadores Redondos, Espiralados y con Múltiples Anillos

⚠ PRECAUCIÓN

NO UTILICE EL QUEMADOR SIN TODAS LAS PIEZAS EN SU LUGAR.

Los quemadores de la superficie de cocción se deberán limpiar de forma rutinaria, especialmente luego de grandes derrames, los cuales podrán atascar las ranuras y agujeros de las cabezas de los quemadores.

El electrodo se encuentra ubicado en la parte trasera de cada quemador. No intente desensamblar ni limpiar un quemador mientras otro quemador está encendido. Se podrá producir una descarga eléctrica.

Para quitar las piezas del quemador:

1. Gire todos los controles a **OFF (apagado)** antes de quitar piezas de los quemadores.
2. Cuando se enfríen, usted puede levantar las rejillas, las tapas y los cabezales del quemador para efectuar una limpieza más sencilla. No quite las bases de los quemadores.

NOTA: Asegúrese de reemplazar los quemadores y parrillas en la misma ubicación y orientación.

Limpieza

Quite todas las piezas del quemador sólo cuando estén frías. Lávelas en agua caliente jabonosa.

Para remover alimentos quemados y pegados, deje en remojo los cabezales de los quemadores en una solución de detergente líquido suave y agua caliente durante 20-30 minutos. Para manchas más rebeldes, utilice una almohadilla plástica o un cepillo de dientes.

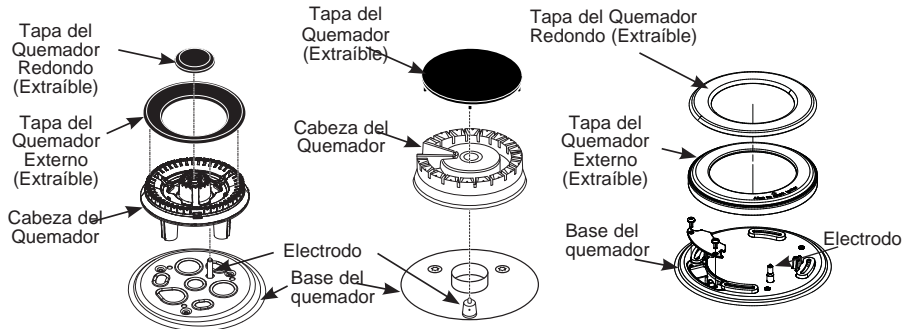
Si el derrame ingresa a la ensambladura del cabezal del quemador, lávela bajo agua corriente y agítela para remover el exceso de agua.

Después de la limpieza

Después de reemplazar las piezas del quemador, agítelas para quitar el exceso de agua y luego séquelas bien.

Para reemplazar las piezas del quemador de Anillos Múltiples:

Alinee la cabeza del quemador como se muestra. Pase el encendedor a través de la abertura de la cabeza del quemador, mientras se asegura de que la flecha del encendedor esté apuntando hacia el encendedor. Asegúrese de que el quemador esté apoyado de forma plana. Instale las tapas de los quemadores con cuidado, a fin de controlar que estén apoyadas de forma plana sobre la cabeza del quemador. Controle el funcionamiento de los quemadores, asegurando que la llama sea uniforme y azul en torno al quemador. En caso de que haya llamas amarillas o desparejas, de forma inmediata apague el quemador, espere hasta que se enfríe y vuelva a ajustar el quemador y su tapa.



Quemador de múltiples anillo

Quemador con Doble Llama Apiada

Quemador Espiralado

Para reemplazar las partes del quemador por quemador redondo:

Asegúrese de que las piezas de los quemadores se coloquen en los lugares correctos.

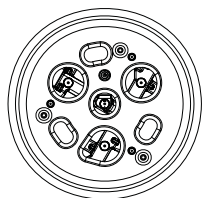
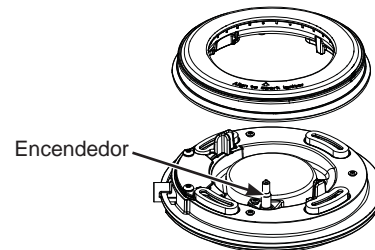
1. Reemplace el cabezal del quemador sobre la base del quemador, verificando que el orificio del cabezal se encuentre bien alineado con el electrodo de la base. Un espacio pequeño entre la base y el cabezal resulta normal.
2. Coloque la tapa del quemador sobre el cabezal del quemador. Verifique que la tapa del quemador esté bien colocada sobre el cabezal del quemador.

Para reemplazar las partes del quemador por quemador inspiral:

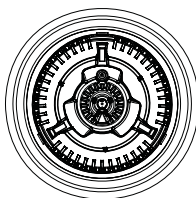


Tapa del quemador bien colocada Tapa del quemador mal colocada

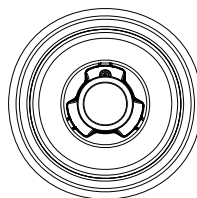
Siga los gráficos para alinear el encendedor a chispa.



Superficie de cocción sin quemador instalado Vista Superior



Quemador en la orientación correcta Vista Superior



Quemador con tapa exterior e interior Vista Superior

Cuidado y Limpieza

ENCENDEDOR POR CHISPA Y ELECTRODOS

El electrodo del sistema de encendido electrónico se encuentra ubicado en la parte trasera de la base del quemador. Cuando limpie la estufa, tenga cuidado de no enganchar el encendedor con el paño de limpieza. El encendedor podría dañarse.

Tenga cuidado de no empujar la perilla de control hacia adentro mientras realiza la limpieza. Podría provocar el accionamiento del encendedor por chispa.

Asegúrese de que los encendedores de cerámica blancos ubicados sobre la estufa estén secos y limpios. Limpie la porción de metal del electrodo con un paño suave o una lija.

No trate que quitar el electrodo de la estufa.

Limpie esta parte de metal con una lija.



No limpie esta parte de cerámica blanca con una lija.

REJILLAS DEL QUEMADOR

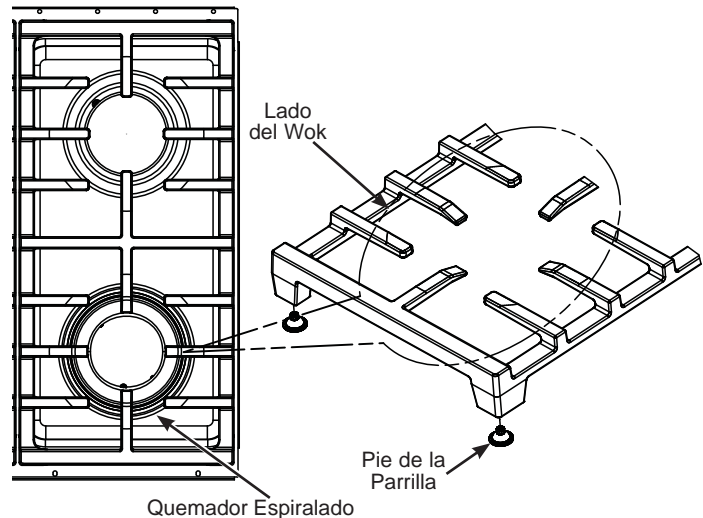
Las rejillas del quemador de hierro fundido esmaltado deben limpiarse regularmente.

Lávalos en agua caliente jabonosa, enjuague y seque bien.

A pesar de ser resistentes, las rejillas gradualmente irán perdiendo el brillo, aunque les brinde el mayor cuidado. Esto se debe a su exposición continua a altas temperaturas.

No haga funcionar el quemador durante un período prolongado sin recipientes de cocción sobre la rejilla. El acabado de la rejilla puede saltarse sin un recipiente que absorba el calor.

Para estabilidad, los armazones cuentan con almohadillas de goma en cada esquina. Durante la limpieza y el uso, tenga cuidado de no dañar o enganchar las almohadillas de goma.

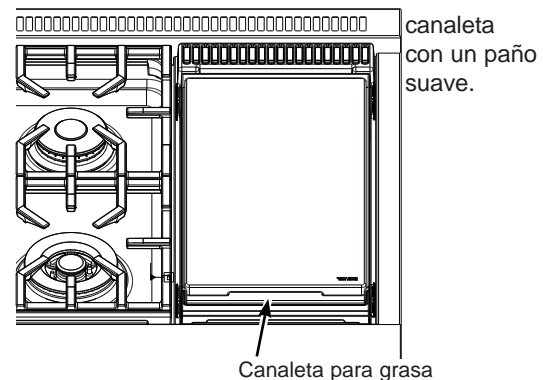


CANALETAS PARA GRASA (en algunos modelos)

La grasa de la plancha será drenada a la canaleta para grasa de hierro fundido, ubicada en el frente de la cocina. Asegúrese de empujar la fosa de grasa por debajo del borde de la plancha, a fin de atrapar la grasa mientras cocina. Una vez que la fosa se haya enfriado, se podrá extraer para una limpieza más fácil.

Para quitar la canaleta para grasa fría de la plancha, deslícela hacia el frente y levántela.

No permita la acumulación de grasa en las canaletas porque pueden generar un peligro de incendio. Limpie las canaletas para grasa tan pronto como se enfríen. Las canaletas para grasa pueden limpiarse a mano con agua caliente jabonosa o en el lavaplatos. Limpie cualquier derrame del tazón de la



PLANCHA (en algunos modelos)

Quite bien la grasa y las partículas de comida de la plancha utilizando una espátula de metal de lados rectos, mientras todavía esté caliente.

Limpie la plancha con un paño seco, resistente y grueso para eliminar los residuos restantes y partículas de alimentos. Si la plancha se limpia con otro elemento que no sea un paño seco, resistente y grueso, ésta tendrá que volver a curarse.

Nunca llene la plancha caliente con agua fría. Esto podría quebrar o torcer la plancha.

NOTA: Es normal que la plancha en acero inoxidable se ponga de color amarillo-café después del uso.

Consejos para la Solución de Problemas

¡Ahorre tiempo y dinero! Primero revise los cuadros que aparecen en las siguientes páginas y es posible que no necesite solicitar reparaciones.

Problema	Causa Posible	Qué Hacer
El quemador no se enciende	El enchufe en la cocina no está completamente insertado en el tomacorriente eléctrico.	Asegúrese de que el cable de electricidad esté enchufado en un tomacorriente correctamente conectado a tierra.
	El suministro de gas no fue conectado o encendido.	Consulte las Instrucciones de Instalación provistas con su cocina.
	Es posible que un fusible de su hogar se haya quemado o que el disyuntor se haya desconectado.	Reemplace el fusible o reinicie el disyuntor.
	Las piezas del quemador no fueron reemplazadas correctamente.	Lea la sección Cuidado y limpieza de la cocina.
	Es posible que las hendiduras de los quemadores, o el puerto del encendedor redondo en el quemador oval, estén atascados.	Retire los quemadores o limpie los mismos. Controle que no haya comida quemada ni grasa en el área del electrodo. Lea la sección de Cuidado y Limpieza de la cocina.
	Residuos de comida en el electrodo	Suavemente pula el extremo plano del electrodo con una lima de uñas o con una lija hasta que quede brillante.
Los quemadores superiores no queman de forma pareja	Ensamble del quemador inapropiado.	Asegúrese de que las tapas de los quemadores estén instaladas correctamente. Consulte Cuidado y limpieza en la sección de la cocina.
	Las hendiduras al costado del quemador se podrán atascar.	Retire los quemadores para su limpieza. Consulte la sección de Cuidado y limpieza de la cocina.
Llamas de los quemadores son muy grandes o amarillas	Promedio inadecuado de aire a gas.	Si la cocina es conectada a gas Propano, contacte al técnico que instaló la cocina o que hizo la conversión.

Garantía Limitada

cafeappliances.com

Todo el servicio de garantía es provisto por nuestros Centros de Servicio de Fabricación, o un técnico de servicio autorizado. Para programar una visita del servicio técnico a través de Internet, visítenos en cafeappliances.com/service. Tenga listo el número de serie y número de modelo cuando programe el servicio.

Para realizar el servicio técnico de su electrodoméstico, se podrá requerir el uso de datos del puerto de abordaje para su diagnóstico. Esto da al técnico del servicio de fábrica de Café la habilidad de diagnosticar de forma rápida cualquier problema con su electrodoméstico, y de ayudar a Café a mejorar sus productos al brindarle a Café la información sobre su electrodoméstico. Si no desea que los datos de su electrodoméstico sean enviados a Café, solicitamos que le indique a su técnico no entregar los datos a Café en el momento del servicio.

Por el Período de	Café reemplazará
Un Año Desde la fecha de la compra original	Cualquier parte de la cocina que falle debido a un defecto en los materiales o la fabricación. Durante esta garantía limitada de un año , Café también proveerá, sin costo , todo el trabajo y el servicio en el hogar para reemplazar la parte que presente defectos.

Qué no cubrirá Café:

- Visitas a su hogar para enseñarle a usar el producto.
- Decoloración de la placa de la plancha o de las bandejas del horno.
- Saltado de las rejillas de esmalte de porcelana o de las bandejas del horno.
- Reemplazo de fusibles domésticos o la reconfiguración de los interruptores de circuito.
- Daños incidentales o resultantes provocados por posibles defectos de este aparato.
- Daños provocados después de la entrega.
- Daños al producto provocados por accidentes, incendios, inundaciones o fuerza mayor.
- Fallas del producto si se utiliza para un objetivo diferente del previsto o si se usa en forma comercial.
- Instalación, entrega o mantenimiento inadecuados.
Si tiene un problema con la instalación, comuníquese con su vendedor o instalador. Usted es responsable de suministrar adecuadas instalaciones eléctricas, de gas, de salida y otras conexiones como se describe en las Instrucciones de Instalación incluidas con el producto.
- Producto no accesible para prestar el servicio técnico solicitado.

EXCLUSIÓN DE GARANTÍAS IMPLÍCITAS

Su única y exclusiva alternativa es la reparación del producto, como se indica en la Garantía Limitada. Las garantías implícitas, incluyendo garantías implícitas de comerciabilidad o conveniencia sobre un propósito particular, se limitan a un año o al período más corto permitido por la ley.

Esta garantía limitada se extiende al comprador original y a cualquier propietario posterior de los productos comprados para uso doméstico dentro de EE. UU. Si el producto está en un área donde no se encuentra disponible un Proveedor Autorizado del Servicio Técnico de Café, usted será responsable por el costo de un viaje o se podrá requerir que traiga el producto a una ubicación del Servicio Técnico de Café autorizado para recibir el servicio. En Alaska, la garantía limitada excluye el costo de envío o visitas de servicio a su domicilio. Algunos estados no permiten la exclusión o limitación de daños fortuitos o consecuentes. Esta garantía limitada le otorga derechos legales específicos, y usted también podría tener otros derechos que varían de estado a estado. Para conocer cuáles son sus derechos legales, consulte a la oficina de asuntos del consumidor local o estatal o al Fiscal de su estado.

Garante: GE Appliances, a Haier company
Louisville, KY 40225

Canada : MC Commercial Inc., Burlington, ON L7R 5B6

Garantías Extendidas: Adquiera una garantía extendida de Café y conozca los descuentos especiales que están disponibles mientras su garantía aún está vigente. Puede acceder a la misma a través de Internet en cualquier momento en

cafeappliances.com/extended-warranty

Los Servicios para los Café aún estarán disponibles cuando su garantía caduque.

Abroche su recibo aquí. Para acceder al servicio técnico de acuerdo con la garantía deberá contar con la prueba de la fecha original de compra.

Soporte para el Consumidor

Sitio Web de Café

¿Desea realizar una consulta o necesita ayuda con su electrodoméstico? ¡Intente a través del sitio web de Café las 24 horas del día, cualquier día del año! Usted también puede comprar más electrodomésticos maravillosos de Café y aprovechar todos nuestros servicios de soporte a través de Internet, diseñados para su conveniencia. En EE.UU.: cafeappliances.com

Registre su Electrodoméstico

¡Registre su electrodoméstico nuevo a través de Internet, según su conveniencia! Un registro puntual de su producto permitirá una mejor comunicación y un servicio más puntual de acuerdo con los términos de su garantía, en caso de surgir la necesidad. También puede enviar una carta en la tarjeta de inscripción preimpresa que se incluye con el material embalado. En EE.UU.: cafeappliances.com/register

Servicio Programado

El servicio de reparación de expertos de Café está a sólo un paso de su puerta. Conéctese a través de Internet y programe su servicio a su conveniencia cualquier día del año. En EE.UU.: cafeappliances.com/service

Garantías Extendidas

Adquiera una garantía extendida de Café y conozca los descuentos especiales que están disponibles mientras su garantía aún está vigente. La puede adquirir en cualquier momento a través de Internet. Los servicios de Café aún estarán allí cuando su garantía caduque. En EE.UU.: cafeappliances.com/extended-warranty

Conectividad Remota

Para solicitar asistencia para la conectividad de red inalámbrica (para modelos con acceso remoto), visite nuestro sitio web en cafeappliances.com/connect

Piezas y Accesorios

Aquellos individuos calificados para realizar el servicio técnico de sus propios electrodomésticos podrán solicitar el envío de piezas o accesorios directamente a sus hogares (se aceptan las tarjetas VISA, MasterCard y Discover). Ordene hoy a través de Internet durante las 24 horas, todos los días. En EE.UU.: cafeappliances.com/parts

Las instrucciones que figuran en este manual cubren los procedimientos que serán realizados por cualquier usuario. Otros servicios técnicos generalmente deben ser derivados a personal calificado del servicio. Se deberá tener cuidado, ya que una reparación indebida podrá hacer que el funcionamiento no sea seguro.

Contáctenos

Si no se encuentra satisfecho con el servicio que recibió de Café, comuníquese con nosotros a través de nuestro sitio web con todos los detalles, incluyendo su número telefónico, o escriba a:

En EE.UU.: General Manager, Customer Relations | Café Appliances, Appliance Park | Louisville, KY 40225
cafeappliances.com/contact