

# Built-In Microwave

EW30MO55HS

Featuring Wave-Touch® Electronic Controls



### Wave-Touch® Controls

One simple touch and the control panel activates, showing the virtually endless cooking options. After you make your choices, all but the options selected will fade away, returning to an elegant display.



### Auto Cook Functions

Features 12 Auto Cook options, 3 Auto Reheat options and 6 Auto Defrost options for amazing flexibility.



### Premium Sensor-Cook Options

12 Sensor-Cook options available to determine exact cooking time for many commonly prepared dishes.



### Multi-Stage Cooking Options

Four cooking options to ensure any dish requiring multiple cooking stages is optimally prepared. Easily defrost and cook with simple commands.

### 30" BUILT-IN MICROWAVE WITH DROP-DOWN DOOR

Oven Cavity	1.5 Cu. Ft.
Watts	900
Oven Interior	Cobalt Blue
Interior Krypton Light	Yes
Porcelain Enamel Turntable	Cobalt Blue

### Control Panel Features

Wave-Touch® Electronic Controls	Yes
Front Display with Blue Indicators	Yes
Electronic Clock & Timer	Yes
Humidity Sensor	Yes
Power Levels	11
Touch Pad Controls	29
Auto Defrost Options	6
Auto Cook Options – Pizza (1), Snacks (3), Kid's Meals (3), Soften/Melt (4), Beverage (1)	12
Auto Reheat Options – Breads/Muffins (2), Pasta/Casserole (1)	3
Sensor-Cook Options – Cook (5), Reheat (1), Popcorn (2), Baked Potato (1), Frozen Vegetables (1), Fresh Vegetables (2)	12
Multi-Stage Cooking Options	4
Add 30 Seconds	Yes
Custom Help Options	Yes
Panel Lock	Yes
Demo Mode	Yes
Adjustable Sound Level For Timers/Reminders	Yes
More/Less Function	Yes
Power Failure Indicator	Yes

### Additional Features

Signature Soft-Arc Oven Door and Handle Design	Yes
Glass Window	Yes

### Specifications

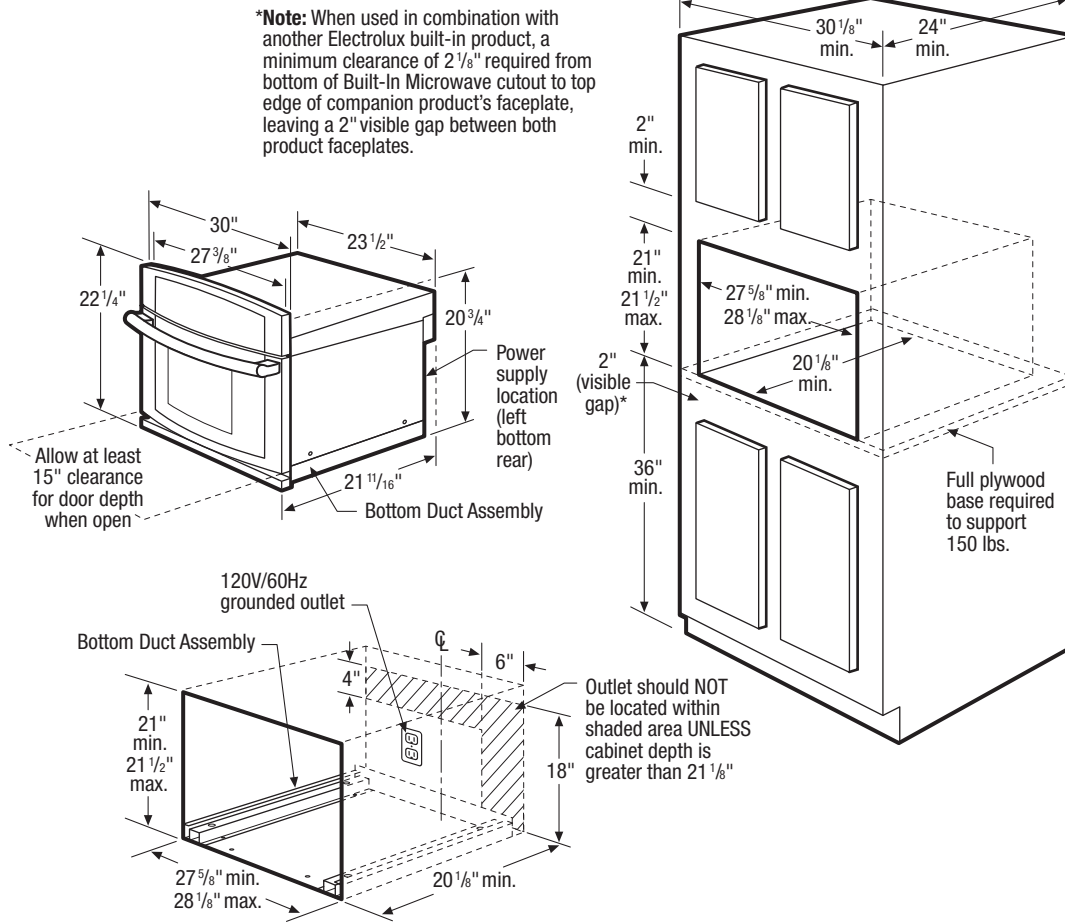
Oven Cavity Dimensions –	
Height	9-5/8"
Width	16-1/8"
Depth	16-1/8"
Product Dimensions –	
Height	22-1/4"
Width	30"
Depth (to Front Door Corner)	21-11/16"
Approved for Electric Single Oven Combination Installation*	Yes
Power Supply Connection Location	Left Bottom Rear
Voltage Rating	120V/60Hz/15A
Connected Load (kW Rating) @ 120 Volts <sup>†</sup>	1.6
Amps @ 120 Volts	13.7
Electrical Cable	Included
Microwave – Watts @ 120 Volt input	1550
Frequency (Mhz)	2450
Shipping Weight (Approx.)	87 Lbs.

<sup>†</sup> For use on adequately wired 120V, dedicated circuit having 2-wire service with a separate ground wire. Appliance must be grounded for safe operation.

\* Approved to be used in combination with any Electrolux Electric Single Wall Oven and/or Warmer Drawer.

NOTE: Always consult local and national electric codes. Refer to Product Installation Guide for detailed installation instructions on the web at [electroluxappliances.ca](http://electroluxappliances.ca).

Specifications subject to change.



### 30" Built-In Microwave Specifications

- Product Weight – 82 Lbs.
- Voltage Rating – 120V/60Hz/15 Amps
- Connected Load (kW Rating) @ 120 Volts = 1.6kW (For use on adequately wired 120V, dedicated circuit having 2-wire service with a separate ground wire. Appliance must be grounded for safe operation.)
- Amps @ 120 Volts = 13.7 Amps
- Always consult local and national electric codes.
- Allow at least 15" clearance for oven door depth when open.
- Minimum required distance from floor is 36".
- Minimum 20-1/8" deep oven cutout dimension is critical for proper installation for oven and faceplate to fit flush against cabinet front.
- Full oven base of solid plywood or similar material required, capable of supporting 150 Lbs.

- Base must be level and cabinet front must be square.
- Grounded outlet should NOT be located in shaded area, as indicated, unless cabinet depth is greater than 21-1/8".
- Built-In Microwave is NOT approved to be used under counter.
- Built-In Microwave can be built in alone or is approved to be used in combination with any Electrolux Electric Single Wall Oven and/or Warmer Drawer. (Refer to model-specific Combination Installation Specification pages on web.)
- When used in combination with another Electrolux built-in product, a minimum clearance of 2-1/8" required from bottom of Built-In Microwave cutout to top edge of companion product's faceplate, leaving a 2" visible gap between both product faceplates.

**Note:** For planning purposes only. Refer to Product Installation Guide on the web at [electroluxappliances.ca](http://electroluxappliances.ca) for detailed instructions.