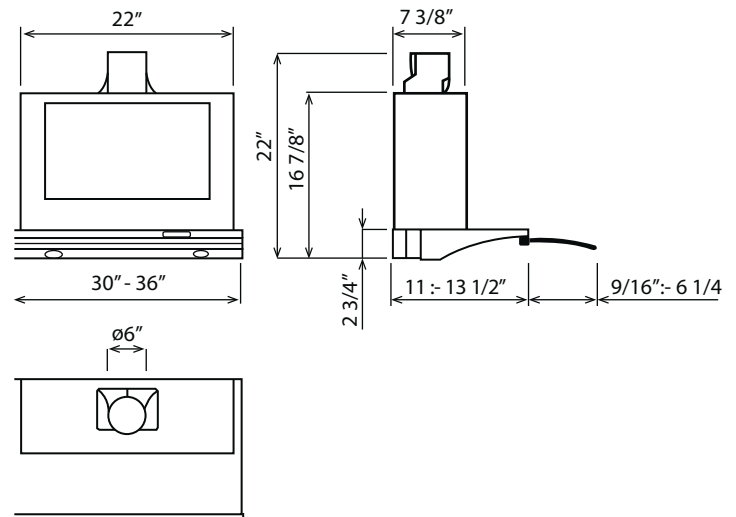




ELICA'S EXCLUSIVE PLUS FEATURES

The ultra-thin 23/4" Glide brings a sleek understated look to modern kitchens that desire minimalism. The crescent shape profile is uncommon and attractive, while the retractable, curved glass visor helps capture cooking vapors, and empowers the user to operate the blower and lights without reaching for the controls. Glide comes equipped with a 400 CFM blower, plus reliable electronic push button controls operate dual level halogen lights and the 4-speed blower. Easy maintenance and a cleaner kitchen are ensured by a dishwasher safe, stainless steel mesh filter.

Glide is designed for standard ducted installations, but can also be installed as a recirculating system.



MOUNTING  
HEIGHT  
RANGE



SPECIFICATIONS

	30" UNIT	36" UNIT
Model:	EGL430SS	EGL436SS
Dimensions:	30"W x 11 1/2" - 19 3/4"D x 2 3/4"H	36"W x 11 1/2" - 19 3/4"D x 2 3/4"H
Blower Type(internal):	400 CFM	
Blower Performance:		
Speed 1	110 CFM	
Speed 2	200 CFM	
Speed 3	300 CFM	
Speed 4	400 CFM	
Noise (sones): Working Speed	Min: 0.7, Max: 5.2	
Finish:	Stainless Steel + Clear Glass	
Controls:	Electronic Push Button	
Illumination:	2,40 Watt Halogen Lamps, 2 Light Intensities (bulbs included)	
Filter Type:	1 Dishwasher-Safe, Stainless Steel Mesh	
Installation Type:	Ducted or Recirculating Installation	
Electrical:	120V-60Hz, 270 Watts at 2.3 Amps	
KITS:		
Optional Recirculating Kit	F00539	
CONSUMABLE PARTS:		
Replacement Grease Filter (1)	GF02ZC	
Replacement Carbon Filter (1)	F00171/S	
Replacement Light Bulb (1)	2005AW	

\*Consumable parts are sold in units of one (1). Order accordingly

PLUS FEATURES



LED LIGHT - LED lighting is undoubtedly the smartest solution in terms of energy saving. Expected life time of over 20.000 hours, represents the most remarkable advantage of LED light bulbs.