

AN UPDATED GLASS ISLAND HOOD WITH ADVANCED FEATURES. The new and improved Tratto Isola island glass hood by Faber now with VAM technology features a stunning curved glass body with advanced electronic controls. This stunning hood also includes a remote control and energy efficient LED lights. The Tratto Isola delivers a stylish and contemporary curved glass island range hood.

Now with
Variable Air Management
adjust CFM for
your local codes



AVAILABLE MODELS

Model #	Size / Color	Set your CFM level	Sound Levels (sones)
TRATIS36SSV	36" Stainless	295, 395, 600 CFM	2.8 - 7.5

Note: Set to 600 CFM motor class out of the box.

KEY FEATURES



Backlit Electronic Controls

Backlit electronic controls with a White LED light to indicate the current speed and lighting



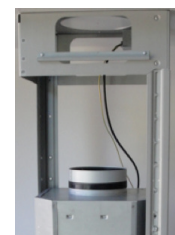
LED Bulbs

Low consumption 1 watt LED lights up your cooking but use very little energy



Remote Control (optional)

Control all features of the hood from the convenience of a ADA compliant wireless remote control (sold separately)



Island Structure

This solid internal support structure makes a simple, adjustable and safe

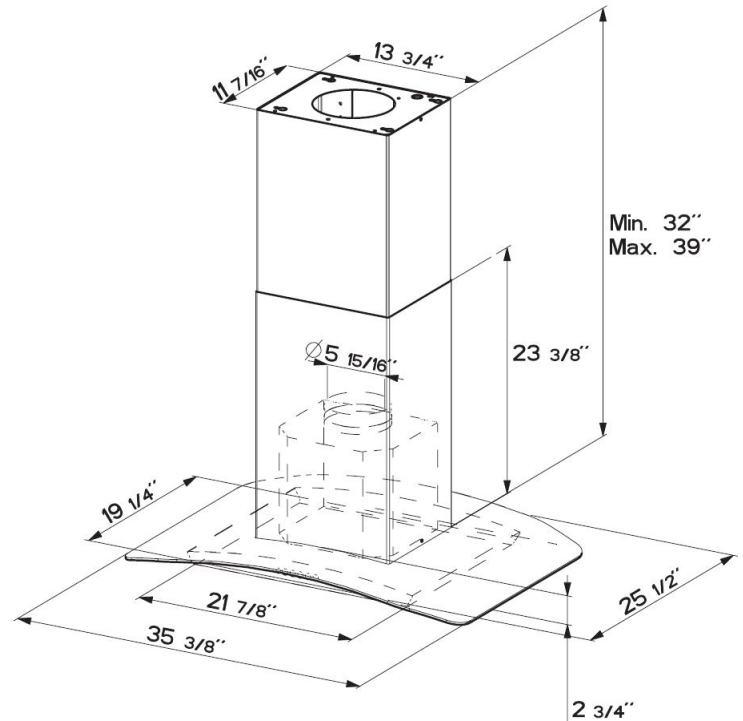
SPECIFICATIONS

min. / max. ceiling height	7' 10" - 8' 11"
convertible to ductless / recirculating	yes - with DUCT2
canopy depth / height	25 1/2" d / 2 3/4" h
high ceiling kit	yes - reaches up to 10' 8" ceilings
controls	4 speed electronic w/ white led
Variable Air Management	yes- (set to 295, 395, 600 CFM)
lighting	4 x 1 (w) LED
ducting top	6" round
grease filters	dishwasher safe mesh
10 minute intensive speed	yes
15 minute auto shut off	yes
ADA compliant	yes (with remote control purchase)
power cord included	yes
AC power	322 watts / 2.8 amps

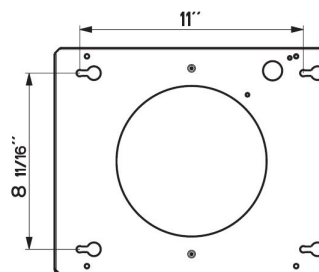
PERFORMANCE

	SPEED	1	2	3	BOOST
CFM		150	295	395	560
Sones		2.8	4.3	6.0	7.5

DIMENSIONS



Overall



Ceiling Connection

ACCESSORIES

FILTER2 - Charcoal Filter Kit

High quality charcoal filter for use when recirculating the air back into the kitchen. Filters out odor and should be replaced every 6 months.

HIGH2 - High Ceiling Kit

High ceiling kit replaces the upper chimney with a taller chimney to reach up to 10' 8"

DUCT2 - Ductless Conversion Kit

To convert the Tratto Isola to ductless, this kit includes a chimney with holes, charcoal filters and a diverter to send the air thru the side grates on the new lower chimney.

REMCTRL2 - Remote Control

Control all features of the hood from the convenience of a wireless remote control

MUDAMPER6 / MUDAMPER8 - Universal Make-Up Air Damper

Satisfies make-up air requirements, this kit uses an air switch to activate the make-up air damper to open and bring fresh air into the home when the hood fan is on. It then closes tightly when the hood is off. The CFM level is not reduced with this accessory.

WARNING! Product specifications are subject to change without notification. Consult the installation instructions before you begin installing this range hood. * Check local make up air codes for guidelines.

