

NEW MODEL

Mirror

Stunning wall ventilation

Image Collection

LUXURY STYLING & FUNCTION

- Stunning black glass front
- Artistic design, impeccable fit & finish
- Two halogen bulbs with 5 level lighting
- Dishwasher-safe grease filters
- Easy Mounting System
- Top swings open with touch of a button
- 600 cfm internal PRO™ blower model

STATE OF THE ART CONTROLS

- Touch (LED) electronic controls behind glass
- 7 pre-set speeds plus Intensive Power Boost
- 24-hour kitchen anti-pollution mode
- 30 minute delayed shut-down mode
- Grease filter saturation indicator

DUCTING OPTIONS

- Top 6 " round venting
- Convertible to ductless
- Rear ducting chimney in the box



FABER

ON AIR. SINCE 1955

Faber has redefined the rangehood with the new Mirror, featuring an angled black glass front and with the touch of a button the top panel tilts open to reveal the grease filters.



Size | Color

36 Black Glass

Model #

MIRR36BK

Advanced behind the glass touch controls

a
c
c
e
s
s
o
r
i
e
s

Replacement Charcoal Filter

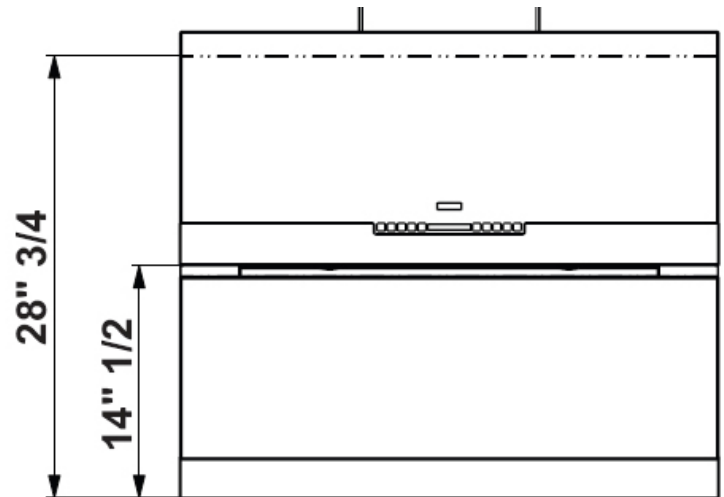
FILTER1



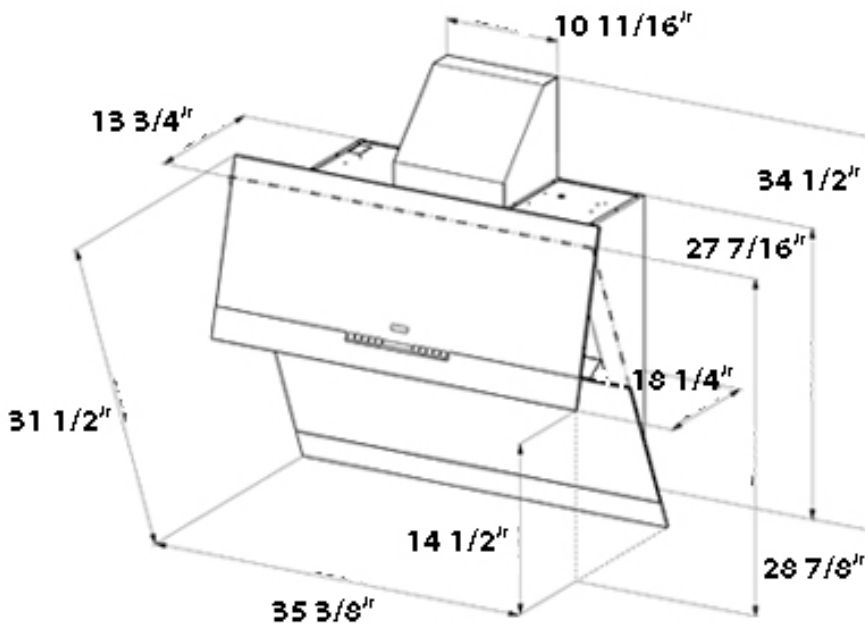
Top panel swings open w/ push of a button

Dimensional Diagrams

Front Dimensions



Dimensions with Rear Ducting chimney



Pre-Planning Your Installation - Important: Consult the installation instructions before you begin installing this rangehood.

Make your ductrun as straight and short as possible. The ductrun should not exceed 35 equivalent feet if ducted with the required minimum of 6" round duct. Count 45° angles as 3 feet, 90° elbows as 5 feet, and 90° flat elbows as 12 feet.

For best results, use no more than three 90° elbows. Make sure that there is a minimum of 24" of straight duct between elbows if more than one is used. Do not install two elbows together. If you must elbow right away, do it as far away from the hood's exhaust opening as possible.