

# Mirror Wall Range Hood

Stunning black glass wall range hood

**FABER**

ON AIR. SINCE 1955



Behind the Glass LED Electronic Controls

Faber has redefined the range hood with the Mirror wall range hood, featuring an angled black glass front that tilts opens out with the touch of a button to reveal the grease filters and begin venting your kitchen.

Model #	Size   Color	Performance Range	Sound Levels
MIRR36BK	36 Black Glass	60 - 600 CFM	0.5 - 5.0 sones



## Feature Chart

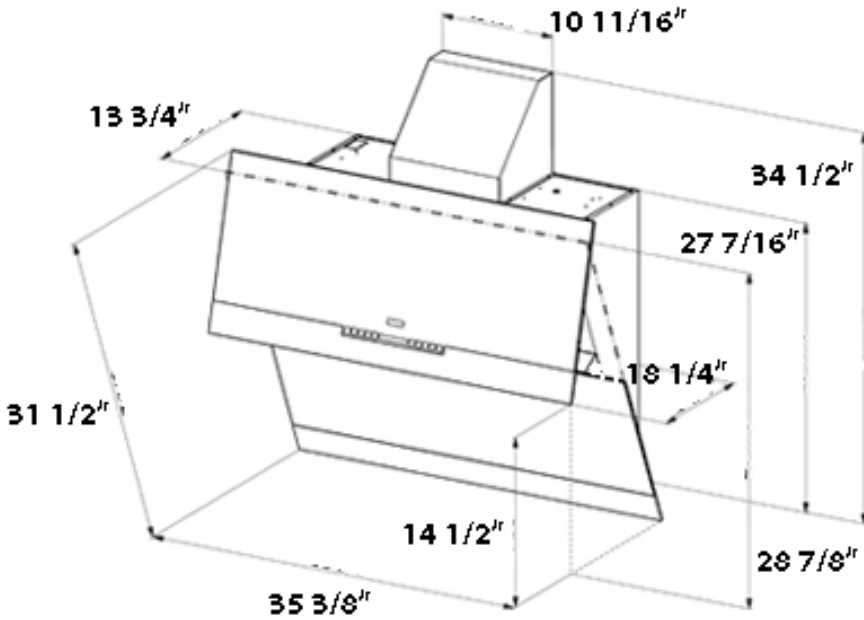
Convertible to Recirculating	Yes - charcoal kit needed
Controls	7 speed LED digital touch control
Lighting	2 X 20 (W) Halogen + 5 Level Dimmer
Ducting Top & Direct Rear Venting	6" Round
Grease Filters	dishwasher safe mesh
Auto Open / Close	Yes with touch of a button
Pro Motor with Metal Impellers	Yes
24 hour anti-pollution mode	Yes
30 minute auto shut off	Yes
Grease Filter Wash indicator	Yes
10 Minute Intensive Speed	Yes
Control Lock	Yes
AC Input	120 V - 60 hz
AC Power	Max 490 W at 4.1 A
<b>Green Energy Saver Mode</b>	<b>Yes</b>
<b>Annual Electricity Costs</b>	<b>\$5.29 / Year *</b>

\* Note – ran 30 minutes a day on low speed with the lights on, 365 days, using the North American average of 12.2 cents per kWh.

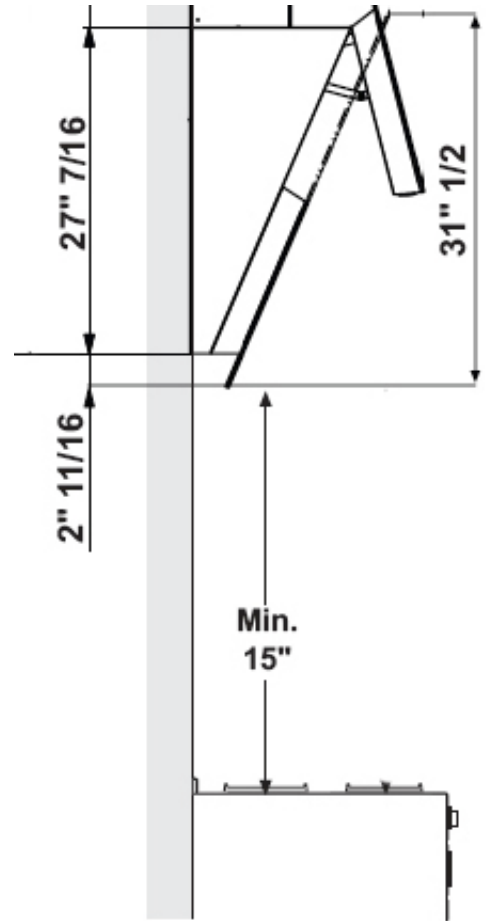
p.o. box 435 • Wayland, MA 01778 • tel: (508) 358-5353 • fax: (508) 358-5730 • e-mail: info@faberonline.com • www.faberonline.com

## Dimensional Diagrams

(see installation instructions for more information)



**PRODUCT DIMENSIONS**  
(with rear venting chimney)



**SIDE VIEW**

## ACCESSORIES

**Charcoal Filter    # FILTER1**

For ductless installations, high quality, heavy duty filters ensure the removal of smoke and odors from the kitchen.



**Universal Make-Up Air Damper**

**# MUDAMPER6 / MUDAMPER8**  
(6")                      (8")

Satisfies current make-up air requirements, this kit uses an air switch above the hood to activate the make-up air damper to open and bring fresh air into the home whenever the hood fan is operating and then close tightly when the hood is off. The CFM level is not reduced by using this kit.

