



Single Wall Ovens

CGEB27Z7H S/B

27" Electric



Product Dimensions

Height	31-1/8"
Width	26-7/8"
Depth	25-3/8"

More Easy-To-Use Features

Vari-Broil™

Allows you to choose between two heat levels.

One-Touch Self Clean

Start the self-cleaning cycle with just the touch of a button.

Speed Clean

For a quick, light oven cleaning.

Delay Start

Set your oven to begin cooking on your schedule. It can be programmed from one to 24 hours.

Side-Swing Reversible Door

Sabbath Mode (Star-K® Certified)

Available in:



White
(S)



Black
(B)

Signature Features

Speed Bake® Convection

30% faster than conventional oven with the touch of a button.

Express-Select® Controls

Easily select options or control cooking temperature with our easy-to-use controls.

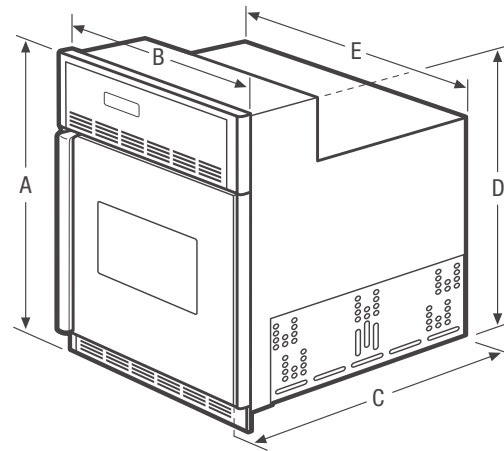
One-Touch Keep Warm Setting

Just one touch of a button keeps food warm until everything — and everyone — is ready.

Even Baking Technology

Our latest technology ensures even baking every time.

Features	
Oven Control/Timing System	Express-Select*
Window	Large
Exterior Door Finish	Colour-Coordinated
Side-Swing Reversible Door	Yes
Handle Design	Colour-Coordinated
Oven Cleaning System	Self Clean
Oven Controls	
Bake/Broil	Yes/Variable (Hi - Lo)
Convection Conversion	
Convection Bake/Broil/Roast	
Speed Bake® Convection	Yes
Oven Preheat	Yes
My Favourite	
Chicken Nugget Button	
Pizza Button	
Keep Warm	Yes
Add-a-Minute	
Delay Start	Yes
Self-Clean	Yes
Clean Option	
Delay Clean	2, 3, 4 Hours
Kitchen Timer	Yes
Timed Cook Option	Yes
Control Lock	
Auto Oven Shut-Off	12 Hours
Oven Lock-Out	Yes
Oven Features	
Capacity (Cu. Ft.)	3.5
Convection System	Speed Bake®
Oven Light	Yes
Hidden Bake Element	
Rack Configuration	3 Handle Racks
Baking System	Even Baking Technology
Broiling System	Vari-Broil™
Bake/Broil Element (Watts)	2,300 / 3,400
Certifications	
Sabbath Mode (Star-K® Certified)	Yes
Specifications	
Oven Interior (H x W x D)	16-1/2" x 20-1/2" x 18-1/32"
Power Supply Connection Location	Left Bottom Rear
Voltage Rating	240V / 208V / 60Hz
Connected Load (kW Rating) @ 240 / 208 Volts	3.4 / 2.6
Amps @ 240 / 208 Volts	14.2 / 12.5
Minimum Circuit Required (Amps)	20
Approved for Under-Counter Installation	Yes
Shipping Weight (Approx.)	152 Lbs.



NOTE: For planning purposes only. Always consult local and national electric codes. Refer to Product Installation Guide for detailed installation instructions on the web at frigidaire.ca.



Product Dimensions	
A - Height	31-1/8"
B - Width	26-7/8"
C - Depth	25-3/8"
D - Height (Wrapper)	28-3/32"
E - Width (Wrapper)	24-11/16"
Depth with Door Open 90°	52-3/4"

Cutout Dimensions	
Height (min.) / (max.)	28-1/8" / 30-1/8"
Width (min.) / (max.)	24-7/8" / 25-1/4"
Depth (min.)	23-1/2"

Accessories information available on the web at frigidaire.ca