

PERFORMANCE DATA NO LOAD & NO DOOR OPENINGS AT 37°/0° CONTROL SETTING		
Type A with Run/Start Capacitor	65°F (18°C) Ambient	90°F (32°C) Ambient
Operating Time	90 to 100%	100%
Freezer Temperature	-5° to 2° F (-20° to -17° C)	-1° to 3° F (-18° to -16° C)
Refrigerator Temperature	34° to 39° F (1° to 4° C)	34° to 39° F (1° to 4° C)
Low Side Pressure	-2 to 6 psig (-14 to 41 kPa)	-2 to 6 psig (-14 to 41 kPa)
High Side Pressure (last 1/3 cycle)	85 to 105 psig (586 to 724 kPa)	120 to 135 psig (827 to 931 kPa)
Wattage (last 1/3 cycle)	30 to 50	50 to 70
Amps (running)	.4 to .8	.7 to .9
Base Voltage	115 vac (127 vac max)	

DEFROST SPECIFICATIONS				
Cabinet Size	Thermostat		Heater	
	Cut-in	Cut-out	Watts	Ohms
26' & 28' SD, 23' CD	25° F (-4° C)	47° F (8° C)	500	26.5

Electronic Timer - (ADC) Defrost 24 minutes every 6-96 hours of compressor run time.

CONDENSER FAN MOTOR		
Watts	RPM	Amps
3.1	1100 CW Opposite Shaft	0.03 Running

FREEZER ICE MAKER SPECIFICATIONS	
Electrical	115 vac (127 vac max)
Thermostat	Opens at 48° F ( 9° C), Closes at 15° F ( -9° C)
Heater Voltage	85 vac

OPTIONAL FREEZER ICE MAKER CONNECTOR PLUG		
Wire Number	Wire Color	Connects to:
1	Green/Yellow	Ground
2	Yellow/Blue	Water Valve
3	Black/Orange	Line
4	Light Blue	Neutral

### IMPORTANT SAFETY NOTE

The information provided herein is designed to assist qualified repair personnel only. Untrained persons should not attempt to make repairs due to the possibility of electrical shock. Disconnect power cord before servicing this appliance.

### IMPORTANT

If any green grounding wires are removed during servicing, they must be returned to their original position and properly secured.

### NOTE

This product comes equipped with an Adaptive Defrost Control (ADC). To activate manual defrost, simultaneously press and hold the Fresh Food up (+) and Fresh Food down (-) keys for 5 seconds. A "d" in the freezer temperature window and "F" in the refrigerator temperature window will display when the heater is activated. To deactivate manual defrost, simultaneously press and hold the Fresh Food up (+) and Fresh Food down (-) keys for 5 seconds. A "d" and "F" will be displayed until the defrost cycle is complete.

### CAUTION

All electrical parts and wiring must be shielded from torch flame. DO NOT allow torch to touch insulation; it will char at 200°F and flash ignite (burn) at 500°F. Excessive heat will distort the plastic liner.

## SERVICE DATA SHEET

# 240389646

### ICE & WATER - AUTOMATIC DEFROST BOTTOM FREEZER - R134a

## IMPORTANT

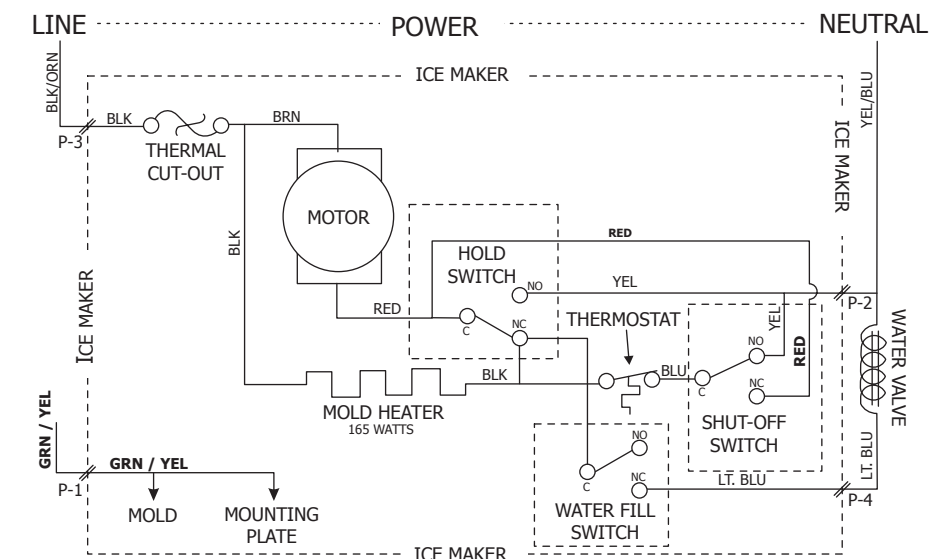
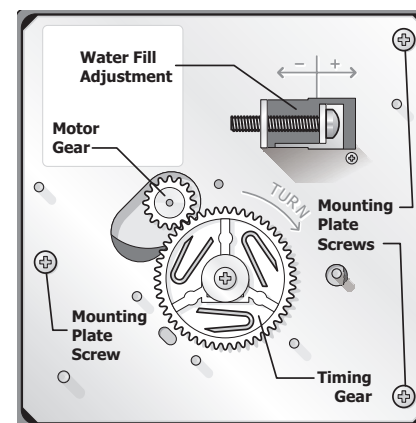
PLEASE RETURN THIS SHEET TO IT'S ORIGINAL LOCATION.

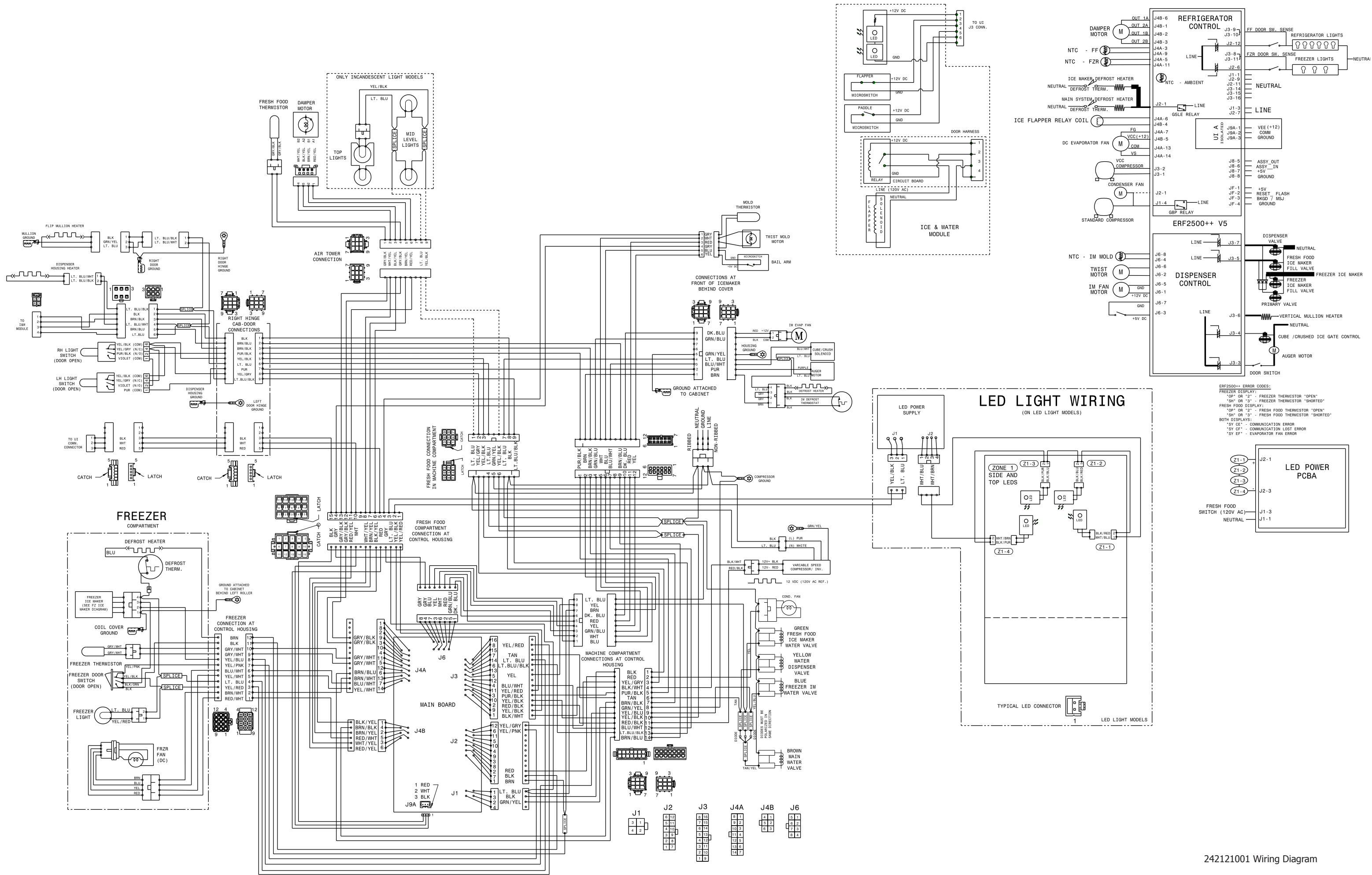
Ice Maker Errors Displayed on "UI"				Diagnostic Mode	Note: See Service Manual for complete description.
<b>ERROR</b>				<b>Test</b>	Activate: Hold FF (+) and FZ (+) for 5 sec.
<b>None</b>				<b>52C</b>	Ice tray thermistor temperature displayed - OK, OP open, SH short
				<b>55C</b>	Water valve test
				<b>57C</b>	Fan test, on or off
				<b>58C</b>	Ice level sensor switch test
				<b>63C</b>	Harvest motor system test
				<b>De-activate: Hold FF (+) for 5 sec.</b>	
System Error Codes Displayed on "UI"				Diagnostic Mode	Note: See Service Manual for complete description.
<b>ERROR</b>				<b>Test</b>	<b>Activate: FZ (+) and FZ (-) for 5 sec.</b>
<b>OP or 2</b>		Freezer Sensor OPEN		<b>1</b>	Standard compressor
<b>SH or 3</b>		Freezer Sensor SHORTED		<b>2</b>	Defrost heater
<b>OP or 2</b>		FF Sensor OPEN		<b>3</b>	FF lighting
<b>SH or 3</b>		FF Sensor SHORTED		<b>8</b>	Water valve, water disp.
<b>SY</b>	<b>EF</b>	Evaporator Fan Circuit		<b>9</b>	FZ lighting
<b>SY</b>	<b>CE</b>	Communication error		<b>10</b>	Auger motor
<b>SY</b>	<b>CF</b>	Communication error		<b>11</b>	Cube/crush solenoid
				<b>41</b>	Perfect Temp Drawer
				<b>12</b>	VCC Condensor fan
To initiate manual defrost press and hold, for 5 sec. FF(+) and FF(-), (d) and (f) will be displayed.				<b>38</b>	VCC Compressor
	<b>dF</b>	In Manual Defrost (See Note)		<b>15</b>	Evaporator fan
				<b>De-activate: Hold FF (+) for 5 sec.</b>	

### FREEZER ICE MAKER INFORMATION

**Test Cycling:** Remove cover by inserting screwdriver in notch at bottom and prying cover from housing. Use screwdriver to rotate motor gear counterclockwise until holding switch circuit is completed. All components of ice maker should function to complete the cycle.

**Water Fill Volume:** The water fill adjustment screw will change the fill time. One full turn is equal to 20cc (.68 oz.). The correct fill is 102 to 130cc (3.4 to 4.3 oz.). When a water valve is replaced, the fill volume must be checked.





242121001 Wiring Diagram