

PDW8200/80N

GE Profile™ Stainless Built-In Dishwasher

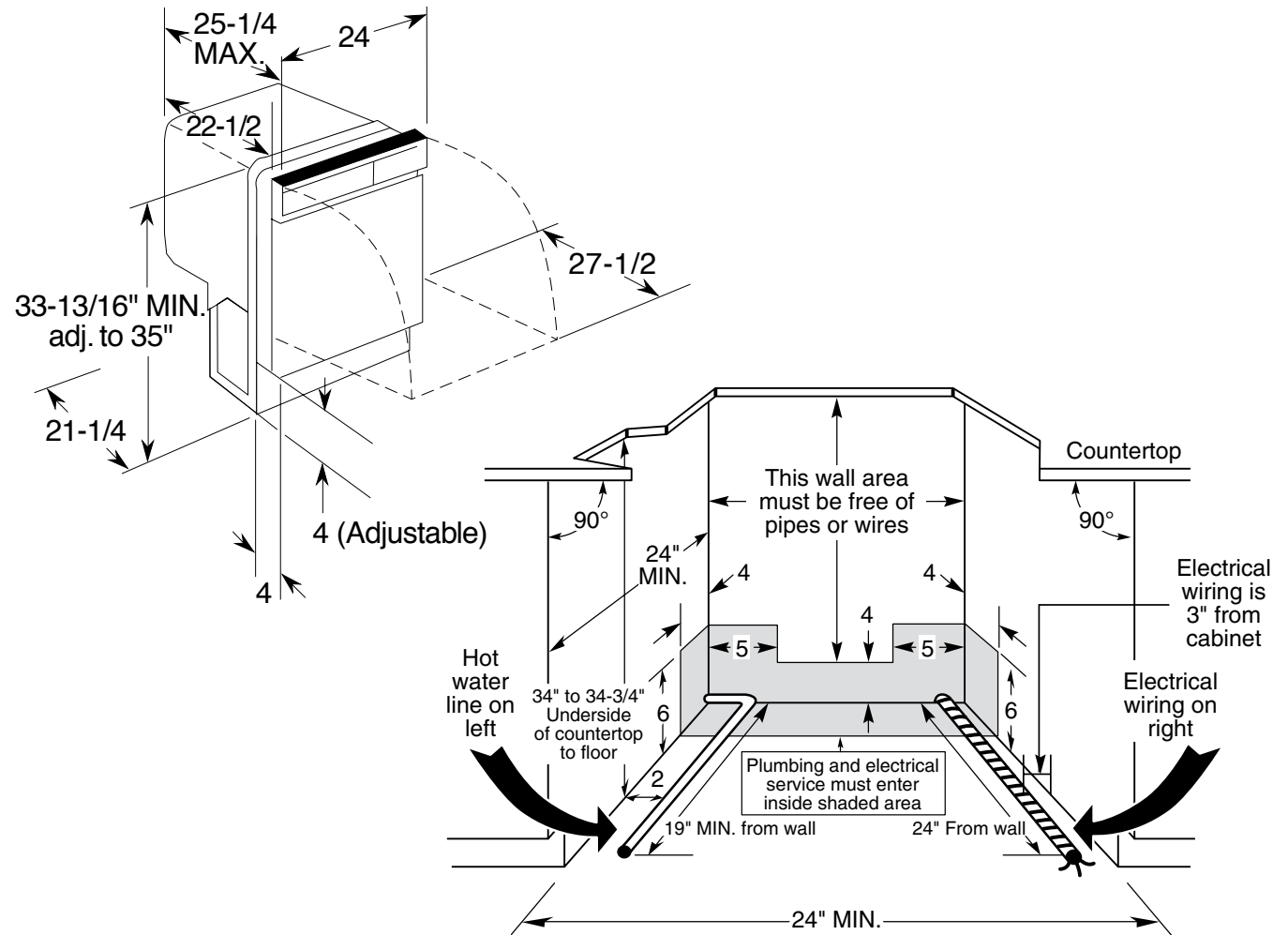
Dimensions and Installation Information (in inches)

Electrical Rating

Voltage AC.....	120
Hertz.....	60
Total connected load amperage.....	9.1
Calrod® heater watts max.....	875

For use on adequately wired 120-volt, 15-amp circuit having 2-wire service with a separate ground wire. This appliance must be grounded for safe operation.

Installation Information: Before installing, consult installation instructions packed with product for current dimensional data.



For answers to your Monogram,® GE Profile™ or GE® appliance questions, visit our website at ge.com or call GE Answer Center® service, 800.626.2000.



Listed by
Underwriters
Laboratories



As an ENERGY STAR® partner, GE has determined that this product meets the ENERGY STAR guidelines for energy efficiency.

PDW8200/80N

GE Profile™ Stainless Built-In Dishwasher

Features and Benefits

- Giant Tub with Maximum Capacity Nylon Racking - Holds tall and oversized items; washes 16 place settings at once
- 6-Level BrilliantClean™ Towerless Wash System with CleanSensor™ - Scrubs dishes clean with three full-sized wash arms, six levels of wash action and a sensor that continually monitors and adjusts the wash cycle for a superior clean
- 2/4/8-Hour Delay Start - Makes it easier than ever to wash dishes at any hour taking advantage of reduced energy rates or washing dishes even when the family is asleep
- QuietPower™ 5 Sound Package - Features an enhanced sound-deadening system to seal in sound, keeping the kitchen remarkably quiet
- 2 Sets Fold Down Tines in Lower Rack - Provides loading flexibility for pots, pans and large bowls
- Light-Touch Electronic Controls - Provide a smooth, sleek surface and requires only a gentle touch to operate
- Removable Upper Rack - Pulls out completely to allow for washing large items
- Model PDW8200NWW – White on white
- Model PDW8200NBB – Black on black
- Model PDW8280NSS – Stainless steel (shown)

