

# GTW845CPN/CSN

## GE® 5.0 Cu. Ft. Capacity Washer with SmartDispense

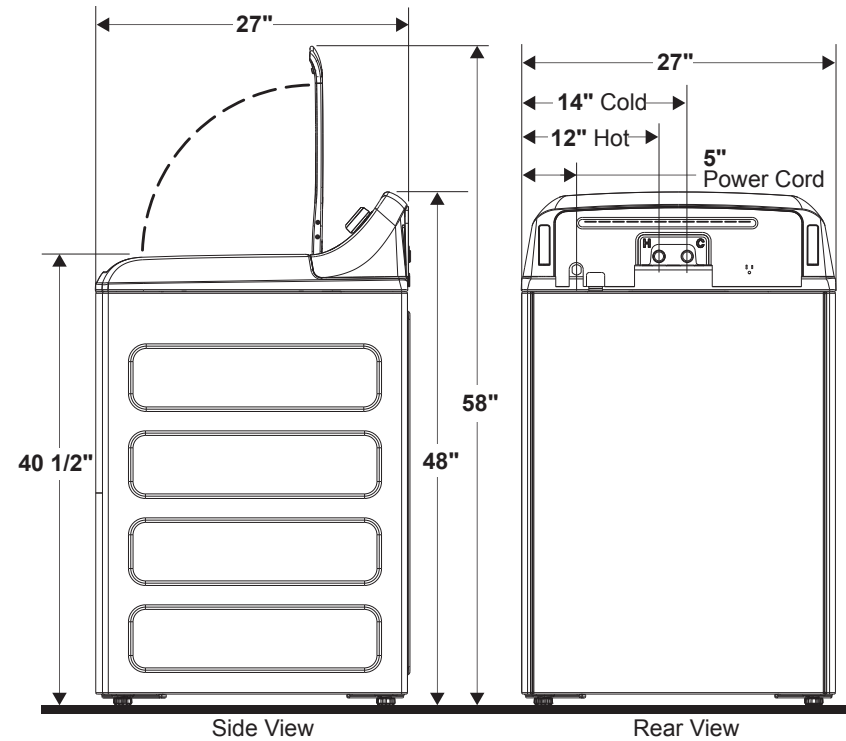
### DIMENSIONS AND INSTALLATION INFORMATION (IN INCHES)

**CIRCUIT REQUIREMENTS:** An individual, properly-grounded branch circuit, with a three-prong grounding-type receptacle, protected by a 15 or 20 amp circuit breaker or a time-delay fuse, is required.

**ELECTRICAL RATING:** 120V, 60Hz, 10A

**NOTE:** Washer wall outlet must be located within 36" of service code entry. Wall outlet must not be located behind dryer.

**INSTALLATION INFORMATION:** Before installing, consult installation instructions packed with product for current dimensional data.



For answers to your Monogram, GE Café™ Series, GE Profile™ Series or GE Appliances product questions, visit our website at [geappliances.com](http://geappliances.com) or call GE Answer Center® Service, 800.626.2000.



Specification Revised 01/20

# GTW845CPN/CSN

## GE® 5.0 Cu. Ft. Capacity Washer with SmartDispense

### FEATURES AND BENEFITS

SmartDispense™ Technology – An intelligent dispenser that holds up to 48 loads of detergent and automatically dispenses the right amount, saving you time and making laundry effortless.

Power Prewash – Get even the most heavily soiled items perfectly clean in a single cycle that adds detergent, agitates, and soaks, then drains the dirty water and repeats the wash process.

Water Station – Pre-treat your clothes inside the washer with an integrated water station that dispenses water and detergent together, or just water, all at your desired temperature.

Built-in WiFi – Enjoy the ultimate in convenience and the latest in technology with the ability to monitor and control your laundry from anywhere and receive real-time notifications and updates.

Dual-action agitator – Experience a high level of clean with a dual-action agitator that enables a reversing, powerful wash action.

QuietWash – Enjoy a quieter wash and reduced vibration thanks to innovative Dynamic Balancing Technology.

Deep Fill – Customize your water-fill levels with just the touch of a button and fill the tub with as much water as you want so you can wash your way.

Multiple Rinse Options – Ultimate flexibility with your rinse cycles to remove detergent, fabric softener, and stubborn soils with options like Deep Rinse, Extra Rinse and Warm Rinse.

10-year limited warranty – Rest assured knowing your washer is backed by a 10-year limited warranty.

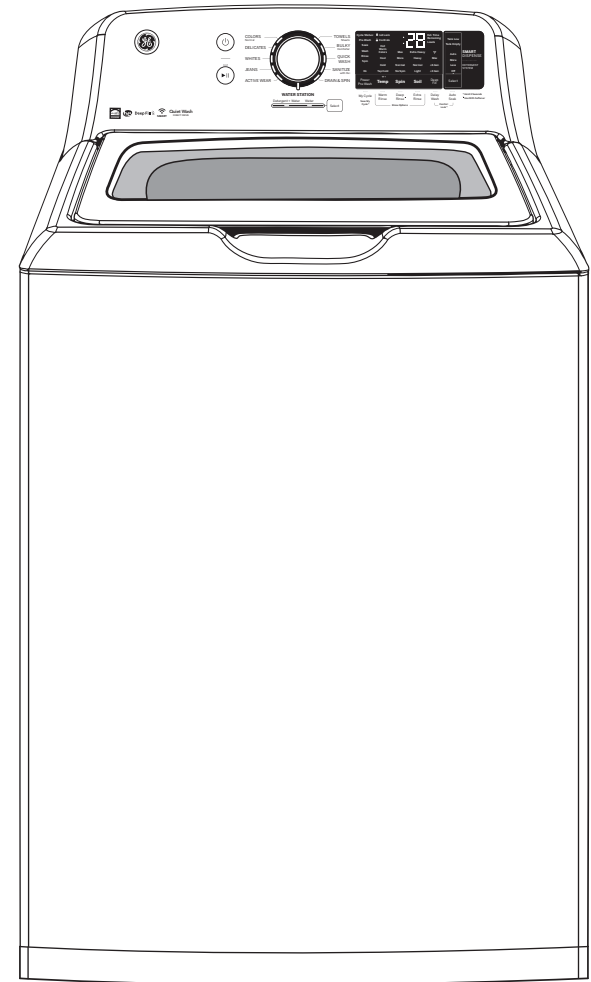
Sanitize with Oxi – Remove 99.9% of bacteria with a dedicated cycle that uses an Oxi additive to boost your detergent's cleaning power, while keeping fabrics looking and feeling their best.

Auto Soak – Loosens stains by soaking for up to 2 hours.

Speed Wash – Provides a quick wash for lightly soiled items that are needed in a hurry.

Model GTW845CSNWS – White with silver backsplash

Model GTW845CPNDG – Diamond Gray



For answers to your Monogram, GE Café™ Series, GE Profile™ Series or GE Appliances product questions, visit our website at [geappliances.com](http://geappliances.com) or call GE Answer Center® Service, 800.626.2000.