

24" Slanted Chimney Vent

HCH2400ACB



Available

Unit Specifications

Width	24"
Depth	17 7/8"
Height	21 7/16"
Weight	48.51 lb.
UPC	688057374475

More Easy-To-Use Features

- Four Speeds
- Electronic Touch Controls
- 2 Halogen Lamps
- 430 Stainless Steel
- Aluminum Motor
- 120V/60Hz

Warranty

- 2 Year Warranty (Parts and Labor)

Available Finishes



Black Glass

Signature Features

450 CFM Motor

Helps with the removal of smoke, grease, and odors

Three-Layer Washable Grease Filter

Draws out fumes and vapors, with easy detachment for safe, simple cleaning

Recirculating and Venting Options

Provide the flexibility to exhaust back into the kitchen or outdoors

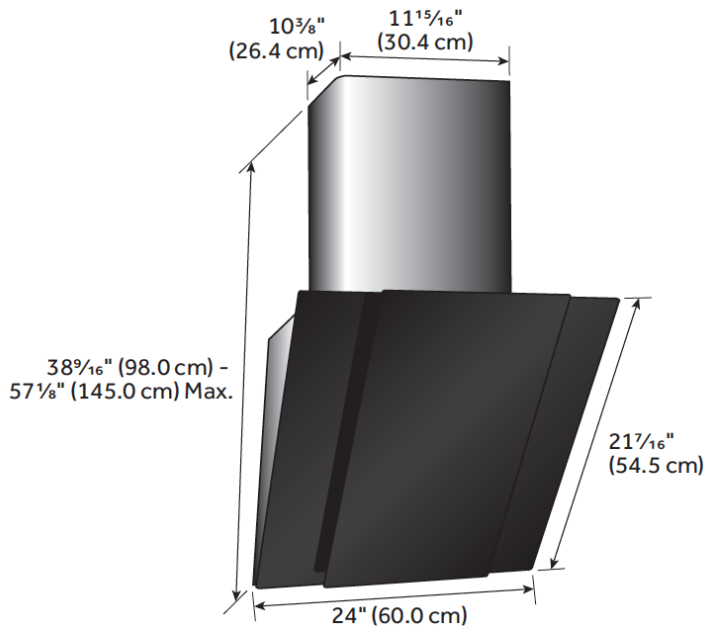
Halogen Lighting

Distributes bright, clear light across the cooking surface

Overall Packaging Details

Packaging	lb./in.	
Gross Weight	55.13 lb.	
Dimensions	W	25.35"
	D	24.96"
	H	19.62"
Power Requirements		
Electrical Rating	120V, 60Hz	

Product Technical Illustration



Note: The vent hood must be installed 24" min. above electric cooktop surface and 30" min. above gas cooktop surface.

The hood installation height, from the cooking surface to the bottom of the hood, depends upon ceiling height.

General Appliance Information

Please read all installation details and instructions before use.

Contact Us

For questions regarding this product please refer to our website at haieramerica.com or call our customer service center at 877-337-3639.

