

KitchenAid®

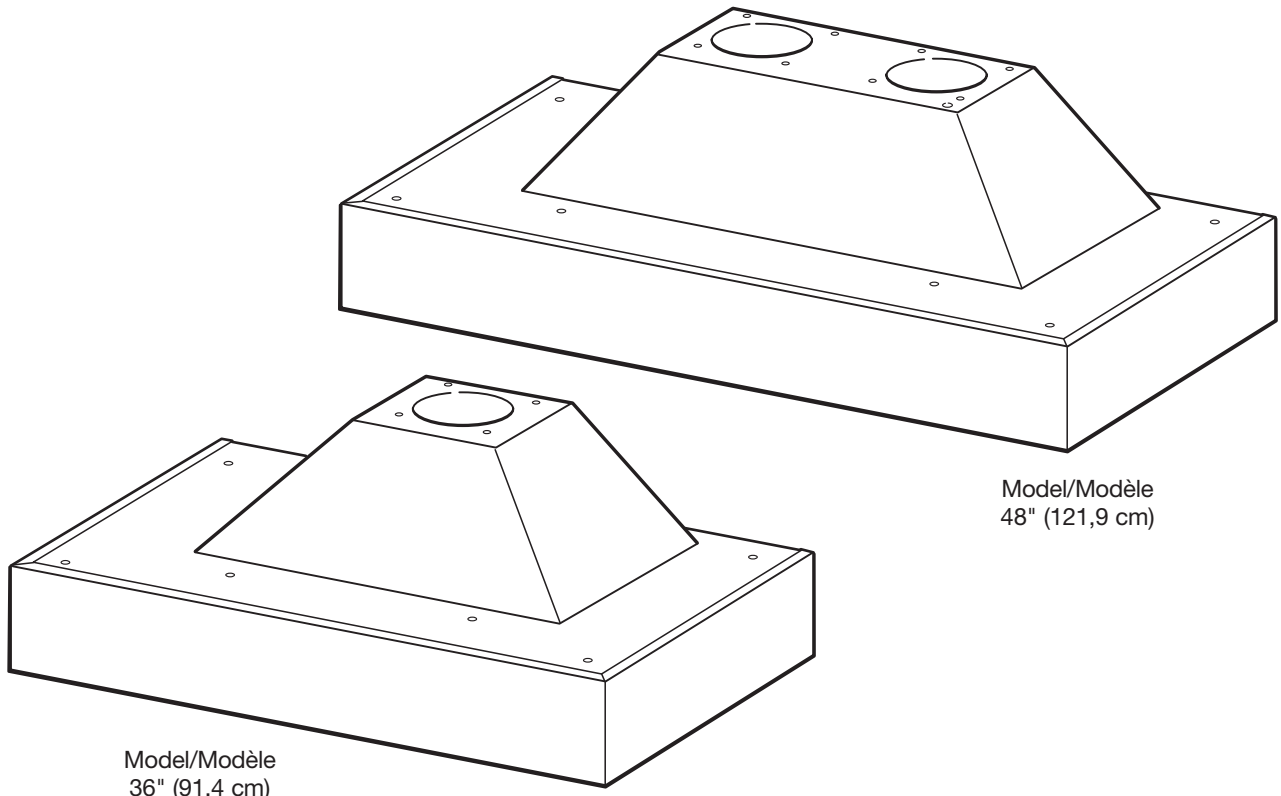
36" (91.4 cm) and 48" (121.9 cm) HOOD LINER with INTERNAL BLOWER

Installation Instructions and Use and Care Guide

DOUBLURE DE HOTTE avec VENTILATEUR INTERNE 36" (91,4 cm) et 48" (121,9 cm)

Instructions d'installation et Guide d'utilisation et d'entretien

Table of Contents/Table des matières.....2



**IMPORTANT: READ AND SAVE THESE INSTRUCTIONS.
FOR RESIDENTIAL USE ONLY.**

**IMPORTANT : LIRE ET CONSERVER CES INSTRUCTIONS.
POUR UTILISATION RÉSIDENIELLE UNIQUEMENT.**

IMPORTANT:

Installer: Leave installation instructions with the homeowner.

Homeowner: Keep installation instructions for future reference.
Save installation instructions for local inspector's use.

IMPORTANT :

Installateur : Remettre les instructions d'installation au propriétaire.

Propriétaire : Conserver les instructions d'installation pour consultation ultérieure.
Conserver les instructions d'installation pour consultation par l'inspecteur local.

TABLE OF CONTENTS

RANGE HOOD SAFETY	2
INSTALLATION REQUIREMENTS	4
Tools and Parts	4
Location Requirements	4
Venting Requirements	6
Electrical Requirements	7
INSTALLATION INSTRUCTIONS	7
Prepare Location	7
Make Electrical Connection	8
Complete Installation	9
Check Operation	9
RANGE HOOD USE	10
Operation	10
RANGE HOOD CARE	10
Cleaning and Maintenance	10
Accessories	10
REQUESTING ASSISTANCE OR SERVICE	11
RANGE HOOD WARRANTY	12
WIRING DIAGRAM	13

TABLE DES MATIÈRES

SÉCURITÉ DE LA HOTTE DE CUISINIÈRE	14
EXIGENCES D'INSTALLATION	16
Outillage et pièces	16
Exigences d'emplacement	16
Exigences concernant l'évacuation	18
Spécifications électriques	19
INSTRUCTIONS D'INSTALLATION	20
Préparation de l'emplacement	20
Raccordement électrique	20
Achever l'installation	21
Contrôle du fonctionnement	21
UTILISATION DE LA HOTTE DE CUISINIÈRE	22
Fonctionnement	22
ENTRETIEN DE LA HOTTE DE CUISINIÈRE	22
Nettoyage et entretien	22
Accessoires	23
DEMANDE D'ASSISTANCE OU DE SERVICE	24
GARANTIE DE LA HOTTE DE CUISINIÈRE	25
SCHÉMA DE CÂBLAGE	26

RANGE HOOD SAFETY

Your safety and the safety of others are very important.

We have provided many important safety messages in this manual and on your appliance. Always read and obey all safety messages.



This is the safety alert symbol.

This symbol alerts you to potential hazards that can kill or hurt you and others.

All safety messages will follow the safety alert symbol and either the word "DANGER" or "WARNING."

These words mean:

⚠ DANGER

You can be killed or seriously injured if you don't immediately follow instructions.

⚠ WARNING

You can be killed or seriously injured if you don't follow instructions.

All safety messages will tell you what the potential hazard is, tell you how to reduce the chance of injury, and tell you what can happen if the instructions are not followed.

IMPORTANT SAFETY INSTRUCTIONS

WARNING: TO REDUCE THE RISK OF FIRE, ELECTRIC SHOCK, OR INJURY TO PERSONS, OBSERVE THE FOLLOWING:

- Use this unit only in the manner intended by the manufacturer. If you have questions, contact the manufacturer.
- Before servicing or cleaning the unit, switch the power off at the service panel disconnecting means to prevent power from being switched on accidentally. When the service disconnecting means cannot be locked, securely fasten a prominent warning device, such as a tag, to the service panel.
- Installation work and electrical wiring must be done by qualified person(s) in accordance with all applicable codes & standards, including fire-rated construction.
- Sufficient air is needed for proper combustion and exhausting of gases through the flue (chimney) of fuel burning equipment to prevent backdrafting. Follow the heating equipment manufacturer's guideline and safety standards such as those published by the National Fire Protection Association (NFPA), the American Society for Heating, Refrigeration and Air Conditioning Engineers (ASHRAE), and the local code authorities.
- When cutting or drilling into wall or ceiling; do not damage electrical wiring and other utilities.
- Ducted systems must always be vented outdoors.

CAUTION: For general ventilating use only. Do not use to exhaust hazardous or explosive materials and vapors.

CAUTION: To reduce risk of fire and to properly exhaust air, be sure to duct air outside - do not vent exhaust air into spaces within walls ceilings, attics, crawl spaces, or garages.

WARNING: TO REDUCE THE RISK OF FIRE, USE ONLY METAL DUCTWORK.

WARNING: TO REDUCE THE RISK OF A RANGE TOP GREASE FIRE:

- Never leave the surface units unattended at high settings. Boilovers cause smoking and greasy spillovers that may ignite. Heat oils slowly on low or medium settings.
- Always turn hood ON when cooking at high heat or when flaming food (i.e. Crepes Suzette, Cherries Jubilee, Peppercorn Beef Flambé).
- Clean ventilating fans frequently. Grease should not be allowed to accumulate on fan or filter.
- Use proper pan size. Always use cookware appropriate for the size of the surface element.

WARNING: TO REDUCE THE RISK OF INJURY TO PERSONS IN THE EVENT OF A RANGE TOP GREASE FIRE, OBSERVE THE FOLLOWING:^a

- SMOTHER FLAMES with a close fitting lid, cookie sheet, or other metal tray, then turn off the gas burner or electric element. BE CAREFUL TO PREVENT BURNS. If the flames do not go out immediately, EVACUATE AND CALL THE FIRE DEPARTMENT.
- NEVER PICK UP A FLAMING PAN - you may be burned.
- DO NOT USE WATER, including wet dishcloths or towels - a violent steam explosion will result.
- Use an extinguisher ONLY if:
 - You know you have a class ABC extinguisher, and you already know how to operate it.
 - The fire is small and contained in the area where it started.
 - The fire department is being called.
 - You can fight the fire with your back to an exit.

^aBased on "Kitchen Fire Safety Tips" published by NFPA.

- **WARNING:** To reduce the risk of fire or electrical shock, do not use this fan with any solid-state speed control device.

SAVE THESE INSTRUCTIONS

INSTALLATION REQUIREMENTS

Tools and Parts

Gather the required tools and parts before starting installation. Read and follow the safety instructions provided with any tools listed here.

Tools needed:

- level
- drill with 1¼" and 7/32" drill bits
- pencil
- wire stripper or utility knife
- measuring tape or ruler
- pliers
- caulking gun and weatherproof caulking compound
- duct tape
- jig saw or keyhole saw
- flat blade screwdriver
- metal snips
- Phillips screwdriver

Parts needed:

- ¾" (19.0 mm) UL- or CSA-listed strain relief
- power supply cable
- metal vent system

Location Requirements

IMPORTANT: Observe all governing codes and ordinances.

Hood location should be away from strong draft areas, such as windows, doors and strong heating vents.

Installation clearance dimensions that are shown must be used. Given dimensions provide minimum clearance.

NOTE: Hood liner must be surrounded by a custom built enclosure.

Cooktop to hood clearance will depend on the material the builder uses to enclose the liner.

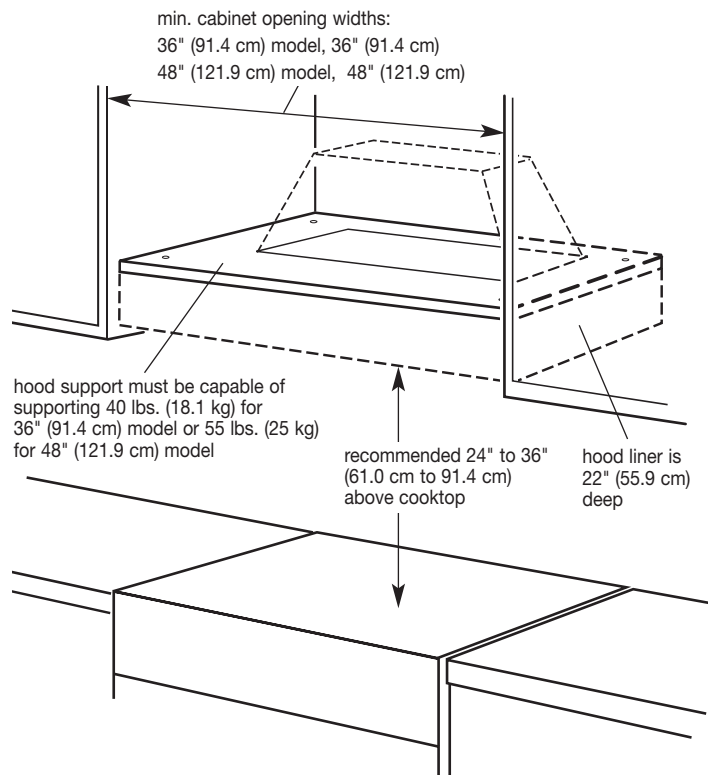
Grounded electrical outlet is required. See "Electrical requirements" section.

It is recommended that the hood be fastened to solid wood.

The hood is factory set for venting through the roof or wall.

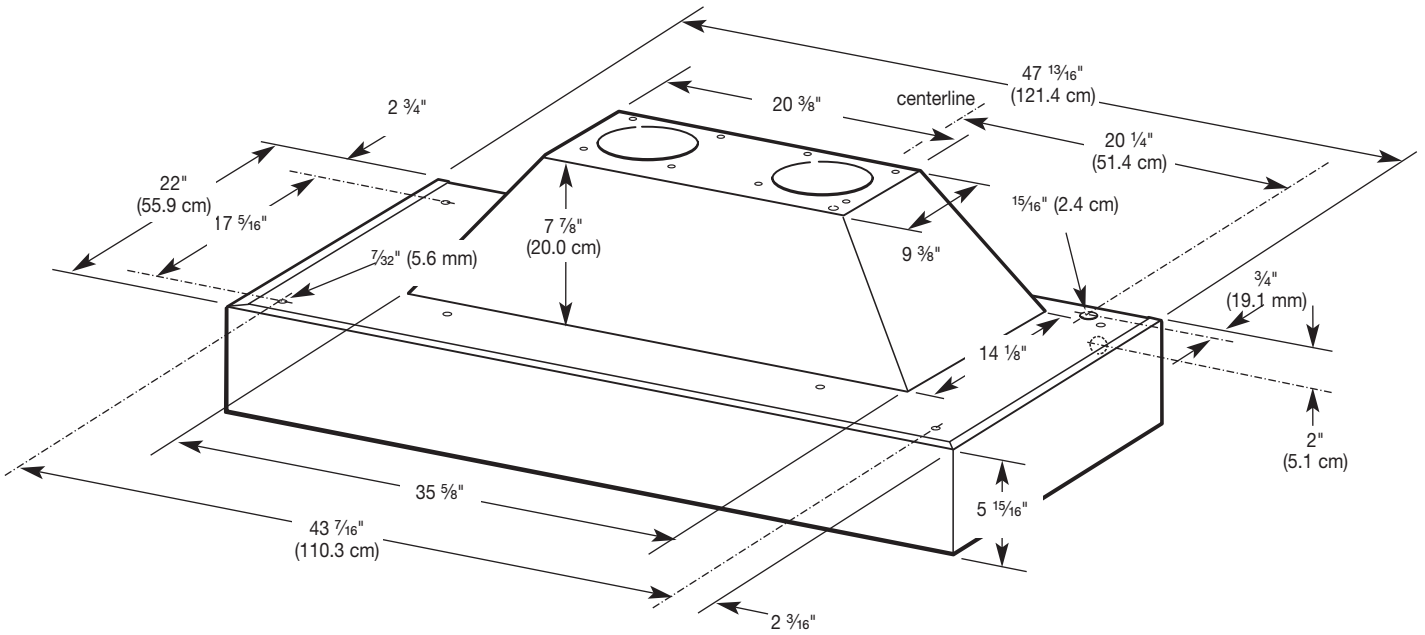
All openings in ceiling and wall where the hood will be installed must be sealed.

Installation Clearances

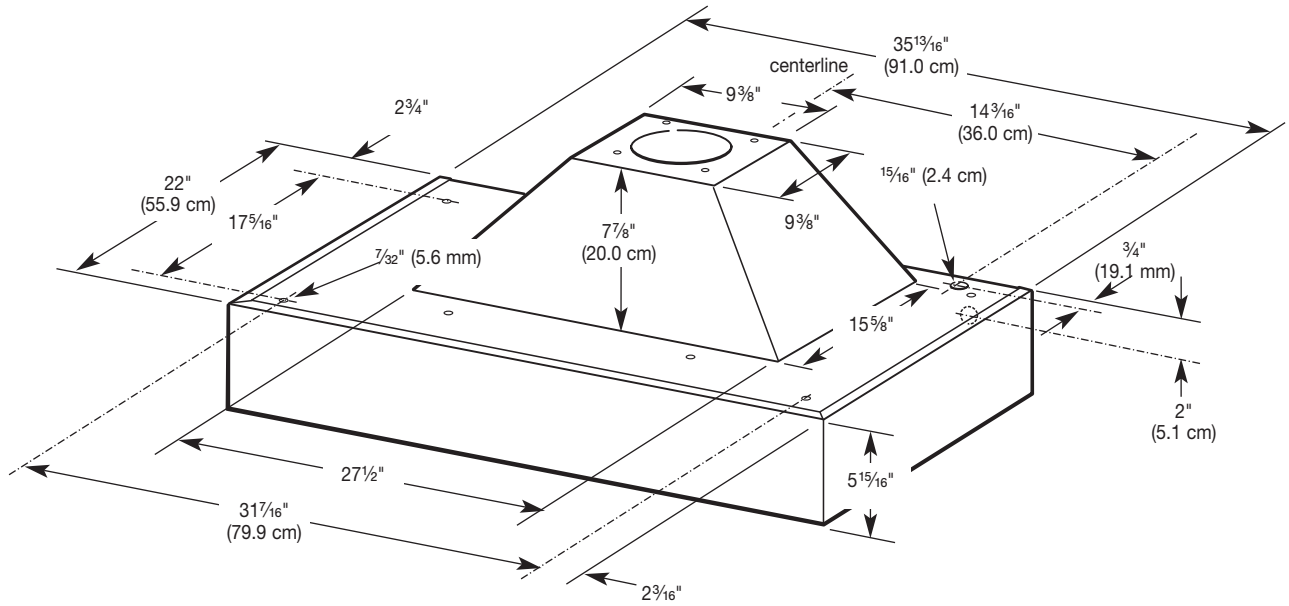


Product Dimensions

48" (121.9 cm) model



36" (91.4 cm) model



Venting Requirements

- 36" (91.4 cm) model requires a 6" (15.2 cm) round vent system. 48" (121.9 cm) model requires two 6" round vent systems or a 10" (25.4 cm) round system using vent transition kit number 4396915.
- Vent system must terminate to the outside.
- Do not terminate the vent system in an attic or other enclosed area.
- Do not use 4" (10.2 cm) laundry-type wall caps.
- Use metal vent only. Rigid metal vent is recommended. Do not use plastic or metal foil vent.

For the most efficient and quiet operation:

- Use a straight run or as few elbows as possible.
- Use no more than three 90° elbows.
- Make sure there is a minimum of 24" (61 cm) of straight vent between the elbows if more than one elbow is used.
- Do not install two elbows together.
- Use duct tape to seal all joints in the vent system.
- Use caulking to seal exterior wall or roof opening around the cap.

Cold weather installations

An additional backdraft damper should be installed to minimize backward cold air flow and a nonmetallic thermal break to minimize conduction of outside temperatures as part of the vent system. The damper should be on the cold air side of the thermal break.

The break should be as close as possible to where the vent system enters the heated portion of the house.

Make up air

Local building codes may require the use of make-up air systems when using ventilation systems greater than specified CFM of air movement. The specified CFM varies from locale to locale. Consult your HVAC professional for specific requirements in your area.

Venting Methods

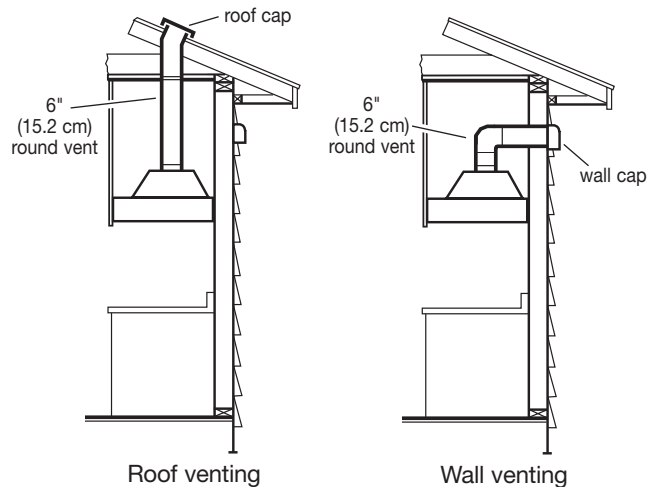
This canopy hood is factory set for venting through the roof or wall.

The 36" (91.4 cm) model requires a 6" (15.2 cm) round vent system for installation (not included). The 48" (121.9 cm) model requires two 6" (15.2 cm) round vent systems or a 10" (25.4 cm) round vent system for installation. The hood exhaust opening is 6" (15.2 cm) round.

NOTE: Flexible vent is not recommended. Flexible vent creates back pressure and air turbulence that greatly reduces performance.

Vent system can terminate either through the roof or wall. To vent through a wall, a 90° elbow is needed.



For recirculating installations, make sure the hood exhausts back into kitchen, not into spaces within wall, ceilings, attics, crawl spaces or garages.

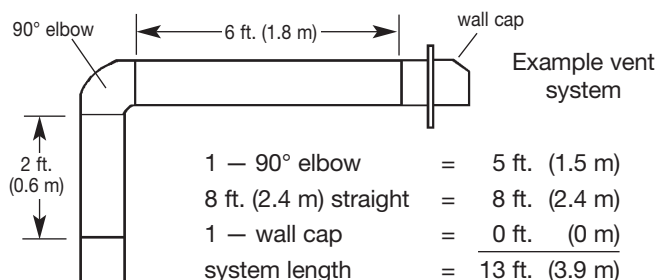


Calculating Vent System Length

To calculate the length of the system you need, add the equivalent feet (meters) for each vent piece used in the system.

Maximum equivalent vent length is 35 feet (10.7 meters) for 6" (15.2 cm) vent, 60 feet (18.3 m) for 10" (25.4 cm) vent.

Vent piece	6" (15.2 cm) round or 10" (25.4 cm) round
45° elbow	2.5 feet (0.8 m) 
90° elbow	5.0 feet (1.5 m) 



Electrical Requirements

⚠ WARNING



Electrical Shock Hazard

Disconnect power before servicing.

Replace all parts and panels before operating.

Failure to do so can result in death or electrical shock.

IMPORTANT: The hood must be electrically grounded in accordance with local codes and ordinances, or in the absence of local codes, with the National Electrical Code, ANSI/NFPA 70, latest edition, or Canadian Electrical Code, CSA C22.1, latest edition.

If codes permit and a separate ground wire is used, it is recommended that a qualified electrical installer determine that the ground path is adequate.

A copy of the above code standards can be obtained from:

National Fire Protection Association
One Batterymarch Park, Quincy, MA 02269

CSA International
8501 East Pleasant Valley Road
Cleveland, Ohio 44131-5575

- A 120-volt, 60-Hz, AC-only, 15-amp, fused electrical circuit is required. A time-delay fuse or circuit breaker is also recommended. It is recommended that a separate circuit serving only this hood be provided.
- Do not ground to a gas pipe.
- Check with a qualified electrician if you are not sure range hood is properly grounded.
- Do not have a fuse in the neutral or ground circuit.
- The range hood must be connected with copper wire only.
- The range hood should be connected directly to the fused disconnect (or circuit breaker) box through flexible armored or nonmetallic sheathed copper cable.
- A UL- or CSA-listed strain relief must be provided at each end of the power supply cable. Wire sizes (copper wire only) and connections must conform with the rating of the appliance as specified on the model/serial rating plate.
- Wire sizes must conform to the requirements of the National Electrical Code, ANSI/NFPA 70, latest edition, or CSA Standards C22.1-94, Canadian Electrical Code, Part 1 and C22.2 No. 0-M91, latest edition, and all local codes and ordinances.

INSTALLATION INSTRUCTIONS

Prepare Location

- Cover countertop or cooking surface with a thick, protective covering to prevent damaging them.

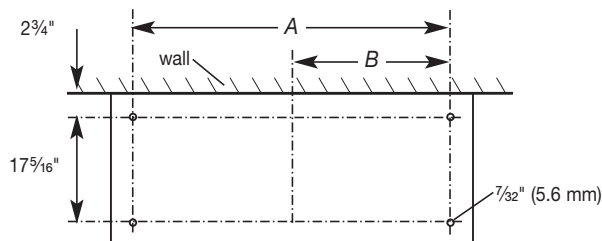
⚠ WARNING

Excessive Weight Hazard

Use two or more people to move and install range hood.

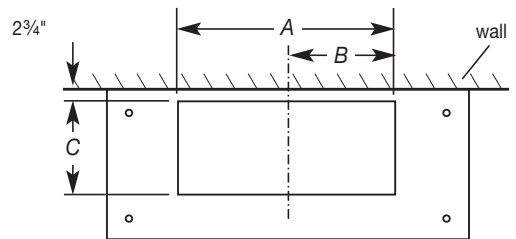
Failure to do so can result in back or other injury.

1. Mark the locations of the four $\frac{7}{32}$ " (5.6 mm) dia. holes on the hood support as shown.



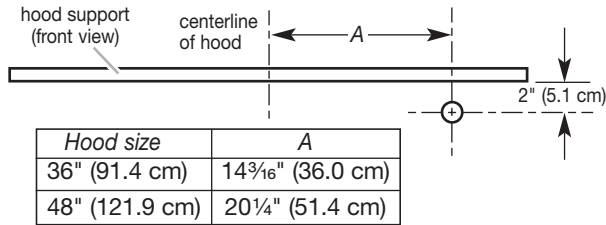
Hood size	A	B
36" (91.4 cm)	31 $\frac{7}{16}$ " (79.9 cm)	15 $\frac{23}{32}$ " (39.9 cm)
48" (121.9 cm)	43 $\frac{7}{16}$ " (110.3 cm)	21 $\frac{23}{32}$ " (55.2 cm)

2. Drill the four holes.
3. Provide a rectangular clearance hole for the blower motor housing.

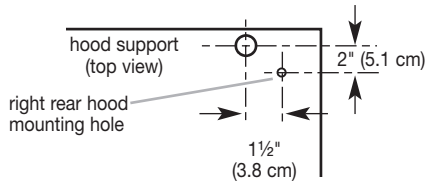


Hood size	A	B	C
36" (91.4 cm)	28" (71.1 cm)	14" (35.5 cm)	16" (40.6 cm)
48" (121.9 cm)	36" (91.4 cm)	18" (45.7 cm)	14 $\frac{1}{2}$ " (36.8 cm)

4. ■ If using the rear electrical knockout, drill a 1¼" (3.0 cm) dia. hole through the wall at the location shown.

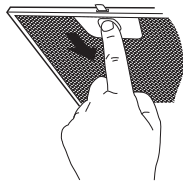


- If using the top electrical knockout, drill a 1¼" (3.0 cm)



dia. hole through the hood support at the location shown.

5. Remove the filters. Use two hands to remove filter. Push tab



back to release the locking pin, pull down and forward. Set filter aside. Repeat with other filter(s).

6. Remove the wiring box cover located behind the right hand filter.
7. Install UL- or CSA-listed strain relief in hood liner so that

screws can be tightened.

⚠ WARNING



Electrical Shock Hazard

Disconnect power before servicing.

Replace all parts and panels before operating.

Failure to do so can result in death or electrical shock.

Make Electrical Connection

1. Disconnect power.
2. Run power supply cable to the hood electrical hole according to the National Electrical Code or CSA Standards and local codes and ordinances. There must be enough power supply cable from the fused disconnect (or circuit breaker) box to make the connection in the hood's electrical wiring box.

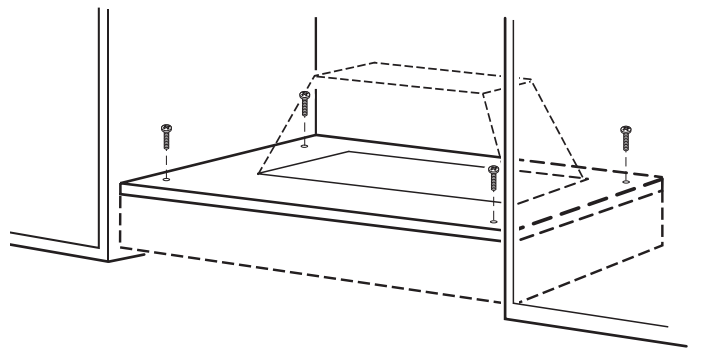
⚠ WARNING

Excessive Weight Hazard

Use two or more people to move and install range hood.

Failure to do so can result in back or other injury.


3. Remove the four mounting screws from the parts bag. It is recommended they be placed by the holes in the hood liner support for quick access.
4. While feeding the wiring through the strain relief, lift the hood



liner into place.

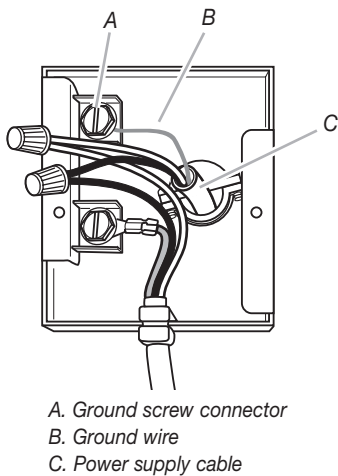
5. Insert the screws through the support and thread into the

⚠ WARNING



Electrical Shock Hazard
Electrically ground the blower.
Connect ground wire to green ground screw in wiring box.
Failure to do so can result in death or electrical shock.

hood liner holes. Tighten screws securely.

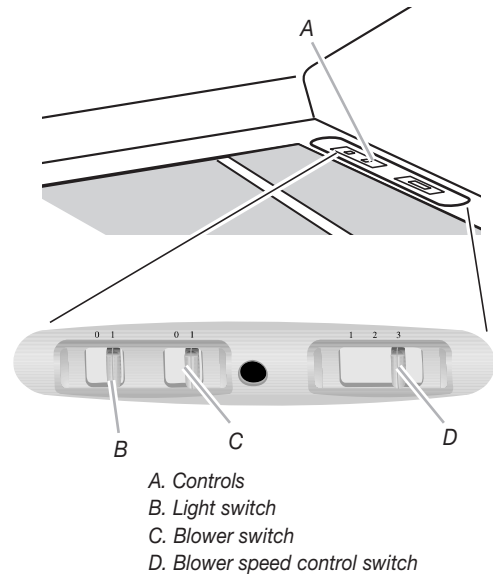


6. Use twist-on connectors and connect black wires together.
7. Use twist-on connectors and connect white wires together.
8. Connect green or bare wire to the ground screw connector.
9. Tighten strain relief securely.
10. Replace wiring box cover. Tighten screw securely.
11. Reconnect power.

Complete Installation

1. Connect vent system to hood liner.
2. Seal joints with duct tape.

Check Operation



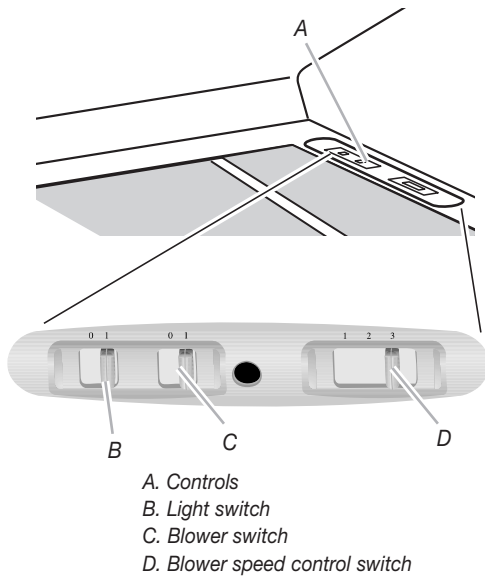
1. Check operation of the range hood by turning the power on.
2. Move the light switch to the "1" position. The light should turn on.
3. Move the light switch to the "0" position. The light should turn off.
4. Move the blower switch to the "1" position. The blower should turn on.
5. Move the blower speed control switch to vary the blower speed from low (left) to high (high).
6. Move the blower switch to the "0" position. The blower should turn off.
7. If range hood does not operate, check that the circuit breaker has not been tripped or the house fuse blown. Disconnect power supply and check that the wiring is correct.
8. Reinstall filters. Place back edge of filter into channel at rear of hood liner and push filter up while pushing tab back. When filter is in place, release tab. Locking pin will hold filter in place.
9. Repeat for other filter(s).
10. Install hood enclosure.

RANGE HOOD USE

Operation

The canopy hood is designed to remove smoke, cooking vapors and odors from the cooktop area. For best results, start the hood before cooking and allow it to operate several minutes after the cooking is complete to clear all smoke and odors from the kitchen.

Hood control panel



Operating the light

1. Move the light switch to the "1" position. The light should turn on.
2. Move the light switch to the "0" position. The light should turn off.

Operating the blower

1. Move the blower switch to the "1" position. The blower should turn on.
2. Move the blower speed control switch to vary the blower speed from low (left) to high (high).
3. Move the blower switch to the "0" position. The blower should turn off.

RANGE HOOD CARE

Cleaning and Maintenance

Be sure lights are cool before cleaning the hood.

Exterior surfaces

- Do not use steel wool or soap-filled scouring pads.
- Rub in direction of the grain line to avoid marring the surface.
- Always wipe dry to avoid water marks.
- KitchenAid® Professional Formula Stainless Steel Cleaner & Polish is the cleaner recommended for cleaning stainless steel surfaces on this product. To order call our Customer Service Center at 1-800-442-9991 or order on-line at www.applianceaccessories.com and ask for part number 8171420. To order from Canada, call 1-800-807-6777.
- If commercial cleaners are used, follow label directions. Do not use products that contain chlorine (bleach). Chlorine is a corrosive substance.

For routine cleaning and fingerprints, use liquid detergent soap and water, or all-purpose cleaner. Wipe with damp cloth or sponge, then rinse with clean water and wipe dry.

Filters

The filters should be washed frequently. Place metal filters in dishwasher or hot detergent solution to clean.

To remove filter:

Use two hands to remove filter. Push tab back to release the locking pin, pull down and forward. Repeat with other filter(s).

To reinstall filter:

1. Place back edge of filter into channel at rear of hood liner.
2. Push filter up while pushing tab back.
3. When filter is in place, release tab. Locking pin will hold filter in place. Repeat with other filter(s).

Replacing the halogen lamps

The hood liner uses 12-volt, 20 watt halogen lamp bulbs.

Before you begin, make sure that the range hood is turned off and that the lamps have had sufficient time to cool.

Never touch a halogen bulb with bare hands. Even a small amount of oil from your hands could cause the bulb to explode when it heats up. If you do touch the bulb directly, clean it with a soft cloth and rubbing alcohol, and let it dry thoroughly, before turning it on.

To replace a halogen lamp:

1. Remove 2 screws from the circular metal trim around the lamp assembly.
2. Pull the trim with the lamp assembly attached down far enough so that the lamp can be pushed out of the socket clips.
3. Insert the new lamp into the socket clips and push the lamp and trim assembly back up into the hood.
4. Replace the screws

Accessories

Charcoal Filters (with grates) kit.....Part Number 4396565

Replacement Charcoal Filters.....Part Number 4378623

Two 6" (15.2 cm) round to 10" (25.4 cm) round vent transition kitPart Number 4396915

REQUESTING ASSISTANCE OR SERVICE

If you need assistance or service in U.S.A.

Call the KitchenAid Customer Interaction Center toll-free at 1-800-253-1301. Our consultants are available to assist you.

When calling: Please know the purchase date, and the complete model and serial number of your appliance. This information will help us better respond to your request.

Our consultants provide assistance with:

- Features and specifications on our full line of appliances
- Installation information
- Use and maintenance procedures
- Accessory and repair parts sales
- Specialized customer assistance (Spanish speaking, hearing impaired, limited vision, etc.)
- Referrals to local dealers, service companies, and repair parts distributors

KitchenAid designated service technicians are trained to fulfill the product warranty and provide after-warranty service, anywhere in the United States.

To locate the designated service company in your area, you can also look in your telephone directory Yellow Pages.

If you need replacement parts

If you need to order replacement parts, we recommend that you use only factory-authorized parts. These parts will fit right and work right, because they are made to the same exacting specifications used to build every new KitchenAid appliance.

To locate factory-authorized parts in your area, call our Customer Interaction Center telephone number, your nearest authorized service center, or 1-800-442-1111.

For further assistance

If you need further assistance, you can write to KitchenAid with any questions or concerns at:

Customer Interaction Center
c/o Correspondence Dept.
2000 North M-63
Benton Harbor, MI 49022-2692

Please include a daytime phone number in your correspondence.

If you need assistance or service in Canada

For product related questions, please call the KitchenAid Canada Inc. Customer Interaction Center toll free: **1-800-461-5681**
Monday to Friday 8:00 a.m. – 6:00 p.m. (EST).
Saturday 8:30 a.m. – 4:30 p.m. (EST).

Our consultants provide assistance with:

- Features and specifications on our full line of appliances.
- Referrals to local dealers.

For parts, accessories and service in Canada

Call **1-800-807-6777**. KitchenAid Canada Inc. designated service technicians are trained to fulfill the product warranty and provide after-warranty service, anywhere in Canada.

For further assistance

If you need further assistance, you can write to KitchenAid Canada Inc. with any questions or concerns at:

Customer Interaction Center
KitchenAid Canada, Inc.
1901 Minnesota Court
Mississauga, Ontario L5N 3A7

Please include a daytime phone number in your correspondence.

KITCHENAID® VENTILATION WARRANTY

ONE YEAR LIMITED WARRANTY

For one year from the date of purchase, when this major appliance is operated and maintained according to instructions attached to or furnished with the product, KitchenAid or KitchenAid Canada (hereafter KitchenAid™) will pay for factory specified parts and repair labor to correct defects in materials or workmanship. Service must be provided by a KitchenAid designated service company.

ITEMS KITCHENAID WILL NOT PAY FOR

1. Service calls to correct the installation of your major appliance, to instruct you how to use your major appliance, to replace or repair house fuses or to correct house wiring or plumbing.
 2. Service calls to repair or replace appliance light bulbs, air filters or water filters. Those consumable parts are excluded from warranty coverage.
 3. Repairs when your major appliance is used for other than normal, single-family household use.
 4. Damage resulting from accident, alteration, misuse, abuse, fire, flood, acts of God, improper installation, installation not in accordance with electrical or plumbing codes, or use of products not approved by KitchenAid.
 5. Replacement parts or repair labor costs for units operated outside the United States or Canada.
 6. Pickup and delivery. This major appliance is designed to be repaired in the home.
 7. Repairs to parts or systems resulting from unauthorized modifications made to the appliance.
 8. Expenses for travel and transportation for product service in remote locations.
 9. The removal and reinstallation of your appliance if it is installed in an inaccessible location or is not installed in accordance with published installation instructions.
-

DISCLAIMER OF IMPLIED WARRANTIES; LIMITATION OF REMEDIES

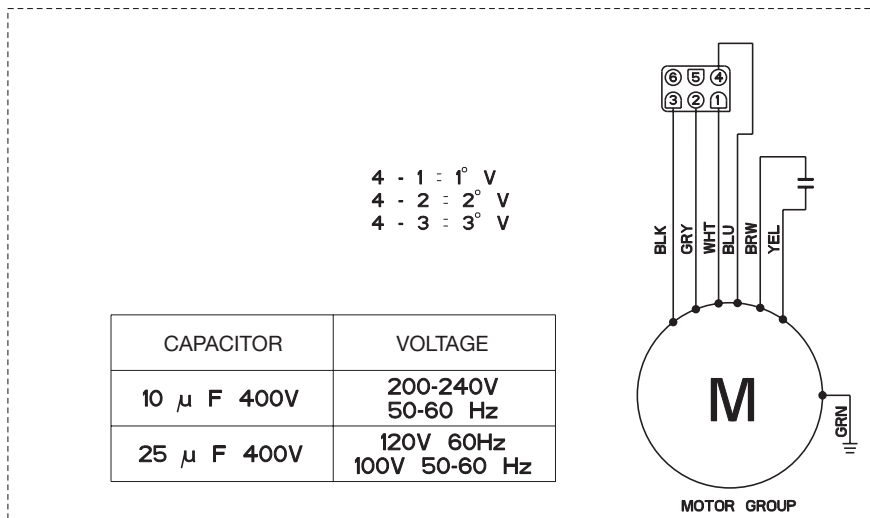
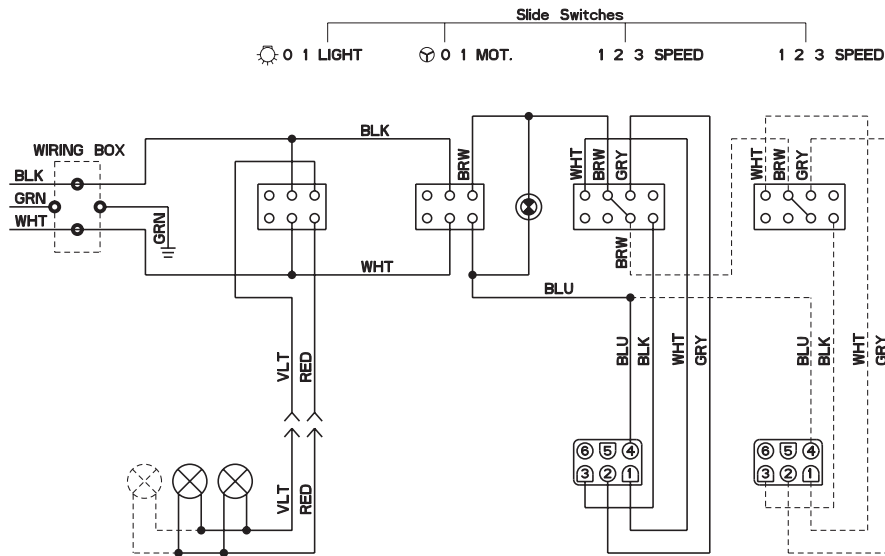
CUSTOMER'S SOLE AND EXCLUSIVE REMEDY UNDER THIS LIMITED WARRANTY SHALL BE PRODUCT REPAIR AS PROVIDED HEREIN. IMPLIED WARRANTIES, INCLUDING WARRANTIES OF MERCHANTABILITY OR FITNESS FOR A PARTICULAR PURPOSE, ARE LIMITED TO ONE YEAR OR THE SHORTEST PERIOD ALLOWED BY LAW. KITCHENAID SHALL NOT BE LIABLE FOR INCIDENTAL OR CONSEQUENTIAL DAMAGES. SOME STATES AND PROVINCES DO NOT ALLOW THE EXCLUSION OR LIMITATION OF INCIDENTAL OR CONSEQUENTIAL DAMAGES, OR LIMITATIONS ON THE DURATION OF IMPLIED WARRANTIES OF MERCHANTABILITY OR FITNESS, SO THESE EXCLUSIONS OR LIMITATIONS MAY NOT APPLY TO YOU. THIS WARRANTY GIVES YOU SPECIFIC LEGAL RIGHTS AND YOU MAY ALSO HAVE OTHER RIGHTS, WHICH VARY FROM STATE TO STATE OR PROVINCE TO PROVINCE.

Outside the 50 United States and Canada, this warranty does not apply. Contact your authorized KitchenAid dealer to determine if another warranty applies.

If you need service, first see the "Troubleshooting" section of the Use & Care Guide. After checking "Troubleshooting," additional help can be found by checking the "Assistance or Service" section or by calling KitchenAid. In the U.S.A., call **1-800-422-1230**. In Canada, call **1-800-807-6777**.

10/05

WIRING DIAGRAM



SÉCURITÉ DE LA HOTTE DE CUISINIÈRE

Votre sécurité et celle des autres est très importante.

Nous donnons de nombreux messages de sécurité importants dans ce manuel et sur votre appareil ménager. Assurez-vous de toujours lire tous les messages de sécurité et de vous y conformer.



Voici le symbole d'alerte de sécurité.

Ce symbole d'alerte de sécurité vous signale les dangers potentiels de décès et de blessures graves à vous et à d'autres.

Tous les messages de sécurité suivront le symbole d'alerte de sécurité et le mot "DANGER" ou "AVERTISSEMENT". Ces mots signifient :

⚠ DANGER

Risque possible de décès ou de blessure grave si vous ne suivez pas immédiatement les instructions.

⚠ AVERTISSEMENT

Risque possible de décès ou de blessure grave si vous ne suivez pas les instructions.

Tous les messages de sécurité vous diront quel est le danger potentiel et vous disent comment réduire le risque de blessure et ce qui peut se produire en cas de non-respect des instructions.

IMPORTANTES INSTRUCTIONS DE SÉCURITÉ

AVERTISSEMENT : POUR RÉDUIRE LE RISQUE D'INCENDIE, CHOC ÉLECTRIQUE OU DOMMAGES CORPORELS, RESPECTER LES INSTRUCTIONS SUIVANTES :

- Utiliser cet appareil uniquement dans les applications envisagées par le fabricant. Pour toute question, contacter le fabricant.
- Avant d'entreprendre un travail d'entretien ou de nettoyage, interrompre l'alimentation de la hotte au niveau du tableau de disjoncteurs, et verrouiller le tableau de disjoncteurs pour empêcher tout rétablissement accidentel de l'alimentation du circuit. Lorsqu'il n'est pas possible de verrouiller le tableau de disjoncteurs, placer sur le tableau de disjoncteurs une étiquette d'avertissement proéminente interdisant le rétablissement de l'alimentation.
- Tout travail d'installation ou câblage électrique doit être réalisé par une personne qualifiée, dans le respect des prescriptions de tous les codes et normes applicables, y compris les codes du bâtiment et de protection contre les incendies.
- Une source d'air de débit suffisant est nécessaire pour le fonctionnement correct de tout appareil à gaz (combustion et évacuation des gaz à combustion par la cheminée), pour qu'il n'y ait pas de reflux des gaz de combustion. Respecter les directives du fabricant de l'équipement de chauffage et les prescriptions des normes de sécurité - comme celles publiées par la National Fire Protection Association (NFPA) et l'American Society for Heating, Refrigeration and Air Conditioning Engineers (ASHRAE), et les prescriptions des autorités réglementaires locales.
- Lors d'opérations de découpage et de perçage dans un mur ou un plafond, veiller à ne pas endommager les câblages électriques ou canalisations qui peuvent s'y trouver.
- Les systèmes d'évacuation doivent toujours décharger l'air à l'extérieur.

MISE EN GARDE : Cet appareil est conçu uniquement pour la ventilation générale. Ne pas l'utiliser pour l'extraction de matières ou vapeurs dangereuses ou explosives.

MISE EN GARDE : Pour minimiser le risque d'incendie et évacuer adéquatement les gaz, veiller à acheminer l'air aspiré par un conduit jusqu'à l'extérieur - ne pas décharger l'air aspiré dans un espace vide du bâtiment comme une cavité murale, un plafond, un grenier, un vide sanitaire ou un garage.

AVERTISSEMENT : POUR RÉDUIRE LE RISQUE D'INCENDIE, UTILISER UNIQUEMENT DES CONDUITS MÉTALLIQUES.

AVERTISSEMENT : POUR MINIMISER LE RISQUE D'UN FEU DE GRAISSE SUR LA CUISINIÈRE :

- Ne jamais laisser un élément de surface fonctionner à puissance de chauffage maximale sans surveillance. Un renversement/débordement de matière grasseuse pourrait provoquer une inflammation et la génération de fumée. Utiliser une puissance de chauffage moyenne ou basse pour le chauffage d'huile.
- Veiller à toujours faire fonctionner le ventilateur de la hotte lors de la cuisson avec une puissance de chauffage élevée ou lors de la cuisson d'un mets à flamber (à savoir crêpes Suzette, cerise jubilé, steak au poivre flambé).
- Nettoyer fréquemment les ventilateurs d'extraction. Veiller à ne pas laisser la graisse s'accumuler sur les surfaces du ventilateur ou des filtres.
- Utiliser toujours un ustensile de taille appropriée. Utiliser toujours un ustensile adapté à la taille de l'élément chauffant.

AVERTISSEMENT: POUR RÉDUIRE LE RISQUE DE DOMMAGES CORPORELS APRÈS LE DÉCLENCHEMENT D'UN FEU DE GRAISSE SUR LA CUISINIÈRE, APPLIQUER LES RECOMMANDATIONS SUIVANTES :^a

- Placer sur le récipient un couvercle bien ajusté, une tôle à biscuits ou un plateau métallique **POUR ÉTOUFFER LES FLAMMES**, puis éteindre le brûleur à gaz ou électrique. **VEILLER À ÉVITER LES BRÛLURES.** Si les flammes ne s'éteignent pas immédiatement, **ÉVACUER LA PIÈCE ET APPELER LES POMPIERS.**
- **NE JAMAIS PRENDRE EN MAIN UN RÉCIPENT ENFLAMMÉ** - vous risquez de vous brûler.
- **NE PAS UTILISER D'EAU**, ni un torchon humide - ceci pourrait provoquer une explosion de vapeur brûlante.
- Utiliser un extincteur **SEULEMENT** si :
 - Il s'agit d'un extincteur de classe ABC, dont on connaît le fonctionnement.
 - Il s'agit d'un petit feu encore limité à l'endroit où il s'est déclaré.
 - Les pompiers ont été contactés.
 - Il est possible de garder le dos orienté vers une sortie pendant l'opération de lutte contre le feu.

^aRecommandations tirées des conseils de sécurité en cas d'incendie de cuisine publiés par la NFPA.

- **AVERTISSEMENT :** Pour réduire le risque d'incendie ou de choc électrique, ne pas utiliser ce ventilateur avec un quelconque dispositif de réglage de la vitesse à semi-conducteurs.

CONSERVEZ CES INSTRUCTIONS

EXIGENCES D'INSTALLATION

Outillage et pièces

Rassembler les outils et pièces nécessaires avant de commencer l'installation. Lire et suivre les instructions fournies avec les outils indiqués ici.

Outillage nécessaire :

- niveau
- perceuse avec forets de 1¼" (3 cm) et 7/32" (6 mm),
- crayon
- pince à dénuder ou couteau utilitaire
- mètre-ruban ou règle
- pince
- pistolet de calfeutrage et composé de calfeutrage résistant à l'eau
- ruban adhésif pour conduits
- scie sauteuse ou scie à guichet
- tournevis à lame plate
- cisaille de ferblantier
- tournevis Phillips

Pièces nécessaires :

- Serre-câble ¾" (19,0 mm) (homologation UL ou CSA)
- câble d'alimentation électrique
- circuit d'évacuation métallique

Exigences d'emplacement

IMPORTANT : Observer les dispositions de tous les codes et règlements en vigueur.

Installer la hotte d'extraction à distance de toute zone exposée à des courants d'air, comme fenêtres, portes et bouches de chauffage.

Respecter les dimensions indiquées pour les ouvertures à découper dans les placards. Les dimensions indiquées prennent en compte les valeurs minimales des dégagements de séparation nécessaires.

NOTE : Installer la doublure de hotte dans une enceinte personnalisée.

L'espace entre la table de cuisson et la hotte dépendra du matériau utilisé par le constructeur pour la doublure

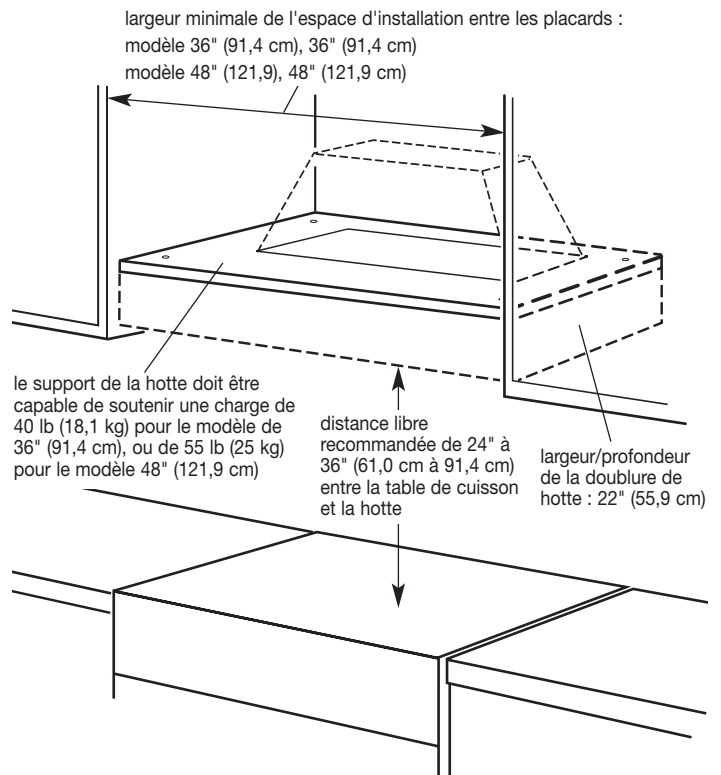
On doit disposer d'une prise de courant électrique reliée à la terre. Voir la section "Spécifications électriques".

On recommande de fixer la hotte sur du bois massif.

La hotte d'extraction a été configurée à l'usine pour la décharge à travers le toit ou à travers le mur.

On devra assurer l'étanchéité de toutes les ouvertures (plafond et mur) découpées pour l'installation de la hotte.

Espaces d'installation



Exigences concernant l'évacuation

- Pour le modèle de 36" (91,4 cm), on doit utiliser un circuit d'évacuation en conduit rond de diamètre 6" (15,2 cm). Pour le modèle de 48" (121,9 cm), on doit utiliser deux circuits d'évacuation en conduit rond de diamètre 6" (15,2 cm), ou un unique circuit d'évacuation en conduit rond de diamètre 10" (25,4 cm) et un raccord de transition n° 4396915.
- Le circuit d'évacuation de l'air doit se terminer à l'extérieur.
- Ne pas terminer le circuit d'évacuation dans un espace fermé (grenier ou autre).
- Ne pas utiliser une bouche de décharge murale de 4" (10,2 cm), du type utilisé pour un appareil de buanderie.
- Utiliser uniquement du conduit métallique. On recommande l'emploi de conduit rigide. Ne pas utiliser de conduit de plastique ou de métal très mince.

Pour obtenir un fonctionnement efficace et silencieux :

- Utiliser autant que possible des sections droites et minimiser le nombre de coudes.
- Ne pas utiliser plus de trois coudes à 90°.
- Veiller à ce qu'il y ait une section droite de conduit de 24" (61 cm) ou plus entre deux coudes, si on doit utiliser plus de un raccord coudé.
- Ne pas connecter ensemble deux raccords coudés.
- Assurer l'étanchéité de chaque jointure du circuit d'évacuation avec du ruban adhésif pour conduit.
- Utiliser un calfeutrant pour assurer l'étanchéité autour de la bouche de décharge à l'extérieur, entre le conduit et l'ouverture à travers le toit ou le mur.

Installation dans une région à climat froid

Il convient d'installer un clapet anti-reflux additionnel pour minimiser les reflux d'air froid, et d'installer au sein du circuit d'évacuation un matériau non métallique (isolant thermique) pour minimiser la conduction de chaleur entre l'extérieur et l'intérieur de la maison. Par rapport à l'isolant thermique, le clapet anti-reflux devrait être situé du côté froid.

L'isolant thermique doit être placé aussi près que possible de l'endroit où le circuit d'évacuation pénètre dans la partie chauffée de la maison.

Air d'appoint

Le code du bâtiment local peut exiger l'utilisation d'un système d'introduction d'air d'appoint dans le cas où la capacité d'extraction (pieds cubes d'air par minute) de la hotte est supérieure à une valeur spécifiée. La valeur spécifiée (débit d'air, en pieds cubes par minute) est variable d'une juridiction à une autre. Pour déterminer les exigences spécifiques, consulter un professionnel local des installations de chauffage et climatisation.

Méthodes d'évacuation

La hotte d'extraction a été configurée à l'usine pour la décharge à travers le toit ou à travers le mur.

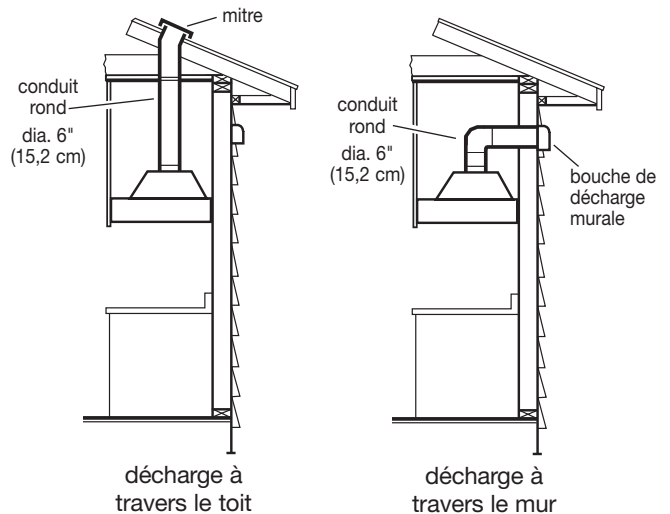
Pour le modèle de 36" (91,4 cm), on doit utiliser un circuit d'évacuation en conduit rond de diamètre 6" (15,2 cm). Pour le modèle de 48" (121,9 cm), on doit utiliser deux circuits d'évacuation en conduit rond de diamètre 6" (15,2 cm), ou un unique circuit d'évacuation en conduit rond de diamètre 10" (25,4 cm). La hotte comporte une ouverture de sortie de diamètre 6" (15,2 cm).

NOTE : On déconseille l'emploi d'un conduit flexible. Un conduit flexible peut susciter une rétro-pression et des turbulences de

l'air, ce qui réduit considérablement la performance.

La sortie à l'extérieur du circuit d'évacuation peut se faire à travers le toit ou à travers un mur. Pour la sortie à travers un mur, on doit employer un raccord coudé à 90°.

Pour une installation avec recyclage, veiller à ce que l'air aspiré par la hotte soit déchargé dans la cuisine et non pas dans une cavité fermée - murs, plafonds, greniers, vides sanitaires ou garages.

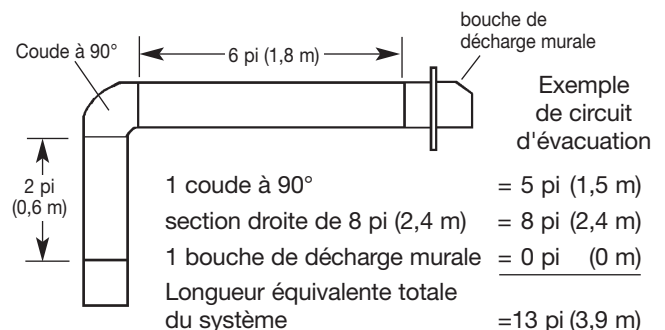


Calcul de la longueur effective du circuit d'évacuation

Pour calculer la longueur effective du circuit d'évacuation nécessaire, additionner les longueurs équivalentes (pieds/mètres) de tous les composants utilisés dans le système.

La longueur équivalente du circuit ne doit pas dépasser 35 pieds (10,7 mètres) pour un circuit d'évacuation en conduit de diamètre 6" (15,2 cm), ou 60 pieds (18,3 mètres) pour un circuit d'évacuation en conduit de diamètre 10" (25,4 cm).

Composant du circuit	Conduit rond dia. 6" (15,2 cm) ou dia. 10" (25,4 cm)
Coude à 45°	2,5 pi (0,8 m)
Coude à 90°	5,0 pi (1,5 m)



Spécifications électriques

⚠ AVERTISSEMENT



Risque de choc électrique

Déconnecter la source de courant électrique avant l'entretien.

Replacer pièces et panneaux avant de faire la remise en marche.

Le non-respect de ces instructions peut causer un décès ou un choc électrique.

IMPORTANT : La hotte doit être correctement reliée à la terre en conformité avec les codes et règlements locaux en vigueur, ou en l'absence d'un tel code, conformément aux prescriptions de la plus récente édition du National Electrical Code, ANSI/NFPA 70, ou du Code canadien des installations électriques, CSA C22.1.

Si les codes en vigueur le permettent et si on utilise un conducteur distinct de liaison à la terre, il est recommandé qu'un électricien qualifié vérifie la qualité de la liaison à la terre.

Pour obtenir un exemplaire des codes mentionnés ci-dessus, contacter :

National Fire Protection Association
One Batterymarch Park, Quincy, MA 02269

CSA International
8501 East Pleasant Valley Road
Cleveland, Ohio 44131-5575

- L'appareil doit être alimenté par un circuit de 120 V, 60 Hz, CA seulement, 15 ampères, protégé par fusible. On recommande également d'utiliser un fusible ou un disjoncteur temporisé. Il est recommandé d'alimenter la hotte par un circuit distinct qui n'alimente que cet appareil.
- Ne pas utiliser une tuyauterie de gaz pour le raccordement à la terre.
- En cas de doute quant à la qualité de la liaison à la terre de la hotte, consulter un électricien qualifié.
- Ne pas installer un fusible dans le conducteur neutre ou dans le conducteur de liaison à la terre.
- La hotte doit être raccordée au réseau électrique uniquement avec des conducteurs de cuivre.
- La hotte doit être raccordée directement au coupe-circuit avec fusible ou au disjoncteur par l'intermédiaire d'un câble à conducteurs de cuivre, à blindage métallique flexible ou à gaine non-métallique.
- Un serre-câble (homologation UL ou CSA) doit être installé à chaque extrémité du câble d'alimentation. Le calibre des conducteurs (cuivre seulement) et les connexions doivent être compatibles avec la demande de courant de l'appareil spécifiée sur la plaque signalétique.
- La taille des conducteurs doit satisfaire aux prescriptions de la plus récente édition du National Electrical Code, ANSI/NFPA 70, ou du Code canadien des installations électriques, normes CSA C22.1-94 et C22.2 n° 0-M91, et aux prescriptions de tous les codes et règlements locaux en vigueur.

INSTRUCTIONS D'INSTALLATION

Préparation de l'emplacement

- Placer un épais matériau de protection sur le plan de travail et la table de cuisson, pour la protection contre des dommages et contre les souillures.

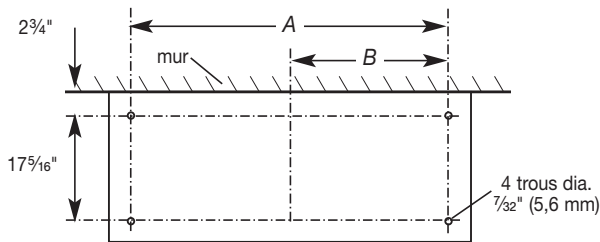
AVERTISSEMENT

Risque du poids excessif

Utiliser deux ou plus de personnes pour déplacer et installer la hotte de la cuisinière.

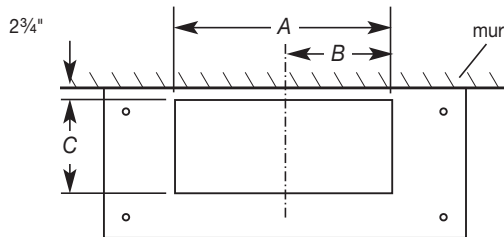
Le non-respect de cette instruction peut causer une blessure au dos ou d'autre blessure.

1. Marquer sur le support de la hotte l'emplacement des quatre trous de $7/32''$ (6 mm) - voir l'illustration.



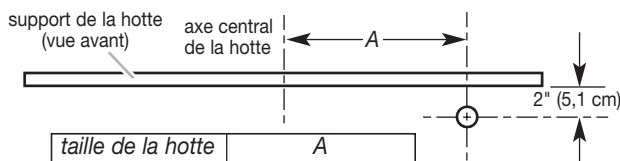
taille de la hotte	A	B
36" (91,4 cm)	31 7/16" (79,9 cm)	15 23/32" (39,9 cm)
48" (121,9 cm)	43 7/16" (110,3 cm)	21 23/32" (55,2 cm)

2. Percer les quatre trous.
3. Réaliser une ouverture rectangulaire pour le carter du moteur du ventilateur.



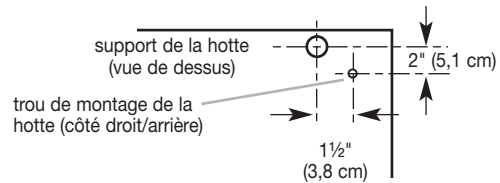
taille de la hotte	A	B	C
36" (91,4 cm)	28" (71,1 cm)	14" (35,5 cm)	16" (40,6 cm)
48" (121,9 cm)	36" (91,4 cm)	18" (45,7 cm)	14 1/2" (36,8 cm)

4. ■ Si on doit utiliser l'opercule arrachable arrière, percer un trou de $1/4''$ (3 cm) dans le mur à l'emplacement indiqué.

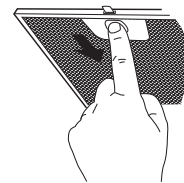


taille de la hotte	A
36" (91,4 cm)	14 3/16" (36,0 cm)
48" (121,9 cm)	20 1/4" (51,4 cm)

- Si on doit utiliser l'opercule arrachable du sommet, percer un trou de $1/4''$ (3 cm) dans le support de hotte à l'emplacement indiqué.



5. Ôter les filtres (utiliser les deux mains). Pousser la patte vers l'arrière pour libérer la broche de verrouillage; tirer vers le bas et vers l'avant. Conserver le filtre à part. Répéter ces opérations pour chaque autre filtre.



6. Ôter le couvercle du boîtier de connexion, derrière le filtre de droite.
7. Installer un serre-câble (homologation UL ou CSA) sur la doublure de hotte - veiller à ce qu'il soit possible de serrer les vis.

Raccordement électrique

AVERTISSEMENT



Risque de choc électrique

Déconnecter la source de courant électrique avant l'entretien.

Replacer pièces et panneaux avant de faire la remise en marche.

Le non-respect de ces instructions peut causer un décès ou un choc électrique.

1. Déconnecter la source de courant électrique.
2. Placer un câble d'alimentation jusqu'au boîtier de connexion de la hotte - respecter les prescriptions du Code national de l'électricité ou de la norme CSA en vigueur, ou des codes et règlements locaux en vigueur. Il faut que la longueur des conducteurs soit suffisante pour qu'il soit possible de réaliser la liaison entre le tableau de distribution et la hotte, et les connexions dans la boîte de connexion de la hotte.
3. Trouver les quatre vis de montage dans le sachet de pièces. On recommande de placer les vis à proximité des trous sur la doublure de hotte pour pouvoir y accéder facilement.

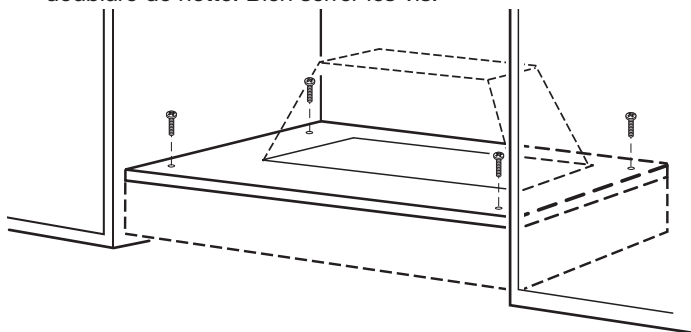
⚠ AVERTISSEMENT

Risque du poids excessif

Utiliser deux ou plus de personnes pour déplacer et installer la hotte de la cuisinière.

Le non-respect de cette instruction peut causer une blessure au dos ou d'autre blessure.

4. Tout en enfilant le câble d'alimentation à travers le serre-câble, soulever la doublure de hotte pour la mettre en place.
5. Insérer les vis à travers le support et dans les trous de la doublure de hotte. Bien serrer les vis.



6. Connecter les conducteurs noirs ensemble - utiliser un connecteur de fils à vis.
7. Connecter les conducteurs blancs ensemble - utiliser un connecteur de fils à vis.

⚠ AVERTISSEMENT



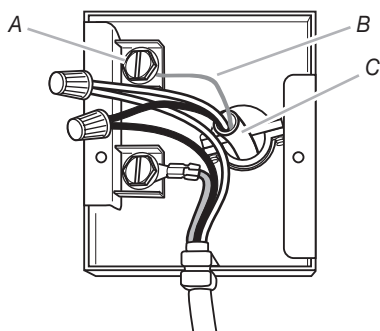
Risque de choc électrique

Relier le ventilateur à la terre.

Brancher le fil relié à la terre à la vis verte reliée la terre dans la boîte de connexion.

Le non-respect de cette instruction peut causer un décès ou un choc électrique.

8. Connecter le conducteur vert ou nu à la vis de liaison à la terre.



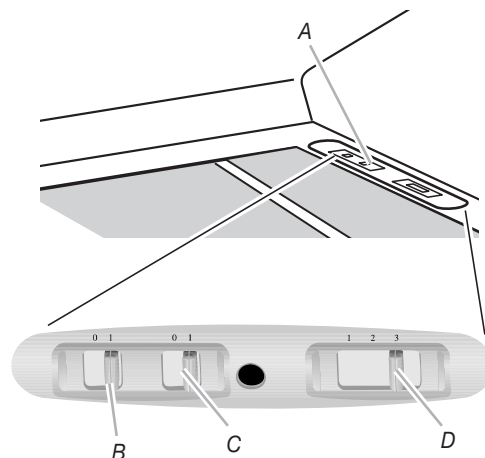
A. Vis de liaison à la terre
B. Conducteur de liaison à la terre
C. Câble d'alimentation électrique

9. Bien serrer le serre-câble.
10. Réinstaller le couvercle du boîtier de connexion. Bien serrer la vis.
11. Reconnecter la source de courant électrique.

Achever l'installation

1. Raccorder le circuit d'évacuation à la doublure de hotte.
2. Assurer l'étanchéité des jointures avec du ruban adhésif pour conduits.

Contrôle du fonctionnement



A. Boutons de commande
B. Commutateur d'éclairage
C. Commutateur du ventilateur
D. Sélecteur de vitesse du ventilateur

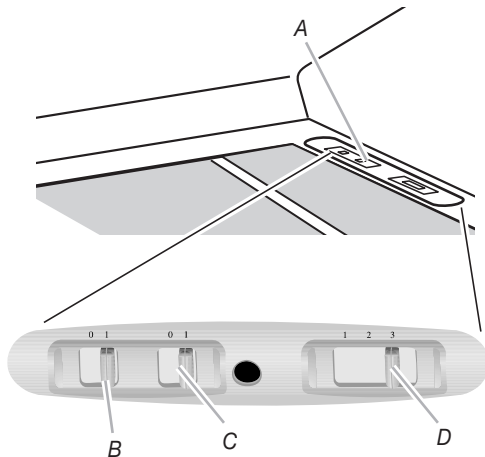
1. Mettre l'appareil sous tension pour vérifier le bon fonctionnement de la hotte.
2. Pousser le commutateur d'éclairage à la position "1". La lampe doit s'allumer.
3. Pousser le commutateur d'éclairage à la position "0". La lampe doit s'éteindre.
4. Placer le commutateur du ventilateur à la position "1"; le ventilateur doit se mettre en marche.
5. Placer le bouton du sélecteur de vitesse à chacune des positions pour contrôler le fonctionnement aux diverses vitesses.
6. Placer le commutateur du ventilateur à la position "0"; le ventilateur doit s'arrêter.
7. Si la hotte ne fonctionne pas, déterminer si le circuit est correctement alimenté (disjoncteur ouvert ou fusible grillé?). Déconnecter la source de courant électrique du circuit, et vérifier que le câblage est correct.
8. Réinstaller les filtres. Placer le bord arrière du filtre dans la rainure à l'arrière de la doublure de hotte et pousser le filtre vers le haut tout en poussant la patte de verrouillage. Lorsque le filtre est en place, lâcher la patte de verrouillage; la tige de blocage retiendra le filtre en place.
9. Répéter ces opérations pour les autres filtres.
10. Installer l'enceinte de hotte.

UTILISATION DE LA HOTTE DE CUISINIÈRE

Fonctionnement

La hotte est conçue pour extraire fumée, vapeurs de cuisson et odeurs au-dessus de la table de cuisson. Pour obtenir les meilleurs résultats, mettre le ventilateur de la hotte en marche avant d'entreprendre une cuisson, et laisser le ventilateur fonctionner pendant plusieurs minutes après l'achèvement d'une cuisson pour pouvoir évacuer de la cuisine toute trace d'odeur de cuisson, vapeur ou fumée.

Tableau de commande de la hotte



- A. Boutons de commande
- B. Commutateur d'éclairage
- C. Commutateur du ventilateur
- D. Sélecteur de vitesse du ventilateur

Commande d'éclairage

1. Pousser le commutateur d'éclairage à la position "1". La lampe doit s'allumer.
2. Pousser le commutateur d'éclairage à la position "0". La lampe doit s'éteindre.

Commande du ventilateur

1. Placer le commutateur du ventilateur à la position "1"; le ventilateur doit se mettre en marche.
2. Placer le bouton du sélecteur de vitesse à chacune des positions pour contrôler le fonctionnement aux diverses vitesses.
3. Placer le commutateur du ventilateur à la position "0"; le ventilateur doit s'arrêter.

ENTRETIEN DE LA HOTTE DE CUISINIÈRE

Nettoyage et entretien

Avant toute opération de nettoyage de la hotte, vérifier que les lampes ont refroidi.

Surfaces externes

- Ne pas utiliser de tampon de laine d'acier ou un tampon de récurage savonneux.
- Frotter dans la direction des lignes du grain pour ne pas détériorer la surface.
- Sécher par essuyage pour éviter de laisser des marques d'eau.
- Pour le nettoyage des surfaces d'acier inoxydable de ce produit, on recommande l'emploi du produit de nettoyage et poli pour acier inoxydable KitchenAid® Professional Formula. On peut commander ce produit auprès du Centre de service à la clientèle au 1-800-442-9991 ou en ligne à www.applianceaccessories.com; commander la pièce n° 8171420. Pour commander au Canada, téléphoner au 1-800-807-6777.
- Dans le cas de l'utilisation d'un produit de nettoyage commercial, appliquer les instructions fournies avec le produit. Ne pas utiliser un produit qui pourrait contenir du chlore (agent corrosif).

Pour le nettoyage de routine et l'élimination des marques de doigt, utiliser de l'eau et un savon détergent liquide. Essuyer avec une éponge ou un chiffon humide, puis rincer avec de l'eau propre, et sécher par essuyage.

Filtres

Laver fréquemment les filtres. Placer les filtres métalliques dans un lave-vaisselle ou une solution de détergent chaude.

Dépose des filtres :

Utiliser les deux mains. Pousser la patte vers l'arrière pour libérer la broche de verrouillage; tirer vers le bas et vers l'avant. Répéter ces opérations pour chaque autre filtre.

Réinstallation des filtres :

1. Placer le bord arrière du filtre dans la rainure à l'arrière de la doublure de hotte.
2. Pousser le filtre vers le haut tout en repoussant la patte de verrouillage.
3. Lorsque le filtre est en place, lâcher la patte de verrouillage; la tige de blocage retiendra le filtre en place. Répéter ces opérations pour les autres filtres.

Remplacement d'une lampe

L'éclairage sous la hotte est assuré par des lampes à halogène (12 V/20 W).

Avant toute intervention, déconnecter la source de courant électrique de la hotte et vérifier que les lampes ont pu refroidir.

Ne jamais toucher une lampe à halogène à mains nues. La plus petite quantité d'huile corporelle provenant des mains pourrait provoquer l'explosion de la lampe sous l'effet de la chaleur.

Advenant un contact direct de la lampe à mains nues, nettoyer la lampe avec un chiffon doux et de l'alcool à friction, et laisser la lampe sécher parfaitement avant de l'allumer.ø

Remplacement d'une lampe à halogène :

1. Ôter les deux vis de fixation de la garniture métallique circulaire de la lampe.
2. Tirer vers le bas la garniture avec la lampe encore attachée, suffisamment pour qu'il soit possible de dégager la lampe des agrafes de la douille.
3. Insérer une lampe neuve et remettre en place dans la hotte la lampe et sa garniture.
4. Réinstaller les vis de fixation.

Accessoires

Filtres à charbon (avec grille) Pièce n° 4396565

Filtres à charbon de rechange Pièce n° 4378623

Raccord de transition pour raccordement de deux sorties de dia. 6" (15,2 cm) à un conduit rond de dia. 10" (25,4 cm) Pièce n° 4396915

DEMANDE D'ASSISTANCE OU DE SERVICE

Si vous avez besoin d'assistance ou de service aux États-Unis

Téléphoner au Centre d'interaction avec la clientèle Kitchenaid sans frais au 1-800-253-1301. Nos consultants sont disponibles pour vous aider.

Lors de votre appel : Veuillez connaître la date d'achat et les numéros de modèle et de série au complet de votre appareil. Ces renseignements nous aideront à mieux répondre à votre demande.

Nos consultants fournissent de l'assistance pour :

- Caractéristiques et spécifications de notre gamme complète d'appareils ménagers
- Renseignements d'installation
- Procédés d'utilisation et d'entretien
- Vente d'accessoires et de pièces de rechange
- Assistance spécialisée au client (langue espagnole, malentendants, malvoyants, etc.)
- Les références aux concessionnaires, compagnies de service de réparation et distributeurs de pièces de rechange locaux

Les techniciens de service désignés par Kitchenaid sont formés pour remplir la garantie des produits et fournir un service après garantie partout aux États-Unis.

Pour localiser la compagnie de service désignée dans votre région, vous pouvez également consulter les Pages jaunes.

Si vous avez besoin de pièces de rechange

Si vous avez besoin de commander des pièces de rechange, nous vous recommandons d'employer uniquement des pièces d'origine. Ces pièces conviendront et fonctionneront bien parce qu'elles sont fabriquées avec la même précision utilisée dans la fabrication de chaque nouvel appareil Kitchenaid.

Pour localiser des pièces de rechange d'origine dans votre région, téléphoner au Centre d'interaction avec la clientèle, au centre de service désigné le plus proche, ou appeler le 1-800-442-1111.

Pour plus d'assistance

Si vous avez besoin de plus d'assistance, vous pouvez écrire à Kitchenaid en soumettant toute question ou problème à :

Customer Interaction Center
c/o Correspondence Dept.
2000 North M-63
Benton Harbor, MI 49022-2692

Dans votre correspondance, veuillez indiquer un numéro de téléphone où l'on peut vous joindre dans la journée.

Si vous avez besoin d'assistance ou de service au Canada

Pour des questions relatives aux produits, veuillez appeler sans frais le Centre d'interaction avec la clientèle de Kitchenaid Canada Inc. au **1-800-461-5681**. Du lundi au vendredi de 8 h 00 à 18 h 00 (HNE). Le samedi de 8 h 30 à 16 h 30 (HNE).

Nos consultants fournissent de l'assistance pour :

- Caractéristiques et spécifications de notre gamme complète d'appareils ménagers
- Références aux concessionnaires locaux

Pour pièces, accessoires et service au Canada

Téléphoner au **1-800-807-6777**. Les techniciens de service désignés par Kitchenaid Canada Inc. sont formés pour remplir la garantie des produits et fournir un service après garantie partout au Canada.

Pour plus d'assistance

Si vous avez besoin de plus d'assistance, vous pouvez écrire à Kitchenaid Canada Inc. en soumettant toute question ou problème au :

Centre d'interaction avec la clientèle
Kitchenaid Canada, Inc.
1901 Minnesota Court
Mississauga, Ontario L5N 3A7

Dans votre correspondance, veuillez indiquer un numéro de téléphone où l'on peut vous joindre dans la journée.

GARANTIE DU SYSTÈME DE VENTILATION KITCHENAID®

GARANTIE LIMITÉE DE UN AN

Pendant un an à compter de la date d'achat, lorsque ce gros appareil ménager est utilisé et entretenu conformément aux instructions jointes à ou fournies avec le produit, KitchenAid ou KitchenAid Canada (ci-après désignées "KitchenAid") paiera pour les pièces spécifiées par l'usine et la main-d'œuvre pour corriger les vices de matériaux ou de fabrication. Le service doit être fourni par une compagnie de service désignée par KitchenAid.

KITCHENAID NE PRENDRA PAS EN CHARGE

1. Les visites de service pour rectifier l'installation du gros appareil ménager, montrer à l'utilisateur comment utiliser l'appareil, remplacer ou réparer des fusibles ou rectifier le câblage ou la plomberie du domicile.
 2. Les visites de service pour réparer ou remplacer les ampoules électriques de l'appareil, les filtres à air ou les filtres à eau. Ces pièces consommables ne sont pas couvertes par la garantie.
 3. Les réparations lorsque le gros appareil ménager est utilisé à des fins autres que l'usage unifamilial normal.
 4. Les dommages imputables à : accident, modification, usage impropre ou abusif, incendie, inondation, actes de Dieu, installation fautive ou installation non conforme aux codes d'électricité ou de plomberie, ou l'utilisation de produits non approuvés par KitchenAid.
 5. Le coût des pièces de rechange et de la main-d'œuvre pour les appareils utilisés hors des États-Unis ou du Canada.
 6. Le ramassage et la livraison. Ce gros appareil ménager est conçu pour être réparé à domicile.
 7. Les réparations aux pièces ou systèmes résultant d'une modification non autorisée faite à l'appareil.
 8. Les frais de voyage ou de transport pour le service d'un produit dans les régions éloignées.
 9. La dépose et la réinstallation de votre appareil si celui-ci est installé dans un endroit inaccessible ou n'est pas installé conformément aux instructions d'installation fournies.
-

CLAUSE D'EXONÉRATION DE RESPONSABILITÉ AU TITRE DES GARANTIES IMPLICITES; LIMITATION DES RECOURS

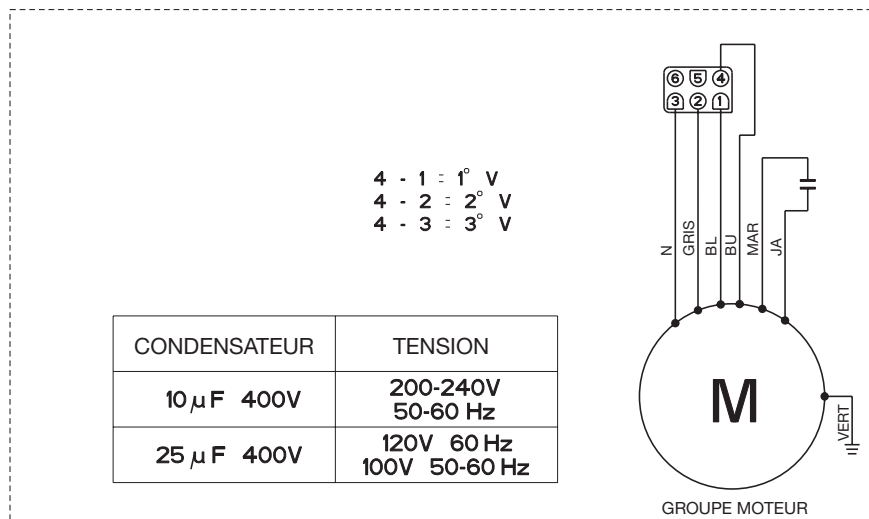
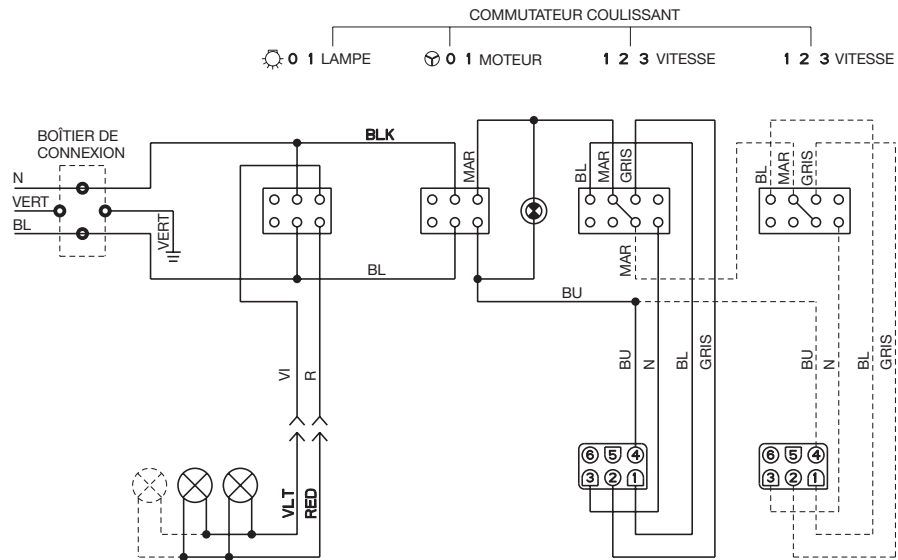
LE SEUL ET EXCLUSIF RECOURS DU CLIENT DANS LE CADRE DE LA PRÉSENTE GARANTIE LIMITÉE CONSISTE EN LA RÉPARATION PRÉVUE CI-DESSUS. LES GARANTIES IMPLICITES, Y COMPRIS LES GARANTIES APPLICABLES DE QUALITÉ MARCHANDE ET D'APTITUDE À UN USAGE PARTICULIER, SONT LIMITÉES À UN AN OU À LA PLUS COURTE PÉRIODE AUTORISÉE PAR LA LOI. KITCHENAID N'ASSUME AUCUNE RESPONSABILITÉ POUR LES DOMMAGES FORTUITS OU INDIRECTS. CERTAINES JURIDICTIONS NE PERMETTENT PAS L'EXCLUSION OU LA LIMITATION DES DOMMAGES FORTUITS OU INDIRECTS, OU LES LIMITATIONS DE LA DURÉE DES GARANTIES IMPLICITES DE QUALITÉ MARCHANDE OU D'APTITUDE À UN USAGE PARTICULIER, DE SORTE QUE CES EXCLUSIONS OU LIMITATIONS PEUVENT NE PAS S'APPLIQUER DANS VOTRE CAS. CETTE GARANTIE VOUS CONFÈRE DES DROITS JURIDIQUES SPÉCIFIQUES ET VOUS POUVEZ ÉGALEMENT JOUIR D'AUTRES DROITS QUI PEUVENT VARIER D'UNE JURIDICTION À UNE AUTRE.

À l'extérieur du Canada et des 50 États des États-Unis, cette garantie ne s'applique pas. Contacter votre marchand KitchenAid autorisé pour déterminer si une autre garantie s'applique.

Si vous avez besoin de service, voir d'abord la section "Dépannage" du Guide d'utilisation et d'entretien. Après avoir vérifié la section "Dépannage", de l'aide supplémentaire peut être trouvée en vérifiant la section "Assistance ou service" ou en appelant KitchenAid. Aux É.-U., composer le **1-800-422-1230**. Au Canada, composer le **1-800-807-6777**.

10/05

SCHÉMA DE CÂBLAGE



NOTES

9763388

© KitchenAid

® Registered trademark/™ trademark of KitchenAid, U.S.A., KitchenAid Canada licensee in Canada

Printed in Italy
Imprimé en Italie

10/2005