

OWNER'S MANUAL BOTTOM FREEZER REFRIGERATOR

Please read this manual carefully before operating your set and retain it for future reference.

MANUAL DE USUARIO REFRIGERADOR CON CONGELADOR INFERIOR

Lea detenidamente este manual antes de empezar a utilizar el refrigerador y guárdelo como referencia para el futuro.

Model Name/Nombre de Modelo **=color number/número de color

LFD22786**	GM-F223RSXM	LM-F223RSX	LM22WGSX
GF22WGS	LFDS22520*	LM22WGSK	LFD22716**

TABLE OF CONTENTS

Important Safety Instructions	2-3	► Freezer Section	
Requirements for Ground Connection	3	Durabase	20
		Durabase Divider	20
		Pullout Drawer	20
Parts and Features	4	Water filter	21-25
Refrigerator Installation	5-12	Care and cleaning	26-27
Unpacking	5	General cleaning tips	26
Installation	5		
How to remove and Install the Refrigerator Doors, handle and drawers	6-11	Connecting the Water Line	28-29
Leveling and Door Alignment	12		
		Troubleshooting Guide	30-39
Using your Refrigerator	13-20	Warranty	40-44
Adjusting Control Settings	13-14		
Automatic Icemaker	15	Smart Diagnosis™	45
Food Storage Guide	16		
► Refrigerator Section			
Water Dispenser	17		
Refrigerator Shelves	18		
Humidity Controlled Crisper	19		
Glide 'N' Serve	19		
Door Bins	20		
Dairy Bin	20		

IMPORTANT SAFETY INSTRUCTIONS

SAFETY MESSAGES

This manual contains several important safety notices. Always read and obey all of the following safety messages.



This is the safety alert symbol. This symbol is a warning to potential dangers that could cause death, injury or damage to you, others or the product. All safety messages will follow after this warning symbol and the word "DANGER", "CAUTION" or "WARNING". These words mean:

! DANGER

You may be killed or suffer fatal damage if you do not follow instructions.

! WARNING

You may be killed or seriously injured if you do not follow instructions.

! CAUTION

Indicates a potentially hazardous situation which, if not avoided, may result in minor injury or damage to the product.

All safety messages inform you of potential danger, advise you on how to reduce the risk of injury and tell you what can occur if the instructions are not followed.

! WARNING

To reduce the risk of fire, electrical shock or personal injury, the following precaution measures should be followed:

- NEVER disconnect the refrigerator by pulling the power cord, always grip the plug firmly and disconnect it directly from the outlet.
 - Immediately repair or replace all faulty or damaged service cables. Do not use cords that have cracks or abrasion damage on the length of the cord or on the plug.
 - When moving your refrigerator, take care not to roll over the electrical cord.
 - DO NOT store or use gasoline or other combustible liquids or vapors in proximity with this or any other electrical appliance.
 - DO NOT store, use on it or in proximity, explosive and/or flammable propellant substances such as: gasoline, aerosol cans or other combustible liquids or vapors in this or any other electrical appliance.
 - Keep your fingers away from areas in which they can become caught, such as the doors, hinges and cabinets. Be careful closing the doors when children are nearby.
 - Unplug the refrigerator before cleaning or repairing.
- NOTE: We strongly recommend that any repair services be performed by a qualified professional.
- Do not keep bottles in the freezer compartment, they could explode after freezing and cause damage.
 - For your safety, this product should be properly grounded. Have a qualified professional check the electrical circuit and outlet to ensure a proper ground connection.
 - Keep ventilation openings, in the appliance enclosure or in the built-in structure, clear of obstruction.
 - Read all instructions before utilizing the product. Utilize this product only as explicitly expressed in this guide.

KEEP THESE INSTRUCTIONS

Risk of Fire and Flammable Materials

*Refrigerant type is indicated in the label inside your refrigerator, this warning apply just for models with R600a refrigerant.



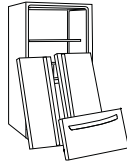
This appliance contains a small amount of isobutane refrigerant (R600a), which is combustible. When transporting and installing the appliance, care should be taken to ensure that no parts of the refrigerating circuit are damaged. Refrigerant squirting out of the pipes could ignite or cause an eye injury. If a leak is detected, avoid any naked flames or potential sources of ignition and air the room in which the appliance is standing for several minutes. In order to avoid the creation of a flammable gas air mixture if a leak in the refrigerating circuit occurs, the size of the room in which the appliance may be sited depends on the amount of refrigerant used. The room must be 10.8 square feet (1 square meter) in size for every 8g of R600a refrigerant inside the appliance. The amount of refrigerant in your particular appliance is shown on the identification plate inside the appliance. Never start up an appliance showing any signs of damage. If in doubt, consult your dealer.

⚠ CAUTION

This appliance is not intended for use by children, persons with physical or mental disabilities, persons with reduced sensory or mental capacity, or persons with lack of experience or know-how, unless they have supervision or instruction in relation to the use of the appliance by the person responsible for their safety. Children should be supervised to assure that they do not play with the appliance.

⚠ DANGER: CHILDREN MAY BECOME TRAPPED

Children becoming trapped or suffocated is not a problem of the past. Discarded and abandoned refrigerators are a hazard, even if they remain there "for just a few days". If you would like to dispose of your old refrigerator, please follow the instructions below to prevent any accidents.



BEFORE DISPOSING YOUR REFRIGERATOR OR FREEZER WHEN NO LONGER IN USE:

- Remove the doors.
- Leave the shelves in place so that children cannot easily become stuck in them.

CFC DISPOSAL

Your old refrigerator may have a cooling system that uses CFC's (chlorofluorocarbons). CFC affects the stratospheric layer of the ozone.

If you decide to throw out your old refrigerator, ensure that CFC contaminants are properly disposed of by a qualified professional. If you intentionally remove the CFC refrigerant, you could be subject to fines or prison in accordance with environmental legislation in effect.

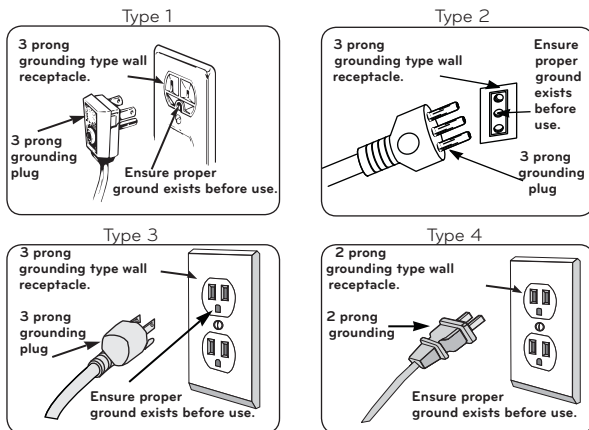
REQUIREMENTS FOR GROUND CONNECTION

IMPORTANT: Attentively read the following.

TO CONNECT ELECTRICITY

⚠ WARNING

ELECTRICAL SHOCK HAZARD
FOR YOUR PERSONAL SAFETY, this appliance must be properly grounded. Have a qualified electrician check your wall outlet to ensure that the plug is grounded properly.



RECOMMENDED GROUNDING METHOD

Your refrigerator must always be plugged to its own outlet which is adequately grounded. The energy current should only be 115 V ~ 60 Hz, 127 V ~ 60 Hz or 220 V ~ 50/60 Hz, AC (according to the National rating type), with a 15 A fuse for voltages between 115 and 127 V or 10 A to 220 V independent voltage protection system from the main supply of your home. (The electrical installation must be verified by a qualified technician).

This provides the best performance and prevents an overload which could cause a fire from the overheating of the cables.

It is recommended that a separate circuit be used for this appliance, as well as a receptacle that cannot be disconnected with a switch.

Do not use an extension cable. It is your responsibility and obligation to replace two-prong outlets with that of an adequately grounded three-prong outlet.

Do not, under any circumstance, cut or extract the third prong from the plug.

NOTE: Before installation, cleaning or replacing light bulbs, you must disconnect the appliance from the power source. When finished, plug the appliance back in and adjust the thermostat to the desired position.

USE OF EXTENSION CABLES

We do not recommend the use of extension cables. However, if you still choose to utilize an extension cable, it is absolutely necessary that it is listed in the UL (in the United States) or CSA (in Canada), that it supports three-pronged plugs and that the electrical current support a 15 A fuse for voltages between 115 and 127 V or 10 A to 220 V. (Verify the electric specification of your country.) The use of an extension cable will increase the amount of space needed behind the refrigerator.

⚠ WARNING

REPLACING ELECTRICAL CABLE

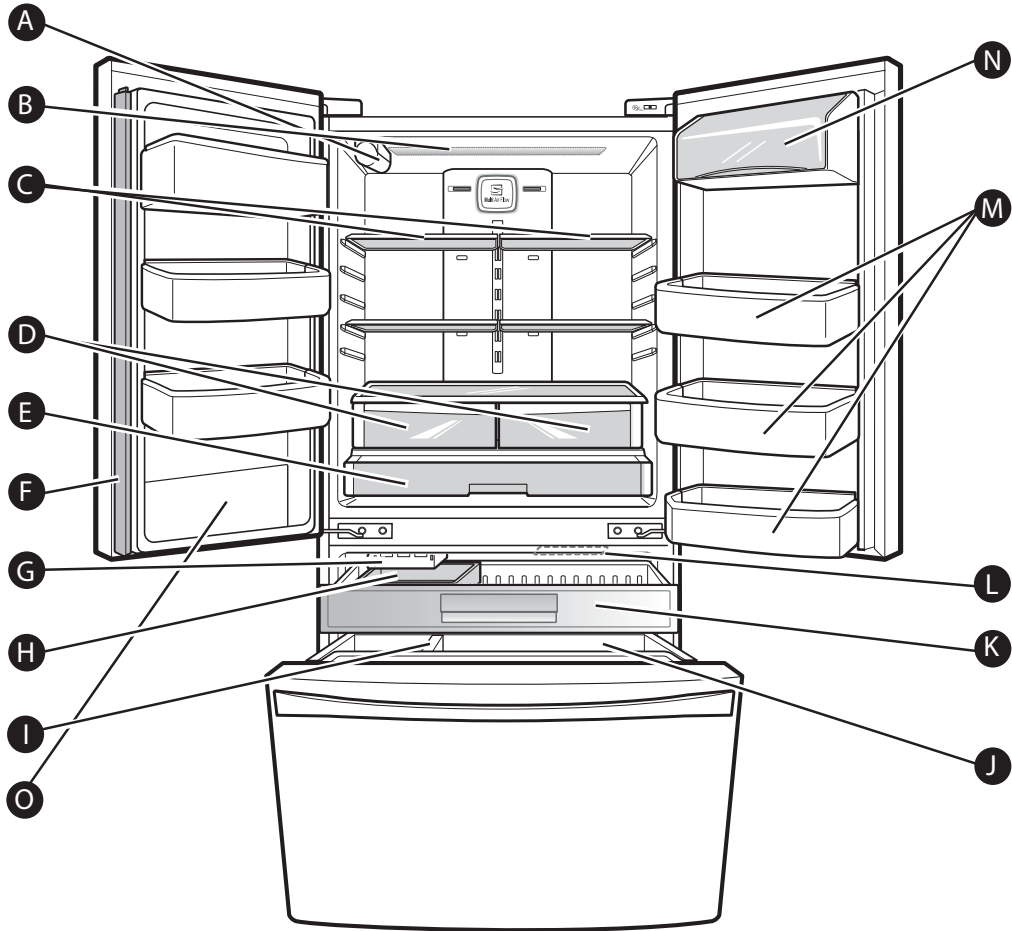
If the power cord is damaged, it must be replaced by our service center or qualified LG technician to avoid any risk.

⚠ WARNING

DO NOT USE MECHANICAL DEVICES

Do not use mechanical devices or other means to accelerate the defrosting process, only those recommended by the manufacturer.

PARTS AND FEATURES



Use this page to become more familiar with the parts and features of your refrigerator.

NOTE: This guide covers several different models. The refrigerator you have purchased may have some or all of the items listed below. The locations of the features shown below may not match your model.

- | | |
|---------------------------------------|---------------------------|
| A Water Filter | I Durabase Divider |
| B Refrigerator Light | J Durabase |
| C Refrigerator Shelves | K Pull Out Drawer |
| D Humidity Controlled Crispers | L Freezer Light |
| E Pantry | M Door Bins |
| F Articulating Mullion | N Dairy Bin |
| G Ice Maker | O Water Tank Cover |
| H Ice Bin | |

* On some models

REFRIGERATOR INSTALLATION

"This appliance is intended to be used in household and similar applications such as:

- Staff kitchen areas in shops, offices and other working environments; farms houses and by clients in hotel, motels and others residential type environments.
- Bed and breakfast type environments; catering and similar non-retail applications."

⚠ WARNING

EXCESSIVE WEIGHT HAZARD

Use the assistance of two or more persons to move or install the refrigerator. Not following these instructions may cause injury to the back and other parts of the body.

UNPACKING

Before installing your refrigerator, remove any tape or temporary stickers. Please remove vinyl from doors before connecting unit to the electrical supply (on some models). Do not remove any stickers that feature warnings, the model serial number or the technical label of the product located on the back of the refrigerator.

To remove adhesive tape residue, rub it well with your fingers and a little liquid detergent. Clean with warm water and let dry.

Do not use sharp instruments, rubbing alcohol, flammable liquids or abrasive cleaning products to remove the adhesive tape or glue. These products can damage the surface of your refrigerator. For more information, see the section on "Important Safety Instructions".

The shelves come already installed in their factory position. Remove the shelves and replace them according to your spacing needs.

Moving Your Refrigerator:

Your refrigerator is extremely heavy. Make sure you protect the floor when moving your refrigerator for cleaning or servicing. Always pull your refrigerator straight out when moving it. Do not shift from side to side or "walk" the refrigerator when attempting to move it as this can cause damage to the floor.



⚠ WARNING

EXPLOSION HAZARD



Keep all flammable materials and vapors (such as gasoline) away from the refrigerator. Not following these instructions may cause death, explosion or fire.

INSTALLATION

1. Avoid placing the unit near heat sources, direct sunlight, or humidity.
2. To avoid vibration, the unit should be leveled. If needed, adjust the leveling screws to compensate for an unlevelled floor. The front should be slightly taller than the rear to ensure that the doors close properly. The leveling screws can easily be turned by slightly tilting the front of the refrigerator, turning the leveling screws clockwise () to raise it and counter-clockwise () to lower it.

3. Install the refrigerator in an area between 55 °F (13 °C) and 110 °F (43 °C). If the surrounding temperature is lower or higher than previously mentioned, it can adversely affect the unit.

⚠ CAUTION: Avoid placing the unit near heat sources, direct sunlight or humidity.

ONCE INSTALLED

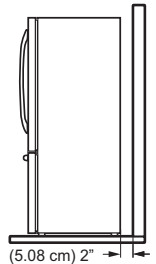
1. Carefully clean your refrigerator and remove and dust accumulated during shipping.
2. Install accessories such as the ice bin, door racks, shelves, etc., in their proper places. These are already packed to prevent any possible damage during shipping.
3. Leave your refrigerator on for 2 to 3 hours before storing food inside. Verify that there is a flow of cold air in the freezer compartment to ensure proper cooling. Your refrigerator is now ready for use.

⚠ WARNING:

- Take care when working with the hinges, base cover and stops, etc. You may injure yourself.
- DO not place your hands or any tools in the air vents, the base cover or in the bottom of the refrigerator. This may cause injury or electrical shock.

Keep a Proper Distance from Adjacent Objects

Please keep the refrigerator at an adequate distance from other objects. Insufficient spacing can reduce the refrigerator's freezing efficiency and increase electricity consumption.



Flooring

To avoid noise and vibration, the unit must be leveled and installed on a solidly constructed floor. If required, adjust the leveling legs to compensate for unevenness of the floor. The front should be slightly higher than the rear to aid in door closing. Leveling legs can be turned easily by tipping the cabinet slightly. Turn the leveling legs to the left to raise the unit or to the right to lower it. (See Leveling and Door Alignment.)

REFRIGERATOR INSTALLATION

HOW TO REMOVE AND INSTALL THE REFRIGERATOR DOORS

For moving the refrigerator through a house door, it might be necessary to remove refrigerator and freezer door handles.

NOTE: Removing the doors is always recommended when it is necessary to move the refrigerator through a narrow opening. If it is necessary to remove the handles, follow the directions below.

TOOLS YOU MIGHT NEED OR USE

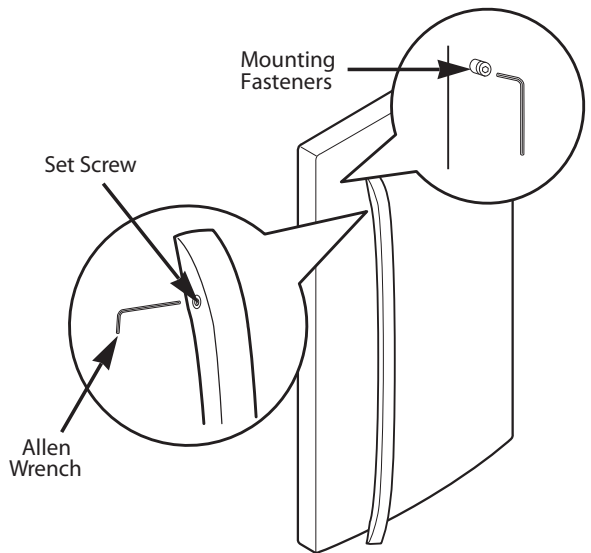


HOW TO REMOVE REFRIGERATOR DOOR HANDLE

NOTE: Handle appearance may vary from illustrations on this page.

Loosen the set screws with a 3/32 in (2,5 mm). Allen wrench and remove the handle.

NOTE: If the handle mounting fasteners need to be tightened or removed, use a 1/4 in (6 mm) Allen wrench.

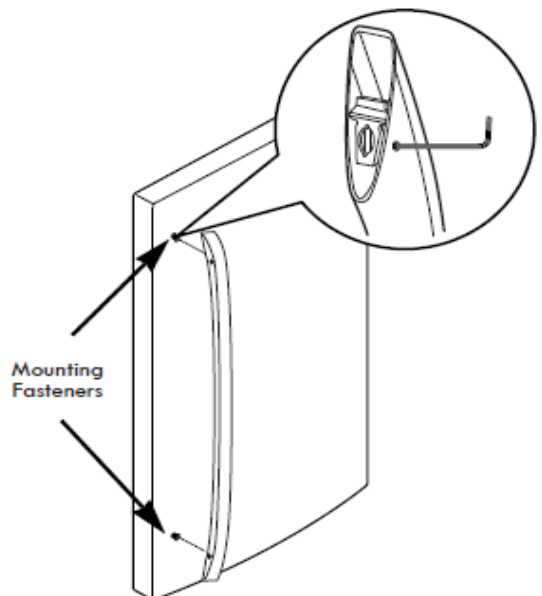


HOW TO REPLACE REFRIGERATOR DOOR HANDLE

NOTE: Handle appearance may vary from illustrations on this page.

Place the handle on the door by fitting the handle footprints over the mounting fasteners and tightening the set screws with a 3/32 in (2,5 mm) Allen wrench.

NOTE: If the handle mounting fasteners need to be tightened or removed, use a 1/4 in (6 mm) Allen wrench.



REFRIGERATOR INSTALLATION

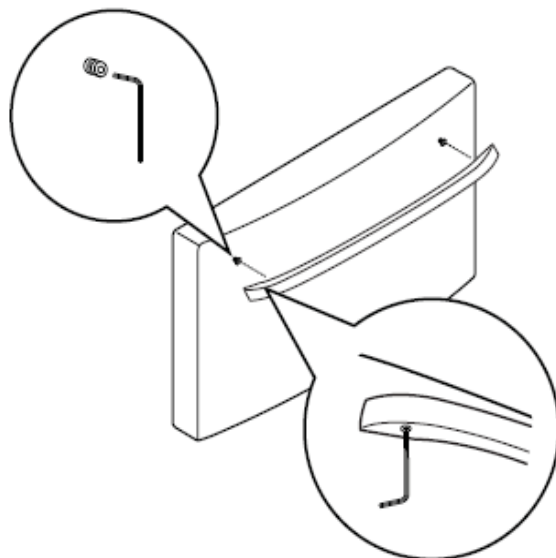
NOTE: Removing the doors is always recommended when it is necessary to move the refrigerator through a narrow opening. If it is necessary to remove the handles, follow the directions below.

HOW TO REMOVE FREEZER DOOR HANDLE

NOTE: Handle appearance may vary from illustrations on this page.

Loosen the set screws located on the lower side of the handle with a 3/32 in (2,5 mm). Allen wrench and remove the handle.

NOTE: If the handle mounting fasteners need to be tightened or removed, use a 1/4 in (6 mm). Allen wrench.

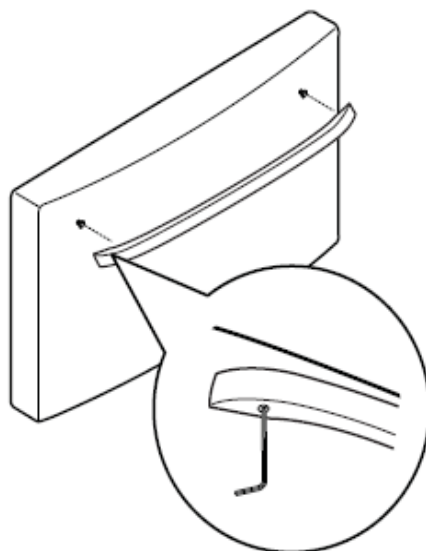


HOW TO REPLACE FREEZER DOOR HANDLE

NOTE: Handle appearance may vary from illustrations on this page.

Place the handle on the door by fitting the handle footprints over the mounting fasteners and tightening the set screws with a 3/32 in (2,5 mm). Allen wrench.

NOTE: If the handle mounting fasteners need to be tightened or removed, use a 1/4 in (6 mm). Allen wrench



REFRIGERATOR INSTALLATION

REMOVING AND REPLACING REFRIGERATOR DOORS

⚠ WARNING

Excessive Weight Hazard:

Use two or more people to remove and install the refrigerator doors. Failure to do so can result in back or other injury.

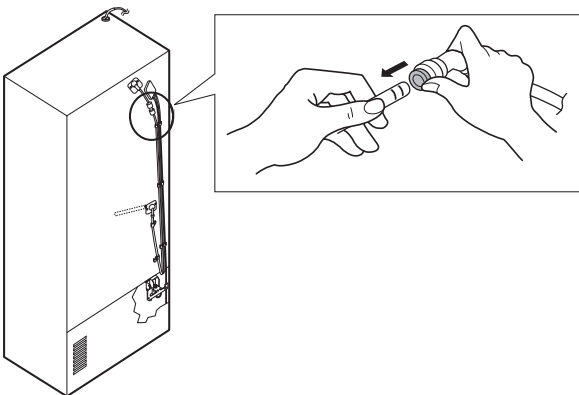
⚠ WARNING

Electrical Shock Hazard

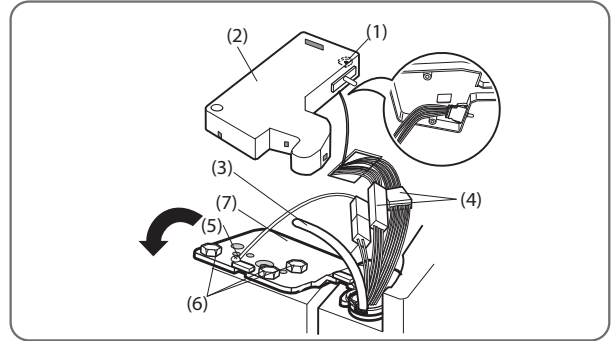
- Disconnect the electrical supply to the refrigerator before installing. Failure to do so could result in serious injury or death.
- Do not put hands, feet or other objects into the air vents or bottom of the refrigerator. You may be injured or receive an electrical shock.

To remove the left refrigerator door:

On the back of the refrigerator, pull the water tube out of the collet fitting on the connector by pressing the fitting release ring (see picture below).



⚠ CAUTION: Before you begin, remove food and bins from the doors.

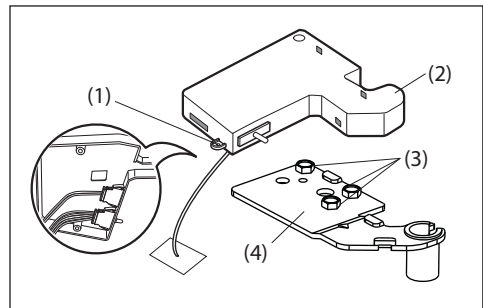


1. Open the door. Remove the top hinge cover screw (1). Lift up the cover (2).
2. Remove the cover.
3. Pull out the tube (3).
4. Disconnect all wire harnesses (4).
5. Remove the grounding screw (5).
6. Remove the three bolts (6) using a 10mm socket wrench. Lift off the top hinge (7).

⚠ CAUTION: When lifting the hinge, be careful that the door does not fall forward.

7. Lift the door from the middle hinge pin and remove the door.
8. Place the door, inside facing up, on a non-scratching surface.

To remove the right refrigerator door:



1. Open the door. Remove the top hinge cover screw (1). Lift up the cover (2).
2. Remove the cover.
3. Remove the three bolts (3) using a 10mm socket wrench. Lift off the top hinge (4)

⚠ CAUTION: When lifting the hinge, be careful that the door does not fall forward.

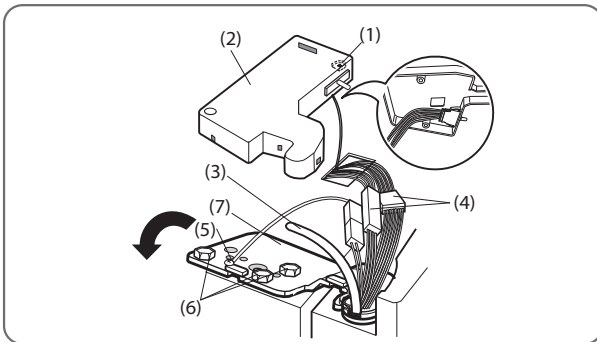
4. Lift the door from the middle hinge pin and remove the door.
5. Place the door, inside facing up, on a non-scratching surface.

REFRIGERATOR INSTALLATION

Reinstalling the Refrigerator Door

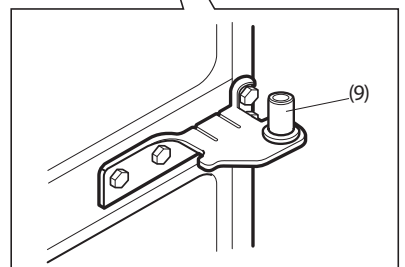
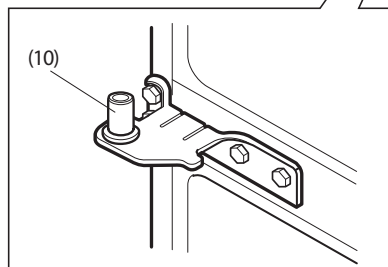
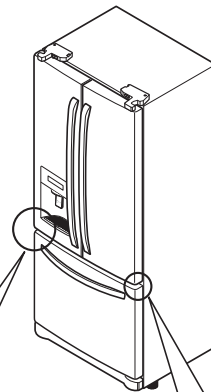
► Left Door

1. Lower the door onto middle hinge pin (10).
2. Line up the holes in the top hinge with the holes in the top of the refrigerator. Insert and tighten the three Bolts (6) in the hinge.
3. Install the grounding screw (5) and connect the two wire harnesses (4).
4. Push the water tube (3) located at the top of the left door into the hole beside the left hinge on the top of the cabinet until it exits through the back.
5. Insert the water supply tube (3) into the connector until you see only one scale mark. Fully insert the tube over 5/8 in. (15 mm).
6. Hook tabs on left side of hinge cover (1) under the edge of the top hinge (7) and position the cover in place. Insert and tighten the cover screw (1).

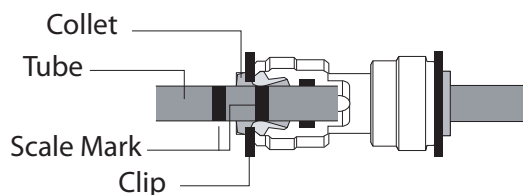


► Right Door

1. Lower the door onto middle hinge pin (9).
2. Line up the holes in the top hinge with the holes in the top of the refrigerator. Insert and tighten the three Bolts (6) in the hinge.
3. Hook the tabs on right side of hinge cover (2) under the edge of the top hinge (4) and position the cover in place. Insert and tighten the cover screw (1).



CAUTION



After inserting, pull the tube to make sure that it is secure and reinsert the clip.

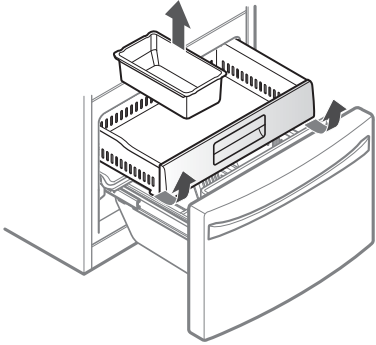
REFRIGERATOR INSTALLATION

HOW TO REMOVE THE FREEZER DRAWER

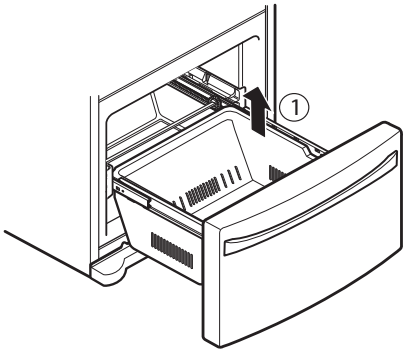
⚠ WARNING: Use two or more people to remove and install the freezer drawer. Failure to do so can result in back or other injury.

⚠ CAUTION: Do not hold the handle when removing or replacing the drawer. The handle may come off, causing personal injury.

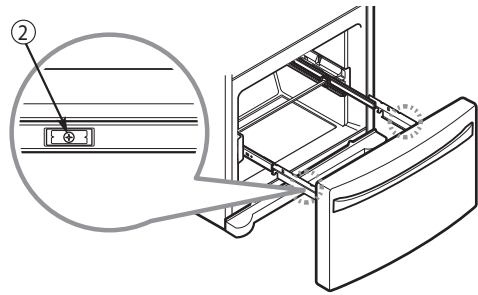
To remove, pull the drawer out to full extension. Lift the drawer up and out, making sure to clear the rail system.



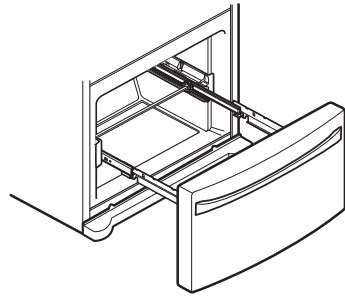
Pull the drawer open to full extension. Remove the lower basket (1) by lifting the basket from the rail system.



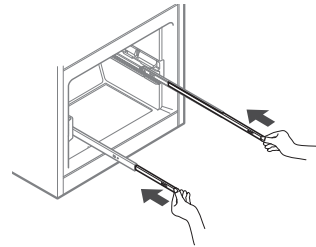
Remove the screws (2) of the rail on both sides.



Grasp the drawer on each side and pull it up to separate it from the rails.



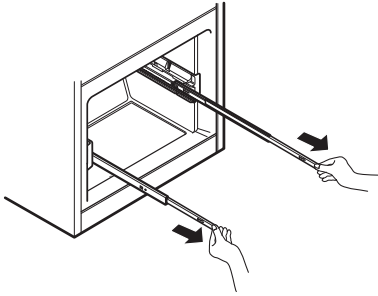
With both hands, hold the center bar and push it in to allow both rails to slide in simultaneously.



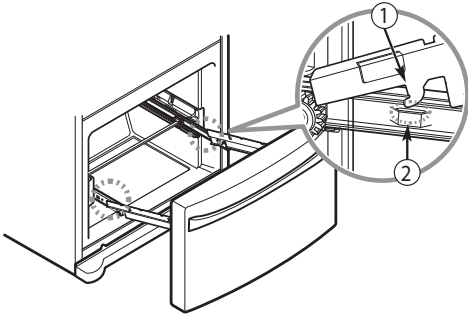
REFRIGERATOR INSTALLATION

HOW TO REPLACE THE FREEZER DRAWER

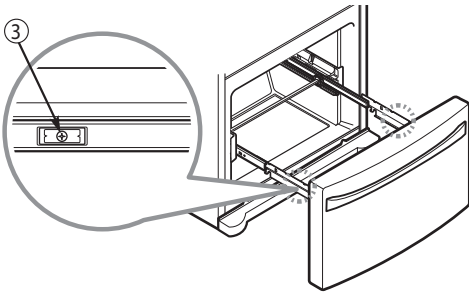
Pull out each rail to full extension.



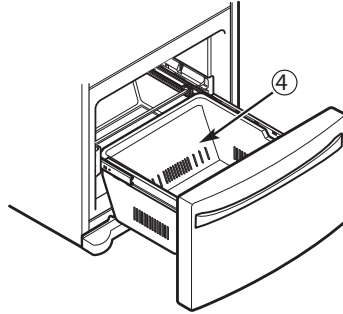
Grasp the drawer on each side and hook door supports ① into the rail tabs ② located on both sides.



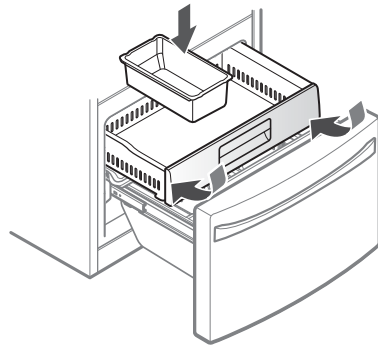
Lower the door into its final position and tighten the screws ③ located on both sides.



With the drawer pulled out to full extension, insert the lower basket ④ in the rail assembly.



To replace, with the drawer pulled out to full extension, insert the drawer in the rail assembly.



REFRIGERATOR INSTALLATION

LEVELING AND DOOR ALIGNMENT

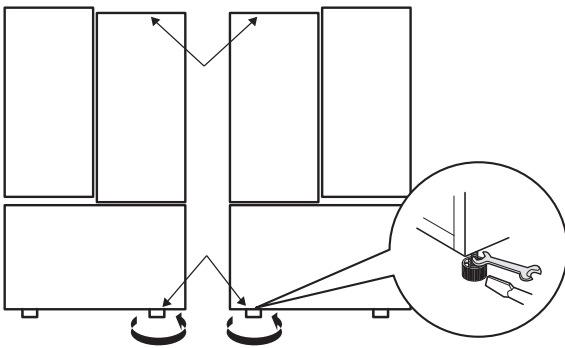
Leveling

After installing, plug the refrigerator's power cord into a 3-prong grounded outlet and push the refrigerator into the final position.

Your refrigerator has two front leveling legs—one on the right and one on the left. Adjust the legs to alter the tilt from front-to-back or side-to-side. If your refrigerator seems unsteady, or you want the doors to close more easily, adjust the refrigerator's tilt using the instructions below:

NOTE: Tools Required: 11/16 in (18 mm) wrench or flat blade screwdriver.

1. Turn the leveling leg to the left to raise that side of the refrigerator or to the right to lower it. It may take several turns of the leveling leg to adjust the tilt of the refrigerator.



NOTE: Having someone push backward against the top of the refrigerator takes some weight off of the leveling legs. This makes it easier to adjust the legs.

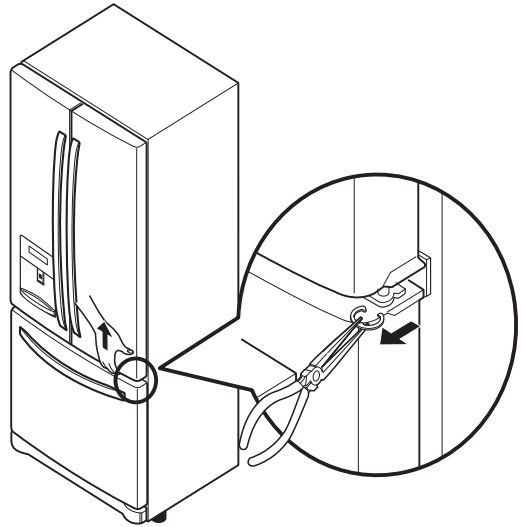
2. Open both doors again and check to make sure that they close easily. If the doors do not close easily, tilt the refrigerator slightly more to the rear by turning both leveling legs to the left. It may take several more turns, and you should turn both leveling legs the same amount.

NOTE: Your refrigerator is uniquely designed with two fresh food doors. Either door can be opened or closed independently of the other. You may have to exert slight pressure on the doors to get them to close completely.

Door Alignment

If the space between your doors is uneven, follow the instructions below to align the doors:

1. With one hand, lift up the door that you would like to raise at the middle hinge.
2. With your other hand, use pliers to insert snap ring as shown.
3. Insert additional snap rings until the doors are aligned. (Three snap rings are provided with the refrigerator in the Use & Care Guide packet.)



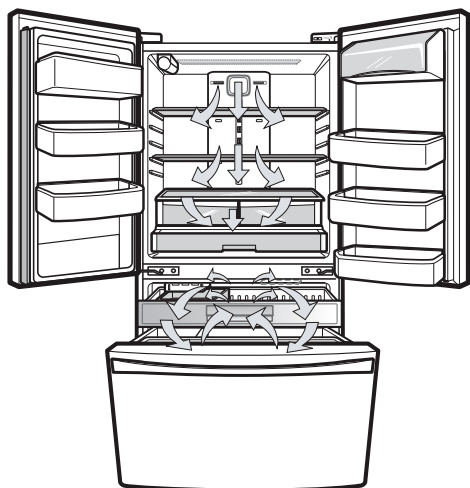
USING YOUR REFRIGERATOR

SETTING THE CONTROLS

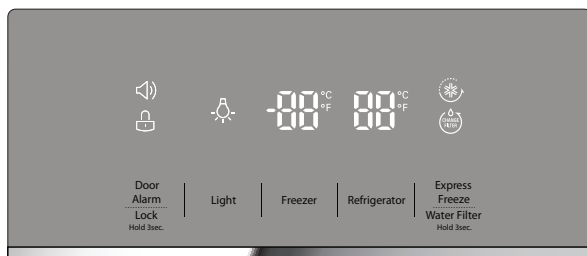
AIRFLOW

The refrigerator control functions as the thermostat for the entire appliance (refrigerator and freezer sections). The colder the setting, the longer the compressor will run to keep the temperature colder. The freezer control adjusts the cold air flow from the freezer to the refrigerator. Setting the freezer control to a lower temperature keeps more cold air in the freezer compartment to make it colder.

Cold air circulates from the freezer to the fresh food section and back again through air vents in the wall dividing the two sections. Be sure not to block vents while packing your refrigerator. Doing so will restrict airflow and may cause the refrigerator temperature to become too warm or cause interior moisture buildup. (See air flow diagram below.)



Temperature



•The Refrigerator Temp Control ranges from 33°F to 46°F (0°C to 8°C). Press the **Refrigerator** button to cycle through the available temperature settings one increment at a time.

•The Freezer Temp Control range is from -6°F to 8°F (-21°C to -13°C). Press the **Freezer** button to cycle through the available temperature settings one increment at a time.

NOTE: When changing control settings, wait 24 hours before making additional adjustments. The controls are set correctly when milk or juice is as cold as you would like and when ice cream is firm. If the temperature in either compartment is too cold or too warm, change the setting one increment at a time. Wait 24 hours for the change to stabilize before adjusting again.

Dispenser

Some dripping may occur after dispensing water. Hold your cup beneath the dispenser for a few seconds after dispensing to catch all of the drops.

NOTE: The dispenser will not work if any door is left open or if the control lock is engaged.

Express Freeze

•When you press the **Express Freeze** button, the Express Freeze graphic will illuminate in the display and will continue for 24 hours. The function will automatically shut off after 24 hours.

•You can stop this function manually by touching the button one more time.

•This function increases both ice making and freezing capabilities.

Water Filter

When the water filter indicator turns on, you have to change the water filter. After changing the water filter, press and hold the **Express Freeze / Water filter** button for three seconds to turn the indicator light off. You need to change the water filter approximately every six months.

Light

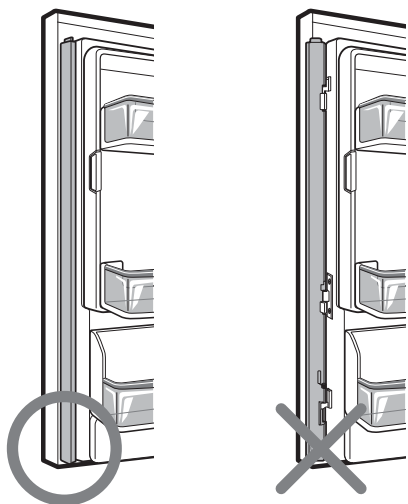
Press the **Light** button to turn the light on and off. When dispensing water, a light underneath the water switch will illuminate.

USING YOUR REFRIGERATOR

Articulating Mullion

This feature is a metal strip attached to the left door that articulates (rotates) 90 degrees as the door is closed, forming a mullion (base) for the left and right door gaskets to seal against.

Caution When Closing the Door



⚠ CAUTION

To reduce the risk of scratching the door or breaking the door mullion, please make sure that the refrigerator door mullion is always folded in.

Door Alarm

- When power is connected to the refrigerator, the door alarm is initially set to ON. When you press the **Door Alarm** button, the display will change to OFF and the Door Alarm function will deactivate.

- When either the refrigerator or the freezer door is left open for more than 60 seconds, the alarm tone will sound to let you know that the door is open.

- When you close the door, the door alarm will stop.

Lock

- When power is initially connected to the refrigerator, the Lock function is off.

- If you want to activate the Lock function to lock other buttons, press and hold the **Door Alarm** button for three seconds or more. The Lock icon will display and the Lock function is now enabled.

- When the Lock function is activated, no other buttons will work. The dispenser pad is also deactivated.

- To disable the Lock function, press and hold the **Door Alarm** button for approximately three seconds.

Display Mode (For Store Use Only)

The Display Mode disables all cooling in the refrigerator and freezer sections to conserve energy while on display in a retail store. When activated, OFF will display on the control panel.



To deactivate:

With either refrigerator door opened, press and hold the **Refrigerator** and **Express Freeze** buttons at the same time for five seconds. The control panel will beep and the temperature settings will display to confirm that Display Mode is deactivated. Use the same procedure to activate the Display Mode.

USING YOUR REFRIGERATOR

AUTOMATIC ICEMAKER

The icemaker will produce approximately 70-210 cubes in a 24-hour period, depending on freezer compartment temperature, room temperature, number of door openings and other operating conditions.

- It takes about 12 to 24 hours for a newly installed refrigerator to begin making ice. Wait 72 hours for full ice production to occur.
- Ice making stops when the in-door ice bin is full. When full, the in-door ice bin holds approximately 6-8 (12-16 oz) glasses of ice.
- To turn off the automatic icemaker, set the icemaker switch to **OFF (O)**. To turn on the automatic icemaker, set the switch to **ON (I)**.
- The water pressure must be between 20 and 120 psi (0,14 ~ 0,82 MPa) on models without a water filter and between 40 and 120 psi (0,28 ~ 0,82 MPa) on models with a water filter to produce the normal amount and size of ice cubes.
- Foreign substances or frost on the ice-detecting sensor can interrupt ice production. Make sure the sensor area is clean at all times for proper operation.

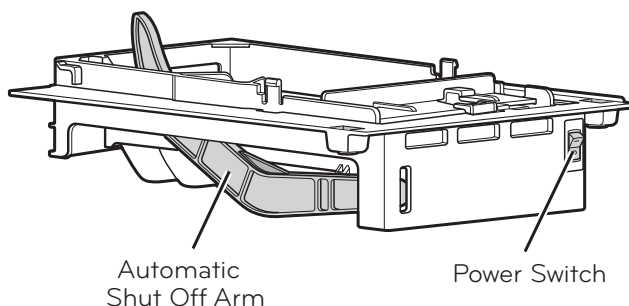
CAUTION

- **The first ice produced after installation may include particles or odor from the water supply line or the water tank.** Throw away the first few batches of ice (about 24 cubes). This is also necessary if the refrigerator has not been used for a long time.
- If discolored ice is produced, check the water supply. If the problem continues, contact a qualified service center. Do not use the ice or water until the problem is corrected.
- Be sure nothing interferes with the sweep of the Automatic Shut Off Arm.
- When the bin fills to the level of the Automatic Shut Off Arm, the icemaker will stop producing ice.
- It is normal for some cubes to be stuck together.
- If ice is not used frequently, old ice cubes will become cloudy, taste stale, and shrink.
- Never store beverage cans or other items in the ice bin for the purpose of rapid cooling. Doing so may damage the icemaker or the containers may burst.
- Never use thin crystal glass or crockery to collect ice. Such containers may chip or break resulting in glass fragments in the ice.

WARNING

Personal Injury Hazard

DO NOT place fingers or hands on the automatic ice making mechanism while the refrigerator is plugged in.



WHEN YOU SHOULD SET THE ICEMAKER POWER SWITCH TO OFF (O)

- When the water supply will be shut off for several hours.
- When the ice bin is removed for more than one or two minutes.
- When the refrigerator will not be used for several days.

NOTE: The ice bin should be emptied when the icemaker ON/OFF switch is turned to the **OFF (O)** position.

NORMAL SOUNDS YOU MAY HEAR

- The icemaker water valve will buzz as the icemaker fills with water. If the power switch is in the **ON (I)** position, it will buzz even if it has not yet been hooked up to water. To stop the buzzing, move the power switch to **OFF (O)**.
- **NOTE:** Keeping the power switch in the **ON (I)** position before the water line is connected can damage the icemaker.
- You will hear the sound of cubes dropping into the bin and water running in the pipes as the icemaker refills.

PREPARING FOR VACATION

Set the icemaker power switch to **OFF (O)** and shut off the water supply to the refrigerator.

NOTE: The ice bin should be emptied anytime the icemaker ON/OFF switch is turned to the **OFF (O)** position.

If the ambient temperature will drop below freezing, have a qualified technician drain the water supply system to prevent serious property damage due to flooding caused by ruptured water lines or connections.

USING YOUR REFRIGERATOR

FOOD STORAGE GUIDE

Wrap or store food in the refrigerator in airtight and moisture-proof material unless otherwise noted. This prevents food odor and taste transfer throughout the refrigerator. For dated products, check date code to ensure freshness.

Items	How to
Butter or margarine	▶ Keep opened butter in a covered dish or closed compartment. When storing an extra supply, wrap in freezer packaging and freeze.
Cheese	▶ Store in the original wrapping until you are ready to use it. Once opened, rewrap tightly in plastic wrap or aluminum foil.
Milk	▶ Wipe milk cartons. For best storage, place milk on interior shelf.
Eggs	▶ Store in original carton on interior shelf, not on door shelf.
Fruit	▶ Do not wash or hull the fruit until it is ready to be used. Sort and keep fruit in its original container, in a crisper, or store in a completely closed paper bag on a refrigerator shelf.
Leafy vegetables	▶ Remove store wrapping and trim or tear off bruised and discolored areas. Wash in cold water and drain. Place in plastic bag or plastic container and store in crisper.
Vegetables with skins (carrots, peppers)	▶ Place in plastic bags or plastic container and store in crisper.
Fish	▶ Store fresh fish and shellfish in the freezer section if they are not being consumed the same day of purchase. It is recommended to consume fresh fish and shellfish the same day purchased.

Leftovers

- ▶ Cover leftovers with plastic wrap, aluminum foil, or plastic containers with tight lids.

STORING FROZEN FOOD

NOTE: Check a freezer guide or a reliable cookbook for further information about preparing food for freezing or food storage times.

Freezing

Your freezer will not quick-freeze a large quantity of food. Do not put more unfrozen food into the freezer than will freeze within 24 hours, no more than 2 to 3 lbs. of food per cubic foot (1 to 1,5 kg of food per each 30 liters) of freezer space. Leave enough space in the freezer for air to circulate around packages. Be careful to leave enough room at the front so the door can close tightly.

Storage times will vary according to the quality and type of food, the type of packaging or wrap used (how airtight and moisture-proof) and the storage temperature. Ice crystals inside a sealed package are normal. This simply means that moisture in the food and air inside the package have condensed, creating ice crystals.

NOTE: Allow hot foods to cool at room temperature for 30 minutes, then package and freeze. Cooling hot foods before freezing saves energy.

Packaging

Successful freezing depends on correct packaging. When you close and seal the package, it must not allow air or moisture in or out. If it does, you could have food odor and taste transfer throughout the refrigerator and could also dry out frozen food.

Packaging recommendations:

- Rigid plastic containers with tight-fitting lids
 - Straight-sided canning/freezing jars
 - Heavy-duty aluminum foil
 - Plastic-coated paper
 - Non-permeable plastic wraps
 - Specified freezer-grade self-sealing plastic bags
- Follow package or container instructions for proper freezing methods.

Do not use

- Bread wrappers
- Non-polyethylene plastic containers
- Containers without tight lids
- Wax paper or wax-coated freezer wrap
- Thin, semi-permeable wrap

⚠ CAUTION: Do not keep beverage cans or plastic food containers in the freezer compartment. They may break or burst if they freeze.

USING YOUR REFRIGERATOR

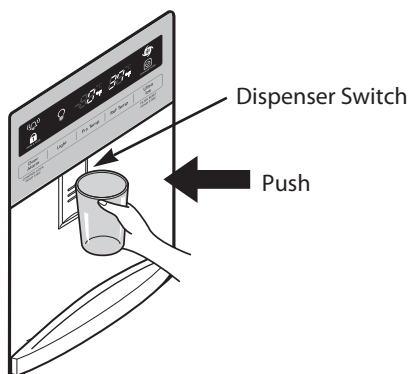
⚠ WARNING: DO NOT STORE ELECTRICAL APPLIANCES, do not use electrical appliances inside the food storage compartment, unless they are recommended by the manufacturer.

To replace the tray, slightly tilt up the front of the tray and snap the tabs into the holes.

REFRIGERATOR SECTION

WATER DISPENSER

To dispense cold water, push on the dispenser switch with a glass.

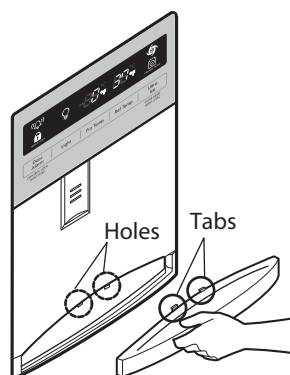
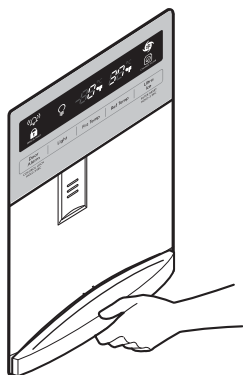


Some dripping may occur after dispensing. Hold your cup beneath the dispenser for a few seconds after dispensing to catch all of the drops.

WATER TRAY

To remove the tray, press down on either of the front corners and pull out.

NOTE: There is no drain beneath the tray. You may need to empty the tray of any liquid that collects in it.



USING YOUR REFRIGERATOR

REFRIGERATOR SHELVES

The shelves in your refrigerator are adjustable to meet your individual storage needs. Your model may have full or split shelves.

Adjusting the shelves to fit different heights of items will make finding the exact item you want easier. Doing so will also reduce the amount of time the refrigerator door is open which will save energy.

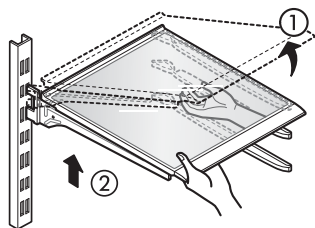
IMPORTANT: Do not clean glass shelves with warm water while they are cold. Shelves may break if exposed to sudden temperature changes or impact.

NOTE: Glass shelves are heavy. Use special care when removing them.

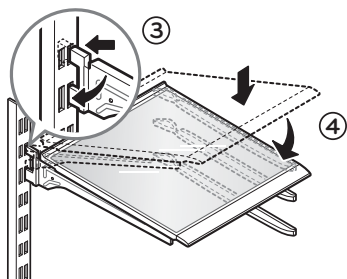
Adjusting Shelves (Split Shelf)

Remove shelves from the shipping position and replace shelves in the position you want.

To remove a shelf –Tilt up the front of the shelf ① and lift it ②. Pull the shelf out.



To reinstall a shelf –Tilt the front of the shelf up and guide the shelf hooks into the slots at a desired height ③. Then, lower the front of the shelf so that the hooks drop into the slots ④.



⚠ CAUTION:

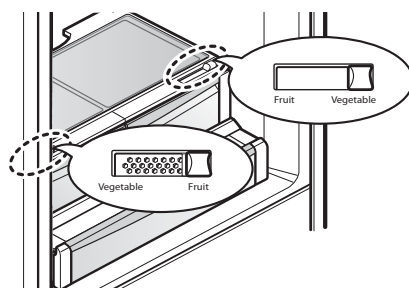
The shelves in your refrigerator are adjustable to meet your individual storage needs. Your model may have full or split shelves.

Adjusting the shelves to fit different heights of items will make finding the exact item you want easier. Doing so will also reduce the amount of time the refrigerator door is open which will save energy.

HUMIDITY CONTROLLED CRISPER

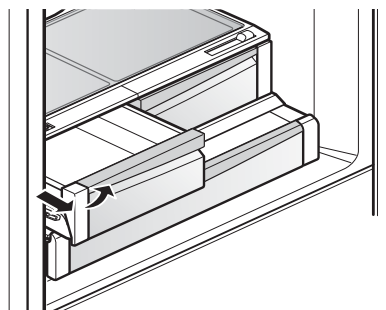
The crispers provide fresher tasting fruit and vegetables by letting you easily control humidity inside the drawer. You can control the amount of humidity in the moisture sealed crispers by adjusting the control to any setting between VEGETABLE and FRUIT.

- VEGETABLE keeps moist air in the crisper for best storage of fresh, leafy vegetables.
- FRUIT lets moist air out of the crisper for best storage of fruit.



REMOVING THE HUMIDITY CONTROLLED CRISPER

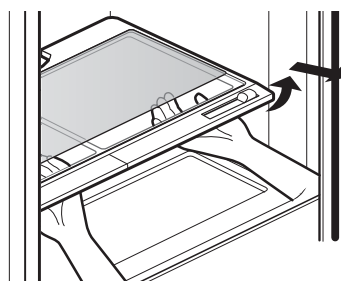
1. To remove, pull the drawer out to full extension.
2. Lift the front of the crisper up, then pull it straight out.
3. To install, slightly tilt up the front, insert the drawer into the frame and push it back into place.



To remove the glass

1. Lift up the glass under the crisper cover.
2. Pull the glass up and out.

NOTE: Pantry drawer not shown for clarity.

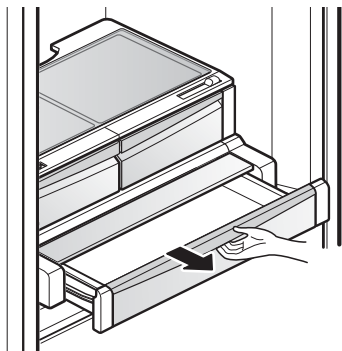


USING YOUR REFRIGERATOR

PANTRY DRAWER

This drawer can be used for large party trays, deli items and beverages. (Do not use this drawer for vegetables or items that require high humidity.)

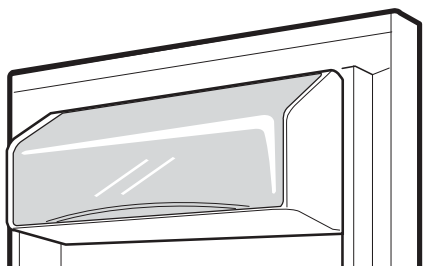
Pull forward to open. Lift slightly and pull out to remove.



DAIRY BIN

1. To remove the dairy bin, simply lift it and pull straight out.

2. To replace the dairy bin, slide it above the desired location and push down until it stops.



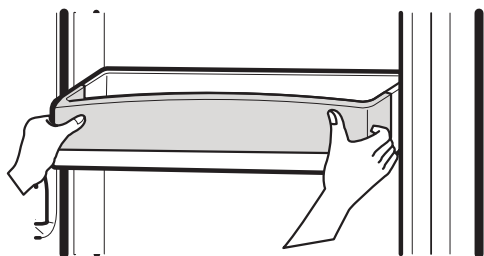
DOOR BINS

The door bins are removable for easy cleaning and adjustment.

1. To remove the bin, simply lift the bin up and pull straight out.

2. To replace the bin, slide it in above the desired support and push down until it snaps into place.

NOTE: Some bins may vary in appearance and will only fit in one location.



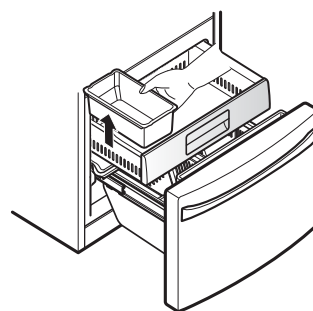
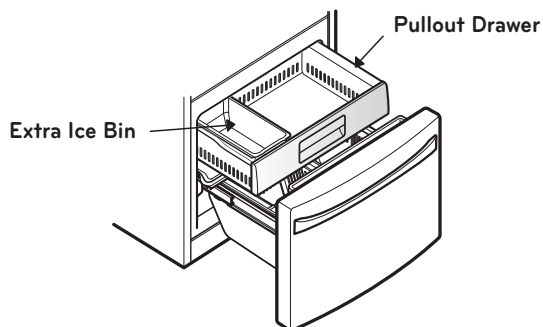
FREEZER SECTION

ICE BIN

1. Pull the Freezer Drawer and the Pullout Drawer out as far as possible to remove the Extra Ice Bin.

2. Gently lift and pull out the ice bin.

3. To replace, pull both drawers out as far as possible, and set the bin in its correct position in the Pullout Drawer. Close the Pullout Drawer and then the Freezer Drawer.



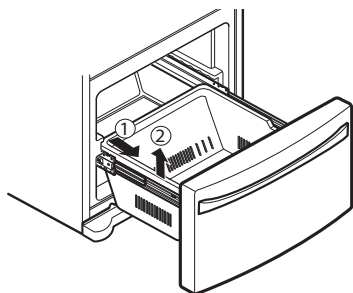
⚠ CAUTION: Pinch hazard! Keep hands and feet clear of the bottom of the freezer drawer when opening and closing.

USING YOUR REFRIGERATOR

DURABASE REMOVAL AND REPLACEMENT

1. To remove the Durabase, open the drawer to full extension①. Push the Durabase to the back as much as possible, tilt the front of the Durabase up, and then lift it up and out②.

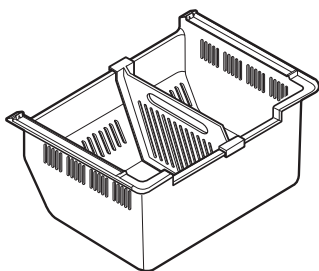
2. To replace, tilt the back of the Durabase into the drawer, then lower it down and into the rail assembly.



NOTE: Assemble the Durabase before assembling the pullout drawer. The pullout drawer needs clearance in order to properly seat its rollers. If the items are assembled improperly, the freezer door may not close.

DURABASE DIVIDER

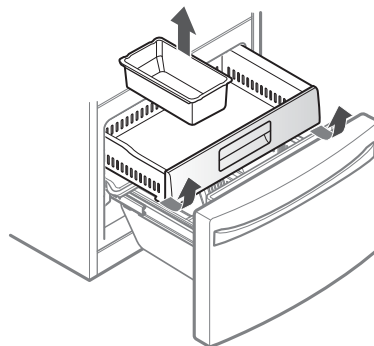
The Durabase divider allows you to organize the Durabase area into sections. It can be adjusted from side to side to accommodate items of different sizes.



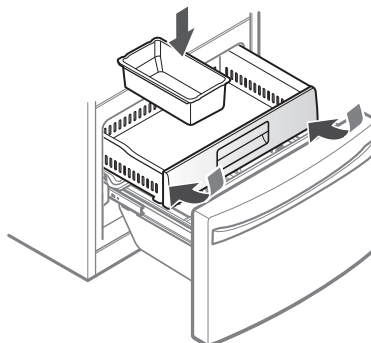
⚠ WARNING: If the Durabase divider is removed, there is enough open space for children or pets to crawl inside. To prevent accidental child and pet entrapment or suffocation risk, DO NOT allow children or pets to touch or go near the drawer.

PULLOUT DRAWER

1. To remove, pull the drawer out to full extension. Lift the drawer up and out, making sure to clear the rail system.



2. To replace, with the drawer pulled out to full extension, insert the drawer in the rail assembly.



WATER FILTER

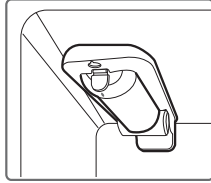
WATER FILTER

REPLACING THE WATER FILTER (ADQ3600610)

*NOTE: The number of the cartridge depends on the model.

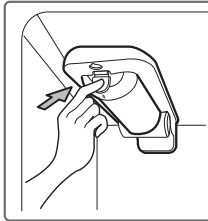
It is recommended that you replace the water filter:

- Approximately every 6 months.
- When the water filter indicator turns on.
- When the water dispenser output decreases.
- When the ice cubes are smaller than normal.

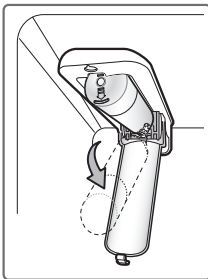


1. Remove the old water filter.

- Lower or remove the top left shelf to allow the water filter to rotate all the way down.
- Press the push button to open the water filter cover.



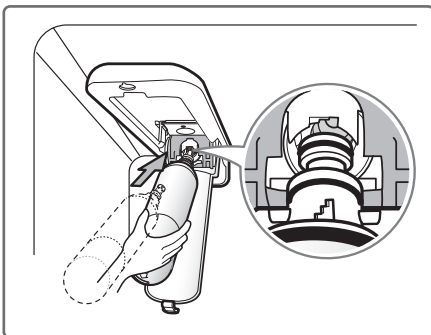
NOTE: Replacing the water filter causes a small amount of water (around 1 oz. or 25 cc) to drain. Before pushing the button to open the water filter cover, place a cup under the front end of the cover to collect any leaking water. Hold the water filter upright, once its removed, to prevent any remaining water from spilling out of the water filter.



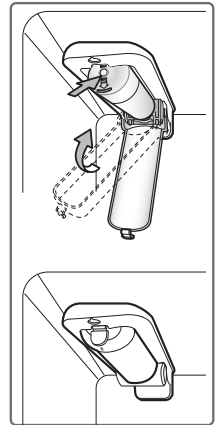
- Pull the water filter downward and pull out. Make sure to rotate the filter down completely before pulling it out of the manifold hole.

2. Replace with a new water filter.

- Take the new water filter out of its packaging and remove the protective cover from the o-rings. With water filter tabs in the horizontal position, push the new water filter into the manifold hole until it stops.



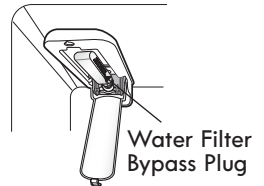
- Rotate the water filter up into position and close the cover. The cover will click when closed correctly.



3. After the water filter is replaced, dispense 2.5 gallons (9 liters) of water (flush for approximately 5 minutes) to remove trapped air and contaminants from the system. Do not dispense the entire 2.5 gallon (9 liters) amount continuously. Depress and release the dispenser pad for cycles of 30 seconds ON and 60 seconds OFF.

4. Water Filter Bypass Plug

Keep the water filter bypass plug. You MUST use the water filter bypass plug when a replacement water filter cartridge is not available.



CAUTION: DO NOT operate refrigerator without water filter or water filter plug installed.

NOTE: To purchase replacement water filter cartridges, visit your local appliance dealer or parts distributor. You can also call **USA 1-800-243-0000** **CANADA 1-888-542-2623** (24 hours per day/ 7 days per week). The replacement water filter cartridge's part number is **ADQ36006101**.

REFRIGERATOR CARE AND CLEANING

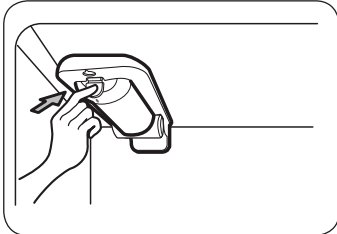
Type 2

REPLACING THE WATER FILTER (ADQ74793501)

***NOTE: The number of the cartridge depends on the model.**

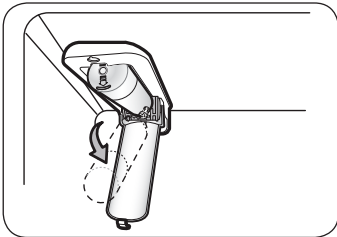
It is recommended that you replace the filter approximately every 6 months, when the water filter indicator reaches 0 months, or when the ice and water dispenser noticeably decreases out-put and when the ice cubes are smaller than normal.

Remove the old cartridge.

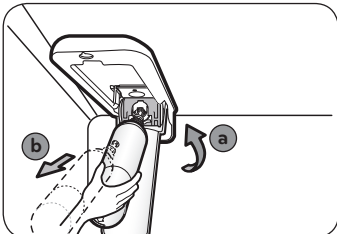


1. Press the push button to open the filter cover.

NOTE: Replacing the filter causes a small amount of water (around 1 oz. or 25 cc) to drain. Place a cup under the filter hole to catch any waste.

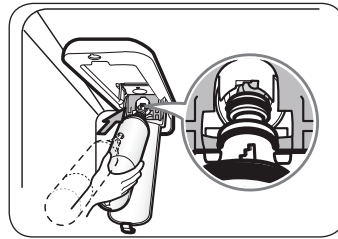


2. Pull the cartridge downward.

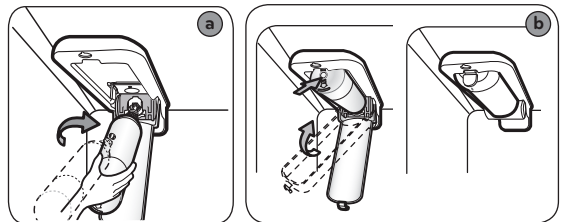


3. Turn it counterclockwise (a) then pull it out (b). Make sure to rotate the filter down completely before pulling it out of the manifold hole.

Replace with a new cartridge.



1. Take the new cartridge out of its packing and remove the protective cover from the o-rings. With cartridge ears in the horizontal position, push the new filter cartridge into the manifold-hole until it stops.



2. Rotate the water filter clockwise into position (a) and close the cover (b). The cover will click back into place.

NOTE: After replacing the filter, flush 2.5 gallons through filter before use (flush for approximately 5 minutes). Depress and release the dispenser pad for cycles of 30 seconds ON and 60 seconds OFF

To purchase replacement water filter cartridges, visit your local appliance dealer or parts distributor, or refer to the warranty card to obtain the telephone number of the service center near to you.

You can also call: USA **1-800-243-0000**
CANADA **1-888-542-2623** (24 hours per day/7 days per week).

The replacement water filter cartridge's part number is **ADQ74793501**

REFRIGERATOR CARE AND CLEANING

Performance Data Sheet

Replacement Cartridge TYPE 1: ADQ36006101

The concentration of the indicated substances in water entering the system was reduced to a concentration less than or equal to the permissible limit for water leaving the system as specified in NSF/ANSI Standard 42 and Standard 53.



System tested and certified by NSF International against NSF/ANSI Standard 42 and Standard 53 for the reduction of substances listed below.

Contaminant Reduction	Average Influent	NSF specified Challenge Concentration	Avg % Reduction	Average Product Water Concentration	Max Permissible Product Water Concentration	NSF Reduction Requirements	NSF Test Report
Chlorine Taste and Odor	2.1 mg/L	2.0 mg/L ± 10%	97.2%	0.06 mg/L	N/A	≥ 50%	J-00049247
Nominal Particulate Class I, ≥0.5 to < 1.0 µm	5,600,000 pts/mL	At least 10,000 particles/mL	98.7%	73,000 pts/ml	N/A	≥85%	J-00049282
Asbestos	190 MFL	107 to 108 MFL; fibers greater than 10 µm in length	>99%	< 1MLF	N/A	≥99%	J-0004928
Atrazine	0.0094 mg/L	0.009 mg/L ± 10%	94.7%	0.00005 mg/L	0.003 mg/L	N/A	J-00049293
Benzene	0.016 mg/L	0.015 mg/L ± 10%	96.7%	0.005 mg/L	0.005 mg/L	N/A	J-00049300
Carbofuran	0.08 mg/L	0.08 mg/L ± 10%	98.1%	0.002 mg/L	0.04 mg/L	N/A	J-00049294
Lindane	0.002 mg/L	0.002 mg/L ± 10%	98.2%	0.00004 mg/L	0.0002 mg/L	N/A	J-00051975
P-Dichlorobenzene	0.22 mg/L	0.225 mg/L ± 10%	99.8%	0.0005 mg/L	0.075 mg/L	N/A	J-00049298
Toxaphene	0.014 mg/L	0.015 mg/L ± 10%	93%	0.001 mg/L	0.003 mg/L	N/A	J-00049302
2,4-D	0.213 mg/L	0.210 mg/L ± 10%	95.2%	0.009 mg/L	0.07 mg/L	N/A	J-00049284
Lead pH @6.5	0.150 mg/L	0.15 mg/L ± 10%	>99.3%	0.001 mg/L	0.010 mg/L	N/A	J-00051974
Lead pH @8.5	0.150 mg/L	0.15 mg/L ± 10%	>99.3%	0.001 mg/L	0.010 mg/L	N/A	J-00049277
Mercury @ pH 6.5	0.0059 mg/L	0.006 mg/L ± 10%	96.1	0.0002 mg/L	0.002 mg/L	N/A	J-00053886
Mercury @ pH 8.5	0.0058 mg/L	0.006 mg/L ± 10%	90.1	0.0006 mg/L	0.002 mg/L	N/A	J-00051972
Cyst*	120,000 cysts/L	Minimum 50,000 cysts/L	99.99%	<1 cyst/L	N/A	≥99.95%	J-00049281

* Based on the use of Cryptosporidium parvum oocysts.

Replacement Cartridge TYPE 2: ADQ74793501 (MDJ64844601)

Capacity 200 Gallons (757 Liters) Substance Reduction Determined by NSF testing.



System tested and certified by NSF International against NSF/ANSI Standard 42 and Standard 53 for the reduction of substances listed below.

Contaminant Reduction	Average Influent	NSF specified Challenge Concentration	Avg % Reduction	Average Product Water Concentration	Max Permissible Product Water Concentration	NSF Reduction Requirements
Chlorine Taste and Odor	2.0 µg/L	2.0 µg/L ± 10%	>97.5%	0.050 µg/L	N/A	≥ 50.00%
Nominal Particulate Class I, ≥0.5 to < 1.0 µm	12,000,000 pts/mL	At least 10,000 particles/mL	98.8%	24,000 pts/ml	N/A	≥85%
Asbestos	180 MFL	10 ⁷ to 10 ⁸ MFL; fibers greater than 10 µm in length	>99%	< 1MLF	N/A	≥99%
Atrazine	8.5 µg/L	9.0 µg/L ± 10%	>94.10%	0.500 µg/L	3.0 µg/L	N/A
Benzene	15.0 µg/L	15.0 µg/L ± 10%	>96.60%	0.510 µg/L	5.0 µg/L	N/A
Carbofuran	74.0 µg/L	80.0 µg/L ± 10%	98.30%	1.258 µg/L	40 µg/L	N/A
Lindane	1.9 µg/L	2.0 µg/L ± 10%	>99.00%	0.019 µg/L	0.2 µg/L	N/A
P-Dichlorobenzene	230.0 µg/L	225.0 µg/L ± 10%	>99.80%	0.460 µg/L	75.0 µg/L	N/A
2,4-D	210.0 µg/L	210.0 µg/L ± 10%	>99.90%	0.210 µg/L	70.0 µg/L	N/A
Lead pH @6.5	140.0 µg/L	150.0 µg/L ± 10%	99.60%	0.560 µg/L	10.0 µg/L	N/A
Lead pH @8.5	150.0 µg/L	150.0 µg/L ± 10%	>99.7%	< 0.500 µg/L	10.0 µg/L	N/A
Mercury @ pH 6.5	5.9 µg/L	6.0 µg/L ± 10%	91.00%	0.531 µg/L	2.0 µg/L	N/A
Mercury @ pH 8.5	5.6 µg/L	6.0 µg/L ± 10%	92.50%	0.420 µg/L	2.0 µg/L	N/A
Cyst*	100,000 cysts/L	Minimum 50,000 cysts/L	>99.99%	10 cysts/L	N/A	≥ 99.95%
Atenolol	240 ng/L	200 ± 40% ng/L	> 95.50%	10.80 ng/L	30 ng/L	N/A
Carbamazepine	1600 ng/L	1400 ± 40% ng/L	98.40%	25.60 ng/L	200 ng/L	N/A
DEET	1600 ng/L	1400 ± 40% ng/L	97.10%	46.40 ng/L	200 ng/L	N/A
Trimethoprim	170 ng/L	140 ± 40% ng/L	>96.80%	5.44 ng/L	20 ng/L	N/A
Linuron	160 ng/L	140 ± 40% ng/L	>96.60%	5.44 ng/L	20 ng/L	N/A
Phenytoin	200 ng/L	200 ± 40% ng/L	>94.80%	10.40 ng/L	30 ng/L	N/A
Ibuprofene	400 ng/L	400 ± 40% ng/L	>94.50%	22.00 ng/L	60 ng/L	N/A
Naproxen	140 ng/L	140 ± 40% ng/L	>96.10%	5.46 ng/L	20 ng/L	N/A
Estrone	120 ng/L	140 ± 40% ng/L	>96.10%	4.68 ng/L	20 ng/L	N/A
Bisphenol A	2000 ng/L	2000 ± 40% ng/L	>98.90%	22.00 ng/L	300 ng/L	N/A
Nonyl Phenol	1600 ng/L	1400 ± 40% ng/L	>97.10%	46.40 ng/L	200 ng/L	N/A

* Based on the use of Cryptosporidium parvum oocysts

REFRIGERATOR CARE AND CLEANING

Application Guidelines/Water Supply Parameters	
Service Flow	0.5 gpm (1.9 lpm)
Water Supply	Potable Water
Water Pressure	No Filter: 20-120PSI (138-827kPa) Filter: 40-120PSI (276-827kPa)
Water Temperature	33°F ~ 100°F (0.6°C ~38°C)

It is essential that the manufacturer's recommended installation, maintenance and filter replacement requirements be carried out for the product to perform as advertised.

Note: While the testing was performed under standard laboratory conditions, actual performance may vary.

Confirm Filter Replacement Cartridge type with the number marked on the current filter installed.

For estimated costs of replacement elements please call:

USA **1-800-243-0000**

CANADA **1-888-542-2623**

(24 hours per day/7 days per week or visit our website at www.lg.com).

WARNING

To reduce the risk associated with ingestion of contaminants: Do not use with water that is microbiologically unsafe or of unknown quality without adequate disinfection before and after the system. Systems certified for cyst reduction may be used on disinfected water that may contain filterable cysts. EPA Establishment Number 10350-MN-005

CAUTION

To reduce the risk associated with property damage due to water leakage:

- **Read and follow.** Use Instructions before installation and use of this system.
- Installation and use **MUST** comply with all state and local plumbing codes.
- **Do not install** if water pressure exceeds 120 psi (827 kPa). If your water pressure exceeds 80 psi, you **must** install a pressure limiting valve. Contact a plumbing professional if you are uncertain how to check your water pressure.
- **Do not** install where water hammer conditions may occur. If water hammer conditions exist you must install a water hammer arrester. Contact a plumbing professional if you are uncertain how to check for this condition.
- **Do not** install on hot water supply lines. The maximum operating water temperature of this filter system is 100°F (38°C).
- **Protect filter from freezing.** Drain filter when temperatures drop below 40°F (4.4°C).
- The disposable filter cartridge must be replaced every 6 months, at the rated capacity or if a noticeable reduction in flow rate occurs.

WATER FILTER

State of California
Department of Public Health
Water Treatment Device
Certificate Number
09-2018

Date Issued: December 15, 2009

Trademark/Model Designation

ADQ36006101-S

Replacement Elements

ADQ36006101

Manufacturer: Cuno Inc.

The water treatment device(s) listed on this certificate have met the testing requirements pursuant to Section 116830 of the Health and Safety Code for the following health related contaminants:

Microbiological Contaminants and Turbidity

Cysts

Inorganic/Radiological Contaminants

Asbestos

Lead

Mercury

Organic Contaminants

2,4-D Reduction

Atrazine

Benzene

Carbofuran

Lindane

p-Dichlorobenzene

Toxaphene

Rated Service Capacity: 200 gal

Rated Service Flow: 0.5 gpm

Conditions of Certification:

⚠ WARNING



Explosion Hazard

Use non-flammable cleaner. Failure to do so can result in fire, explosion, or death.

Both the refrigerator and freezer sections defrost automatically; however, clean both sections about once a month to prevent odors. Wipe up spills immediately.

GENERAL CLEANING TIPS

- Unplug refrigerator or disconnect power.
- Remove all removable parts, such as shelves, crispers, etc. Refer to sections in Using Your Refrigerator for removal instructions.
- Use a clean sponge or soft cloth and a mild detergent in warm water. Do not use abrasive or harsh cleaners.
- Hand wash, rinse and dry all surfaces thoroughly.
- Plug in refrigerator or reconnect power.

EXTERIOR

Waxing external painted metal surfaces helps provide rust protection. Do not wax plastic parts. Wax painted metal surfaces at least twice a year using appliance wax (or auto paste wax). Apply wax with a clean, soft cloth.

For products with a stainless steel exterior, use a clean sponge or soft cloth and a mild detergent in warm water. Do not use abrasive or harsh cleaners. Dry thoroughly with a soft cloth.

INSIDE WALLS (allow freezer to warm up so the cloth will not stick)

To help remove odors, you can wash the inside of the refrigerator with a mixture of baking soda and warm water. Mix 2 tablespoons of baking soda to 1 quart of water (26 g soda to 1 liter water.) Be sure the baking soda is completely dissolved so it does not scratch the surfaces of the refrigerator.

⚠ CAUTION: While cleaning the inside, do not spray water.

DOOR LINERS AND GASKETS

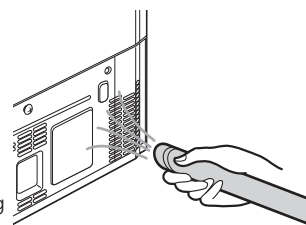
Use a clean sponge or soft cloth and a mild detergent in warm water. Do not use cleaning waxes, concentrated detergents, bleaches, or cleaners containing petroleum on plastic refrigerator parts.

PLASTIC PARTS (Covers and Panels)

Use a clean sponge or soft cloth and a mild detergent in warm water. Do not use window sprays, abrasive cleansers, or flammable fluids. These can scratch or damage the material.

CONDENSER COILS

Use a vacuum cleaner with an attachment to clean the condenser cover and vents. Do not remove the panel covering the condenser coil area.



CARE AND CLEANING

LIGHT (LED) REPLACEMENT

NOTE: Do not remove the LED, it is only to be removed by a qualified technician.

WARNING

In case of replacement, the new LED must have the same specification of the original.

POWER INTERRUPTIONS

1. If the power will be out for 24 hours or less, keep all refrigerator doors closed to help foods stay cold and frozen.

2. If the power will be out for more than 24 hours, remove all frozen food and store it in a frozen food locker.

WHEN YOU GO ON VACATION

If you choose to leave the refrigerator on while you are away, follow these steps to prepare your refrigerator before you leave.

1. Use up any perishables and freeze other items.
2. Turn off the icemaker and empty the ice bin.

If you choose to turn the refrigerator off before you leave, follow these steps.

1. Remove all food from the refrigerator.
2. Depending on your model, set the thermostat control (refrigerator control) to OFF. See the Setting the Controls section.
3. Clean the refrigerator, wipe it and dry well.
4. Tape rubber or wood blocks to the tops of both doors to prop them open far enough for air to get in. This stops odor and mold from building up.

WHEN YOU MOVE

When you are moving your refrigerator to a new home, follow these steps to prepare it for the move.

1. Remove all food from the refrigerator and pack all frozen food in dry ice.
2. Unplug the refrigerator.
3. Clean, wipe and dry thoroughly.
4. Take out all removable parts, wrap them well and tape them together so they do not shift and rattle during the move. Refer to the Using your Refrigerator section for removable instructions.
5. Depending on the model, raise the front of the refrigerator so it rolls easier OR screw in the leveling legs all the way so they do not scrape the floor. See the Door Closing section.
6. Tape the doors shut and tape the power cord to the refrigerator cabinet.

When you get to your new home, put everything back and refer to the Refrigerator Installation section for preparation instructions.

CONNECTING THE WATER LINE

BEFORE YOU BEGIN

This water line installation is not covered by the refrigerator warranty. Follow these instructions carefully to minimize the risk of expensive water damage.

Water hammer (water banging in the pipes) in house plumbing can cause damage to refrigerator parts and can lead to water leakage or flooding. Call a qualified plumber to correct water hammer before installing the water supply line to the refrigerator.

To prevent burns and product damage, only connect the refrigerator water line to a cold water supply.

If you use your refrigerator before connecting the water line, make sure the icemaker power switch is in the OFF (O) position.

Do not install the icemaker tubing in areas where temperatures fall below freezing.

WATER PRESSURE

A cold water supply. The water pressure must be between 20 and 120 psi on models without a water filter and between 40 and 120 psi on models with a water filter.

If a reverse osmosis water filtration system is connected to your cold water supply, this water line installation is not covered by the refrigerator warranty. Follow the following instructions carefully to minimize the risk of expensive water damage.

If a reverse osmosis water filtration system is connected to your cold water supply, the water pressure to the reverse osmosis system needs to be a minimum of 40 to 60 psi (2.8 kgf/cm² ~ 4.2 kgf/cm², less than 2.0~3.0 sec. to fill a cup of 7 oz capacity).

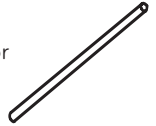
If the water pressure from the reverse osmosis system is less than 21 psi or 1.5 kgf/cm² (takes more than 4.0 sec to fill a cup of 7 oz capacity):

- Check to see if the sediment filter in the reverse osmosis system is blocked. Replace the filter if necessary.
- Allow the storage tank on the reverse osmosis system to refill after heavy usage.
- If the issue concerning water pressure from reverse osmosis remains, call a licensed, qualified plumber.
- All installations must be in accordance with local plumbing code requirements.

CAUTION: Wear eye protection during installation to prevent injury.

WHAT YOU WILL NEED

• **Copper Tubing**, ¼ in. outer diameter, to connect the refrigerator to the water supply. Be sure both ends of the tubing are cut square.



• To determine how much tubing you need: measure the distance from the water valve on the back of the refrigerator to the water supply pipe. Then, add 8 feet (2.4 m). Be sure there is sufficient extra tubing (about 8 feet [2.4 m] coiled into 3 turns of about 10 in. [25 cm] diameter) to allow the refrigerator to move out from the wall after installation.

• **Power drill.**

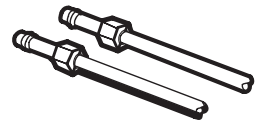
• **½ in. or adjustable wrench.**

• **Flat blade and Phillips head screwdrivers.**

• **Two ¼ in. outer diameter compression nuts and 2 ferrules (sleeves)** to connect the copper tubing to the shutoff valve and the refrigerator water valve.



• If your existing copper water line has a flared fitting at the end, you will need an adapter (available at plumbing supply stores) to connect the water line to the refrigerator OR you can cut off the flared fitting with a tube cutter and then use a compression fitting.

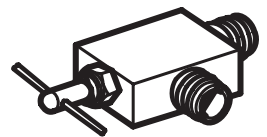
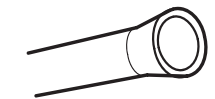


• **Shutoff valve to connect to the cold water line.** The

shutoff valve should have a water inlet with a minimum inside diameter of 5/32 in. at the point of connection to the COLD WATER LINE.

Saddle-type shutoff valves are included in many water supply kits. Before purchasing, make sure a saddle-type valve complies with your local plumbing codes.

NOTE: A Self Piercing Saddle Type Water Valve should not be used



⚠ WARNING

Electrical Shock Hazard

When using any electrical device (such as a power drill) during installation, be sure the device is battery powered, double insulated or grounded in a manner that will prevent the hazard of electric shock.

CONNECTING THE WATER LINE

INSTALLATION INSTRUCTIONS

Install the shutoff valve on the nearest frequently used drinking water line.

1. SHUT OFF THE MAIN WATER SUPPLY

Turn on the nearest faucet to relieve the pressure on the line.

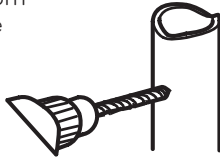
2. CHOOSE THE VALVE LOCATION

Choose a location for the valve that is easily accessible. It is best to connect into the side of a vertical water pipe. When it is necessary to connect into a horizontal water pipe, make the connection to the top or side, rather than at the bottom, to avoid drawing off any sediment from the water pipe.



3. DRILL THE HOLE FOR THE VALVE

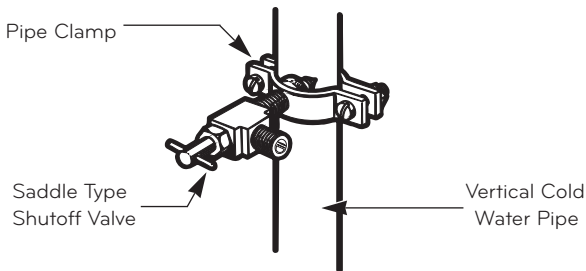
Drill a 1/4 in. hole in the water pipe using a sharp bit. Remove any burrs resulting from drilling the hole in the pipe. Be careful not to allow water to drain into the drill. Failure to drill a 1/4 in. hole may result in reduced ice production or smaller cubes.



NOTE: The hookup line cannot be white, plastic tubing. Licensed plumbers must use only copper tubing (NDA tubing #49595 or #49599) or Cross Link Polyethylene (PEX) tubing.

4. FASTEN THE SHUTOFF VALVE

Fasten the shutoff valve to the cold water pipe with the pipe clamp.

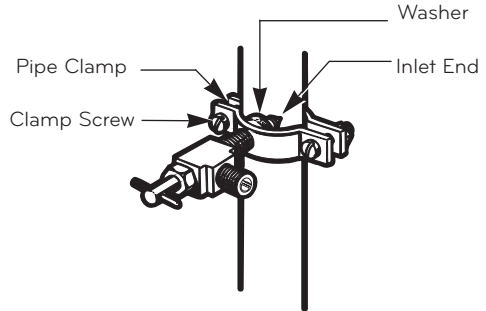


NOTE: Commonwealth of Massachusetts Plumbing Codes 248CMR shall be adhered to. Saddle valves are illegal and their use is not permitted in Massachusetts. Consult with your licensed plumber.

5. TIGHTEN THE PIPE CLAMP

Tighten the clamp screws until the sealing washer begins to swell.

NOTE: Do not overtighten the clamp or you may crush the tubing.



6. ROUTE THE TUBING

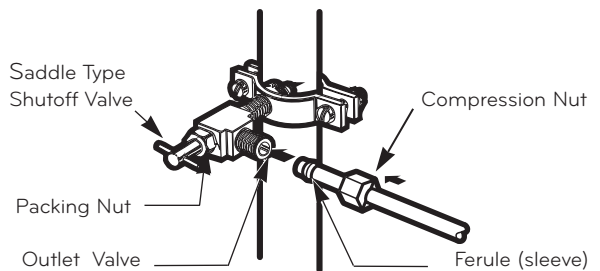
Route the tubing between the cold water line and the refrigerator.

Route the tubing through a hole drilled in the wall or floor (behind the refrigerator or adjacent base cabinet) as close to the wall as possible.

NOTE: Be sure there is sufficient extra tubing (about 8 feet coiled into 3 turns of about 10 in. diameter) to allow the refrigerator to move out from the wall after installation.

7. CONNECT THE TUBING TO THE VALVE

Place the compression nut and ferrule (sleeve) for the copper tubing onto the end of the tubing and connect it to the shutoff valve. Make sure the tubing is fully inserted into the valve. Tighten the compression nut securely.



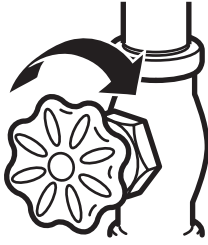
NOTE: Commonwealth of Massachusetts Plumbing Codes 248CMR shall be adhered to. Saddle valves are illegal and their use is not permitted in Massachusetts. Consult with your licensed plumber.

TROUBLESHOOTING GUIDE

8. FLUSH OUT THE TUBING

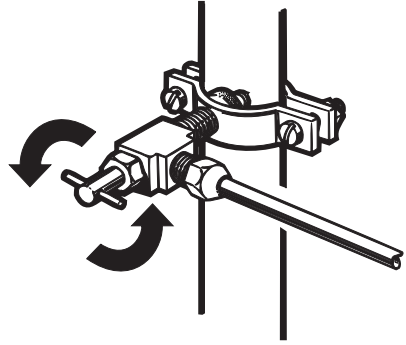
Turn the main water supply on and flush out the tubing until the water is clear.

Shut the water off at the water valve after about one quart of water has been flushed through the tubing.



10. TURN THE WATER ON AT THE SHUTOFF VALVE

Tighten any connections that leak.



9. CONNECT THE TUBING TO THE REFRIGERATOR

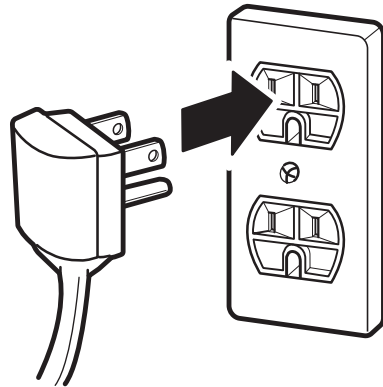
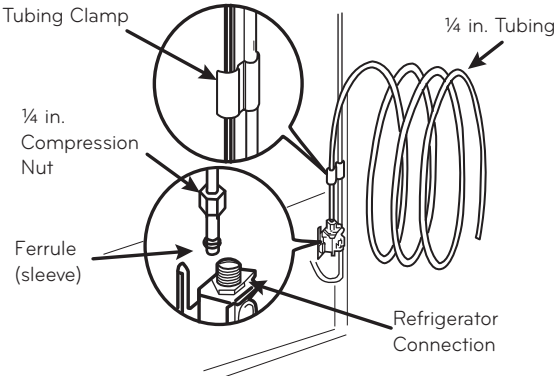
NOTE: Before making the connection to the refrigerator, be sure that the refrigerator power cord is not plugged into the wall outlet.

- Remove the plastic flexible cap from the water valve.
- Place the compression nut and ferrule (sleeve) onto the end of the tubing as shown.
- Insert the end of the copper tubing into the connection as far as possible. While holding the tubing, tighten the fitting.

⚠ CAUTION: Check to see if leaks occur at the water line connections.

11. PLUG IN THE REFRIGERATOR

Arrange the coil of tubing so that it does not vibrate against the back of the refrigerator or against the wall. Push the refrigerator back to the wall.



12. START THE ICEMAKER

Set the icemaker power switch to the **ON** position. The icemaker will not begin to operate until it reaches its operating temperature of 15°F (-9°C) or below. It will then begin operation automatically if the icemaker power switch is in the **ON (I)** position.

⚠ WARNING: Never use old or used hoses. Always use new ones to have a better use and experience. Connect always to a potable water source to avoid security and health issues.

TROUBLESHOOTING GUIDE

Before conducting troubleshooting, make sure that the following basic requirements are met:

Service Flow	0.5 gpm (1.9 lpm)
Water Supply	Potable Water
Water Pressure	40-120 psi (0,28 - 0,83 MPa)
Operating Ambient Temperature Limits	55°F - 110°F (13°C - 43°C)
Electrical Ratings	115 or 127 Volts, AC and fused at 15 A or 10 A to 220 Volts.

COOLING

Problem	Possible Causes	Solutions
Refrigerator and Freezer section are not cooling.	The refrigerator control is set to OFF (some models).	Turn the control ON. Refer to the Setting the Controls section for proper temperature settings.
	Refrigerator is set to Display Mode.	Display Mode allows the lights and control display to work normally while disabling cooling to save energy while on the showroom floor. Refer to the Setting the Controls section for instructions on how to disable Display Mode.
	Refrigerator is in the defrost cycle.	During the defrost cycle, the temperature of each compartment may raise slightly. Wait 30 minutes and confirm the proper temperature has been restored once the defrost cycle has completed.
	Refrigerator was recently installed.	It may take up to 24 hours for each compartment to reach the desired temperature.
	Refrigerator was recently relocated.	If the refrigerator was stored for a long period of time or moved on its side, it is necessary for the refrigerator to stand upright for 24 hours before connecting it to power.
Cooling System runs too much.	Refrigerator is replacing an older model.	Modern refrigerators require more operating time but use less energy due to more efficient technology.
	Refrigerator was recently plugged in or power restored.	The refrigerator will take up to 24 hours to cool completely.
	Door opened often or a large amount of food / hot food was added.	Adding food and opening the door warms the refrigerator, requiring the compressor to run longer in order to cool the refrigerator back down. In order to conserve energy, try to get everything you need out of the refrigerator at once, keep food organized so it is easy to find, and close the door as soon as the food is removed. (Refer to the Food Storage Guide.)
	Doors are not closed completely.	Firmly push the doors shut. If they will not shut all the way, see the Doors will not close completely or pop open section in Parts & Features Troubleshooting.

TROUBLESHOOTING GUIDE

COOLING

Problem	Possible Causes	Solutions
	Refrigerator is installed in a hot location.	The compressor will run longer under warm conditions. At normal room temperatures 70°F (21°C) expect your compressor to run about 40% to 80% of the time. Under warmer conditions, expect it to run even more often. The refrigerator should not be operated above 110°F (43°C).
	Condenser / back cover is clogged.	Use a vacuum cleaner with an attachment to clean the condenser cover and vents. Do not remove the panel covering the condenser coil area.
Refrigerator or Freezer section is too warm.	Refrigerator was recently installed.	It may take up to 24 hours for each compartment to reach the desired temperature.
	The air vents are blocked. Cold air circulates from the freezer to the fresh food section and back again through air vents in the wall dividing the two sections..	Rearrange items to allow air to flow throughout the compartment. Refer to the Airflow diagram in the Using Your Refrigerator section.
	Doors are opened often or for long periods of time.	When the doors are opened often or for long periods of time, warm, humid air enters the compartment. This raises the temperature and moisture level within the compartment. To lessen the effect, reduce the frequency and duration of door openings.
	Unit is installed in a hot location.	The refrigerator should not be operated in temperatures above 110F(43°C).
	A large amount of food or hot food was added to either compartment.	Adding food warms the compartment requiring the cooling system to run. Allowing hot food to cool to room temperature before putting it in the refrigerator will reduce this effect.
	Doors not closed correctly.	See the Doors will not close correctly or pop open section in Parts & Features Troubleshooting.
	Temperature control is not set correctly.	If the temperature is too warm, adjust the control one increment at a time and wait for the temperature to stabilize. Refer to the Setting the Controls section for more information.
	Defrost cycle has recently completed.	During the defrost cycle, the temperature of each compartment may raise slightly and condensation may form on the back wall. Wait 30 minutes and confirm the proper temperature has been restored once the defrost cycle has completed.

TROUBLESHOOTING GUIDE

COOLING/ ICE & WATER

Problem	Possible Causes	Solutions
Interior moisture buildup.	Doors are opened often or for long periods of time.	When the doors are opened often or for long periods of time, warm, humid air enters the compartment. This raises the temperature and moisture level within the compartment. To lessen the effect, reduce the frequency and duration of door openings.
	Doors not closed correctly.	See the Doors will not close correctly section in the Troubleshooting section.
	Weather is humid.	Humid weather allows additional moisture to enter the compartments when the doors are opened leading to condensation or frost. Maintaining a reasonable level of humidity in the home will help to control the amount of moisture that can enter the compartments.
	Defrost cycle recently completed.	During the defrost cycle, the temperature of each compartment may raise slightly and condensation may form on the back wall. Wait 30 minutes and confirm that the proper temperature has been restored once the defrost cycle has completed.
	Food is not packaged correctly.	Food stored uncovered or unwrapped, and damp containers can lead to moisture accumulation within each compartment. Wipe all containers dry and store food in sealed packaging to prevent condensation and frost.
Food is freezing in the refrigerator compartment.	Food with high water content was placed near an air vent.	Rearrange items with high water content away from air vents.
	Refrigerator temperature control is set incorrectly.	If the temperature is too cold, adjust the control one increment at a time and wait for the temperature to stabilize. Refer to the Setting the Controls section for more information.
	Refrigerator is installed in a cold location.	When the refrigerator is operated in temperature below 41°F (5°C), food can freeze in the refrigerator compartment. The refrigerator should not be operated in temperature below 55°F (13°C).
Frost or ice crystals form on frozen food (outside of package).	Door is opened frequently or for long periods of time.	When the doors are opened often or for long periods of time, warm, humid air enters the compartment. This raises the temperature and moisture level within the compartment. Increased moisture will lead to frost and condensation. To lessen the effect, reduce the frequency and duration of door openings.
	Door is not closing properly	Refer to the Doors will not close correctly or pop open section in the Troubleshooting section.

TROUBLESHOOTING GUIDE

Problem	Possible Causes	Solutions
Refrigerator or Freezer section is too cold.	Incorrect temperature control settings.	If the temperature is too cold, adjust the control one increment at a time and wait for the temperature to stabilize. Refer to the Setting the Controls section for more information.
Frost or ice crystals on frozen food (inside of sealed package).	Condensation from food with a high water content has frozen inside of the food package.	This is normal for food items with a high water content.
	Food has been left in the freezer for a long period of time.	Do not store food items with high water content in the freezer for a long period of time.
Icemaker is not making enough ice.	Demand exceeds ice storage capacity.	The icemaker will produce approximately 100 cubes in a 24 hour period.
	House water supply is not connected, valve is not turned on fully, or valve is clogged.	Connect the refrigerator to a cold water supply with adequate pressure and turn the water shutoff valve fully open. If the problem persists, it may be necessary to contact a plumber.
	Water filter has been exhausted.	It is recommended that you replace the water filter: <ul style="list-style-type: none"> •Approximately every six months. •When the water filter indicator turns on. •When the water dispenser output decreases. •When the ice cubes are smaller than normal.
	Low house water supply pressure.	The water pressure must be between 20 and 120 psi or 0,14 and 0,83 Mpa on models without a water filter and between 40 and 120 psi or 0,28 Mpa and 0,83 MPa on models with a water filter. If the problem persists, it may be necessary to contact a plumber.
	Reverse Osmosis filtration system is used.	Reverse osmosis filtration systems can reduce the water pressure below the minimum amount and result in icemaker issues. (Refer to Water Pressure section.)
	Tubing connecting refrigerator to house supply valve is kinked.	The tubing can kink when the refrigerator is moved during installation or cleaning resulting in reduced water flow. Straighten or repair the water supply line and arrange it to prevent future kinks.

TROUBLESHOOTING GUIDE

ICE & WATER

Problem	Possible Causes	Solutions
Icemaker is not making enough ice (continued).	Doors are opened often or for long periods of time.	If the doors of the unit are opened often, ambient air will warm the refrigerator which will prevent the unit from maintaining the set temperature. Lowering the refrigerator temperature can help, as well as not opening the doors as frequently.
	Doors are not closed completely.	If the doors are not properly closed, ice production will be affected. See the Doors will not close completely or pop open section in Parts & Features Troubleshooting for more information.
	The temperature setting for the freezer is too warm.	The recommended temperature for the freezer compartment for normal ice production is 0°F. If the freezer temperature is warmer, ice production will be affected.
Dispensing water slowly.	Water filter has been exhausted.	It is recommended that you replace the water filter: <ul style="list-style-type: none"> •Approximately every six months. •When the water filter indicator turns on. •When the water dispenser output decreases. •When the ice cubes are smaller than normal.
	Reverse osmosis filtration system is used.	Reverse osmosis filtration systems can reduce the water pressure below the minimum amount and result in icemaker issues. If the problem persists, it may be necessary to contact a plumber.
	Low house water supply pressure.	The water pressure must be between 20 and 120 psi or 0,14 and 0,83 Mpa on models without a water filter and between 40 and 120 psi or 0,28 Mpa and 0,83 MPa on models with a water filter. If the problem persists, it may be necessary to contact a plumber.
Icemaker is not making ice.	Refrigerator was recently installed or icemaker recently connected.	It may take up to 24 hours for each compartment to reach the desired temperature and for the icemaker to begin making ice.
	Icemaker not turned on.	Locate the icemaker ON/OFF switch and confirm that it is in the ON (I) position.
	The ice detecting sensor is obstructed.	Foreign substances or frost on the ice-detecting sensor can interrupt ice production. Make sure that the sensor area is clean at all times for proper operation.
	The refrigerator is not connected to a water supply or the supply shutoff valve is not turned on.	Connect refrigerator to the water supply and turn the water shutoff valve fully open.
	Icemaker shutoff (arm or sensor) obstructed.	If your icemaker is equipped with an ice shutoff arm, make sure that the arm moves freely. If your icemaker is equipped with the electronic ice shutoff sensor, make sure that there is a clear path between the two sensors.
	Reverse osmosis water filtration system is connected to your cold water supply.	Reverse osmosis filtration systems can reduce the water pressure below the minimum amount and result in icemaker issues. (Refer to the Water Pressure section.)

TROUBLESHOOTING GUIDE

Problem	Possible Causes	Solutions
Icemaker is not making ice.	Refrigerator was recently installed or icemaker recently connected.	It may take up to 24 hours for each compartment to reach the desired temperature and for the icemaker to begin making ice.
	Icemaker not turned on.	Locate the icemaker ON/OFF switch and confirm that it is in the ON (I) position.
	The ice detecting sensor is obstructed.	Foreign substances or frost on the ice-detecting sensor can interrupt ice production. Make sure that the sensor area is clean at all times for proper operation.
	The refrigerator is not connected to a water supply or the supply shutoff valve is not turned on.	Connect refrigerator to the water supply and turn the water shutoff valve fully open.
	Icemaker shutoff (arm or sensor) obstructed.	If your icemaker is equipped with an ice shutoff arm, make sure that the arm moves freely. If your icemaker is equipped with the electronic ice shutoff sensor, make sure that there is a clear path between the two sensors.
	Reverse osmosis water filtration system is connected to your cold water supply.	Reverse osmosis filtration systems can reduce the water pressure below the minimum amount and result in icemaker issues. (Refer to the Water Pressure section.)
Not dispensing water.	New installation or water line recently connected.	Dispense 2.5 gallons (9 liters) of water (flush for approximately 5 minutes) to remove trapped air and contaminants from the system. Do not dispense the entire 2.5 gallon (9 liters) amount continuously. Depress and release the dispenser pad for cycles of 30 seconds ON and 60 seconds OFF.
	The dispenser panel is locked.	Press and hold the Control Lock button for three seconds to unlock the control panel and dispenser.
	The dispenser is not set for water dispensing.	The dispenser can be set for ice or water. Make certain that the control panel is set for the proper operation. Press the Ice/Water Select button on the control panel.
	Refrigerator or freezer doors are not closed properly.	Water will not dispense if any of the refrigerator doors are left open.
	Water filter has been recently removed or replaced.	After the water filter is replaced, dispense 2.5 gallons of water (flush for approximately 5 minutes) to remove trapped air and contaminants from the system. Do not dispense the entire 2.5 gallon (9 liters) amount continuously. Depress and release the dispenser pad for cycles of 30 seconds ON and 60 seconds OFF.
	Tubing connecting refrigerator to house supply valve is kinked.	The tubing can kink when the refrigerator is moved during installation or cleaning resulting in reduced water flow. Straighten or repair the water supply line and arrange it to prevent future kinks.
The house water supply is not connected, the valve is not turned on fully, or the valve is clogged.	Connect refrigerator to the water supply and turn the water shutoff valve fully open. If the problem persists, it may be necessary to contact a plumber.	

TROUBLESHOOTING GUIDE

Problem	Possible Causes	Solutions
Ice has bad taste or odor.	Water supply contains minerals such as sulfur.	A water filter may need to be installed to eliminate taste and odor problems. NOTE: In some cases, a filter may not help. It may not be possible to remove all minerals / odor / taste in all water supplies.
	Icemaker was recently installed.	Discard the first few batches of ice to avoid discolored or bad tasting ice.
	Ice has been stored for too long.	Ice that has been stored for too long will shrink, become cloudy, and may develop a stale taste. Throw away old ice and make a new supply.
	The food has not been stored properly in either compartment.	Rewrap the food. Odors may migrate to the ice if food is not wrapped properly.
	The interior of the refrigerator needs to be cleaned.	See the Care and Cleaning section for more information.
	The ice storage bin needs to be cleaned.	Empty and wash the bin (discard old cubes). Make sure that the bin is completely dry before reinstalling it.
Dispensing warm water.	Refrigerator was recently installed.	Allow 24 hours after installation for the water storage tank to cool completely.
	The water dispenser has been used recently and the storage tank was exhausted.	Depending on your specific model, the water storage capacity will range from approximately 10 to 30 oz (0,3 to 0,9 liters).
	Dispenser has not been used for several hours.	If the dispenser has not been used for several hours, the first glass dispensed may be warm. Discard the first 10 oz (0,3 liters).
	Refrigerator is connected to the hot water supply.	Make sure that the refrigerator is connected to a cold water pipe. ⚠ WARNING: Connecting the refrigerator to a hot water line may damage the icemaker.
Water has bad taste or odor.	Water supply contains minerals such as sulfur.	A water filter may need to be installed to eliminate taste and odor problems.
	Water filter has been exhausted.	It is recommended that you replace the water filter: <ul style="list-style-type: none"> •Approximately every 6 months. •When the water filter indicator turns on. •When the water dispenser output decreases. •When the ice cubes are smaller than normal.
	Refrigerator was recently installed.	Dispense 2.5 gallons (9 liters) of water (flush for approximately 5 minutes) to remove trapped air and contaminants from the system. Do not dispense the entire 2.5 gallon (9 liters) amount continuously. Depress and release the dispenser pad for cycles of 30 seconds ON and 60 seconds OFF.
Icemaker is making too much ice.	Icemaker shutoff (arm/sensor) is obstructed.	Empty the ice bin. If your icemaker is equipped with an ice shutoff arm, make sure that the arm moves freely. If your icemaker is equipped with the electronic ice shutoff sensor, make sure that there is a clear path between the two sensors. Reinstall the ice bin and wait 24 hours to confirm proper operation.

TROUBLESHOOTING GUIDE

NOISE

Problem	Possible Causes	Solutions
Clicking	The defrost control will click when the automatic defrost cycle begins and ends. The thermostat control (or refrigerator control on some models) will also click when cycling on and off.	Normal Operation
Rattling	Rattling noises may come from the flow of refrigerant, the water line on the back of the unit, or items stored on top of or around the refrigerator.	Normal Operation
	Refrigerator is not resting solidly on the floor.	Floor is weak or uneven or leveling legs need to be adjusted. See the Door Alignment section.
	Refrigerator with linear compressor was jarred while running.	Normal Operation
Whooshing	Evaporator fan motor is circulating air through the refrigerator and freezer compartments.	Normal Operation
	Air is being forced over the condenser by the condenser fan.	Normal Operation
Gurgling	Refrigerant flowing through the cooling system.	Normal Operation
Popping	Contraction and expansion of the inside walls due to changes in temperature.	Normal Operation
Sizzling	Water dripping on the defrost heater during a defrost cycle.	Normal Operation
Vibrating	If the side or back of the refrigerator is touching a cabinet or wall, some of the normal vibrations may make an audible sound.	To eliminate the noise, make sure that the sides and back cannot vibrate against any wall or cabinet.
Dripping	Water running into the drain pan during the defrost cycle.	Normal Operation
Pulsating or High-Pitched Sound	Your refrigerator is designed to run more efficiently to keep your food items at the desired temperature. The high efficiency compressor may cause your new refrigerator to run longer than your old one, but it is still more energy efficient than previous models. While the refrigerator is running, it is normal to hear a pulsating or high-pitched sound.	Normal Operation

TROUBLESHOOTING GUIDE

PARTS & FEATURES

Problem	Possible Causes	Solutions
Doors will not close correctly or pop open.	Food packages are blocking the door open.	Rearrange food containers to clear the door and door shelves.
	Ice bin, crisper cover, pans, shelves, door bins, or baskets are out of position.	Push bins all the way in and put crisper cover, pans, shelves and baskets into their correct positions. See the Using Your Refrigerator section for more information.
	The doors were removed during product installation and not properly replaced.	Remove and replace the doors according to the Removing and Replacing Refrigerator Handles and Doors section.
	Refrigerator is not leveled properly.	See Door Alignment in the Refrigeration Installation section to level refrigerator.
Doors are difficult to open.	The gaskets are dirty or sticky.	Clean the gaskets and the surfaces that they touch. Rub a thin coat of appliance polish or kitchen wax on the gaskets after cleaning.
	Door was recently closed.	When you open the door, warmer air enters the refrigerator. As the warm air cools, it can create a vacuum. If the door is hard to open, wait one minute to allow the air pressure to equalize, then see if it opens more easily.
Refrigerator wobbles or seems unstable.	Leveling legs are not adjusted properly.	Refer to the Leveling and Door Alignment section.
	Floor is not level.	It may be necessary to add shims under the leveling legs or rollers to complete installation.
Lights do not work.	LED interior lighting failure.	The refrigerator compartment lamp is LED interior lighting, and service should be performed by a qualified technician. Refer to the Light Bulb Replacement section.
The interior of the refrigerator is covered with dust or soot.	The refrigerator is located near a fire source, such as a fireplace, chimney or candle.	Make sure that the refrigerator is not located near a fire source, such as a fireplace, chimney or candle.

LIMITED WARRANTY

LG ELECTRONICS U.S.A., INC.
LG REFRIGERATOR LIMITED WARRANTY - U.S.A.

ARBITRATION NOTICE: THIS LIMITED WARRANTY CONTAINS AN ARBITRATION PROVISION THAT REQUIRES YOU AND LG TO RESOLVE DISPUTES BY BINDING ARBITRATION INSTEAD OF IN COURT, UNLESS YOU CHOOSE TO OPT OUT. IN ARBITRATION, CLASS ACTIONS AND JURY TRIALS ARE NOT PERMITTED. PLEASE SEE THE SECTION TITLED "PROCEDURE FOR RESOLVING DISPUTES" BELOW. Should your LG Refrigerator ("Product") fail due to a defect in materials or workmanship under normal and proper use, during the warranty period set forth below, LG Electronics ("LG") will, at its option, repair or replace the Product. This limited warranty is valid only to the original retail purchaser of the Product and applies only when purchased and used within the United States including U.S. Territories.

WARRANTY PERIOD			
Refrigerator/Freezer	Sealed System (Condenser, Dryer, Connecting Tube and Evaporator)	Compressor	
One (1) year from the date of original retail purchase	Five (5) years from the date of original retail purchase	Five (5) years from the date of original retail purchase	Linear / Inverter Compressor Only : Parts Only for years 6-10 from the date of original retail purchase (Consumer will be charged for labor)
Parts and Labor (internal/ functional parts only)	Parts and Labor	Parts and Labor	

- Replacement products and parts are warranted for the remaining portion of the original warranty period or ninety (90) days, whichever is greater.
- Replacement products and parts may be new, reconditioned, refurbished, or otherwise factory remanufactured.
- Proof of original retail purchase specifying the Product model and date of purchase is required to obtain warranty service under this limited warranty.

EXCEPT TO THE EXTENT PROHIBITED BY APPLICABLE LAW, ANY IMPLIED WARRANTY OF MERCHANTABILITY OR FITNESS FOR A PARTICULAR PURPOSE ON THE PRODUCT IS LIMITED IN DURATION TO THE DURATION OF THE ABOVE LIMITED WARRANTY. UNDER NO CIRCUMSTANCES SHALL LG OR ITS U.S. DISTRIBUTORS/DEALERS BE LIABLE FOR ANY INDIRECT, INCIDENTAL, CONSEQUENTIAL, SPECIAL, OR PUNITIVE DAMAGES, INCLUDING, WITHOUT LIMITATION, LOST GOODWILL, LOST REVENUES OR PROFITS, WORK STOPPAGE, IMPAIRMENT OF OTHER GOODS, COST OF REMOVAL AND REINSTALLATION OF THE PRODUCT, LOSS OF USE, OR ANY OTHER DAMAGES WHETHER BASED IN CONTRACT, TORT, OR OTHERWISE. LG'S TOTAL LIABILITY, IF ANY, SHALL NOT EXCEED THE PURCHASE PRICE PAID BY YOU FOR THE PRODUCT.

Some states do not allow the exclusion or limitation of incidental or consequential damages or limitations on how long an implied warranty lasts, so the above exclusions or limitations may not apply to you. This limited warranty gives you specific legal rights and you may also have other rights that vary from state to state.

THIS LIMITED WARRANTY DOES NOT COVER:

- Service trips to deliver, pick up, or install, educate how to operate, correct wiring, or correct unauthorized repairs.
- Damage or failure of the Product to perform during power failures and interrupted or inadequate electrical service.
- Damage or failure caused by leaky or broken water pipes, frozen water pipes, restricted drain lines, inadequate or interrupted water supply or inadequate supply of air.
- Damage resulting from operating the product in a corrosive atmosphere or contrary to the product owner's manual.
- Damage or failure to the Product caused by accidents, pests and vermin, lightning, wind, fire, floods, acts of God, or any other causes beyond the control of LG.
- Damage or failure caused by unauthorized modification or alteration, or if used for other the intended purpose.
- Damage or failure resulting from misuse, abuse, improper installation, repair, or maintenance. Improper repair includes use of parts not authorized by LG. Improper installation or maintenance includes installation or maintenance contrary to the Product owner's manual.
- Damage or failure caused by incorrect electrical current, voltage, or plumbing codes.
- Damage or failure caused by transportation and handling, including scratches, dents, chips, and/or other damage to the finish of the product, unless such damage is reported within one (1) week of delivery.
- Damage or missing items to any display, open box, or discounted Product.
- Refurbished Product or any Product sold "As Is", "Where Is", "With all Faults", or similar disclaimer.
- Products with original serial numbers that have been removed, altered, or cannot be readily determined.
- Increases in utility costs and additional utility expenses.
- Any noises associated with normal operation.
- Use of accessories (e.g., water filters, etc.), components, or consumable cleaning products that are not authorized by LG.
- Replacement or light bulbs, filters, or any consumable parts.
- When Product is used for other than normal and proper household use (e.g. commercial or industrial use, offices, and recreational facilities or vehicles) or contrary to the instructions outlined in the Product's owner's manual.
- Costs associated with removal and reinstallation of your Product for repairs.
- Shelves, door bins, drawers, handle and accessories, except for internal/functional parts covered under this limited warranty.

The cost of repair or replacement under these excluded circumstances shall be borne by the consumer.

TO OBTAIN WARRANTY SERVICE AND ADDITIONAL INFORMATION Call 1-800-243-0000 and select the appropriate option from the menu. Or visit our website at <http://www.lg.com>. Or by mail: LG Electronics Customer Service P.O. Box 240007 Huntsville, AL 35813 ATTN: CIC

LIMITED WARRANTY

PROCEDURE FOR RESOLVING DISPUTES:

ALL DISPUTES BETWEEN YOU AND LG ARISING OUT OF OR RELATING IN ANY WAY TO THIS LIMITED WARRANTY OR THE PRODUCT SHALL BE RESOLVED EXCLUSIVELY THROUGH BINDING ARBITRATION, AND NOT IN A COURT OF GENERAL JURISDICTION. BINDING ARBITRATION MEANS THAT YOU AND LG ARE EACH WAIVING THE RIGHT TO A JURY TRIAL AND TO BRING OR PARTICIPATE IN A CLASS ACTION.

Definitions. For the purposes of this section, references to "LG" mean LG Electronics U.S.A., Inc., its parents, subsidiaries and affiliates, and each of their officers, directors, employees, agents, beneficiaries, predecessors in interest, successors, assigns and suppliers; references to "dispute" or "claim" shall include any dispute, claim or controversy of any kind whatsoever (whether based in contract, tort, statute, regulation, ordinance, fraud, misrepresentation or any other legal or equitable theory) arising out of or relating in any way to the sale, condition or performance of the product or this Limited Warranty.

Notice of Dispute. In the event you intend to commence an arbitration proceeding, you must first notify LG in writing at least 30 days in advance of initiating the arbitration by sending a letter to LG at LG Electronics, USA, Inc. Attn: Legal Department- Arbitration 1000 Sylvan Ave, Englewood Cliffs 07632. You and LG agree to engage in good faith discussions in an attempt to amicably resolve your claim. The notice must provide your name, address, and telephone number; identify the product that is the subject of the claim; and describe the nature of the claim and the relief being sought. If you and LG are unable to resolve the dispute within 30 days, either party may proceed to file a claim for arbitration.

Agreement to Binding Arbitration and Class Action Waiver. Upon failure to resolve the dispute during the 30 day period after sending written notice to LG, you and LG agree to resolve any claims between us only by binding arbitration on an individual basis, unless you opt out as provided below. Any dispute between you and LG shall not be combined or consolidated with a dispute involving any other person's or entity's product or claim. More specifically, without limitation of the foregoing, any dispute between you and LG shall not under any circumstances proceed as part of a class or representative action. Instead of arbitration, either party may bring an individual action in small claims court, but that small claims court action may not be brought on a class or representative basis.

Arbitration Rules and Procedures. To begin arbitration of a claim, either you or LG must make a written demand for arbitration. The arbitration will be administered by the American Arbitration Association ("AAA") and will be conducted before a single arbitrator under the AAA's Consumer Arbitration Rules that are in effect at the time the arbitration is initiated (referred to as the "AAA Rules") and under the procedures set forth in this section. The AAA Rules are available online at www.adr.org/consumer. Send a copy of your written demand for arbitration, as well as a copy of this provision, to the AAA in the manner described in the AAA Rules. You must also send a copy of your written demand to LG at LG Electronics, USA, Inc. Attn: Legal Department- Arbitration 1000 Sylvan Avenue Englewood Cliffs, NJ 07632. If there is a conflict between the AAA Rules and the rules set forth in this section, the rules set forth in this section will govern. This arbitration provision is governed by the Federal Arbitration Act. Judgment may be entered on the arbitrator's award in any court of competent jurisdiction. All issues are for the arbitrator to decide, except that issues relating to the scope and enforceability of the arbitration provision and to the arbitrability of the dispute are for the court to decide. The arbitrator is bound by the terms of this provision.

Governing Law. The law of the state of your residence shall govern this Limited Warranty and any disputes between us except to the extent that such law is preempted by or inconsistent with applicable federal law.

Fees/Costs. You do not need to pay any fee to begin an arbitration. Upon receipt of your written demand for AAA unless you seek more than \$25,000 in damages, in which case the payment of these fees will be governed by the AAA Rules. Except as otherwise provided for herein, LG will pay AAA filing, administration and arbitrator fees for any arbitration initiated in accordance with the AAA Rules and this arbitration provision. If you prevail in the arbitration, LG will pay your attorneys' fees and expenses as long as they are reasonable, by considering factors including, but not limited to, the purchase amount and claim amount. Notwithstanding the foregoing, if applicable law allows for an award of reasonable attorneys' fees and expenses, an arbitrator can award them to the same extent that a court would. If the arbitrator finds either the substance of your claim or the relief sought in the demand is frivolous or brought for an improper purpose (as measured by the standards set forth in Federal Rule of Civil Procedure 11(b)), then the payment of all arbitration fees will be governed by the AAA Rules. In such a situation, you agree to reimburse LG for all monies previously disbursed by it that are otherwise your obligation to pay under the AAA Rules. Except as otherwise provided for, LG waives any rights it may have to seek attorneys' fees and expenses from you if LG prevails in the arbitration.

Hearings and Location. If your claim is for \$25,000 or less, you may choose to have the arbitration conducted solely on the basis of (1) documents submitted to the arbitrator, (2) through a telephonic hearing, or (3) by an in-person hearing as established by the AAA Rules. If your claim exceeds \$25,000, the right to a hearing will be determined by the AAA Rules. Any in-person arbitration hearings will be held at a location within the federal judicial district in which you reside unless we both agree to another location or we agree to a telephonic arbitration.

Opt Out. You may opt out of this dispute resolution procedure. If you opt out, neither you nor LG can require the other to participate in an arbitration proceeding. To opt out, you must send notice to LG no later than 30 calendar days from the date of the first consumer purchaser's purchase of the product by either: (i) sending an e-mail to optout@lge.com, with the subject line: "Arbitration Opt Out" or (ii) calling 1-800-980-2973. You must include in the opt out e-mail or provide by telephone: (a) your name and address; (b) the date on which the product was purchased; (c) the product model name or model number; and (d) the serial number (the serial number can be found (i) on the product; or (ii) online by accessing <https://www.lg.com/us/support/repair-service/schedule-repair-continued> and clicking on "Find My Model & Serial Number").

You may only opt out of the dispute resolution procedure in the manner described above (that is, by e-mail or telephone); no other form of notice will be effective to opt out of this dispute resolution procedure. Opting out of this dispute resolution procedure will not affect the coverage of the Limited Warranty in any way, and you will continue to enjoy the full benefits of the Limited Warranty. If you keep this product and do not opt out, then you accept all terms and conditions of the arbitration provision described above.

LIMITED WARRANTY

LG ELECTRONICS CANADA, INC. LG REFRIGERATOR LIMITED WARRANTY - Canada

ARBITRATION NOTICE: THIS LIMITED WARRANTY CONTAINS AN ARBITRATION PROVISION THAT REQUIRES YOU AND LG TO RESOLVE DISPUTES BY BINDING ARBITRATION INSTEAD OF IN COURT, UNLESS THE LAWS OF YOUR PROVINCE OR TERRITORY DO NOT PERMIT THAT, OR, IN OTHER JURISDICTIONS, IF YOU CHOOSE TO OPT OUT. IN ARBITRATION, CLASS ACTIONS AND JURY TRIALS ARE NOT PERMITTED. PLEASE SEE THE SECTION TITLED "PROCEDURE FOR RESOLVING DISPUTES" BELOW.

Should your LG Refrigerator ("Product") fail due to a defect in materials or workmanship under normal and proper use, during the warranty period set forth below, LG Electronics Canada, Inc. ("LGECI") will, at its option, repair or replace the Product upon receipt of proof of the original retail purchase. This limited warranty is valid only to the original retail purchaser of the Product and applies only to a Product distributed, purchased and used within Canada, as determined at the sole discretion of LGECI.

WARRANTY PERIOD (Note: If the original date of purchase cannot be verified, the warranty will begin sixty (60) days from the date of manufacture)			
Refrigerator	Sealed System (Condenser, Dryer, Connecting Tube and Evaporator)		Linear / Inverter Compressor
One (1) year from the date of original retail purchase	One (1) year from the date of original retail purchase	Seven (7) years from the date of original retail purchase	Ten (10) years from the date of original retail purchase
Parts and Labor (internal/functional parts only)	Parts and Labor	Parts only (Consumer will be charged for labor)	Part only (Consumer will be charged for labor)

- Replacement products and parts are warranted for the remaining portion of the original warranty period or ninety (90) days, whichever is greater.
- Replacement products and parts may be new, reconditioned, refurbished, or otherwise factory remanufactured, all at the sole discretion of LGECI.
- Proof of original retail purchase specifying the Product model and date of purchase is required to obtain warranty service under this Limited Warranty.

LGECI'S SOLE LIABILITY IS LIMITED TO THE LIMITED WARRANTY SET OUT ABOVE. EXCEPT AS EXPRESSLY PROVIDED ABOVE, LGECI MAKES NO, AND HEREBY DISCLAIMS, ALL OTHER WARRANTIES AND CONDITIONS RESPECTING THE PRODUCT, WHETHER EXPRESS OR IMPLIED, INCLUDING BUT NOT LIMITED TO, ANY IMPLIED WARRANTY OR CONDITION OF MERCHANTABILITY OR FITNESS FOR A PARTICULAR PURPOSE, AND NO REPRESENTATIONS SHALL BE BINDING ON LGECI. LGECI DOES NOT AUTHORIZE ANY PERSON TO CREATE OR ASSUME FOR IT ANY OTHER WARRANTY OBLIGATION OR LIABILITY IN CONNECTION WITH THE PRODUCT. TO THE EXTENT THAT ANY WARRANTY OR CONDITION IS IMPLIED BY LAW, IT IS LIMITED TO THE WARRANTY PERIOD SET OUT ABOVE. UNDER NO CIRCUMSTANCES SHALL LGECI, THE MANUFACTURER OR DISTRIBUTOR OF THE PRODUCT, BE LIABLE FOR ANY INCIDENTAL, CONSEQUENTIAL, SPECIAL, DIRECT, INDIRECT, PUNITIVE OR EXEMPLARY DAMAGES, INCLUDING, WITHOUT LIMITATION, LOSS OF GOODWILL, LOST PROFITS, LOSS OF ANTICIPATED PROFITS, LOST REVENUE, LOSS OF USE, OR ANY OTHER DAMAGE, WHETHER ARISING DIRECTLY OR INDIRECTLY FROM ANY CONTRACTUAL BREACH, FUNDAMENTAL BREACH, TORT OR OTHERWISE, OR FROM ANY ACTS OR OMISSIONS. LGECI'S TOTAL LIABILITY, IF ANY, SHALL NOT EXCEED THE PURCHASE PRICE PAID BY YOU FOR THE PRODUCT.

This Limited Warranty gives you specific legal rights. You may also have other rights that vary from province to province depending on applicable provincial laws. Any term of this Limited Warranty that negates or varies any implied condition or warranty under provincial law is severable where it conflicts with such provincial law without affecting the remainder of this warranty's terms.

THIS LIMITED WARRANTY DOES NOT COVER:

- Service trips to i) deliver, pick up, or install or; educate on how to operate the Product; ii) correct wiring or plumbing; or iii) correct unauthorized repairs or installations of the Product;
- Damage or failure of the Product to perform during power failures and interrupted or inadequate electrical service;
- Damage or failure caused by leaky or broken water pipes, frozen water pipes, restricted drain lines, inadequate or interrupted water supply or inadequate supply of air;
- Damage or failure resulting from operating the Product in a corrosive atmosphere or contrary to the instructions outlined in the Product's owner's manual;
- Damage or failure to the Product caused by accidents, pests and vermin, lightning, wind, fire, floods, acts of God, or any other causes beyond the control of LGECI or the manufacturer;
- Damage or failure resulting from misuse, abuse, improper installation, repair, or maintenance of the Product. Improper repair includes use of parts not authorized or specified by LGECI. Improper installation or maintenance includes installation or maintenance contrary to the Product's owner's manual;
- Damage or failure caused by unauthorized modification or alteration of the Product, or if used for other than the intended household purpose/use of the Product, or damage or failure resulting from any water leakage due to improper installation of the Product;
- Damage or failure caused by incorrect electrical current, voltage or plumbing codes;
- Damage or failure caused by use that is other than normal household use, including, without limitation, commercial or industrial use, including use in commercial offices or recreational facilities, or as otherwise outlined in the Product's owner's manual;
- Damage or failure caused by the use of any accessories, components or cleaning products, including, without limitation, water filters, that are not approved/authorized by LGECI;
- Replacement of the water filter cartridge due to water pressure that is outside the specified operating range or due to excessive sediment in the water supply;
- Damage or failure caused by transportation and handling, including scratches, dents, chips and/or other damage to the finish of the Product, **unless** such damage results from defects in materials or workmanship and is reported to LGECI within one (1) week of delivery of the Products;
- Damage or missing items to any display, open box, refurbished or discounted Product;
- Refurbished Product or any Product sold "As Is", "Where Is", "With all Faults", or any similar disclaimer;
- Products with original serial numbers that have been removed, altered or cannot be readily determined at the discretion of LGECI;
- Increases in utility costs and additional utility expenses in any way associated with the Product;

LIMITED WARRANTY

- Any noises associated with normal operation of the Product;
 - Replacement of light bulbs, filters, fuses or any other consumable parts;
 - Replacement of any part that was not originally included with the Product;
 - Costs associated with removal and/or reinstallation of the Product for repairs; and
 - Shelves, door bins, drawers, handle and accessories to the Product, except for internal/functional parts covered under this Limited Warranty.
- Coverage for "in Home" repairs, for products in-warranty, will be provided if the Product is within a 150 km radius from the nearest authorized service center (ASC), as determined by LG Canada. If your Product is located outside a 150 km radius from a ASC, as determined by LG Canada, it will be your responsibility to bring the Product, at your sole expense, to the ASC for in-warranty repair.

All costs and expenses associated with the above excluded circumstances, listed under the heading, This Limited Warranty Does Not Cover, shall be borne by the consumer. TO OBTAIN WARRANTY SERVICE AND ADDITIONAL INFORMATION, PLEASE CALL OR VISIT OUR WEBSITE: Call 1-888-542-2623 (7 A.M. to 12 A.M., 365 days a year) and select the appropriate option from the menu, or. Visit our website at <http://www.lg.com>

PROCEDURE FOR RESOLVING DISPUTES:

EXCEPT WHERE PROHIBITED AT LAW, ALL DISPUTES BETWEEN YOU AND LG ARISING OUT OF OR RELATING IN ANY WAY TO THIS LIMITED WARRANTY OR THE PRODUCT SHALL BE RESOLVED EXCLUSIVELY THROUGH BINDING ARBITRATION, AND NOT IN A COURT OF GENERAL JURISDICTION. EXCEPT WHERE PROHIBITED AT LAW, YOU AND LG BOTH IRREVOCABLY AGREE TO WAIVE THE RIGHT TO A JURY TRIAL AND TO BRING OR PARTICIPATE IN A CLASS ACTION.

Definitions. For the purposes of this section, references to "LG" mean LG Electronics Canada, Inc., its parents, subsidiaries and affiliates, and each of their officers, directors, employees, agents, beneficiaries, predecessors in interest, successors, assigns and suppliers; references to "dispute" or "claim" shall include any dispute, claim or controversy of any kind whatsoever (whether based in contract, tort, statute, regulation, ordinance, fraud, misrepresentation or any other legal or equitable theory) arising out of or relating in any way to the sale, condition or performance of the product or this Limited Warranty.

Notice of Dispute. In the event you intend to commence an arbitration proceeding, you must first notify LG in writing at least 30 days in advance of initiating the arbitration by sending a letter to LG Electronics, Canada, Inc., Attn: Legal Department-Arbitration, 20 Norelco Drive, North York, Ontario M9L 2X6. You and LG agree to engage in good faith discussions in an attempt to amicably resolve your claim. The notice must provide your name, address, and telephone number; identify the product that is the subject of the claim; and describe the nature of the claim and the relief being sought. If you and LG are unable to resolve the dispute within 30 days, either day party may proceed to file a claim for arbitration.

Agreement to Binding Arbitration and Class Action Waiver. Upon failure to resolve the dispute during the 30 day period after sending written notice to LG, you and LG agree to resolve any claims between you and LG only by binding arbitration on an individual basis, unless you opt out as provided below, or you reside in a jurisdiction that prevents full application of this clause in the circumstances of the claims at issue (in which case if you are a consumer, this clause will only apply if you expressly agree to the arbitration). To the extent permitted by applicable law, any dispute between you and LG shall not be combined or consolidated with a dispute involving any other person's or entity's product or claim. More specifically, without limitation of the foregoing, except to the extent such a prohibition is not permitted at law, any dispute between you and LG shall not under any circumstances proceed as part of a class or representative action. Instead of arbitration, either party may bring an individual action in small claims court, but that small claims court action may not be brought on a class or representative basis except to the extent this prohibition is not permitted at law in your province or territory of jurisdiction as it relates to the claims at issue between you and LG.

Arbitration Rules and Procedures. To begin arbitration of a claim, either you or LG must make a written demand for arbitration. The arbitration will be private and confidential, and conducted on a simplified and expedited basis before a single arbitrator chosen by the parties under the provincial or territorial commercial arbitration law and rules of the province or territory of your residence. You must also send a copy of your written demand to LG at LG Electronics, Canada, Inc., Attn: Legal Department-Arbitration, 20 Norelco Drive, North York, Ontario M9L 2X6. This arbitration provision is governed by your applicable provincial or territorial commercial arbitration legislation. Judgment may be entered on the arbitrator's award in any court of competent jurisdiction. All issues are for the arbitrator to decide, except that, issues relating to the scope and enforceability of the arbitration provision and to the arbitrability of the dispute are for the court to decide. The arbitrator is bound by the terms of this provision.

Governing Law. The law of the province or territory of your residence shall govern this Limited Warranty and any disputes between you and LG except to the extent that such law is preempted by or inconsistent with applicable federal or provincial/territorial law. Should arbitration not be permitted for any claim, action, dispute or controversy between you and LG, you and LG attorn to the exclusive jurisdiction of the courts of the province or territory of your residence for the resolution of the claim, action, dispute or controversy between you and LG.

Fees/Costs. You do not need to pay any fee to begin an arbitration. Upon receipt of your written demand for arbitration, LG will promptly pay all arbitration filing fees unless you seek more than \$25,000 in damages, in which case the payment of these fees will be governed by the applicable arbitration rules. Except as otherwise provided for herein, LG will pay all filing, administration and arbitrator fees for any arbitration initiated in accordance with the applicable arbitration rules and this arbitration provision. If you prevail in the arbitration, LG will pay your attorneys' fees and expenses as long as they are reasonable, by considering factors including, but not limited to, the purchase amount and claim amount. Notwithstanding the foregoing, if applicable law allows for an award of reasonable attorneys' fees and expenses, an arbitrator can award them to the same extent that a court would. If the arbitrator finds either the substance of your claim or the relief sought in the demand is frivolous or brought for an improper purpose (as measured by the applicable laws), then the payment of all arbitration fees will be governed by the applicable arbitration rules. In such a situation, you agree to reimburse LG for all monies previously disbursed by it that are otherwise your obligation to pay under the applicable arbitration rules. Except as otherwise provided for, LG waives any rights it may have to seek attorneys' fees and expenses from you if LG prevails in the arbitration.

Hearings and Location. If your claim is for \$25,000 or less, you may choose to have the arbitration conducted solely (1) on the basis of documents submitted to the arbitrator, (2) through a telephonic hearing, or (3) by an in-person hearing as established

LIMITED WARRANTY

by the applicable arbitration rules. If your claim exceeds \$25,000, the right to a hearing will be determined by the applicable arbitration rules. Any in-person arbitration hearings will be held at the nearest, most mutually-convenient arbitration location available within the province or territory in which you reside unless you and LG both agree to another location or agree to a telephonic arbitration.

Severability and Waiver. If any portion of this Limited Warranty (including these arbitration procedures) is unenforceable, the remaining provisions will continue in full force and effect to the maximum extent permitted by applicable law. Should LG fail to enforce strict performance of any provision of this Limited Warranty (including these arbitration procedures), it does not mean that LG intends to waive or has waived any provision or part of this Limited Warranty.



Opt Out. You may opt out of this dispute resolution procedure. If you opt out, neither you nor LG can require the other to participate in an arbitration proceeding. To opt out, you must send notice to LG no later than 30 calendar days from the date of the first consumer purchaser's purchase of the product by either (i) sending an e-mail to optout@lge.com, with the subject line: "Arbitration Opt Out;" or (ii) calling 1-800-980-2973. You must include in the opt out e-mail or provide by telephone: (a) your name and address; (b) the date on which the product was purchased; (c) the product model name or model number; and (d) the serial number (the serial number can be found (i) on the product; or (ii) online by accessing https://www.lg.com/ca_en/support/repair-service/schedule-repair and clicking on "Find My Model & Serial Number").

In the event that you "Opt Out", the law of the province or territory of your residence shall govern this Limited Warranty and any disputes between you and LG except to the extent that such law is preempted by or inconsistent with applicable federal or provincial/territorial law. Should arbitration not be permitted for any claim, action, dispute or controversy between you and LG, you and LG agree to attorn to the exclusive jurisdiction of the courts of the province or territory of your residence for the resolution of the claim, action, dispute or controversy between you and LG. You may only opt out of the dispute resolution procedure in the manner described above (that is, by e-mail or telephone); no other form of notice will be effective to opt out of this dispute resolution procedure. Opting out of this dispute resolution procedure will not affect the coverage of the Limited Warranty in any way, and you will continue to enjoy the full benefits of the Limited Warranty. If you keep this product and do not opt out, then you accept all terms and conditions of the arbitration provision described above.

Conflict of Terms. In the event of a conflict or inconsistency between the terms of this Limited Warranty and the End User License Agreement ("EULA") in regards to dispute resolution, the terms of this Limited Warranty shall control and govern the rights and obligations of the parties and shall take precedence over the EULA.

SMART FUNCTIONS

LG ThinQ Application

This feature is only available on models with the  or  logo.

The **LG ThinQ** application allows you to communicate with the appliance using a smartphone.

LG ThinQ Application Features

Communicate with the appliance from a smartphone using the convenient smart features.

Smart Diagnosis

- If you experience a problem while using the appliance, this smart diagnosis feature will help you diagnose the problem.

NOTE



- The application is subject to change for appliance improvement purposes without notice to users.
- Functions may vary by model

Installing the LG ThinQ Application

Search for the LG ThinQ application from the Google Play Store or Apple App Store on a smart phone.

- Follow instructions to download and install the application.
- Run the LG ThinQ application and follow the instructions in the application to register the appliance.

Smart Diagnosis

This feature is only available on models with the  or  logo.

Use this feature to help you diagnose and solve problems with your appliance.

NOTE

- For reasons not attributable to LGE's negligence, the service may not operate due to external factors such as, but not limited to, Wi-Fi unavailability, Wi-Fi disconnection, local app store policy, or app unavailability.
- The feature may be subject to change without prior notice and may have a different form depending on where you are located.

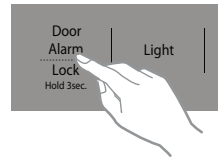
Using Audible Diagnosis to Diagnose Issues

Follow the instructions below to use the audible diagnosis method.

- Launch the **LG ThinQ** application and select the Smart Diagnosis feature in the menu. Follow the instructions for audible diagnosis provided in the **LG ThinQ** application.

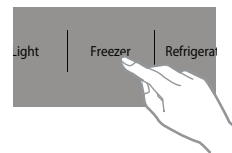
1 Close the freezer and refrigerator doors, then press and hold the Lock button to activate the lock function.

- If the display has been locked for over 5 minutes, you must deactivate the lock and then reactivate it.



2 Press and hold the **Freezer** button for 3 seconds or longer.

- The control panel will be turned off, and then '3' will be displayed on the refrigerator temperature display part.



3 Open the refrigerator doors, and then hold the phone on the upper right speaker hole.



4 After the data transfer is complete, the diagnosis will be displayed in the application.

NOTE

- For best results, do not move the phone while the tones are being transmitted.

MANUAL DE USUARIO REFRIGERADOR CON CONGELADOR INFERIOR

Lea detenidamente este manual antes de empezar a utilizar el refrigerador y guárdelo como referencia para el futuro.

TABLA DE CONTENIDO

Instrucciones de seguridad importantes	2-3	► Sección congelador	
Requisitos eléctricos y de conexión a tierra	3	Durabase	21
		Divisor Durabase	21
		Gaveta extraíble	21
Componentes y características	4	Filtro de agua	22-26
Instalación del refrigerador	5-12	Cuidado y limpieza	27-28
Desempaque	5	Sugerencias generales de limpieza	27
Instalación	5		
Desmontaje y colocación de las			
Manijas y puertas del congelador	6-11	Como conectar la tubería de agua	29-31
Nivelación y alineación de las puertas	12		
		Guía de solución de problemas	32-40
Uso del refrigerador	13-20	Garantía	41-42
Ajuste de los controles	13-14		
Máquina de hielo automática	15	Smart Diagnosis™	43
Guía para el almacenamiento		(Diagnóstico Inteligente)	
de alimentos	16		
► Sección refrigerador			
Dispensador de agua	18		
Estantes del refrigerador	19		
Gaveta con control de humedad	20		
Glide 'N' Serve	20		
Bandejas de la puerta	21		
Gaveta de lácteos	21		

INSTRUCCIONES IMPORTANTES DE SEGURIDAD

MENSAJES DE SEGURIDAD

Hemos incluido muchos mensajes importantes de seguridad en este manual. Lea y obedezca siempre todos los mensajes de seguridad.



Este es el símbolo de advertencia de seguridad. Este símbolo le llama la atención sobre peligros potenciales que pueden ocasionar la muerte o una lesión a usted y a los demás, así como daños al producto. Todos los mensajes de seguridad irán a continuación del símbolo de advertencia de seguridad y de la palabra "PELIGRO", "PRECAUCIÓN" o "ADVERTENCIA". Estas palabras significan:

PELIGRO

Si no sigue las instrucciones de inmediato, usted puede morir o sufrir una lesión grave.

ADVERTENCIA

Si no sigue las instrucciones de inmediato, usted puede morir o sufrir una lesión grave.

PRECAUCIÓN

Si no sigue las instrucciones, usted puede morir o sufrir una lesión grave. Indica una situación de peligro inminente la cual, si no se evita, puede resultar en daños menores o daños al producto.

Todos los mensajes de seguridad le dirán el peligro potencial, le dirán cómo reducir las posibilidades de sufrir una lesión y lo que puede suceder si no se siguen las instrucciones.

ADVERTENCIA

Para reducir el riesgo de fuego, choque eléctrico o lesiones a personas, se deben tomar las siguientes medidas de precaución:

- NUNCA desconecte su refrigerador jalando del cable, siempre tome firmemente el enchufe y desconéctelo directamente de la fuente de poder. Repare o reemplace inmediatamente todos los cables de servicio que se han dañado. No use cables que tengan fracturas o daños por abrasión a lo largo del cable o en el enchufe.
- Cuando mueva su refrigerador, tenga cuidado de no pisar el cable de alimentación con los rodillos del aparato.
- **NO** almacene o use gasolina u otros combustibles (líquidos o vapores) en los alrededores de éste u otro electrodoméstico.
- **NO** permita que los niños suban, cuelguen o trepen las puertas o parrillas del refrigerador. Pueden lesionarse y dañar el producto.
- Mantenga sus dedos alejados de aquellas áreas en las que se pueden lesionar tales como las áreas de cierre de puertas, bisagras y estantes. Tenga cuidado al cerrar las puertas cuando los niños se encuentren cerca.
- Desenchufe el refrigerador antes de limpiarlo o hacer cualquier reparación. **NOTA:** Le recomendamos realizar cualquier clase de servicio con una persona calificada.
- Para su seguridad, este producto debe estar conectado a tierra de manera apropiada. Haga revisar su circuito de electricidad por un electricista calificado para asegurar una buena conexión a tierra.
- Si ya no es necesario el uso de esta unidad, pongase en contacto con las autoridades locales para deshacerse de este producto de una manera segura debido a que contiene ciclopentano o pentano como gas para el

ADVERTENCIA: (solo modelos R600a) Este refrigerador contiene una pequeña cantidad de refrigerante isobutano (R600a), también es combustible. Cuando la unidad sea transportada e instalada, tenga cuidado de asegurarse que ningún componente del circuito refrigerante esté dañado. Si el refrigerante fuga de la tubería puede encenderse o causar daños en los ojos. Si alguna fuga es detectada, evite el contacto con llamas o fuentes potenciales de incendio y mejore la ventilación del lugar donde se encuentra el refrigerador. En caso de detectar una fuga en el circuito del refrigerante y con el fin de evitar la creación de una mezcla de gas inflamable, el tamaño de la habitación del lugar donde el aparato está localizado debe depender de la cantidad de refrigerante usado. El lugar debe ser de 1m² por cada 8 gramos de refrigerante R600a que contenga el refrigerador. La cantidad de refrigerante usada en su refrigerador es mostrada en la etiqueta de especificación localizada en el interior. Nunca conecte el aparato si muestra algún signo de daño, si tiene alguna duda consulte a su centro de servicio.

PRECAUCIÓN: (solo modelos R600a) Riesgo de Incendio, tenga siempre en cuenta los siguientes puntos de precaución cuando mueva o repare el refrigerador ya que el refrigerante usado es un gas inflamable: • Evite el uso de cualquier llama o fuente de calor para acceder al sistema de sellado cuando la unidad esté siendo cargada con refrigerante. • En caso de alguna fuga de refrigerante, ventilar completamente el área de trabajo antes de comenzar a trabajar. • Tenga cuidado de NO dañar la tubería de refrigeración.

aislamiento. Los gases de aislamiento requieren un proceso de eliminación especial. Este producto contiene aislamiento inflamable.

- Su refrigerador debe estar nivelado y en un piso firme.
- **NO** alargue o modifique el cable de alimentación
- No guarde botellas en el compartimento del congelador, ya que podrían estallar al congelarse y causar daños.
- Lea todas las instrucciones antes de utilizar el producto.
- Utilice el producto únicamente para el fin que se describe en esta guía.
- Una vez que el refrigerador se encuentra en operación, no toque con las manos mojadas las superficies frías del congelador, la piel puede adherirse a las superficies. En aquellos refrigeradores con fábrica automática de hielo, evite contacto con las partes móviles del mecanismo expulsor o con el mecanismo de calentamiento que libera los cubos, **NO** coloque sus dedos o manos en ellos cuando el refrigerador está conectado. El Ministerio de Agricultura de los EE.UU., Boletín N° 69 sobre Hogares y Jardines señala:
- **NO** vuelva a congelar los alimentos que hayan sido descongelados previamente.
- **NO** utilizar extensiones o adaptadores sin puesta a tierra.

PRECAUCIÓN: (solo modelos R600a) Riesgo de Fuego o Explosión (Refrigerante Inflamable), el refrigerador solamente debe ser reparado por personal de servicio calificado. No perforar la tubería de refrigeración. Consulte el manual de usuario antes de poner en servicio este producto. Deben seguirse al pie de la letra todas las precauciones de seguridad.

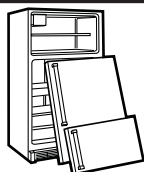
GUARDE ESTAS INSTRUCCIONES

⚠ PRECAUCIÓN

Este aparato no está destinado para su uso por las personas (incluidos niños) con capacidad física, sensorial o mental reducida, falta de experiencia y conocimientos, a menos que se les haya dado la supervisión o instrucción en relación con el uso del aparato por la persona responsable de su seguridad. Los niños deben ser supervisados para asegurar que no jueguen con el aparato.

⚠ PELIGRO: LOS NIÑOS PUEDEN QUEDAR ATRAPADOS

El quedar atrapado y asfixia en niños no es un problema del pasado. Los refrigeradores tirados y abandonados son un peligro, aún si van a quedar ahí "por unos cuantos días". Si Ud. está por deshacerse de su refrigerador viejo, por favor siga las siguientes instrucciones para prevenir accidentes.



ANTES DE TIRAR SU REFRIGERADOR O CONGELADOR CUANDO YA NO SE USE:

- Saque las puertas
- Deje los estantes en su lugar, así los niños no pueden meterse en ellos con facilidad.

CÓMO DESECHAR LOS CFC

Su refrigerador viejo tiene un sistema de refrigeración que utiliza CFC (clorofluorocarbonos). Los CFC afectan a la capa estratosférica de ozono.

Si Ud. tira su refrigerador viejo, asegúrese que el

refrigerante CFC sea eliminado de la manera apropiada por personal calificado. Si Ud. libera intencionalmente el refrigerante con CFC puede estar sujeto a multas o prisión de acuerdo a las legislaciones ambientales vigentes.

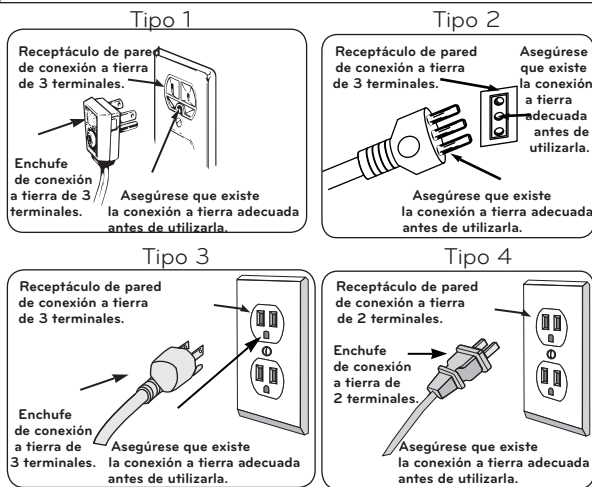
REQUERIMIENTOS DE CONEXIÓN A TIERRA

IMPORTANTE: Lea con atención lo siguiente.

CONEXIÓN

⚠ ADVERTENCIA

PELIGRO DE CHOQUE ELÉCTRICO PARA SU SEGURIDAD PERSONAL, este aparato debe estar aterrizado apropiadamente. Haga revisar por un personal experto sus contactos de pared para asegurarse de que el enchufe está conectado a tierra apropiadamente.



MÉTODO DE CONEXIÓN A TIERRA RECOMENDADO

Su refrigerador debe estar siempre conectado a un circuito propio que esté conectado adecuadamente a tierra. La alimentación de energía debe ser únicamente de 115 V ~ 60 Hz, 127 V ~ 60 Hz ó 220 V ~ 50/60 Hz (de acuerdo a las especificaciones del país donde se encuentre) y con fusibles de 15 A para voltajes entre 115 y 127 V ó de 10 A para voltajes de 220 V independientes al sistema de protección del suministro principal de su hogar. (La instalación eléctrica debe ser verificada por personal técnico especializado.)

Esto brinda el mejor desempeño y previene de las sobrecargas de energías que pueden provocar un incendio debido al sobrecalentamiento de los cables.

Se recomienda que se utilice un circuito separado para este producto, así como un receptáculo que no puede ser desconectado con un interruptor. No utilice un cable de extensión.

Es su responsabilidad y obligación reemplazar aquellos receptáculos de 2 terminales por uno de 3 terminales conectado debidamente a tierra.

Bajo ninguna circunstancia corte o arranque la tercera terminal (tierra) del enchufe.

NOTA: Antes de instalar, limpiar o cambiar los focos, desconecte el refrigerador. Cuando haya terminado, vuelva a conectar el refrigerador y ajuste el control (de termostato, refrigerador o congelador, según su modelo) a la posición deseada.

USO DE CABLES DE EXTENSIÓN

Nosotros le recomendamos que no utilice los cables de extensión. Sin embargo, si usted desea utilizar un cable de extensión, es absolutamente necesario que se encuentre en la lista de UL (en los Estados Unidos) o en la lista de la CSA (en Canadá), tenga 3 terminales y que soporte una carga de energía de 15 A para voltajes entre 115 y 127 V ó de 10 A para voltajes de 220 V. (Verifique las especificaciones eléctricas del país donde se encuentre). El uso de un cable de extensión incrementará el área que su refrigerador necesita en la parte de atrás.

⚠ ADVERTENCIA

REEMPLAZO DE CABLE DE CORRIENTE

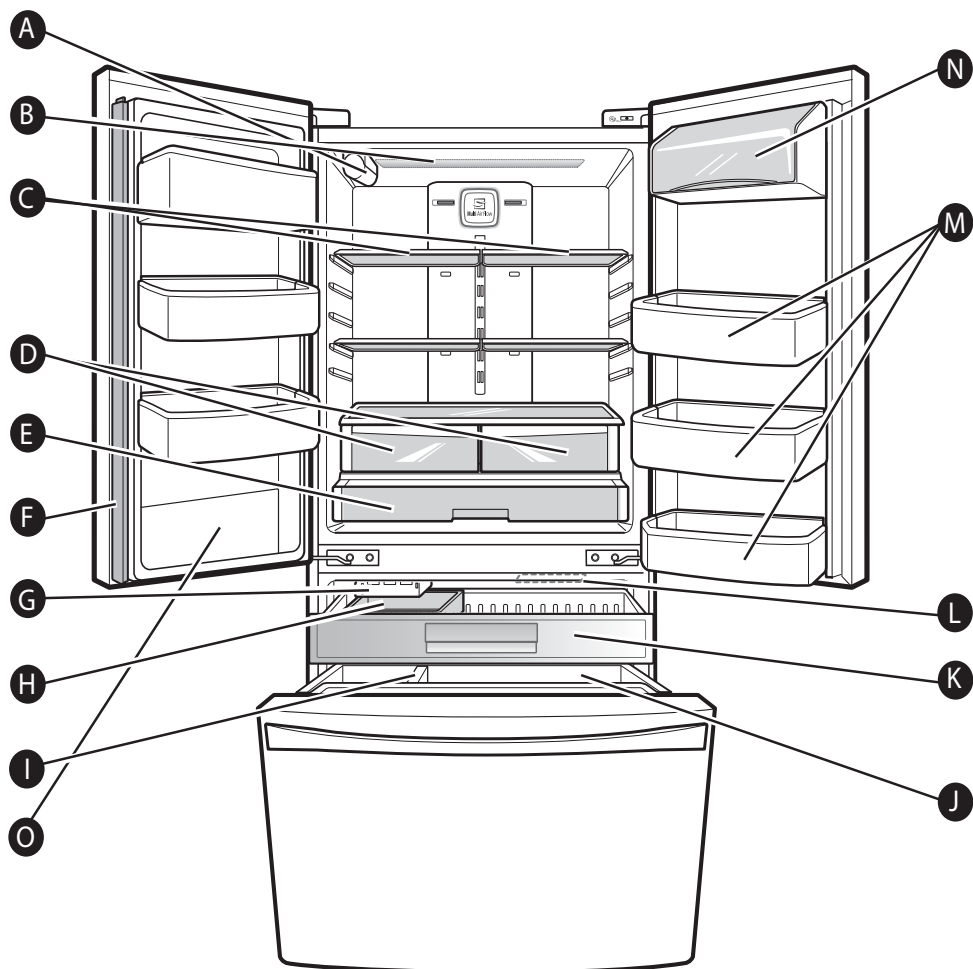
Si el cordón de alimentación se daña, éste debe ser reemplazado por el fabricante, por nuestro centro de servicio o personal calificado por LG para evitar algún riesgo.

⚠ ADVERTENCIA

NO USAR DISPOSITIVOS MECÁNICOS

No use dispositivos mecánicos u otros medios para acelerar el proceso de descongelamiento, solo aquellos recomendados por el fabricante.

PARTES Y CARACTERÍSTICAS



Use esta página para familiarizarse con los componentes y funciones del refrigerador.

NOTA: Esta guía cubre varios modelos distintos. El refrigerador que ha adquirido puede tener algunos o todos los componentes que se enumeran a continuación. Es posible que las ubicaciones de las funciones que se indican no coincidan con su modelo.

- | | |
|---|------------------------------------|
| A Filtro de agua | I Divisor Durabase |
| B Luz del refrigerador | J Durabase |
| C Estantes del refrigerador | K Cajón extraíble |
| D Cajón con control de humedad | L Luz del congelador |
| E Cajón con control de temperatura | M Bandejas de puerta |
| F Parteluz articulado | N Bandeja para lácteos |
| G Máquina de hielo | O Tapa del depósito de agua |
| H Depósito de hielo | |

* En algunos modelos

INSTALACIÓN DEL REFRIGERADOR

"Este aparato está destinado a ser usado en aplicaciones domésticas y similares, tales como:

- Áreas de personal de cocina en tiendas, oficinas y otros ambientes de trabajo; Casas de campo y por clientes en hoteles, moteles y otros ambientes de tipo residencial.
- Entornos de alojamiento y desayuno de tipo; Hostelería y similares aplicaciones no comerciales".

⚠ ADVERTENCIA

PELIGRO DE PESO EXCESIVO

Use la ayuda de dos o más personas para mover e instalar el refrigerador, no seguir estas instrucciones puede ocasionar lesiones en la espalda u otras partes del cuerpo.

DESEMPAQUE

Antes de instalar su refrigerador, despegue y remueva las cintas y etiquetas temporales. Retirar vinil de las puertas antes de conectar la unidad a la corriente eléctrica (solo en algunos modelos). No retire aquellas etiquetas que muestren advertencias, el modelo y número de serie o la ficha técnica del producto que se encuentra en la parte posterior del refrigerador. Para quitar los residuos de cinta o adhesivo, frote bien con sus dedos un poco de detergente líquido para vajillas encima del adhesivo. Limpie con agua tibia y seque. No utilice instrumentos filosos, alcohol para fricciones, líquidos inflamables o productos de limpieza abrasivos para quitar la cinta adhesiva o goma. Estos productos pueden dañar la superficie de su refrigerador. Para obtener más información, vea la sección "Instrucciones Importantes de Seguridad". Las parrillas vienen instaladas en su posición de fábrica acomódelas de acuerdo a sus necesidades de espacio.

Cómo mover su refrigerador:

Su refrigerador es muy pesado, cuando lo mueva para limpiarlo o darle servicio, proteja el piso. Al mover el refrigerador, siempre tire directamente hacia fuera. Cuando lo trate de mover, no lo menea de lado a lado ni lo haga "caminar" ya que podría dañar el piso.

⚠ ADVERTENCIA



PELIGRO DE EXPLOSIÓN



Mantenga los materiales y vapores inflamables (tales como gasolina) alejados del refrigerador. No seguir esta instrucción puede ocasionar la muerte, explosión o incendio.

INSTALACIÓN

1. Evite colocar la unidad cerca de fuentes de calor, rayos de sol directos o humedad.
2. Para evitar la vibración, la unidad debe estar nivelada. Si se requiere, ajuste los tornillos niveladores para compensar el desnivel del suelo. El frente debe de estar ligeramente más alto que la parte posterior para facilitar el cierre de las puertas. Los tornillos de nivelación pueden girar fácilmente levantando un poco el refrigerador de la parte frontal, gire los tornillos

en favor de las manecillas del reloj () para levantar la unidad o en contra de las manecillas () para bajarla.

3. Instale el refrigerador en un área que se encuentre entre 55°F (13°C) y 110°F (43°C). Si la temperatura se encuentra fuera de estos rangos, el enfriamiento del aparato puede afectarse.

⚠ **PRECAUCIÓN:** Evite colocar el refrigerador cerca de fuentes de energía, luz solar o humedad.

UNA VEZ INSTALADO

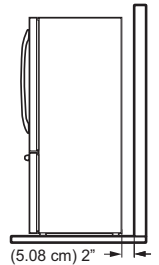
1. Limpie cuidadosamente su refrigerador y remueva el polvo acumulado durante el envío.
2. Instale los accesorios tales como el recipiente para hielos, cajones, parrillas, etc., en los lugares apropiados. Estos se encuentran empacados para prevenir daños durante el transporte.
3. Deje su refrigerador encendido de 2 a 3 horas antes de guardar alimentos. Verifique el flujo de aire frío en el compartimento del congelador para asegurarse de que la unidad enfría apropiadamente. Su refrigerador ahora está listo para usarse.

⚠ ADVERTENCIA:

- Tenga cuidado cuando trabaje con la bisagra, la cubierta de la base, los topes, etc., puede lastimarse.
- No ponga sus manos o herramientas en las salidas de aire, la cubierta de la base o en la parte de abajo del refrigerador, puede lastimarse o recibir un choque eléctrico.

A una distancia adecuada de elementos cercanos

Por favor, mantenga el refrigerador a una distancia prudente de otros objetos. Una distancia demasiado reducida entre la unidad y elementos cercanos puede ocasionar reducción de la capacidad de congelación y un aumento del consumo eléctrico.



Tipo de piso

Para evitar el ruido y la vibración, es necesario nivelar la unidad e instalarla en un suelo sólidamente construido. Si es necesario, ajuste las patas de nivelación para compensar los desniveles del suelo.

ADVERTENCIA: Mantener libres de obstrucción las aberturas de ventilación en el envoltorio del aparato o en la estructura de ensamble.

ADVERTENCIA: No utilizar dispositivos mecánicos u otros medios para acelerar el proceso de deshielo, diferentes a los que recomienda el fabricante.

ADVERTENCIA: No dañar el circuito de refrigeración.

ADVERTENCIA: No utilizar aparatos eléctricos dentro de los compartimentos de almacenamiento de comida del aparato, a menos que sean del tipo que recomienda el fabricante.

ADVERTENCIA: No almacene sustancias explosivas tales como latas de aerosol con un agente inflamable dentro de este aparato.

INSTALACIÓN DEL REFRIGERADOR

NOTA : Siempre se recomienda desmontar las puertas cuando sea necesario desplazar el refrigerador a través de un espacio estrecho. Si es necesario desmontar las manijas, siga las instrucciones que se indican a continuación.

HERRAMIENTAS QUE PUEDE NECESITAR O USAR



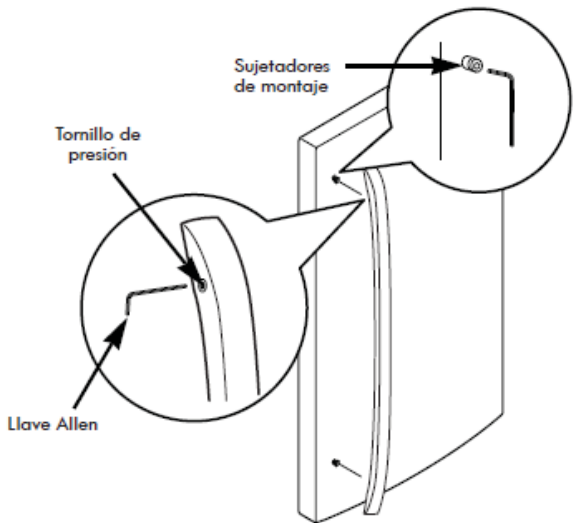
CÓMO DESMONTAR LA MANIJA DE LA PUERTA DEL REFRIGERADOR

NOTA: El aspecto de la manija puede ser distinto del que aparece en las ilustraciones de esta página.

Desmontaje de la manija del refrigerador

Afloje los tornillos de presión con una llave Allen de 2,5 mm (3/32") y retire la manija.

NOTA : Si es necesario apretar o retirar los sujetadores de montaje de la manija, use una llave Allen de 6 mm (1/4").



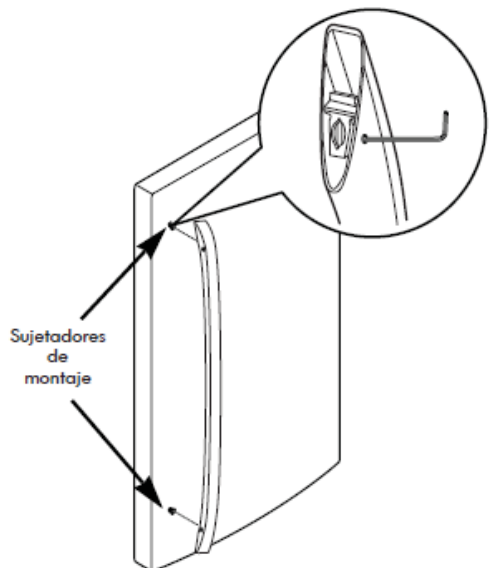
CÓMO SUSTITUIR LA MANIJA DE LA PUERTA DEL REFRIGERADOR

NOTA: El aspecto de la manija puede ser distinto del que aparece en las ilustraciones de esta página..

Sustitución de la manija de la puerta del refrigerador

Coloque la manija en la puerta ajustando las zonas de contacto de la manija coincidan sobre los sujetadores de montaje y apretando los tornillos de presión con una llave Allen de 2,5 mm (3/32").

NOTA: Si es necesario apretar o retirar los sujetadores de montaje de la manija, use una llave Allen de 6 mm (1/4").



INSTALACIÓN DEL REFRIGERADOR

NOTA: Siempre se recomienda desmontar las puertas cuando sea necesario desplazar el refrigerador a través de un espacio estrecho. Si es necesario desmontar las manijas, siga las instrucciones que se indican a continuación.

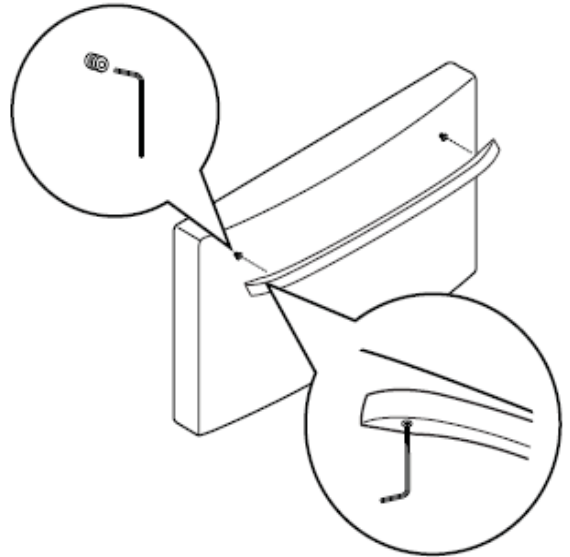
CÓMO DESMONTAR LA MANIJA DE LA PUERTA DEL CONGELADOR

NOTA: El aspecto de la manija puede ser distinto del que aparece en las ilustraciones de esta página.

Desmontaje de la manija del cajón del congelador

Afloje los tornillos de presión ubicados en la parte inferior de la manija con una llave Allen de 2,5 mm (3/32 ") y retire la manija.

NOTA: Si es necesario apretar o retirar los sujetadores de montaje de la manija, use una llave Allen de 6 mm (1/4").



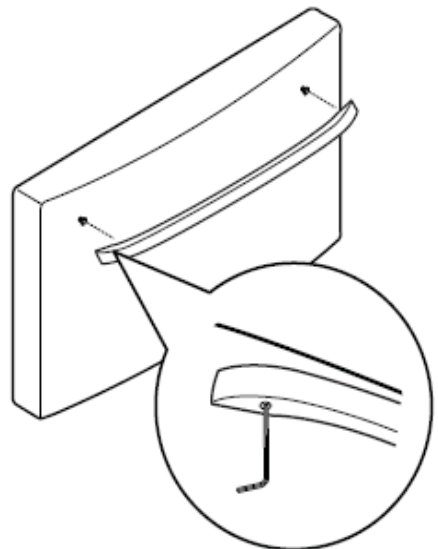
CÓMO SUSTITUIR LA MANIJA DE LA PUERTA DEL CONGELADOR

NOTA: El aspecto de la manija puede ser distinto del que aparece en las ilustraciones de esta página..

Sustitución de la manija del cajón del congelador

Coloque la manija en la puerta ajustando las zonas de contacto de la manija coincidan sobre los sujetadores de montaje y apretando los tornillos de presión con una llave Allen de 2,5 mm (3/32 ").

NOTA: Si es necesario apretar o retirar los sujetadores de montaje de la manija, use una llave Allen de 6 mm (1/4").



INSTALACIÓN DEL REFRIGERADOR

DESMONTAJE Y SUSTITUCIÓN DE LAS PUERTAS DEL REFRIGERADOR

⚠ ADVERTENCIA

Riesgo de peso excesivo:

Use la ayuda de dos o más personas para mover e instalar el refrigerador, no seguir estas instrucciones puede ocasionar lesiones en la espalda u otras partes del cuerpo.

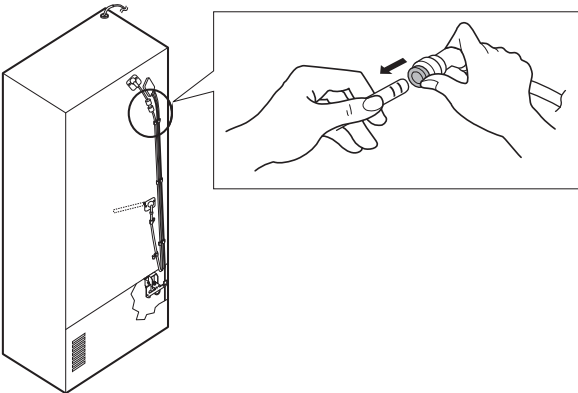
⚠ ADVERTENCIA

Riesgo de descargas eléctricas

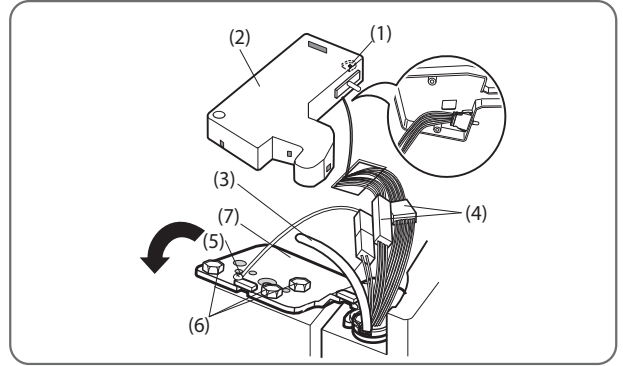
- Desenchufe el suministro eléctrico al refrigerador antes de realizar la instalación. Si no se respeta esta advertencia, pueden producirse lesiones graves e incluso la muerte..
- No ponga las manos, pies ni ningún otro objeto en las rejillas de ventilación de aire, la rejilla de la base o debajo del refrigerador. Podría sufrir lesiones o recibir una descarga eléctrica.

Para desmontar la puerta izquierda del refrigerador:

En la parte posterior del refrigerador, saque el tubo de agua del adaptador de la virola situada en el conector presionando el anillo de liberación del adaptador (vea la imagen inferior).



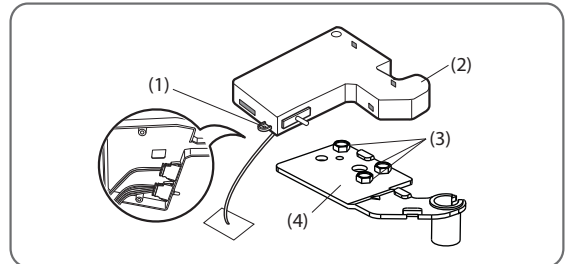
⚠ PRECAUCIÓN: Antes de comenzar, saque los alimentos y quite las bandejas de las puertas.



1. Abra la puerta. Retire el tornillo de la tapa de la bisagra superior (1).
2. Use un destornillador plano para hacer palanca y levantar los ganchos (no se ven en la imagen) situados en la parte inferior delantera de la tapa (2). Levante la tapa.
3. Retire la tapa. Saque el tubo (3).
4. Desconecte todos los mazos de cables (4).
5. Retire el tornillo de conexión a tierra (5).
6. Retire los tres pernos (6) con una llave de tubo de 10 mm. Levante hacia afuera la bisagra superior (7)

- ⚠ PRECAUCIÓN:** Cuando levante la bisagra, tenga cuidado de que la puerta no se caiga hacia delante.
7. Levante la puerta del pasador de la bisagra central y retire la puerta.
 8. Coloque la puerta, con el interior hacia arriba, sobre una superficie que no raye.

Para desmontar la puerta derecha del refrigerador:



1. Abra la puerta. Retire el tornillo de la tapa de la bisagra superior (1). Levante la tapa (2).
2. Retire la tapa.
3. Retire los tres pernos (3) con una llave de tubo de 10 mm. Levante hacia afuera la bisagra superior (4)

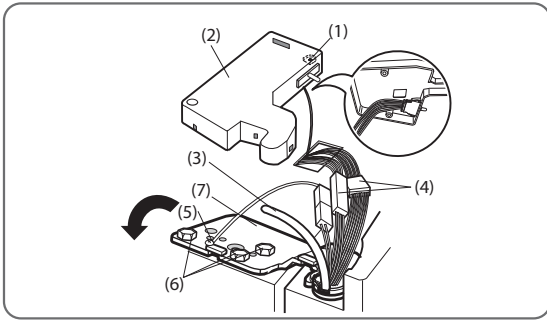
- ⚠ PRECAUCIÓN:** Cuando levante la bisagra, tenga cuidado de que la puerta no se caiga hacia delante.
4. Levante la puerta del pasador de la bisagra central y retire la puerta.
 5. Coloque la puerta, con el interior hacia arriba, sobre una superficie que no raye.

INSTALACIÓN DEL REFRIGERADOR

Reinstalación de la puerta del refrigerador

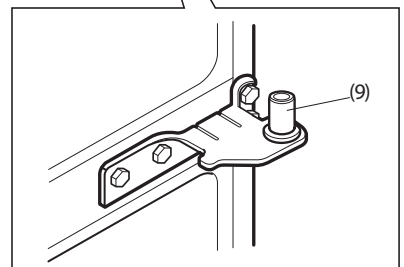
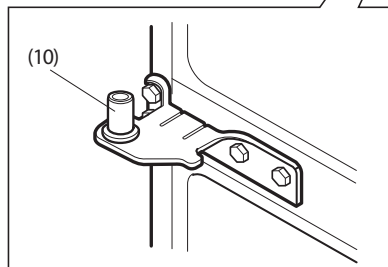
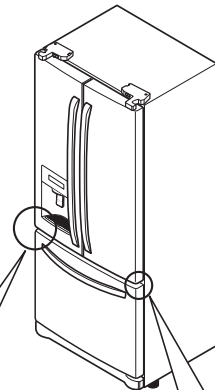
► Puerta izquierda

1. Baje la puerta hasta insertarla en el pasador de la bisagra central (10).
2. Alinee los agujeros de la bisagra superior con los agujeros de la parte superior del refrigerador. Inserte y ajuste tres pernos (6) en la bisagra.
3. Instale el tornillo de conexión a tierra (5) y conecte los dos mazos de cables (4).
4. Empuje el tubo de agua (3) situado en la parte superior de la puerta izquierda dentro del agujero situado junto a la bisagra izquierda de la parte superior del aparato hasta que salga por la parte trasera.
5. Inserte el tubo de suministro de agua (3) dentro del conector hasta que sólo se vea un trazo de escala. Inserte completamente el tubo sobre 15 mm (5/8").
6. Enganche las pestañas situadas en el lado izquierdo de la tapa de la bisagra (1) situada debajo del borde de la bisagra superior (7) y coloque la tapa en su sitio. Inserte y apriete el tornillo de la tapa (1).

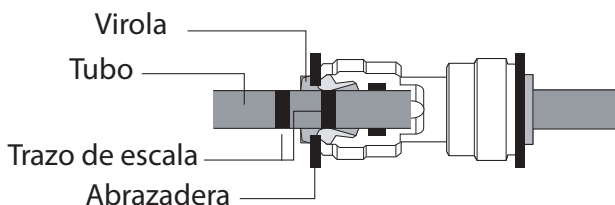


► Puerta derecha

1. Baje la puerta hasta insertarla en el pasador de la bisagra central (9).
2. Alinee los agujeros de la bisagra superior con los agujeros de la parte superior del refrigerador. Inserte y ajuste tres pernos (6) en la bisagra.
3. Enganche las pestañas situadas en el lado derecho de la tapa de la bisagra (2) situada debajo del borde de la bisagra superior (4) y coloque la tapa en su sitio. Inserte y apriete el tornillo de la tapa (1).



! PRECAUCIÓN



Después de insertarlo, tire del tubo para asegurarse de que está bien seguro y vuelva a insertar la abrazadera.

INSTALACIÓN DEL REFRIGERADOR

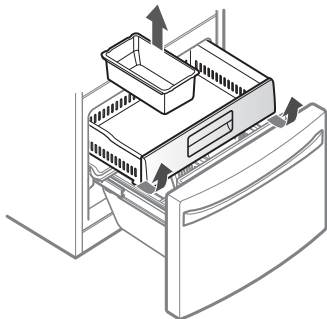
CÓMO DESMONTAR EL CAJÓN DEL CONGELADOR

⚠ ADVERTENCIA: El desplazamiento e instalación del cajón del congelador deben realizarse entre dos o más personas. Si no se respeta esta advertencia, se podrán producir lesiones en la espalda o de otro tipo.

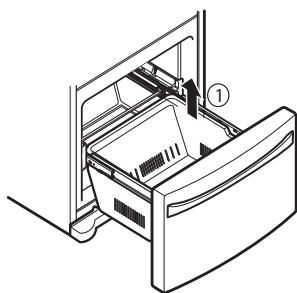
⚠ PRECAUCIÓN: No agarre la manija mientras desmonta ó vuelve a colocar el cajón. La manija podría salirse y provocar lesiones personales.

NOTA: En las figuras siguientes, no se muestra el cajón extraíble situado por encima del cajón del congelador para que la imagen sea más clara.

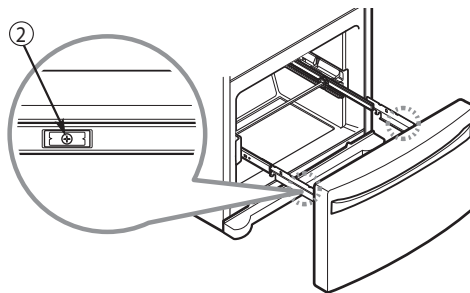
Para desmontarlo, saque el cajón todo lo posible. Levante el cajón y tire del mismo hacia afuera, asegurándose de dejar libre el sistema de riel.



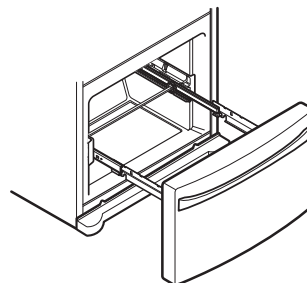
Abra el cajón todo lo posible. Retire la cesta inferior **①** levantándola del sistema de rieles.



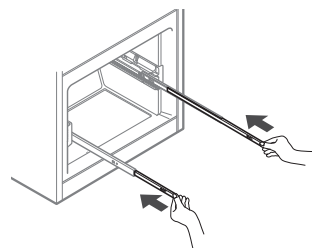
Retire el tornillo 2 del riel de ambos lados.



Sujete el cajón por cada lado y tire de él hacia arriba para separarlo de los rieles.



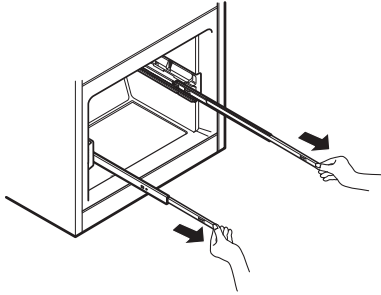
Con las dos manos, deslice ambas barras simultáneamente.



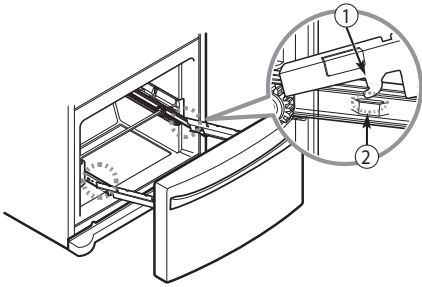
INSTALACIÓN DEL REFRIGERADOR

CÓMO INSTALAR EL CAJÓN DEL CONGELADOR

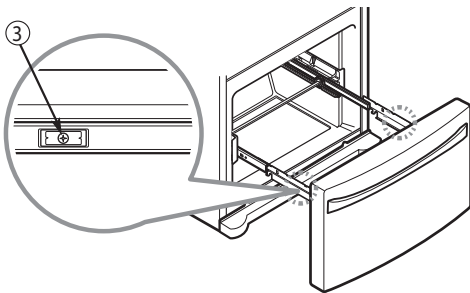
Saque cada riel hacia afuera todo lo posible.



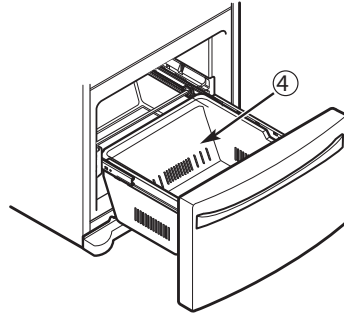
Sujete el cajón por cada lado y enganche los soportes de la puerta ① para introducirlos en las pestañas de los rieles ② que hay a ambos lados.



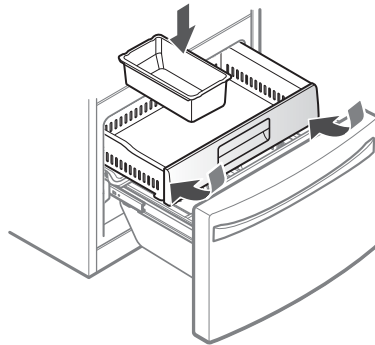
Baje la puerta hasta su posición final y apriete los tornillos ③ ubicados a ambos lados.



Con el cajón completamente sacado, inserte la cesta inferior ④ en la estructura de rieles.



Para volver a colocarlo, con el cajón completamente sacado, inserte el mismo en la estructura de rieles.



⚠ ADVERTENCIA: Si se retira el divisor Durabase, habrá suficiente espacio abierto para que un niño o una mascota puedan gatear hasta el interior. Para evitar el atrapamiento accidental de un niño o una mascota, y el posible riesgo de asfixia, NO permita que niños y mascotas toquen ni se acerquen al cajón del congelador.

⚠ ADVERTENCIA: NO pise ni se siente en el cajón del congelador.

INSTALACIÓN DEL REFRIGERADOR

NIVELACIÓN Y ALINEACIÓN DE LAS PUERTAS

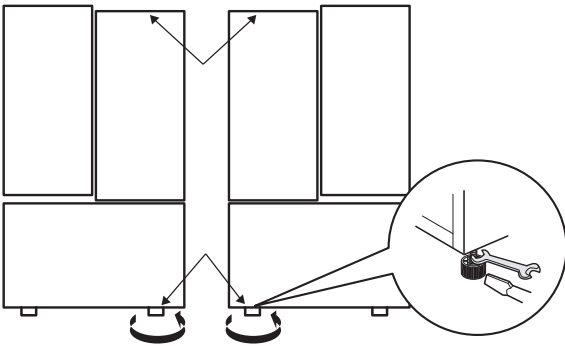
Nivelación

Tras la instalación, enchufe el cable de alimentación del refrigerador en una toma de corriente de 3 clavijas con conexión a tierra y empuje el refrigerador hasta su posición definitiva.

Su refrigerador tiene dos pies de nivelación delanteros: uno a la derecha y otro a la izquierda. Ajuste los pies para modificar la inclinación de delante hacia atrás o de lado a lado. Si el refrigerador parece inestable o si desea que las puertas se cierren más fácilmente, ajuste la inclinación del refrigerador mediante las siguientes instrucciones:

NOTA: Herramientas necesarias: Llave de 18 mm (11/16") o un destornillador plano.

1. Gire los pies de nivelación en sentido anti-horario para levantar esa parte del refrigerador o en sentido horario para bajarla. Puede que sean necesarios varios giros del pie de nivelación para ajustar la inclinación del refrigerador.



NOTA: Si una persona empuja hacia atrás la parte superior del refrigerador, descargará parte del peso de los pies de nivelación. Esta operación facilitará el ajuste de los pies.

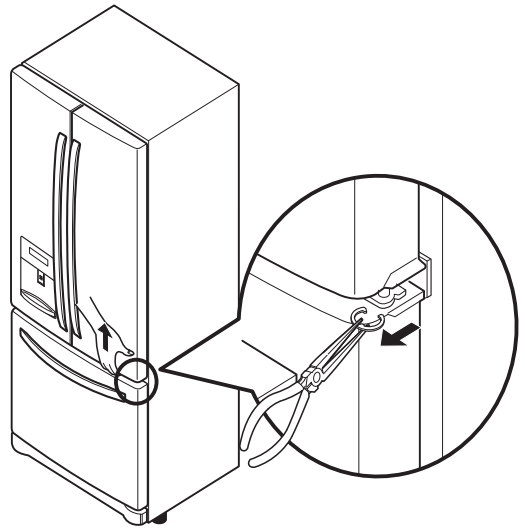
2. Vuelva a abrir ambas puertas y compruebe que se cierran con facilidad. Si no es así, incline el refrigerador ligeramente hacia atrás girando ambos pies de nivelación en sentido anti-horario. Puede que sean necesarios varios giros y debería girar ambos pies de nivelación el mismo número de giros.

NOTA: Su refrigerador tiene un diseño exclusivo con dos puertas para alimentos frescos. Cada una de las puertas se puede abrir o cerrar de forma independiente de la otra. Puede que deba ejercer una ligera presión en las puertas para cerrarlas completamente.

Alineación de la puerta

Si el espacio entre sus puertas no es regular, siga las instrucciones a continuación para alinear las puertas:

1. De una mano, levante la puerta que desee en la bisagra del medio.
2. Con la otra mano, use pinzas para insertar el anillo de retención, como se muestra.
3. Inserte otros anillos de retención hasta que las puertas sean alineadas. (Tres anillos de seguridad son provistos con la heladera en el paquete Uso y Cuidado.)



USO DEL REFRIGERADOR

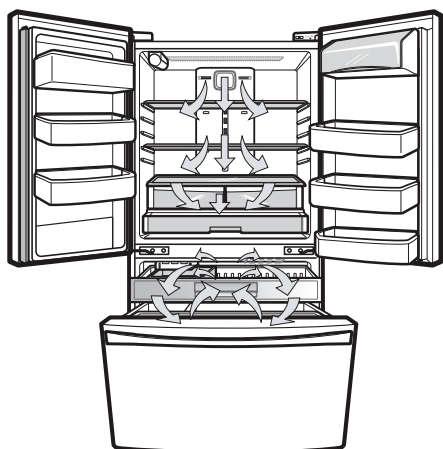
AJUSTE DE LOS CONTROLES

FLUJO DE AIRE

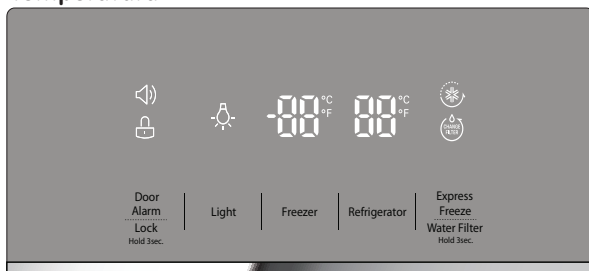
El control del refrigerador funciona como termostato para todo el electrodoméstico (secciones refrigerador y congelador). Cuando más frío sea el ajuste, más tiempo funcionará el compresor para mantener la temperatura más fría.

El control del congelador ajusta el flujo de aire frío desde el congelador hacia el refrigerador. Si se ajusta el control del congelador a una temperatura más reducida, se mantendrá más aire frío en el compartimiento del congelador para que éste esté más frío. El aire frío circula desde el congelador hacia la sección de alimentos frescos y vuelta atrás de nuevo a través de los conductos de ventilación del aire que hay en la pared que divide las dos secciones. Asegúrese de no bloquear los conductos de ventilación al cargar su refrigerador.

De lo contrario, restringirá el flujo de aire y puede que la temperatura del refrigerador suba demasiado o que se acumule humedad en su interior. (Consulte el siguiente diagrama de flujo de aire).



Temperatura



•El rango del control de temperatura del refrigerador de **0 °C a 8 °C (33°F a 46°F)**. Pulse el botón de **Refrigerator** para alternar entre los ajustes de temperatura disponibles con incrementos de un grado en cada pulsación.

•El rango del control de temperatura del congelador es de **-21 °C a -13 °C (-6 °F a 8 °F)**. Pulse el botón de **Freezer** para alternar entre los ajustes de temperatura disponibles con incrementos de un grado en cada pulsación.

NOTA: Cada vez que cambie los ajustes de los controles, debe esperar 24 horas antes de realizar ajustes adicionales. Los controles están correctamente ajustados cuando la leche o el zumo están a la temperatura fría de su gusto y el helado está firme. Si la temperatura es demasiado fría o demasiado caliente en alguno de los compartimientos, cambie el ajuste en incrementos de un grado cada vez. Espere 24 horas a que se establezca la temperatura antes de volver a ajustarla.

Dispensador

Es posible que tras la dispensación se produzca un goteo. Mantenga el vaso bajo el dispensador durante unos segundos tras la dispensación para recoger todas las gotas.

NOTA: El dispensador no funcionará si se deja una puerta abierta o si el cierre de control está activado.

Express Freeze (Congelado Rápido)

•Cuando se toca el botón **Express Freeze**, el símbolo se iluminará en la pantalla y continuará encendido durante 24 horas. De forma automática, se apagará cuando transcurran 24 horas.

•Para detener esta función manualmente, vuelva a tocar el botón otra vez.

•Esta función aumenta tanto las capacidades de congelación como las de fabricación de hielo.

Filtro de agua

Cuando se enciende el indicador del filtro de agua, indica que es necesario cambiar el filtro de agua. Una vez cambiado el filtro de agua, mantenga pulsado el botón **Express freeze / Water Filter** durante tres segundos para apagar la luz del indicador. El filtro de agua se debe cambiar aproximadamente cada seis meses.

NOTA: Después de reemplazar el filtro de agua, dispense 9 litros (2,5 galones) de agua (deje correr el agua durante unos 5 minutos) para purgar el atrapado y los contaminantes del sistema. No dispense los 9 litros (2,5 galones) de agua de manera continua. Pulse y suelte el botón del dispensador en ciclos de 30 segundos ON y 60 segundos OFF.

Light (Luz)

Light para encender y apagar la luz.

Pulse el botón

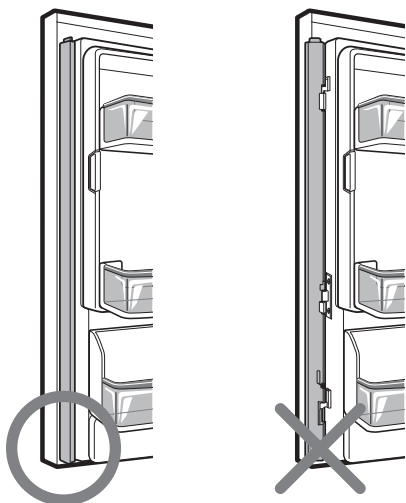
Cuando se usa el agua, una luz debajo del interruptor del agua se iluminará.

USO DEL REFRIGERADOR

Parteluz articulado

Esta característica es una tira de metal situada en la puerta izquierda que se articula (gira) 90 grados al cerrarse la puerta y forma un parteluz (base) para que se sellen los sellos de las puertas izquierda y derecha.

Precaución al cerrar la puerta



⚠ PRECAUCIÓN

Para reducir el riesgo de rayar la puerta o romper el parteluz, asegúrese de que el parteluz de la puerta del refrigerador esté siempre plegado.

Alarma de la puerta

• Cuando se conecta el refrigerador a la corriente, la alarma de la puerta está inicialmente activada. Si pulsa el botón **Door Alarm**, la pantalla cambiará a OFF y la función de alarma de la puerta se desactivará.

• Si la puerta del refrigerador o del congelador se deja abierta durante más de 60 segundos, sonará el tono de la alarma para avisarle de que la puerta está abierta.

• Cuando se cierre la puerta, la alarma de la puerta dejará de sonar.

Lock (Bloqueo)

• Cuando se conecta inicialmente el refrigerador a la corriente, la función de bloqueo (Lock) está desactivada.

• Si desea activar la función Lock para bloquear los demás botones, mantenga pulsado el botón **Door Alarm** durante tres segundos como mínimo. Aparecerá el ícono Control Lock y se activará la función Lock.

• Cuando se activa la función Lock, no funciona ningún otro botón. Los botones del dispensador también se desactivan.

• Para desactivar la función Lock, mantenga presionado el botón **Door Alarm** durante aproximadamente tres segundos.

Modo exposición (sólo para uso en tienda).

El modo exposición desactiva toda la refrigeración en las secciones refrigerador y congelador para ahorrar energía mientras está en exposición en una tienda. Cuando se activa, en el panel de control aparece la palabra OFF



Para desactivar:

Con la puerta del refrigerador abierta, mantenga presionados los botones **Refrigerador** y **Express Freeze** al mismo tiempo durante cinco segundos. El panel de control parpadeará y aparecerán los ajustes de temperatura para confirmar que se ha desactivado el modo de exposición. Use el mismo procedimiento para activar el modo de exposición.

USO DEL REFRIGERADOR

MÁQUINA DE HIELO AUTOMÁTICA

La máquina de hielo puede producir aproximadamente 70 a 210 cubitos en un período de 24 horas, dependiendo de la temperatura del compartimiento del congelador, de la temperatura ambiente, de las veces que se abren las puertas y de otras condiciones de funcionamiento.

- Un refrigerador recién instalado tardará entre 12 y 24 horas en empezar a producir hielo. Espere 72 horas para que comience la producción de hielo.
- La producción de hielo se detiene cuando se llena el depósito de hielo. En ese caso, el depósito de hielo contiene aproximadamente de 6 a 8 vasos (12-16 oz.) de hielo.
- Para apagar la máquina de hielo automática, ponga el interruptor de la máquina en posición **OFF (O)**. Para encender la máquina de hielo automática, ponga el interruptor en posición **ON (I)**.
- La presión del agua debe estar entre los 20 y los 120 psi (0,14 ~ 0,82 MPa) en modelos sin filtro de agua, y entre los 40 y 120 psi (0,28 ~ 0,82 MPa) en modelos con filtro de agua para producir cubitos de hielo en la cantidad y tamaño normales.
- La presencia de sustancias extrañas o de escarcha en el sensor de detección de hielo pueden interrumpir la producción de hielo. Asegúrese de que el área del sensor esté siempre limpia para que el funcionamiento sea correcto.

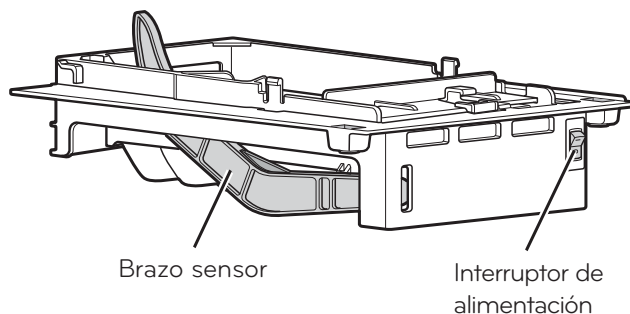
⚠ PRECAUCIÓN

- La primera tanda de hielo y agua dispensada podría incluir partículas y olor procedente de la tubería de suministro de agua o del depósito de agua. Deseche las primeras tandas de hielo (aproximadamente 24 cubitos). Esto también es necesario si el refrigerador no se usa durante un largo período de tiempo.
- Si el hielo producido está descolorado, compruebe el filtro y el suministro de agua. Si el problema persiste, póngase en contacto con un técnico calificado. No consuma el hielo ni el agua hasta que se resuelva el problema.
- Asegúrese de que nada interfiera con el movimiento del brazo de apagado automático.
- Cuando el depósito se llena hasta el nivel del brazo de apagado automático, la máquina de hielo dejará de producir hielo.
- Es normal que algunos cubitos de hielo se atasquen.
- Si el hielo no se usa con frecuencia, los cubitos de hielo viejos se nublarán, desarrollarán mal olor y se encogerán.
- Nunca almacene latas de bebidas u otros artículos en el depósito de hielo con el propósito de que se enfríen rápidamente. Si lo hace, podría dañar la máquina de hielo o los contenedores podrían estallar.
- Nunca use vasos de cristal fino o recipientes de loza para recoger hielo. Ese tipo de contenedores podrían descascarillarse o romperse, y podrían caer fragmentos de cristal al hielo.

⚠ ADVERTENCIA

PELIGRO DE DAÑOS PERSONALES

NO introduzca los dedos o las manos en el mecanismo de producción automática de hielo con el refrigerador enchufado.



CUÁNDO SE DEBE AJUSTAR LA MÁQUINA DE HIELO INTERRUPTOR DE ALIMENTACIÓN EN POSICIÓN OFF (O)

- Cuando el suministro de agua vaya a estar interrumpido durante varias horas.
- Cuando se retire el depósito de hielo durante más de uno o dos minutos.
- Cuando no se vaya a usar el refrigerador durante varios días.

NOTA: Se debe vaciar el depósito de hielo cuando el interruptor de ON/OFF (encendido/apagado) de la máquina de hielo cambie a la posición OFF.

SONIDOS NORMALES QUE SE PUEDEN ESCUCHAR

- La válvula de agua de la máquina de hielo emite un zumbido cuando la máquina se llena de agua. Si el interruptor de alimentación está en posición **ON (I)**, emitirá un zumbido incluso aunque aún no se haya conectado al agua. Para detener el zumbido, mueva el interruptor de alimentación a la posición **OFF (O)**.
NOTA: Mantener el interruptor de alimentación en posición **ON (I)** antes de conectar la tubería de agua podría dañar la máquina de hielo.
- Oirá el sonido de los cubitos de hielo al caer en el depósito y el agua corriendo por las tuberías cuando se rellena la máquina de hielo.

PREPARACIÓN PARA LAS VACACIONES

Ponga el interruptor de la máquina de hielo en posición **OFF (O)** y corte el suministro de agua al refrigerador.

NOTA: Se debe vaciar el depósito de hielo siempre que el interruptor de ENCENDIDO/APAGADO de la máquina de hielo cambie a la posición **OFF (O)**.

Si la temperatura ambiente cae por debajo del punto de congelación, póngase en contacto con un técnico calificado para que purgue el sistema de suministro de agua para evitar graves daños materiales debidos a las inundaciones provocadas por la rotura de las tuberías o conexiones de agua.

USO DEL REFRIGERADOR

GUÍA PARA EL ALMACENAMIENTO DE ALIMENTOS

Envuelva o almacene los alimentos en el refrigerador dentro de materiales herméticos y antihumedad, a menos que se indique lo contrario. Esto evitará que el olor y sabor de los alimentos se transfiera por todo el refrigerador. Para productos con fecha de caducidad, compruebe el código de fecha para garantizar la frescura.

Elementos	Cómo
Mantequilla o margarina	▶ Conserve la mantequilla abierta en un plato cubierto o en un compartimiento cerrado. Cuando se almacena una cantidad extra, envuélvala en una bolsa para congelar y congélela.
Queso	▶ Almacene en el envoltorio original hasta que esté listo para consumirlo. Una vez abierto, vuelva a envolverlo herméticamente en un envoltorio plástico o en papel de aluminio.
Leche	▶ Limpie los cartones de leche. Para un mejor almacenamiento, coloque la leche en los estantes interiores y no en los estantes de la puerta.
Huevos	▶ Almacénelos en el cartón original en un estante interior, no en un estante de la puerta.
Fruta	▶ No lave ni pele la fruta hasta que ésta vaya a ser utilizada. Organice la fruta y consérvela en su contenedor original, en un cajón, o bien almacénela en una bolsa de papel completamente cerrada sobre un estante del refrigerador.
Verdura con hoja	▶ Retire el envoltorio comercial y corte o arranque las zonas magulladas o decoloradas. Lave en agua fría y deje escurrir. Colóquelos en una bolsa o contenedor plástico y guárdelos en el cajón de vegetales del refrigerador

Colóquela en una bolsa o un contenedor de plástico, y almacénela en el cajón para verduras.

Vegetales con piel (zanahorias, pimientos)

- ▶ Colóquelos en una bolsa o un contenedor de plástico, y almacénelos en el cajón para verduras.

Pescado

- ▶ Almacene el pescado y los mariscos frescos en el congelador si no van a ser consumidos el mismo día en que se los adquirió. Se recomienda consumir pescados y mariscos frescos el mismo día de haberlos adquirido.

Sobras

- ▶ Cubra las sobras con un envoltorio plástico, papel de aluminio o dentro de contenedores de plástico con tapas herméticas.

USO DEL REFRIGERADOR

ALMACENAMIENTO DE ALIMENTOS CONGELADOS

NOTA: Consulte una guía de congelación o un libro de cocina fiable para obtener más información sobre la forma de preparar los alimentos para su congelación o sobre los tiempos de almacenamiento de los alimentos congelados.

Congelación

El congelador no congelará rápidamente una gran cantidad de alimentos. No coloque más alimentos sin congelar en el congelador que los que se congelarán en 24 horas, no más de 1 o 1,5 kg de alimento por cada 30 litros (2 a 3 libras) por cada pie cúbico de espacio en el congelador. Deje suficiente espacio en el congelador para que el aire pueda circular entre los paquetes. Tenga cuidado de dejar suficiente espacio en la parte delantera para que se pueda cerrar la puerta herméticamente.

Los tiempos de almacenamiento variarán en función de la calidad y el tipo de alimento, el tipo de envase o envoltorio utilizado (si son herméticos y antihumedad) y la temperatura de almacenamiento. La aparición de cristales de hielo dentro de un paquete sellado es normal. Esto sólo significa que la humedad del alimento y del aire del interior del paquete se ha condensado, creando cristales de hielo.

NOTA: Deje que los alimentos calientes se enfríen a temperatura ambiente durante 30 minutos y, a continuación, empaquételos y congélelos. Enfriar alimentos calientes antes de congelarlos ahorra energía.

Empaquetamiento

Una congelación correcta depende de un empaquetamiento adecuado. Cuando se cierra y sella el paquete, no debe dejar que entre ni salga aire ni humedad. Si eso sucede, es posible que el olor y el sabor de los alimentos se transfieran por todo el refrigerador y también se podrían resecar los alimentos congelados.

Recomendaciones de empaquetamiento:

- Contenedores de plástico rígido con tapas herméticas
- Tarros de congelación / enlatado con lados rectos
- Papel de aluminio grueso
- Papel con revestimiento plástico
- Envoltorios plásticos no permeables
- Bolsas de plástico con autosellado y calidad específica apta para congelador

Siga las instrucciones del contenedor o paquete para unos métodos de congelación adecuados.

No usar

- Envoltorios de pan
- Contenedores de plástico que no sean de polietileno
- Contenedores sin tapas herméticas
- Papel de cera o envoltorio para congelador revestidos de cera
- Envoltorio fino y semipermeable

⚠ PRECAUCIÓN: No almacene latas de bebidas o contenedores de comida de plástico en el compartimiento del congelador. Podrían romperse o estallar al congelarse.

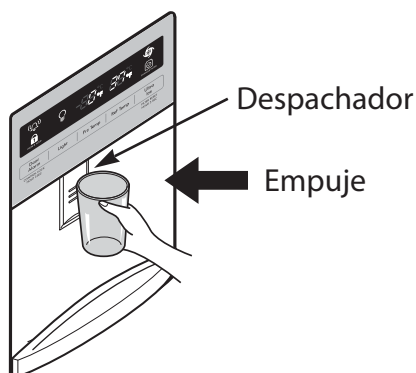
⚠ ADVERTENCIA: NO GUARDAR APARATOS ELÉCTRICOS, No use aparatos eléctricos en el interior del compartimiento para almacenar comida, al menos que éstos sean del tipo recomendado por el fabricante.

USO DEL REFRIGERADOR

SECCIÓN REFRIGERADOR

DISPENSADOR DE AGUA

Para dispensar agua fría, empuje el interruptor del dispensador con un vaso.

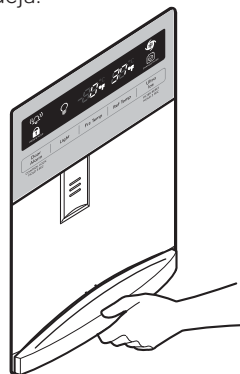


Es posible que tras la dispensación se produzca un goteo. Mantenga el vaso bajo el dispensador durante unos segundos tras la dispensación para recoger todas las gotas.

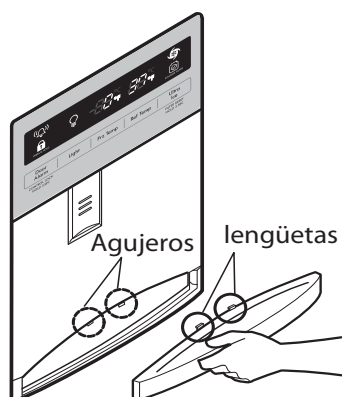
BANDEJA DE AGUA

Presione hacia abajo en una de las esquinas delanteras para desmontar la bandeja.

Nota: No hay ningún sistema de drenaje por debajo de la bandeja. Puede que tenga que vaciar líquidos que recoge la bandeja.



Para volver a colocar la, incline un poco la parte delantera de la bandeja hacia lo alto y coloque las lengüetas en los agujeros.



USO DEL REFRIGERADOR

ESTANTES DEL REFRIGERADOR

Los estantes del refrigerador son ajustables para satisfacer sus necesidades personales de almacenamiento. Dependiendo del modelo, los estantes pueden ser de vidrio o de rejilla metálica.

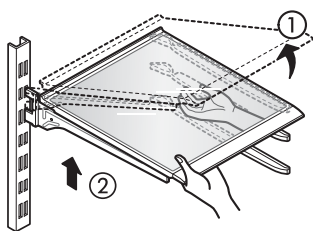
Organizar los estantes para que se ajusten a las diferentes alturas de los artículos hará que le resulte más fácil encontrar lo que busca. Con ello también reducirá el tiempo que permanece la puerta del refrigerador abierta y ahorrará energía.

IMPORTANTE: No limpie los estantes de vidrio con agua templada mientras aún están fríos. Los estantes podrían romperse si se ven expuestos a cambios repentinos de temperatura o a impactos.

NOTA: Los estantes de vidrio son pesados. Tenga especial cuidado al momento de retirarlos.

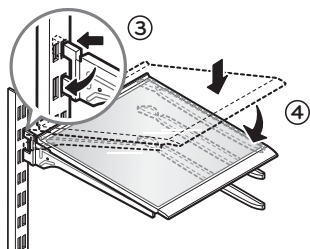
Organización de los estantes (estante de rejilla metálica)

Retire los estantes de la posición de transporte y vuelva a colocar los estantes en la posición que desee.



Para retirar un estante: incline la parte delantera del estante ① y levántelo ②. Saque el estante.

Para volver a colocar un estante: Incline la parte delantera del estante hacia arriba y guíe los ganchos del estante al interior de las ranuras a la altura deseada ③. Luego, baje la parte delantera del estante de manera que los ganchos caigan en las ranuras ④.



⚠ PRECAUCIÓN:

- Asegúrese de que los estantes tienen ambos lados nivelados.
 - Asegúrese de que el tope del estante esté completamente insertado entre las vigas de la pared del refrigerador.
 - Asegúrese de colocar los ganchos en la posición correcta. (el estante izquierdo en el agujero izquierdo, el estante derecho en el agujero derecho).
- De lo contrario, podría caerse el estante o derramarse los alimentos.

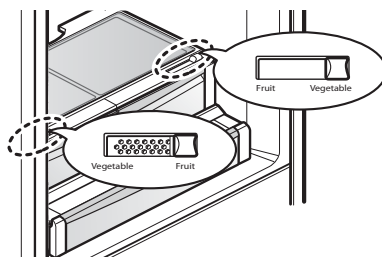
CAJÓN CON CONTROL DE HUMEDAD

Los cajones para verduras mantienen el sabor y la frescura de la fruta y la verdura al permitir controlar fácilmente la humedad dentro del cajón.

Para controlar la cantidad de humedad en los cajones para verduras con sellado antihumedad, ajuste el control en cualquier posición entre **VEGETABLE (verduras)** y **FRUIT (frutas)**.

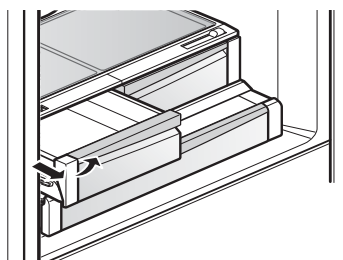
• La posición **VEGETABLE** mantiene un aire húmedo en el cajón para un mejor almacenamiento de las verduras frescas y de hoja.

• La posición **FRUIT** mantiene el aire húmedo fuera del cajón para un mejor almacenamiento de la fruta.



DESMONTAJE DEL CAJÓN CON CONTROL DE HUMEDAD

1. Para desmontarlo, saque el cajón todo lo posible.
2. Levante la parte delantera del cajón y tire de él hacia fuera.
3. Para volver a colocarlo, incline la parte delantera ligeramente hacia arriba, inserte el cajón en el marco y empuje hasta que encaje en su sitio.

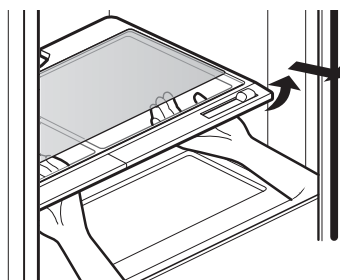


Para quitar el vidrio

1. Levante el vidrio situado bajo la tapa del cajón para verduras.

2. Tire del vidrio hacia arriba y hacia fuera.

NOTA: Para mayor claridad, no se muestra el cajón.

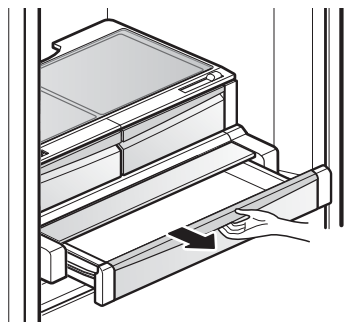


USO DEL REFRIGERADOR

CAJÓN CON CONTROL DE TEMPERATURA

Este cajón se puede usar para grandes bandejas de fi - esta, productos de delicatessen y bebidas. (No utilice este cajón para verduras o productos que requieran un alto nivel de humedad).

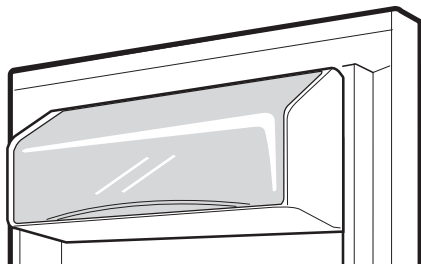
Tire hacia afuera para abrir el cajón. Levántelo suavemente y tire hacia afuera para extraerlo.



BANDEJA PARA LÁCTEOS

1. Para desmontar la bandeja para lácteos, simplemente levántela hacia arriba y tire de ella hacia fuera.

2. Para volver a colocar la bandeja para lácteos, deslícela en su sitio y empuje hasta que se detenga.



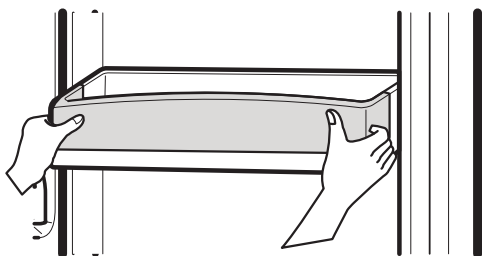
BANDEJAS DE PUERTA

Las bandejas de puerta son extraíbles para facilitar su limpieza y ajuste.

1. Para desmontar la bandeja, simplemente levántela hacia arriba y tire de ella hacia fuera.

2. Para volver a colocar la bandeja, deslícela por encima del soporte deseado y empuje hacia abajo hasta que encaje en su sitio.

NOTA: Algunas bandejas tienen una apariencia diferente y sólo encajarán en una ubicación.



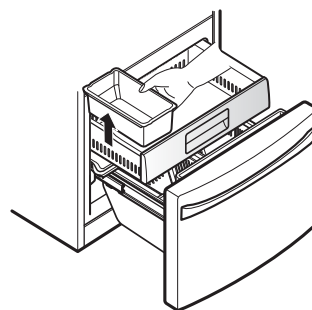
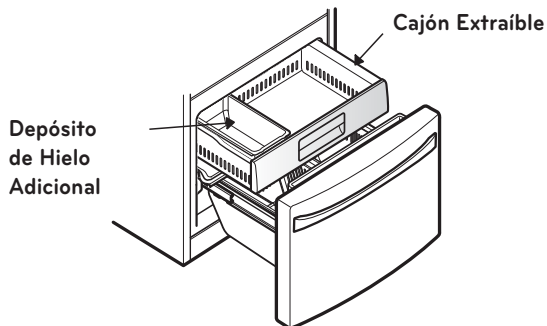
SECCIÓN DEL CONGELADOR

DEPÓSITO DE HIELO

1. Tire del cajón del congelador y del cajón extraíble hacia afuera lo máximo posible para retirar el depósito de hielo adicional.

2. Con cuidado levante y saque el depósito de hielo.

3. Para volver a colocarlo, tire de los dos cajones hacia afuera lo máximo posible y ponga el depósito en su posición correcta en el cajón extraíble. Cierre el cajón extraíble y, después, el cajón del congelador.



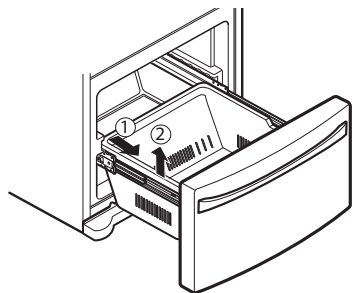
⚠ PRECAUCIÓN: Peligro de pinzamiento. Mantenga las manos y pies lejos de la parte inferior del cajón del congelador al abrir y al cerrar.

USO DEL REFRIGERADOR

EXTRACCIÓN Y COLOCACIÓN DEL DURABASE

1. Para desmontar el Durabase, abra el cajón en su totalidad ①. Empuje el Durabase hacia el fondo todo lo posible, incline la parte delantera del Durabase hacia arriba, y luego levántelo y sáquelo hacia afuera ②.

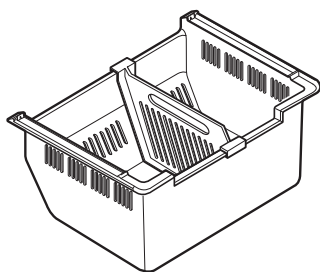
2. Para volver a colocarlo, incline la parte trasera del Durabase hacia el cajón, luego bájela e insértela en el ensamblaje del riel.



NOTA: Coloque el Durabase antes de colocar el cajón extraíble. El cajón extraíble necesita separación para que sus rodillos puedan apoyar correctamente. Si las piezas son ensambladas de manera incorrecta, el congelador podría no cerrar.

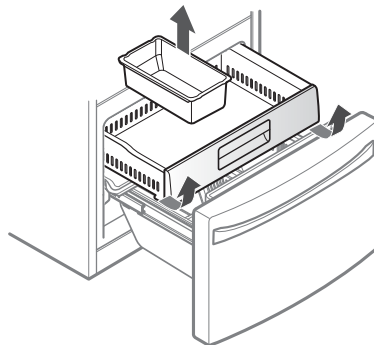
DIVISOR DURABASE

El divisor Durabase le permite organizar el área Durabase en secciones. Se puede ajustar de lado a lado para alojar artículos de diferentes tamaños.

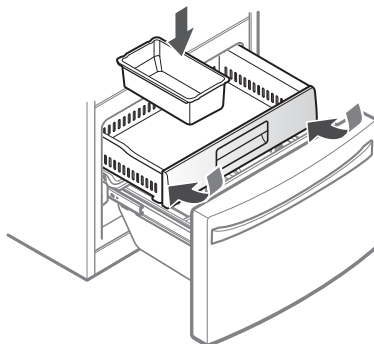


CAJÓN EXTRAÍBLE

1. Para desmontarlo, saque el cajón todo lo posible. Levante el cajón y tire del mismo hacia afuera, asegurándose de dejar libre el sistema de riel.



2. Para volver a colocarlo, con el cajón completamente sacado, inserte el mismo en la estructura de rieles.



⚠ ADVERTENCIA: Si se retira el divisor Durabase, habrá suficiente espacio abierto para que un niño o una mascota puedan gatear hasta el interior. Para evitar el atrapamiento accidental de un niño o una mascota y el posible riesgo de asfixia, NO permita que niños y mascotas toquen ni se acerquen al cajón.

FILTRO DE AGUA

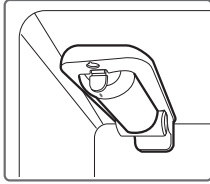
FILTRO DE AGUA

CÓMO CAMBIAR EL FILTRO DE AGUA (ADQ36006101)

*NOTA: El número del cartucho depende del modelo.

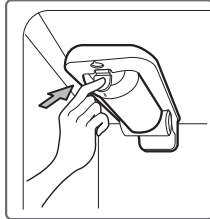
Se recomienda reemplazar el filtro de agua:

- Aproximadamente cada 6 meses.
- Cuando el indicador del filtro del agua se encienda.
- Cuando disminuya el caudal del dispensador de agua.
- Cuando los cubitos de hielo sean más pequeños de lo normal.

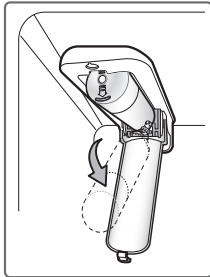


1. Quite el antiguo filtro de agua.

- Baje o desmonte el estante superior izquierdo para permitir que el filtro de agua pueda girar hacia abajo totalmente.
- Pulse el botón de presión para abrir la tapa del filtro de agua.



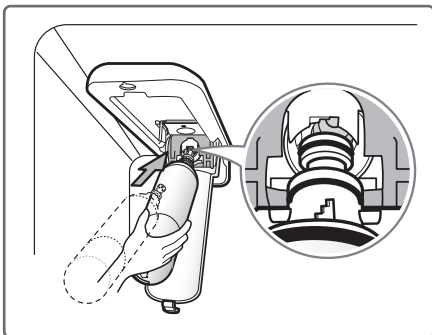
NOTA: Al reemplazar el filtro de agua se drena una pequeña cantidad de agua (25 cc ó 1 oz). Coloque un vaso debajo de la parte delantera de la tapa del filtro de agua para recoger el agua que se escape. Sostenga el filtro de agua en posición vertical, una vez retirado, para evitar que el agua residual se salga del filtro de agua.



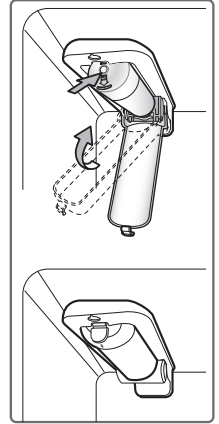
- Tire del filtro de agua hacia abajo y sáquelo.

2. Reemplácelo con un filtro de agua nuevo.

•Saque el nuevo filtro de agua de su envoltorio y retire la tapa protectora de las juntas tóricas. Con las pestañas del filtro de agua en posición horizontal, empuje el nuevo filtro de agua en el orificio del colector hasta que haga tope.



•Gire el filtro de agua hacia arriba hasta colocarlo en su sitio y cierre la tapa. La tapa hará "clic" cuando se cierre correctamente.



3. Después de reemplazar el filtro de agua, dispense 9 litros ó 2.5 galones de agua (deje correr el agua durante unos 5 minutos) para purgar el aire atrapado y los contaminantes del sistema; no dispense los 9 litros ó 2.5 galones de agua de manera continua. Pulse y suelte el botón del dispensador en ciclos de 30 segundos ON y 60 segundos OFF.

4. Tapón de derivación del filtro de agua

Conserve el tapón de derivación del filtro de agua. DEBE usar el tapón de derivación del filtro cuando no disponga de un cartucho de filtro de agua de repuesto.



⚠ PRECAUCIÓN: NO ponga en marcha el frigorífico sin tener un filtro de agua o un tapón de derivación del filtro de agua instalado.

NOTA: Para comprar nuevos cartuchos de filtro de agua, visite a su distribuidor local de artefactos o piezas.

También puede visitar llame al **USA 1-800-243-0000** **CANADA 1-888-542-2623** (24 horas al día/7 días por semana). El número de repuesto del cartucho de filtro de aguaes **ADQ36006101**.

CUIDADO DE SU REFRIGERADOR

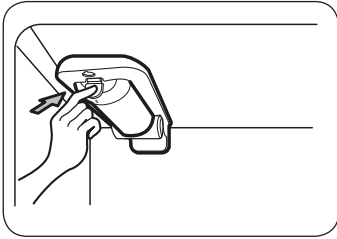
Tipo 2

CÓMO CAMBIAR EL FILTRO DE AGUA (ADQ74793501)

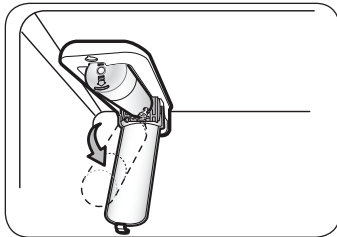
***NOTA:** El número del cartucho depende del modelo.

Es recomendable que cambie el filtro cada 6 meses cuando el indicador del filtro alcance los 0 meses o cuando el dispensador de agua y de hielo reduzca sustancialmente el rendimiento.

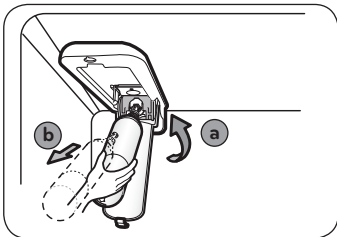
Extracción del cartucho usado.



1. Presione el botón para abrir la cubierta del filtro.
NOTA: Cuando se cambia el filtro, se pierde una pequeña cantidad de agua (alrededor de 1 oz o 25 cc). Coloque una taza bajo el orificio del filtro para recoger los residuos.

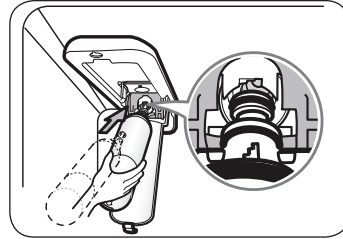


2. Jale el cartucho hacia abajo.

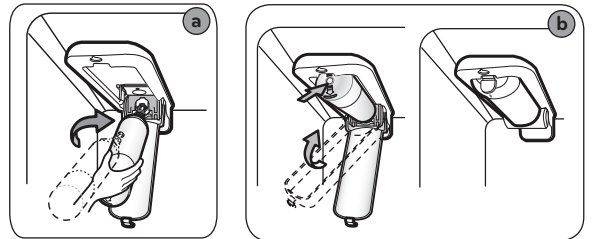


3. Gíre el cartucho en sentido antihorario (a) y tire del cartucho para extraerlo (b). Asegúrese de girar hacia abajo el filtro completamente antes de empujarlo hacia afuera del orificio del colector.

Reemplace con un cartucho nuevo.



1. Extraiga el nuevo cartucho del embalaje y retire la cubierta de protección de la junta tórica. Con las aletas del cartucho en posición horizontal, empuje el nuevo cartucho en el orificio del distribuidor hasta que se detenga.



2. Gire el filtro de agua en el sentido de las manecillas del reloj (a) hasta colocarlo en su sitio y cierre la tapa (b). La tapa hará "clic" cuando se cierre correctamente.

NOTA: Después de sustituir el filtro, deje que circulen por el filtro unos 9,5 litros antes de su uso (unos 5 minutos de circulación). Revise posibles fugas que pueda haber en el filtro. Pulse y suelte el botón del dispensador en ciclos de 30 segundos ON y 60 segundos OFF.

Para comprar nuevos cartuchos de filtro de agua, visite a su distribuidor local de artefactos o piezas, también puede referirse a la hoja de garantía para obtener el número telefónico del centro de servicio más cercano.

También puede llamar a: USA **1-800-243-0000**
CANADA **1-888-542-2623** (24 horas al día/7 días por semana).

El número de repuesto del cartucho de filtro de agua es **ADQ74793501**.

CUIDADO DE SU REFRIGERADOR

Hoja de datos de rendimiento

Reemplazo de cartucho TIPO 1: ADQ36006101

La concentración de las sustancias indicadas en el agua que entra en el sistema se redujo a una concentración menor o igual al límite permisible para el agua de salida según las especificaciones de los estándares NSF/ANSI 42 y 53.



Sistema probado y certificado por NSF International según los estándares NSF/ANSI 42 y 53 para la reducción de las sustancias siguientes.

Reducción de contaminantes	Influyente medio	Concentración objetivo especificada por NSF	% de reducción media	Concentración media de producto en agua	Concentración máxima permisible de producto en agua	Requisitos de reducción NSF	Informe de prueba de NSF
Olor y sabor de cloro	2.1 mg/L	2.0 mg/L ± 10%	97.2%	0.06 mg/L	N/A	≥ 50%	J-00049247
Partículas nominales clase I, ≥0,5 a < 1,0 µm	5,600,000 pts/mL	Al menos 10,000 partículas/mL	98.7%	73,000 pts/ml	N/A	≥85%	J-00049282
Asbestos	190 MFL	107 a 108 MFL; fibras mas grandes que 10 µm in	>99%	< 1MLF	N/A	≥99%	J-0004928
Atracina	0.0094 mg/L	0.009 mg/L ± 10%	94.7%	0.00005 mg/L	0.003 mg/L	N/A	J-00049293
Benceno	0.016 mg/L	0.015 mg/L ± 10%	96.7%	0.005 mg/L	0.005 mg/L	N/A	J-00049300
Carbofuran	0.08 mg/L	0.08 mg/L ± 10%	98.1%	0.002 mg/L	0.04 mg/L	N/A	J-00049294
Lindano	0.002 mg/L	0.002 mg/L ± 10%	98.2%	0.00004 mg/L	0.0002 mg/L	N/A	J-00051975
P-Diclorobenceno	0.22 mg/L	0.225 mg/L ± 10%	99.8%	0.0005 mg/L	0.075 mg/L	N/A	J-00049298
Toxafeno	0.014 mg/L	0.015 mg/L ± 10%	93%	0.001 mg/L	0.003 mg/L	N/A	J-00049302
2,4-D	0.213 mg/L	0.210 mg/L ± 10%	95.2%	0.009 mg/L	0.07 mg/L	N/A	J-00049284
Plomo pH @6.5	0.150 mg/L	0.15 mg/L ± 10%	>99.3%	0.001 mg/L	0.010 mg/L	N/A	J-00051974
Plomo pH @8.5	0.150 mg/L	0.15 mg/L ± 10%	>99.3%	0.001 mg/L	0.010 mg/L	N/A	J-00049277
Mercurio @ pH 6.5	0.0059 mg/L	0.006 mg/L ± 10%	96.1	0.0002 mg/L	0.002 mg/L	N/A	J-00053886
Mercurio @ pH 8.5	0.0058 mg/L	0.006 mg/L ± 10%	90.1	0.0006 mg/L	0.002 mg/L	N/A	J-00051972
Bacterias*	120,000 bact/L	Mínimo 50,000 bacterias/L	99.99%	<1 bacterias/L	N/A	≥99.95%	J-00049281

* Basado en el uso de Cryptosporidium parvum oocysts.

Reemplazo de cartucho TIPO 2: ADQ74793501 (MDJ64844601)

Capacidad de 200 Galones (757 Litros) Reducción de Sustancias determinado por pruebas NSF.



Sistema probado y certificado por NSF International según los estándares NSF/ANSI 42 y 53 para la reducción de las sustancias siguientes.

Reducción de contaminantes	Influyente medio	Concentración objetivo especificada por NSF	% de reducción media	Concentración media de producto en agua	Concentración máxima permisible de producto en agua	Requisitos de reducción NSF
Olor y sabor de cloro	2.0 µg/L	2.0 µg/L ± 10%	>97.5%	0.050 µg/L	N/A	≥ 50.00%
Partículas nominales clase I, ≥0,5 a < 1,0 µm	12,000,000 pts/mL	Al menos 10,000 partículas/mL	98.8%	24,000 pts/ml	N/A	≥85%
Asbestos	180 MFL	10 ⁷ to 10 ⁸ MFL; fibras de una longitud mayor a 10 µg/L	>99%	< 1MLF	N/A	≥99%
Atracina	8.5 µg/L	9.0 µg/L ± 10%	>94.10%	0.500 µg/L	3.0 µg/L	N/A
Benceno	15.0 µg/L	15.0 µg/L ± 10%	>96.60%	0.510 µg/L	5.0 µg/L	N/A
Carbofuran	74.0 µg/L	80.0 µg/L ± 10%	98.30%	1.258 µg/L	40 µg/L	N/A
Lindano	1.9 µg/L	2.0 µg/L ± 10%	>99.00%	0.019 µg/L	0.2 µg/L	N/A
P-Diclorobenceno	230.0 µg/L	225.0 µg/L ± 10%	>99.80%	0.460 µg/L	75.0 µg/L	N/A
2,4-D	210.0 µg/L	210.0 µg/L ± 10%	>99.90%	0.210 µg/L	70.0 µg/L	N/A
Plomo pH @6.5	140.0 µg/L	150.0 µg/L ± 10%	99.60%	0.560 µg/L	10.0 µg/L	N/A
Plomo pH @8.5	150.0 µg/L	150.0 µg/L ± 10%	>99.7%	< 0.500 µg/L	10.0 µg/L	N/A
Mercurio @ pH 6.5	5.9 µg/L	6.0 µg/L ± 10%	91.00%	0.531 µg/L	2.0 µg/L	N/A
Mercurio @ pH 8.5	5.6 µg/L	6.0 µg/L ± 10%	92.50%	0.420 µg/L	2.0 µg/L	N/A
Bacterias*	100,000 bact/L	Mínimo 50,000 bacterias/L	>99.99%	10 bacterias/L	N/A	≥ 99.95%
Atenolol	240 ng/L	200 ± 40% ng/L	> 95.50%	10.80 ng/L	30 ng/L	N/A
Carbamazepina	1600 ng/L	1400 ± 40% ng/L	98.40%	25.60 ng/L	200 ng/L	N/A
DEET	1600 ng/L	1400 ± 40% ng/L	97.10%	46.40 ng/L	200 ng/L	N/A
Trimetoprima	170 ng/L	140 ± 40% ng/L	>96.80%	5.44 ng/L	20 ng/L	N/A
Linuron	160 ng/L	140 ± 40% ng/L	>96.60%	5.44 ng/L	20 ng/L	N/A
Fenitoina	200 ng/L	200 ± 40% ng/L	>94.80%	10.40 ng/L	30 ng/L	N/A
Ibuprofeno	400 ng/L	400 ± 40% ng/L	>94.50%	22.00 ng/L	60 ng/L	N/A
Naproxeno	140 ng/L	140 ± 40% ng/L	>96.10%	5.46 ng/L	20 ng/L	N/A
Estrona	120 ng/L	140 ± 40% ng/L	>96.10%	4.68 ng/L	20 ng/L	N/A
Bisfenol A	2000 ng/L	2000 ± 40% ng/L	>98.90%	22.00 ng/L	300 ng/L	N/A
Nonilfenol	1600 ng/L	1400 ± 40% ng/L	>97.10%	46.40 ng/L	200 ng/L	N/A

* Based on the use of Cryptosporidium parvum oocysts

CUIDADO DE SU REFRIGERADOR

Guías de Uso/Parámetros de Suministro de Agua	
Flujo de servicio	0.5 gpm (1.9 lpm)
Suministro de agua	Agua potable
Presión de agua	Sin Filtro: 20-120PSI (138-827kPa) Con Filtro: 40-120PSI (276-827kPa)
Temperatura del agua	33°F ~ 100°F (0.6°C ~ 38°C)

Es indispensable que se realicen la instalación recomendada por el fabricante, el mantenimiento y los requerimientos de remplazo del filtro para que el producto se desempeñe adecuadamente.

Nota: Mientras que las pruebas se realizaron en condiciones estándar de laboratorio, el desempeño real puede variar.

Verifique el tipo de Cartucho de remplazo con el número marcado en su cartucho actual.

Para conocer el costo estimado de los cartuchos, llame al teléfono:

USA **1-800-243-0000**

CANADA **1-888-542-2623**

(24 horas al día/ 7 días por semana o visite nuestro sitio web en www.lg.com)

⚠️ ADVERTENCIA

Para reducir el riesgo asociado con la ingestión de contaminantes: No use agua que no es microbiológicamente segura o de calidad desconocida sin haberle desinfectado adecuadamente antes y después del sistema.

Los sistemas certificados para la reducción de quistes puede utilizarse en aguas desinfectadas que puedan contener quistes filtrables. Número de establecimiento de EPA 10350-MN-005

⚠️ PRECAUCIÓN

Para reducir el riesgo asociado con daños a la propiedad debido a fugas de agua:

- **Lea y siga.** Use las Instrucciones antes de la instalación y del uso de este sistema.
- La instalación y el uso DEBEN cumplir con todos los códigos de plomería estatales y locales.
- No instale si la presión del agua excede las 120 psi (827 kPa). Si la presión del agua excede las 80 psi (552 kPa) usted debe instalar una válvula limitadora de presión. Contrate a un plomero profesional si no tiene la seguridad de cómo verificar la presión del agua.
- No instale donde puedan darse condiciones de golpe de agua. Si existen condiciones de golpe de agua usted debe instalar un bloqueador de golpe de agua. Contrate a un plomero profesional si no tiene la seguridad de cómo verificar la presión del agua.
- No instale en líneas de suministro de agua caliente. La temperatura máxima del agua de operación de este sistema de filtrado es de 38°C (100°F).
- Evite la congelación del filtro. Drene el filtro cuando la temperatura caiga por debajo de 4.4°C (40°F).
- El cartucho desechable del filtro debe ser remplazado cada 6 meses, con la capacidad especificada o si hay una reducción notable en el flujo de agua.

FILTRO DE AGUA

State of California
Department of Public Health
**Water Treatment Device
Certificate Number
09-2018**

Date Issued: December 15, 2009

Trademark/Model Designation

ADQ36006101-S

Replacement Elements

ADQ36006101

Manufacturer: Cuno Inc.

The water treatment device(s) listed on this certificate have met the testing requirements pursuant to Section 116830 of the Health and Safety Code for the following health related contaminants:

Microbiological Contaminants and Turbidity

Cysts

Inorganic/Radiological Contaminants

Asbestos

Lead

Mercury

Organic Contaminants

2,4-D Reduction

Atrazine

Benzene

Carbofuran

Lindane

p-Dichlorobenzene

Toxaphene

Rated Service Capacity: 200 gal

Rated Service Flow: 0.5 gpm

Conditions of Certification:

⚠ ADVERTENCIA



Riesgo de explosión

Use un limpiador no inflamable. Si no se respeta esta advertencia, existe peligro de explosión, incendio o muerte.

Tanto las secciones refrigerador como congelador se descongelan de forma automática; sin embargo, se recomienda limpiar ambas secciones una vez al mes para evitar la aparición de olores. Seque los derrames inmediatamente.

SUGERENCIAS GENERALES DE LIMPIEZA

- Desenchufe el refrigerador o desconecte la alimentación.
- Retire todos los componentes extraíbles, como estantes, cajones, etc. Consulte las secciones en Uso del refrigerador para obtener instrucciones acerca del desmontaje.
- Use una esponja limpia o un trapo suave, junto con un detergente suave en agua templada. No utilice limpiadores abrasivos o agresivos.
- Lave a mano, aclare y seque todas las superficies a fondo.
- Enchufe el refrigerador o vuelva a conectar la corriente.

EXTERIOR

El encerado de las superficies metálicas pintadas externas proporciona una protección contra el óxido. No encere las piezas de plástico. Encere las superficies metálicas pintadas al menos dos veces al año con cera para electrodomésticos (o cera en pasta para coches). Aplique la cera con un trapo suave y limpio.

Para productos con un exterior en acero inoxidable, use una esponja limpia o un trapo suave, junto con un detergente suave en agua templada. No utilice limpiadores abrasivos o agresivos. Seque a fondo con un trapo suave.

PARTES INTERIORES (deje que el congelador se caliente para que el trapo no se quede pegado)

Para ayudarle a eliminar los olores, puede lavar el interior del refrigerador con una mezcla de bicarbonato sódico y agua templada. Mezcle 2 cucharadas soperas de bicarbonato sódico (unos 26 g) en 1 litro de agua. Asegúrese de que el bicarbonato sódico esté completamente disuelto para que no raye las superficies del refrigerador.

⚠ PRECAUCIÓN: Cuando esté limpiando el interior, no pulverice agua.

REVESTIMIENTO DE LAS PUERTAS Y JUNTAS

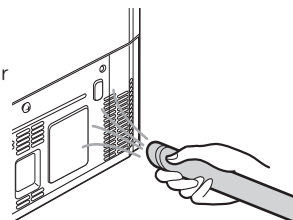
Use una esponja limpia o un trapo suave, junto con un detergente suave en agua templada. No utilice ceras de limpieza, detergentes concentrados, lejías ni limpiadores que contengan petróleo en las piezas del refrigerador que son de plástico.

PIEZAS DE PLÁSTICO (tapas y paneles)

Use una esponja limpia o un trapo suave, junto con un detergente suave en agua templada. No utilice sprays para ventanas, limpiadores abrasivos ni líquidos inflamables, ya que pueden arañar o dañar el material.

BOBINAS DEL CONDENSADOR

Use un aspirador con un accesorio para limpiar las bobinas del condensador y las rejillas de ventilación. No retire el panel que cubre el área de las bobinas del condensador.



CAMBIO DE LUZ (LED)

NOTA: No remueva el LED, sólo debe de ser removido por un técnico calificado.

ADVERTENCIA

En caso de reemplazo, el nuevo LED debe ser de la misma especificación que el original.

INTERRUPCIONES DE ALIMENTACIÓN

1. Si la interrupción de la corriente durará 24 horas o menos, mantenga todas las puertas del refrigerador cerradas para que los alimentos permanezcan fríos y congelados.

2. Si la interrupción de la corriente durará más de 24 horas, saque todos los alimentos congelados y almacénelos en un arcón congelador.

CUANDO SE VA DE VACACIONES

Si decide dejar encendido el refrigerador mientras está fuera, siga estos pasos para preparar el refrigerador antes de irse.

1. Consuma los alimentos perecederos y congele los demás.

2. Apague la máquina de hielo y vacíe el depósito de hielo.

Si decide apagar el refrigerador antes de partir, siga estos pasos.

1. Saque todos los alimentos del refrigerador.

2. En función del modelo, ajuste el control del termostato (control del refrigerador) en OFF. Consulte la sección Ajuste de los controles.

3. Limpie el refrigerador y séquelo a fondo..

4. Con cinta adhesiva, coloque bloques de madera o goma en la parte superior de ambas puertas para mantenerlas lo suficientemente abiertas para que pueda pasar el aire. Esto evitará la aparición de moho y malos olores.

CUANDO SE MUDA

Cuando vaya a trasladar su refrigerador a una nueva casa, siga estos pasos para prepararlo para la mudanza.

1. Saque todos los alimentos del refrigerador y empaquete todos los alimentos congelados en hielo seco.

2. Desenchufe el refrigerador.

3. Lávelo y séquelo a fondo.

4. Retire todos los componentes extraíbles, envuélvalos bien y, con cinta adhesiva, embálelos juntos para que no se muevan ni traqueteen durante la mudanza. Consulte la sección Uso del refrigerador para obtener instrucciones sobre componentes extraíbles.

5. En función del modelo, levante la parte delantera del refrigerador para que ruede con más facilidad, o bien, atornille los pies de nivelación para que no rayen el suelo. Consulte la sección Cierre de las puertas.

6. Use cinta adhesiva para mantener las puertas cerradas y para pegar el cable de alimentación al cuerpo del refrigerador.

Cuando llegue a su nueva casa, vuelva a colocar todo en su sitio y consulte la sección Instalación del refrigerador para obtener las instrucciones de preparación.

COMO CONECTAR LA TUBERÍA DE AGUA

ANTES DE EMPEZAR

Esta instalación de la tubería de agua no está cubierta por la garantía del refrigerador. Siga estas instrucciones con cuidado para minimizar el riesgo de costosos daños debidos al agua.

El golpe de ariete (golpeteo del agua en las tuberías) en la fontanería de la casa podría dañar componentes del refrigerador y provocar una fuga o una inundación de agua. Llame a un fontanero calificado para resolver el golpe de ariete antes de instalar la tubería de suministro de agua en el refrigerador.

Para evitar quemaduras y daños en el producto, conecte solamente el tubo de agua del refrigerador a un suministro de agua fría.

Si va a usar el refrigerador antes de conectar la tubería de agua, asegúrese de que el interruptor de alimentación de la máquina de hielo está en la posición OFF (O). No instale la tubería de la máquina de hielo en zonas donde las temperaturas descienden por debajo del punto de congelación.

PRESIÓN DEL AGUA

Un suministro de agua fría. La presión de agua debe estar entre los 20 y los 120 psi en los modelos sin filtro de agua, y entre los 40 y 120 psi en los modelos con filtro de agua.

Si se conecta un sistema de filtración de agua por ósmosis inversa al suministro de agua fría, esta instalación de la tubería de agua no está cubierta por la garantía del refrigerador. Siga estas instrucciones con cuidado para minimizar el riesgo de costosos daños debidos al agua.

Si se conecta un sistema de filtración de agua por ósmosis inversa al suministro de agua fría, la presión de agua al sistema por ósmosis inversa debe ser como mínimo de entre 40 y 60 psi (2,8 kgf/cm² ~ 4,2 kgf/cm², menos de 2,0~3,0 segundos en llenar una taza de 200 cc. de capacidad).

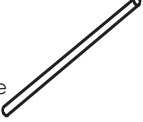
Si la presión del agua procedente del sistema por ósmosis inversa es inferior a 21 psi o 1,5 kgf/cm² (tarda más de 4 segundos en llenar una taza de 200 cc de capacidad):

- Compruebe si el filtro de sedimentos del sistema por ósmosis inversa está bloqueado. Reemplace el filtro si es necesario.
- Después de un uso intensivo, dele tiempo al depósito de almacenamiento del sistema por ósmosis inversa para que se llene.
- Si el problema relacionado con la presión de agua procedente de la ósmosis inversa persiste, llame a un fontanero calificado.

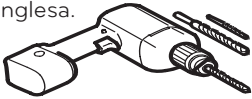
• Todas las instalaciones deben realizarse conforme a los requisitos de los códigos locales de fontanería.

PRECAUCIÓN: Use gafas protectoras durante la instalación para evitar lesiones.

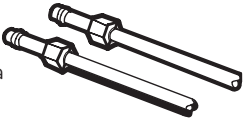
QUÉ NECESITARÁ

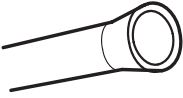
- Tubería de cobre, de ¼ de pulgada de diámetro, para conectar el refrigerador al suministro de agua. Asegúrese de que ambos extremos de la tubería están cortados a escuadra. 
- Para determinar la cantidad de tubería que necesita: mida la distancia desde la válvula de agua situada en la parte posterior del refrigerador a la tubería del suministro de agua. A continuación, súmele 2,4 metros (8 pies). Asegúrese de que haya suficiente tubería adicional (aproximadamente 2,4 metros [8 pies] enrollada en 3 vueltas de unos 25 cm [10 pulg.] de diámetro) para permitir que se pueda despegar el refrigerador de la pared después de la instalación.

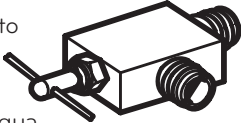
- Taladro eléctrico.

- Llave de ½ pulg. o una llave inglesa. 

- Destornilladores de punta plana y de estrella.

- Dos tuercas de compresión con un diámetro exterior de ¼ de pulg. y 2 abrazaderas para unir el tubo de cobre a la válvula de corte y a la válvula de agua del refrigerador. 

- Si la tubería de agua de cobre existente tiene una conexión abocinada en el extremo, necesitará un adaptador (disponible en cualquier ferretería) para conectar la tubería de agua al refrigerador o puede cortar la conexión abocinada con un cortatubos y, a continuación, usar una tuerca de unión. 

- Una válvula de corte para conectar a la tubería de agua fría. La válvula de corte debería tener una entrada de agua con un diámetro interior mínimo de 5/32 pulg. en el punto de conexión con la TUBERÍA DE AGUA FRÍA. Las válvulas de corte de montura se incluyen en muchos kits de suministros de agua. Antes de comprarla, asegúrese de que la válvula de montura cumple con los códigos locales de fontanería. 

NOTA: No se debe usar una válvula de agua de tipo de montura autopercutor.

⚠ ADVERTENCIA

Riesgo de descarga eléctrica

Si usa un dispositivo eléctrico (como un taladro) durante la instalación, asegúrese de que esté alimentado por batería y que tenga doble aislamiento o que esté correctamente conectado a tierra de manera que evite el riesgo de una descarga eléctrica.

COMO CONECTAR LA TUBERÍA DE AGUA

INSTRUCCIONES PARA LA INSTALACIÓN

Instale la válvula de corte cerca de la tubería de agua potable que más se usa.

1. CORTE EL SUMINISTRO DE AGUA PRINCIPAL

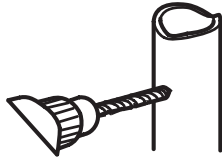
Abra el grifo más cercano para liberar la presión de la línea.

2. ELIJA LA UBICACIÓN DE LA VÁLVULA

Elija una ubicación para la válvula a la que se pueda acceder fácilmente. Es mejor conectarla en el lateral de una tubería de agua vertical. Cuando sea necesario conectarla en una tubería de agua horizontal, realice la conexión en la parte superior o lateral, en lugar de conectarla a la parte inferior, para evitar la acumulación de sedimentos de la tubería de agua.

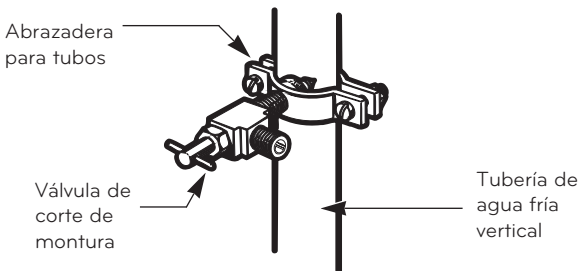


Taladre un orificio de 1/4 pulg. en la tubería de agua mediante una punta afilada. Quite todas las rebabas resultantes de taladrar el orificio en la tubería. Tenga cuidado de que no caiga agua en el taladro. Si no se taladra un orificio de 1/4", podría verse reducida la producción de hielo y el tamaño de los cubitos.



NOTA: La tubería de conexión no puede ser una tubería blanca de plástico. Los plomeros autorizados sólo deben usar tuberías de cobre NDA #49595 o 49599 o tuberías PEX (polietileno reticulado).

Fije la válvula de corte a la tubería de agua fría con la abrazadera para tubos.



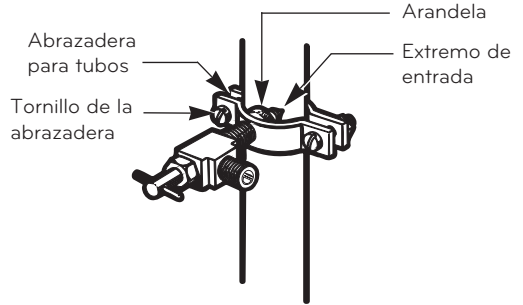
NOTA: Se deben cumplir los códigos de fontanería 248CMR del Estado de Massachusetts. Las válvulas de montaje son ilegales y no se permite su uso en Massachusetts.

Consulte a su plomero autorizado.

5. APRIETE LA ABRAZADERA PARA TUBOS

Apriete los tornillos de la abrazadera hasta que la arandela de sellado comience a hincharse.

NOTA: Tenga cuidado de no sobreapretar la abrazadera, ya que podría romper la tubería.



6. ENCAMINE LA TUBERÍA.

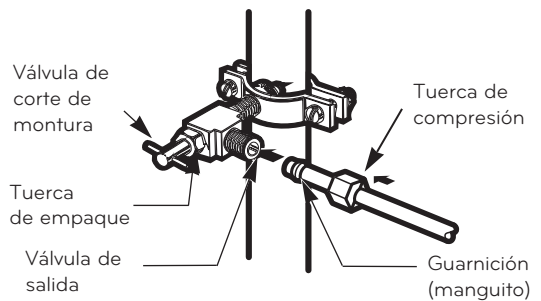
Encamine la tubería entre la tubería de agua fría y el refrigerador.

Encamine la tubería a través de un orificio taladrado en la pared o suelo (detrás del refrigerador o junto a la base del aparato) lo más cerca de la pared que sea posible.

NOTA: Asegúrese de que haya suficiente tubería adicional (aproximadamente 2,4 metros enrollada en 3 vueltas de unos 25 cm. de diámetro) para permitir que se pueda despegar el refrigerador de la pared después de la instalación.

7. CONECTE LA TUBERÍA A LA VÁLVULA

Coloquela tuerca de compresión y la abrazadera para la tubería de cobre en el extremo de la tubería y conéctela a la válvula de corte. Asegúrese de que la tubería está completamente insertada en la válvula. Apriete la tuerca de compresión con fuerza.



NOTA: Se deben cumplir los códigos de fontanería 248CMR del Estado de Massachusetts. Las válvulas de montaje son ilegales y no se permite su uso en Massachusetts.

Consulte a su plomero autorizado.

COMO CONECTAR LA TUBERÍA DE AGUA

8. ACLARE EL INTERIOR DE LA TUBERÍA

Active el suministro de agua principal y deje correr el agua por la tubería hasta que salga agua limpia.

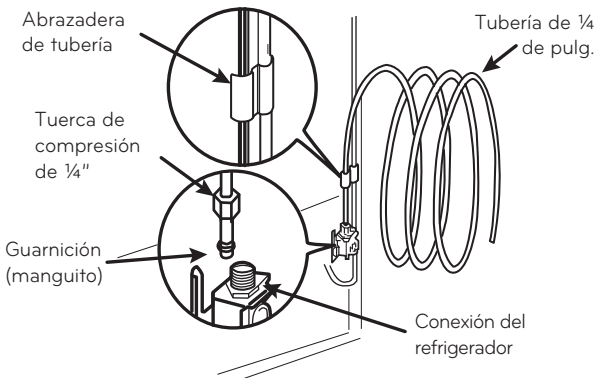
Corte la válvula de agua después de que haya pasado aproximadamente un litro de agua a través de la tubería.



9. CONECTE LA TUBERÍA AL REFRIGERADOR

NOTA: Antes de realizar la conexión con el refrigerador, asegúrese de que el cable de alimentación del refrigerador no está enchufado a la toma de corriente.

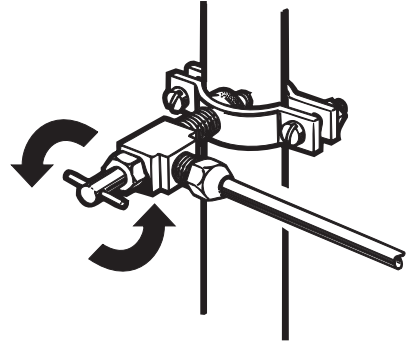
1. Retire la tapa de plástico flexible de la válvula de agua.
2. Coloque la tuerca de compresión y la guarnición (manguito) en el extremo del tubo tal como se muestra en la imagen.
3. Inserte el extremo de la tubería de cobre en la conexión todo lo que pueda. Mientras sujeta la tubería, apriete el adaptador.



⚠ ADVERTENCIA: No utilice mangueras viejas, gastadas o usadas, sólo use nuevas para hacer un mejor uso y lograr un mejor servicio. Conecte sólo al suministro de agua potable para su seguridad y salud.

10. ABRA EL PASO DE AGUA EN LA VÁLVULA DE CORTE

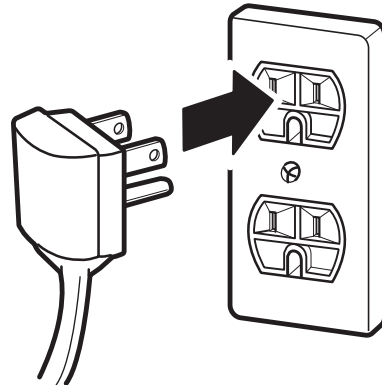
Apriete las conexiones que goteen.



⚠ PRECAUCIÓN: Compruebe si hay fugas en las conexiones de las tuberías de agua.

11. ENCHUFE EL REFRIGERADOR

Disponga la bobina de tubería de tal manera que no vibre contra la parte posterior del refrigerador ni contra la pared. Empuje el refrigerador hacia la pared.



12. ENCIENDA LA MÁQUINA DE HIELO

Ponga el interruptor de alimentación de la máquina de hielo en la posición ON (encendido).

La máquina de hielo no comenzará a funcionar hasta que no alcance su temperatura de funcionamiento de -9°C (15°F) o menos. En ese momento, comenzará automáticamente a funcionar si el interruptor de alimentación de la máquina de hielo está en la posición ON (I).

GUÍA DE SOLUCIÓN DE PROBLEMAS

Antes de proceder a la guía de solución de problemas, asegúrese de cumplir con los siguientes requisitos básicos:

Flujo de servicio	0.5 gpm (1.9 lpm)
Suministro de agua	Agua Potable
Presión del agua	40-120 psi (0,28 - 0,83 MPa)
Límites de temperatura ambiente para el funcionamiento	55°F - 110°F (13°C - 43°C)
Especificaciones eléctricas	115 o 127 voltios, AC fusionado a 15 A o 10 A para 220 V.

ENFRIADO

Problema	Causas Posibles	Soluciones
Las secciones del refrigerador y del congelador no enfrían.	El control del refrigerador está en la posición OFF (en algunos modelos).	Encienda el control. Consulte la sección Ajuste de los controles para obtener información acerca de los ajustes correctos de temperatura.
	El refrigerador está en Demo exposición	El Modo exposición permite que las luces y la pantalla de control funcionen con normalidad, si bien el sistema de refrigeración está deshabilitado para ahorrar energía, mientras el electrodoméstico está en la planta de exposición del establecimiento comercial. Consulte la sección Ajuste de los controles para obtener instrucciones sobre cómo desactivar el Modo exposición.
	El refrigerador está en el ciclo de descongelación.	Durante el ciclo de descongelación, la temperatura de cada compartimiento puede aumentar ligeramente. Espere 30 minutos y una vez que se haya completado el ciclo de descongelación, verifique que la temperatura correcta se haya restablecido.
	El refrigerador se instaló recientemente.	Puede tomar hasta 24 horas para que cada compartimiento alcance la temperatura deseada.
	El refrigerador se trasladó recientemente.	Si el refrigerador estuvo fuera de uso por mucho tiempo, o si estuvo guardado de costado, es necesario que se lo posiciones de manera vertical por 24 horas antes de conectarlo a la energía eléctrica..
El sistema de enfriado funciona por demasiado tiempo.	El refrigerador ha reemplazado a un modelo más antiguo.	Los refrigeradores modernos requieren más tiempo de funcionamiento pero consumen menos energía gracias a una tecnología más eficiente.
	El refrigerador se acaba de enchufar o la electricidad se acaba de restablecer.	El refrigerador puede tardar hasta 24 horas en enfriarse completamente.
	La puerta se abre a menudo o se acaba de introducir una gran cantidad de alimentos/ alimentos calientes.	Cuando se introducen alimentos o se abren las puertas, aumenta la temperatura del refrigerador, lo que obliga al compresor a funcionar por más tiempo para volver a enfriar el refrigerador. Para ahorrar energía, intente sacar todo lo que necesite del refrigerador de una sola vez, mantenga los alimentos organizados para que resulte fácil encontrarlos, y cierre la puerta en cuanto saque el alimento. (Consulte la Guía para el almacenamiento de alimentos).
	Las puertas no están completamente cerradas.	Empuje firmemente para cerrar las puertas. Si éstas no se cierran por completo, consulte el apartado "Las puertas no se cierran completamente o quedan abiertas en la sección Componentes y Características de la Guía de resolución de problemas.

GUÍA DE SOLUCIÓN DE PROBLEMAS

ENFRIADO

Problema	Causas posibles	Soluciones
	El refrigerador está instalado en un lugar caluroso.	El compresor funcionará por más tiempo en condiciones calurosas. A temperaturas ambiente normales 21 °C (70 °F), el compresor debería funcionar entre el 40% y el 80% del tiempo. En condiciones más calurosas, sería esperable que funcionara incluso más a menudo. No se debería usar el refrigerador si la temperatura supera los 43°C (110 °F).
	La tapa posterior/ el condensador está obstruida/o.	Use un aspirador con un accesorio para limpiar las bobinas del condensador y las rejillas de ventilación. No retire el panel que cubre el área de las bobinas del condensador
La sección del REFRIGERADOR o del CONGELADOR está demasiado caliente.	El refrigerador se instaló recientemente.	Puede tomar hasta 24 horas para que cada compartimiento alcance la temperatura deseada.
	Las ventilaciones de aire están bloqueadas. Circula aire frío desde el congelador hasta la sección de alimentos frescos y de vuelta, por las ventilaciones de aire que hay en la pared que dividen las dos secciones.	Reorganice los artículos dentro del electrodoméstico para permitir que el aire fluya a través del compartimiento. Consulte el diagrama de Flujo de aire en la sección Uso del refrigerador.
	Las puertas se abren a menudo o por largos períodos de tiempo.	Cada vez que las puertas se abren a menudo o por largos períodos de tiempo, ingresa aire caliente y húmedo al compartimiento. Esto aumenta la temperatura y el nivel de humedad dentro de compartimiento. Para disminuir el efecto, reduzca la frecuencia y duración de apertura de la puerta.
	La unidad está instalada en un lugar caluroso.	No se debería usar el refrigerador si la temperatura supera los 43°C (110°F).
	Se agregó una gran cantidad de alimentos o alimentos calientes al alguno de los compartimientos.	Agregar alimentos calienta el compartimiento, con lo cual se necesita que el sistema de enfriado comience a funcionar. Dejar que la comida caliente se enfríe a temperatura ambiente antes de ponerla en el refrigerador reducirá dicho efecto.
	Las puertas no cierran correctamente.	Consulte el apartado "Las puertas no se cierran completamente o quedan abiertas" en la sección Componentes y Características de la Guía de resolución de problemas.
	El control de temperatura no es el adecuado.	Si la temperatura no está lo suficientemente fría, ajuste el control de a un punto a la vez y espere a que la temperatura se establezca. Consulte la sección Ajuste de los controles para obtener mayor información.
	El ciclo de descongelación se ha completado recientemente..	Durante el ciclo de descongelación, la temperatura de cada compartimiento puede aumentar ligeramente y se puede formar condensación en la pared trasera. Espere 30 minutos y una vez que se haya completado el ciclo de descongelación, verifique que la temperatura correcta se haya restablecido.

GUÍA DE SOLUCIÓN DE PROBLEMAS

ENFRIADO/ HIELO Y AGUA

Problema	Causas posibles	Soluciones
Acumulación de humedad en el interior	Las puertas se abren seguido o por largos períodos de tiempo.	Cada vez que las puertas se abren seguido o por largos períodos de tiempo, ingresa aire caliente y húmedo al compartimiento. Esto aumenta la temperatura y el nivel de humedad dentro de compartimiento. Para disminuir el efecto, reduzca la frecuencia y duración de apertura de la puerta.
	Las puertas no cierran correctamente.	Consulte el apartado "Las puertas no se cierran correctamente" en la sección Guía para la solución de problemas.
	El clima es húmedo.	El clima húmedo hace que más humedad ingrese a los compartimientos cuando se abren las puertas, provocando condensación o congelación. Mantener un nivel razonable de humedad en el hogar ayudará a controlar la cantidad de humedad que ingresa en los compartimientos.
	El ciclo de descongelación se acaba de completar.	Durante el ciclo de descongelación, la temperatura de cada compartimiento puede aumentar ligeramente y se puede formar condensación en la pared trasera. Espere 30 minutos y una vez que se haya completado el ciclo de descongelación, verifique que la temperatura correcta se haya restablecido.
	Los alimentos no están empaquetados correctamente.	Los alimentos destapados o desenvueltos y los envases húmedos pueden provocar la acumulación de humedad dentro de cada compartimiento. Limpie y seque todos los envases, y almacene los alimentos en empaques sellados para prevenir la condensación y la congelación.
Los alimentos se congelan en el compartimiento del refrigerador.	Alimentos con alto contenido de agua fueron colocados cerca de la ventilación de aire.	Reubique los alimentos con alto contenido de agua lejos de las ventilaciones de aire.
	El control de temperatura del refrigerador está incorrectamente ajustado..	Si la temperatura está demasiado fría, ajuste el control de a un punto a la vez y espere a que la temperatura se estabilice. Consulte la sección Ajuste de los controles para obtener mayor información.
	El refrigerador está instalado en un lugar frío.	Cuando el refrigerador funciona a una temperatura menor a los 5°C (41°F), los alimentos pueden congelarse en el compartimiento del refrigerador. No se debería usar el refrigerador si la temperatura es inferior a los 13°C (55°F).
Se forman cristales de hielo o escarcha en los alimentos congelados (dentro de paquetes sellados).	La puerta se abre seguido o por largos períodos de tiempo.	Cada vez que las puertas se abren a menudo o por largos períodos de tiempo, ingresa aire caliente y húmedo al compartimiento. Esto aumenta la temperatura y el nivel de humedad dentro de compartimiento. La humedad produce congelación y condensación. Para disminuir el efecto, reduzca la frecuencia y duración de apertura de la puerta.
	La puerta no se cierra correctamente.	Consulte el apartado "Las puertas no se cierran completamente o quedan abiertas" en la sección de la Guía de resolución de problemas.

GUÍA DE SOLUCIÓN DE PROBLEMAS

Problema	Causas posibles	Soluciones
La sección del REFRIGERADOR o del CONGELADOR está demasiado fría.	Los ajustes de control de temperatura son incorrectos.	Si la temperatura está demasiado fría, ajuste el control de a un punto a la vez y espere a que la temperatura se estabilice. Consulte la sección Ajuste de los controles para obtener mayor información.
Se forman cristales de hielo o escarcha en los alimentos congelados (dentro de paquetes sellados).	La condensación proveniente de los alimentos con alto contenido de agua provoca la congelación en el interior del paquete del alimento.	Esto es normal en alimentos con alto contenido de agua.
	Los alimentos se han dejado en el congelador por un largo tiempo.	No almacene alimentos con alto contenido de agua en el congelador durante mucho tiempo.
La máquina de hielo no hace suficiente hielo.	La necesidad de hielo excede la capacidad de almacenamiento de hielo.	La máquina de hielo fabricará aproximadamente 100 cubitos en un período de 24 horas.
	El suministro de agua del hogar no está conectado, la válvula no está completamente encendida, o la válvula está obstruida.	Conecte el refrigerador al suministro de agua fría con adecuada presión y abra completamente la válvula de corte de agua. Si el problema persiste, puede ser necesario contactar a un plomero.
	El filtro de agua está agotado.	Se recomienda reemplazar el filtro de agua: •Aproximadamente cada seis meses. •Cuando se encienda el indicador del filtro del agua. •Cuando disminuya el caudal del dispensador de agua. •Cuando los cubitos de hielo sean más pequeños de lo normal.
	Baja presión de suministro de agua en el hogar.	La presión del agua debe estar entre los 20 y los 120 psi o 0,14 y los 0,83 MPa en modelos sin filtro de agua, y entre los 40 y 120 o 0,28 y los 0,83 MPa psi en modelos con filtro de agua. Si el problema persiste, puede ser necesario contactar a un plomero.
	Se utilizar un sistema de filtración de agua de ósmosis inversa.	Los sistemas de filtración de agua de ósmosis inversa pueden reducir la presión de agua por debajo del mínimo y provocar problemas en la máquina de hielo. (Consulte la sección Presión del agua).
	La tubería que conecta el refrigerador al suministro del hogar está retorcida.	La tubería se puede retorcer cuando el refrigerador se mueve durante la instalación o limpieza, lo que provoca un flujo de agua reducido. Enderece o repare el conducto de suministro del agua y arréglole a fin de prevenir futuras torceduras.

GUÍA DE SOLUCIÓN DE PROBLEMAS

HIELO Y AGUA

Problema	Causas posible	Soluciones
La máquina de hielo no hace suficiente hielo (continuación).	Las puertas se abren seguido o por largos períodos de tiempo.	Si las puertas de la unidad se abren a menudo, el aire ambiental calentará el refrigerador e impedirá que la unidad pueda mantener la temperatura establecida. Para ayudar a resolver este problema puede bajar la temperatura del refrigerador, además de no abrir la puerta con tanta frecuencia.
	Las puertas no están completamente cerradas.	Si las puertas no se cierran correctamente, la fabricación de hielo se verá afectada. Para obtener mayor información, consulte el apartado "Las puertas no se cierran completamente o quedan abiertas" en la sección Componentes y Características de la Guía de resolución de problemas.
	El ajuste de temperatura del congelador es demasiado cálido.	La temperatura recomendada para el compartimento del congelador para una fabricación normal de hielo es de -18 °C (0 °F). Si la temperatura del congelador es superior, la fabricación de hielo se verá afectada.
Se dispensa agua lentamente.	El filtro de agua está agotado.	Se recomienda reemplazar el filtro de agua: <ul style="list-style-type: none"> •Aproximadamente cada seis meses. •Cuando se encienda el indicador del filtro del agua. •Cuando disminuya el caudal del dispensador de agua. •Cuando los cubos de hielo son mas pequeños de lo normal.
	Se utiliza un sistema de filtración de agua de ósmosis inversa.	Los sistemas de filtración de agua de ósmosis inversa pueden reducir la presión de agua por debajo del mínimo y provocar problemas en la máquina de hielo. Si el problema persiste, puede ser necesario contactar a un plomero.
	Baja presión de suministro de agua en el hogar.	La presión del agua debe estar entre los 20 y los 120 psi o 0,14 y los 0,83 MPa en modelos sin filtro de agua, y entre los 40 y 120 o 0,28 y los 0,83 MPa psi en modelos con filtro de agua. Si el problema persiste, puede ser necesario contactar a un plomero.
La máquina de hielo no hace hielo.	El refrigerador se instaló recientemente o la máquina de hielo se conectó recientemente.	Puede tomar hasta 24 horas para que cada compartimento alcance la temperatura deseada y para que la máquina de hielo comience a fabricar hielo.
	La máquina de hielo no está encendida.	Localice el interruptor de ON/OFF (encendido/apagado) de la máquina de hielo y confirme que está en la posición ON (encendido).
	El sensor detector de hielo está obstruido.	La presencia de sustancias extrañas o de escarcha en el sensor de detección de hielo puede interrumpir la fabricación de hielo. Asegúrese de que el área del sensor esté siempre limpia para que el funcionamiento sea el correcto.
	El refrigerador no está conectado a un suministro de agua o la válvula de corte del suministro no está abierta.	Conecte el refrigerador al suministro de agua y abra completamente la válvula de corte de agua.
	El corte de la máquina de hielo (brazo o sensor) está obstruido.	Si su máquina de hielo viene equipada con un brazo de corte de hielo, asegúrese de que el brazo se mueva libremente. Si su máquina de hielo viene equipada con un sensor de corte de hielo electrónico, asegúrese de que haya un camino libre entre ambos sensores.
	Tiene conectado un sistema de filtración de agua de ósmosis inversa al suministro de agua fría.	Los sistemas de filtración de agua de ósmosis inversa pueden reducir la presión de agua por debajo del mínimo y provocar problemas en la máquina de hielo. (Consulte la sección Presión del agua).

GUÍA DE SOLUCIÓN DE PROBLEMAS

Problema	Causas posibles	Soluciones
La máquina de hielo no hace hielo	El refrigerador se instaló recientemente o la máquina de hielo se conectó recientemente.	Puede tomar hasta 24 horas para que cada compartimiento alcance la temperatura deseada y para que la máquina de hielo comience a fabricar hielo.
	La máquina de hielo no está encendida.	Localice el interruptor de ON/OFF (encendido/apagado) de la máquina de hielo y confirme que está en la posición ON (encendido).
	El sensor detector de hielo está obstruido	La presencia de sustancias extrañas o de escarcha en el sensor de detección de hielo puede interrumpir la fabricación de hielo. Asegúrese de que el área del sensor esté siempre limpia para que el funcionamiento sea el correcto.
	El refrigerador no está conectado a un suministro de agua o la válvula de corte del suministro no está abierta.	Conecte el refrigerador al suministro de agua y abra completamente la válvula de corte de agua.
	El corte de la máquina de hielo (brazo o sensor) está obstruido.	Si su máquina de hielo viene equipada con un brazo de corte de hielo, asegúrese de que el brazo se mueva libremente. Si su máquina de hielo viene equipada con un sensor de corte de hielo electrónico, asegúrese de que haya un camino libre entre ambos sensores.
	Tiene conectado un sistema de filtración de agua de ósmosis inversa al suministro de agua fría.	Los sistemas de filtración de agua de ósmosis inversa pueden reducir la presión de agua por debajo del mínimo y provocar problemas en la máquina de hielo. (Consulte la sección Presión del agua).
No se dispensa agua.	Nueva instalación o conducto de agua recientemente conectado.	Dispense 9 litros ó 2.5 galones de agua (deje correr el agua durante unos 5 minutos) para purgar el aire atrapado y los contaminantes del sistema. No dispense los 9 litros ó 2.5 galones de agua de manera continua. Pulse y suelte el botón del dispensador en ciclos de 30 segundos ON (encendido) y 60 segundos OFF (apagado).
	El panel del dispensador está bloqueado.	Mantenga presionado el botón Lock durante tres segundos para desbloquear el panel de control y el dispensador.
	El dispensador no está ajustado para dispensar agua.	El dispensador se puede ajustar para que dispense hielo o agua. Compruebe que el panel de control está ajustado para el funcionamiento deseado. Presione el botón Water (agua) en el panel de control para dispensar agua.
	Las puertas del refrigerador o del congelador no están cerradas correctamente.	El agua no se dispensará si hay alguna puerta del refrigerador abierta.
	El filtro de agua se sacó o se cambió recientemente.	Después de reemplazar el filtro de agua, dispense 9 litros ó 2.5 galones de agua (deje correr el agua durante unos 5 minutos) para purgar el aire atrapado y los contaminantes del sistema. No dispense los 9 litros ó 2.5 galones de agua de manera continua. Pulse y suelte el botón del dispensador en ciclos de 30 segundos ON (encendido) y 60 segundos OFF (apagado).
	La tubería que conecta el refrigerador al suministro del hogar está retorcida.	La tubería se puede retorcer cuando el refrigerador se mueve durante la instalación o limpieza, lo que provoca un flujo de agua reducido. Enderece o repare el conducto de suministro del agua y arréglole a fin de prevenir futuras torceduras.
El suministro de agua del hogar no está conectado, la válvula no está completamente encendida, o la válvula está obstruida.	Conecte el refrigerador al suministro de agua y abra completamente la válvula de corte de agua. Si el problema persiste, puede ser necesario contactar a un plomero.	

GUÍA DE SOLUCIÓN DE PROBLEMAS

Problema	Causas posibles	Soluciones
El hielo huele o sabe mal.	El suministro de agua contiene minerales tales como el azufre.	Es posible que deba reemplazar el filtro de agua para eliminar los problemas de olor y sabor. NOTA: En algunos casos, un filtro podría no ser de ayuda. Puede no resultar posible quitar todo mineral/ olor/sabor en todos los suministros de agua..
	La máquina de hielo se instaló hace poco tiempo.	Deseche las primeras tandas de hielo para evitar hielo manchado o con mal sabor.
	El hielo ha estado almacenado por demasiado tiempo.	El hielo almacenado por demasiado tiempo se achicará, se volverá turbio, y puede desarrollar un sabor rancio. Deseche el hielo antiguo y fabrique un nuevo suministro.
	Los alimentos no se han almacenado correctamente en los compartimentos.	Vuelva a envolver los alimentos. Vuelva a envolver los alimentos ya que, si no están correctamente envueltos, los olores podrían migrar hasta el hielo.
	El interior del refrigerador necesita una limpieza.	Consulte la sección Cuidado y limpieza para obtener más información.
	El depósito de hielo necesita una limpieza..	Vacíe y limpie el depósito (deseche los cubitos de hielo viejos). Asegúrese de que el depósito está completamente seco antes de reinstalarlo.
El agua del dispensador está caliente.	El refrigerador se instaló recientemente	Espere 24 horas tras la instalación a que el depósito de almacenamiento del agua se enfríe completamente.
	El dispensador de agua ha sido usado recientemente y el tanque de almacenamiento esta agotado.	Dependiendo de su modelo específico, la capacidad de almacenamiento de agua será de aproximadamente 0,3 a 0,9 litros (10 a 30 onzas).
	El dispensador de agua no ha sido usado en varias horas	Si el dispensador no se utilizó por varias horas, el primer vaso dispensado puede no estar lo suficientemente frío. Deseche las primeras 0,3 litros (10 onzas).
	El refrigerador esta conectado al suministro de agua caliente.	Asegúrese de que el refrigerador está conectado a una tubería de agua fría. ⚠ ADVERTENCIA: Conectar el refrigerador a un conducto de agua caliente puede dañar la máquina de hielo.
El agua huele o sabe mal.	El suministro de agua contiene minerales tales como el azufre.	Es posible que deba reemplazar el filtro de agua para eliminar los problemas de olor y sabor
	El filtro de agua está agotado.	Se recomienda reemplazar el filtro de agua: •Aproximadamente cada 6 meses. •Cuando se encienda el indicador del filtro del agua. •Cuando disminuya el caudal del dispensador de agua. •Cuando los cubitos de hielo sean más pequeños de lo normal.
	El refrigerador se instaló recientemente	Dispense 9 litros ó 2.5 galones de agua (deje correr el agua durante unos 5 minutos) para purgar el aire atrapado y los contaminantes del sistema. No dispense los 9 litros ó 2.5 galones de agua de manera continua. Pulse y suelte el botón del dispensador en ciclos de 30 segundos ON (encendido) y 60 segundos OFF (apagado).
La máquina de hielo hace demasiado hielo.	Apagador de maquina de hielo (brazo/ sensor) esta obstruido.	Vacíe el depósito de hielo. Si su máquina de hielo viene equipada con un brazo de corte de hielo, asegúrese de que el brazo se mueva libremente. Si su máquina de hielo viene equipada con un sensor de corte de hielo electrónico, asegúrese de que haya un camino libre entre ambos sensores. Reinstale el depósito de hielo y espere 24 horas para confirmar que la operación se ha realizado correctamente.

GUÍA DE SOLUCIÓN DE PROBLEMAS

RUIDO

Problema	Causas posibles	Soluciones
Clics	El control de descongelación emitirá un "clic" al comenzar y al finalizar el ciclo de descongelación. El control del termostato (o control del refrigerador en algunos modelos) también emitirá un "clic" al iniciar o finalizar un ciclo.	Funcionamiento normal.
Traqueteo	Los ruidos de traqueteos pueden proceder del flujo del refrigerante, de la tubería de agua en la parte posterior de la unidad, o de artículos almacenados encima o alrededor del refrigerador.	Funcionamiento normal.
	El refrigerador no está sólidamente apoyado en el suelo.	El suelo es poco sólido o irregular, o es necesario ajustar los pies de nivelación. Consulte la sección Alineación de las puertas.
	El refrigerador con compresor lineal se sacudió mientras estaba funcionando.	Funcionamiento normal.
Ruido de aspas	El motor del ventilador del evaporador está moviendo el aire a través de los compartimentos del refrigerador y del congelador.	Funcionamiento normal.
	El ventilador del condensador está forzando el paso de aire a través del condensador.	Funcionamiento normal.
Borboteo	Refrigerante está fluyendo a través del sistema de enfriamiento.	Funcionamiento normal.
Crujido	Se produjo la contracción y expansión de las paredes internas debido a cambios en la temperatura.	Funcionamiento normal.
Crepitación	El agua cayendo en el calentador de descongelación durante un ciclo de descongelación.	Funcionamiento normal.
Vibración	Si el lateral o la parte posterior del refrigerador están en contacto con un mueble o una pared, algunas de las vibraciones normales pueden producir un sonido audible.	Para eliminar el ruido, asegúrese de que los laterales y la parte posterior no puedan vibrar contra las paredes o los muebles.
Goteo	El agua cayendo en la batea de drenaje durante el ciclo de descongelación.	Funcionamiento normal.
Sonido de pulsación o agudo	Su refrigerador está diseñado para funcionar de forma más eficiente para conservar los alimentos a la temperatura deseada. El compresor de alta eficiencia puede hacer que su nuevo refrigerador funcione durante más tiempo que su antiguo refrigerador, y aun así será más eficiente energéticamente que los modelos anteriores. Mientras el refrigerador está en funcionamiento, es normal escuchar un sonido de pulsación o agudo.	Funcionamiento normal.

GUÍA DE SOLUCIÓN DE PROBLEMAS

COMPONENTES Y CARACTERÍSTICAS

Problema	Causas posibles	Soluciones
Las puertas no se cierran completamente o quedan abiertas.	Hay paquetes de alimentos bloqueando la puerta que impiden que se cierre.	Reorganice los envases de alimentos para liberar la puerta y los estantes de la puerta.
	El depósito de hielo, la tapa del cajón para verduras, las bateas, los estantes, las bandejas de las puertas o las cestas no están en su sitio.	Coloque correctamente las bandejas, la tapa del cajón para verduras, las bateas, los estantes y las cestas. Consulte la sección Uso del refrigerador.
	Las puertas se desmontaron durante la instalación del producto y no se volvieron a colocar correctamente.	Desmunte y vuelva a colocar las puertas siguiendo las instrucciones de la sección Desmontaje y sustitución de las manijas y puertas del refrigerador.
	La puerta no está correctamente nivelada.	Consulte el apartado Alineación de la puerta en la sección Instalación del refrigerador para nivelar el refrigerador.
Las puertas se abren con gran dificultad.	Las juntas están sucias o pegajosas.	Limpie las juntas y las superficies de contacto. Aplique una fina capa de cera para electrodomésticos o cera de cocina en las juntas después de limpiarlas.
	La puerta se acaba de cerrar.	Cuando abre la puerta, aire más caliente entra al refrigerador. Al enfriarse, crea el vacío. Si le cuesta abrir la puerta, espere un minuto para permitir que la presión del aire se equalice y, a continuación, compruebe si se abre con más facilidad.
El refrigerador se bambolea o parece inestable.	Las patas niveladoras no están correctamente ajustadas.	Consulte la sección Nivelación y alineación de las puertas.
	El piso no está nivelado.	Puede ser necesario agregar calibradores debajo de las patas o rodillos de nivelación o para completar el proceso de instalación.
Las luces no funcionan.	Falla de iluminación interior LED.	La lámpara del compartimiento del refrigerador es una iluminación interior mediante LED, por lo que el mantenimiento deberá ser realizado por un técnico calificado. Consulte la sección Sustitución de la bombilla.
El interior del refrigerador está cubierto de polvo u hollín.	El refrigerador está ubicado cerca de una fuente de fuego, como por ejemplo un hogar, chimenea o vela.	Asegúrese de que el refrigerador no se encuentre cerca de una fuente de fuego, como por ejemplo un hogar, chimenea o vela.

GARANTÍA LIMITADA

LG ELECTRONICS U.S.A., INC.
LG REFRIGERATOR LIMITED WARRANTY - U.S.A.

AVISO DE ARBITRAJE: ESTA GARANTÍA LIMITADA CONTIENE UNA CLÁUSULA DE ARBITRAJE QUE LE DEMANDA A USTED Y A LG RESOLVER CONFLICTOS A TRAVÉS DE UN ARBITRAJE VINCULANTE EN LUGAR DE HACERLO EN LA CORTE, A MENOS QUE USTED DECIDA NO PARTICIPAR. EN EL ARBITRAJE NO ESTÁN PERMITIDAS LAS ACCIONES COLECTIVAS NI LOS JUICIOS CON JURADO. POR FAVOR, VEA A CONTINUACIÓN LA SECCIÓN TITULADA "PROCEDIMIENTO PARA RESOLVER CONFLICTOS".

En caso de que su refrigerador LG ("Producto") presente alguna falla por defectos de materiales o de fabricación bajo uso apropiado y normal durante el período de garantía establecido más abajo, el mismo será reparado o reemplazado por LG Electrónicos ("LG"), a su opción. Esta garantía limitada es válida únicamente para el comprador final original del producto, y únicamente cuando el producto ha sido comprado y utilizado dentro de los Estados Unidos, incluidos los territorios norteamericanos.

PERÍODO DE GARANTÍA			
Refrigerador/Congelador	Sistema Sellado (Condensador, Filtro desecante, Tubo Conector y Evaporador)	Compresor	
Un (1) año a partir de la fecha original de compra	Cinco (5) años a partir de la fecha original de compra	Cinco (5) años a partir de la fecha original de compra	Sólo Compresor Lineal / Inversor : Partes sólo para los años 6-10 desde la fecha original de compra. (La mano de obra se le cargará al consumidor)
Piezas y mano de obra (solo piezas internas/ funcionales)	Piezas y mano de obra	Piezas y mano de obra	

- Los productos y las piezas de repuesto están garantizados durante el tiempo restante del período original de garantía o noventa (90) días, lo que resulte mayor.
- Los productos y las piezas de repuesto pueden ser nuevos, reparados, reacondicionados, o reconstruidos por la fábrica.
- Es necesario presentar prueba de la compra minorista especificando el modelo del producto y la fecha de compra para obtener el servicio de garantía bajo esta garantía limitada.

Salvo lo prohibido por la ley, toda garantía de comercialización o idoneidad implícita, para un propósito particular en el producto, está limitada a la duración de la garantía arriba expresada. Bajo ninguna circunstancia deberá LG o sus distribuidores/representantes ser responsable por cualquier daño indirecto, incidental, consecuente, especial, o punitivo, lo cual incluye pero no se limita a, pérdida de fondos del comercio, ganancias perdidas, interrupción del trabajo, deterioro de otros bienes, costo de remover y reinstalar el producto, pérdida de uso, o cualquier otro daño ya sea basado en contrato, perjuicio, u otros. La responsabilidad total de LG, en caso exista, no excederá el precio que usted pagó por adquirir el producto.

Algunos estados no permiten la exclusión o limitación de daños incidentales o emergentes, o limitaciones a la duración de la garantía implícita, por lo que la exclusión o limitación anteriormente mencionada podrían no corresponder en su caso. Esta garantía limitada le otorga derechos legales específicos y es posible que usted cuente con otros derechos que varían según el estado.

ESTA GARANTÍA LIMITADA NO CUBRE LO SIGUIENTE:

- Viajes del servicio técnico para entregar, buscar o instalar el producto, instruir al cliente sobre la operación del mismo, corregir el cableado o las reparaciones/instalaciones no autorizadas.
- Daño o fallo del producto al operar durante fallas e interrupciones del suministro eléctrico, o resultado de un servicio eléctrico inadecuado.
- Daños o fallas causadas por tuberías de agua rotas o con fugas, tuberías de agua congeladas, líneas de desagüe restringidas, suministro de agua inadecuado o interrumpido, o suministro de aire inadecuado.
- Daños resultantes de operar el producto en una atmósfera corrosiva o contraria a las instrucciones detalladas en el manual del propietario del producto.
- Daños o fallos del producto causados por accidentes, pestes y alimañas, rayos, viento, incendio, inundaciones, hechos de fuerza mayor, o cualquier otra causa fuera del control de LG.
- Daños o fallas causados por modificaciones o alteraciones no autorizadas, o si se usa para otro fin que no sea el previsto.
- Daños o fallos resultantes de mal uso, abuso, instalación, reparación o mantenimiento incorrectos. Una reparación incorrecta incluye el uso de piezas no autorizadas, aprobadas o especificadas por LG. La instalación o el mantenimiento inadecuado incluye aquellos contrarios a lo especificado en el manual del usuario del producto.
- Daños o fallos causados por corriente o voltaje eléctrico incorrecto, o por códigos de fontanería.
- Daños o fallos causados por el transporte y el manejo, incluye rayas, muescas, astillados y/u otros daños al acabado del producto, a menos que tales daños se informen dentro del plazo de una (1) semana de la entrega.
- Daños o artículos faltantes a productos comprados con descuento, con la caja abierta o que hayan estado en exhibición.
- Productos reacondicionados o cualquier producto vendido con los avisos "En el estado actual", "En el sitio actual", "Con todos sus defectos" o similares.
- Productos cuyos números de serie originales hayan sido retirados, alterados o no se puedan determinar fácilmente.
- Aumentos en los costos de los servicios públicos y otros gastos adicionales de dichos servicios.
- Cualquier ruido asociado con la operación normal.
- Uso de accesorios (Ej, filtros de agua, etc.), componentes o productos de limpieza consumibles que no estén autorizados por LG.
- Reemplazo de focos, filtros o cualquier parte consumible.
- Cuando el producto se use de otra forma que no sea uso doméstico usual y normal (p. ej., uso comercial o industrial, en oficinas e instalaciones recreativas o vehículos) o uso contrario a las instrucciones detalladas en el manual del propietario del producto.
- Costos asociados con el retiro y la reinstalación de su producto para realizar reparaciones.
- Estantes, bandejas de puerta, cajones, manijas y accesorios, a excepción de las partes internas/funcionales cubiertas bajo esta garantía limitada.

El costo de la reparación o el reemplazo en estas circunstancias excluidas estará a cargo del consumidor. PARA OBTENER SERVICIO EN GARANTÍA E INFORMACIÓN ADICIONAL llame al 1-800-243-0000 y seleccione la opción apropiada desde el menú. O visite nuestro sitio web en <http://www.lg.com> O por correo: LG Electronics Customer Service P.O. Box 240007 Huntsville, AL 35813 ATTN: CIC

GARANTÍA LIMITADA

PROCEDIMIENTO PARA RESOLVER CONFLICTOS:

TODOS LOS CONFLICTOS ENTRE USTED Y LG QUE SURJAN FUERA DE O RELACIONADOS DE ALGUNA MANERA CON ESTA GARANTÍA LIMITADA O CON EL PRODUCTO, SE RESOLVERÁN EXCLUSIVAMENTE A TRAVÉS DE UN ARBITRAJE VINCULANTE Y NO EN UNA CORTE DE JURISDICCIÓN GENERAL. ARBITRAJE VINCULANTE SIGNIFICA QUE USTED Y LG RENUNCIAN AL DERECHO DE UN JUICIO CON JURADO Y A REALIZAR O PARTICIPAR EN UNA DEMANDA COLECTIVA.

Definiciones. Para el propósito de esta sección, las referencias a "LG" significan: LG Electronics U.S.A., Inc., sus empresas matrices, subsidiarias y filiales y cada uno de sus directivos, directores, empleados, agentes, beneficiarios, predecesores en interés, sucesores, cesionarios y proveedores; las referencias a "conflicto" o "reclamación" incluirán cualquier conflicto, reclamo o controversia de cualquier tipo, sin importar (ya sea basado en contrato, agravio, estatuto, regulación, ordenanza, fraude, falsa representación o cualquier teoría legal o equitativa) que surja de o esté relacionada con cualquier forma de venta, condición o desempeño del producto o de esta Garantía Limitada.

Aviso de disputa. En caso de que usted desee iniciar un procedimiento de arbitraje, primero debe notificar a LG por escrito al menos 30 días antes de iniciar el arbitraje enviando una carta a LG a LG Electronics, USA, Inc. Atención: Legal Department-Arbitration 1000 Sylvan Ave, Englewood Cliffs 07632. Usted y LG aceptan participar en discusiones de buena fe en un intento de resolver su reclamo de manera amistosa. En la carta debe proporcionar su nombre, dirección y número de teléfono; identificar el producto que es objeto de la reclamación; y describir la naturaleza del reclamo y el remedio que busca. Si usted y LG no pueden resolver la disputa dentro de 30 días, cualquiera de las partes puede proceder a presentar una demanda de arbitraje.

Acuerdo de arbitraje vinculante y renuncia de demanda colectiva. En caso de no resolver la disputa durante el período de 30 días después de enviar una notificación por escrito a LG, Usted y LG se comprometen a resolver cualquier reclamo entre nosotros, solamente a través de arbitraje vinculante sobre una base individual, a menos que usted se excluya, conforme a lo dispuesto a continuación. Cualquier conflicto entre usted y LG no estarán combinados o consolidados con una controversia relacionada con cualquier otro producto o reclamo de otra persona o entidad. Más específicamente y sin perjuicio de lo anterior, no procederá bajo ninguna circunstancia cualquier disputa entre usted y LG como parte de una acción colectiva o representativa. En lugar del arbitraje, cualquiera de las partes podrá iniciar una acción individual en la corte de reclamos menores, pero tales acciones en la corte de reclamos menores no podrán ser realizadas en una acción colectiva o representativa.

Normas y procedimientos de arbitraje. Para comenzar con el arbitraje de un reclamo, usted o LG deben realizar una demanda escrita para arbitraje. El arbitraje será administrado por la Asociación Americana de Arbitraje (AAA) y se llevará a cabo ante un árbitro único bajo las Normas de Arbitraje del Consumidor de la AAA, que tienen efecto al momento de inicio del arbitraje (en adelante "Normas de la AAA") y bajo los procedimientos establecidos en esta sección. Las Normas de la AAA están disponibles en línea en www.adr.org/consumer. Envíe una copia de su solicitud de arbitraje por escrito, así como una copia de esta disposición, a la AAA de la forma descrita en las Normas de la AAA. También debe enviar una copia de su solicitud por escrito a LG en LG Electronics, USA, Inc. Atención: Legal Department-Arbitration 1000 Sylvan Ave, Englewood Cliffs 07632. Si hay un conflicto entre las Normas de la AAA y las reglas establecidas en esta sección, prevalecerán dichas reglas de esta sección. Esta disposición de arbitraje se rige por la Ley Federal de Arbitraje. El juicio se puede introducir en el laudo arbitral en cualquier tribunal de jurisdicción competente. Todos son temas para que el árbitro tome sus decisiones, excepto aquellos asuntos relativos al alcance y aplicabilidad de la cláusula de arbitraje y de la capacidad de arbitraje de la controversia para que el tribunal decida. El árbitro se registrará por los términos de esta disposición.

Legislación vigente. La legislación del estado de su residencia regirá esta Garantía Limitada, así como todas las disputas entre nosotros, salvo que sea invalidada o inconsistente con leyes federales aplicables.

Tarifas / Costos. Usted no debe pagar ninguna tarifa para comenzar un arbitraje. Al recibir su solicitud de arbitraje por escrito, LG pagará todos los gastos administrativos rápidamente a la AAA, a menos que usted solicite más de \$25,000.00 por daños, en cuyo caso el pago de estos gastos se regirá por las Normas de la AAA. Salvo disposición contraria prevista en el presente documento, LG pagará a la AAA todos los gastos documentales, administrativos y de arbitraje para cualquier arbitraje iniciado, de conformidad con las Normas de la AAA y esta disposición de arbitraje. Si usted prevalece en el arbitraje, LG pagará los honorarios y gastos de sus abogados, siempre y cuando sean razonables, considerando factores que incluyen, entre otros, el monto de la compra y el monto del reclamo. No obstante lo anterior, si la ley aplicable permite una adjudicación de honorarios y gastos razonables de abogados, un árbitro puede otorgarlos en la misma medida que lo haría un tribunal. Si el árbitro considera que la sustancia de su reclamo o la reparación solicitada en la demanda es frívola o se utiliza para un propósito inadecuado (calificado según las normas establecidas en la Norma Federal de Procedimiento Civil 11 (b)), el pago de todos los honorarios de arbitraje se regirá por las Normas de la AAA. En tal situación usted se compromete a reembolsar a LG todos los fondos erogados previamente por ella, cuyo pago es, por otra parte, su obligación, según las Normas de la AAA. Salvo disposición contraria, LG renuncia a cualquier derecho que pudiera tener para solicitarle los honorarios y gastos de sus abogados, si LG prevalece en el arbitraje.



Audiencias y ubicación. Si su reclamo es por \$25,000 o menos, usted puede optar que el arbitraje sea realizado únicamente sobre la base de: (1) documentos presentados al árbitro, (2) a través de una audiencia telefónica o (3) por una audiencia en persona, según lo establecido por las Normas de la AAA. Si su reclamo excede \$25,000, el derecho a una audiencia estará determinado por las Normas de la AAA. Cualquier audiencia de arbitraje en persona se realizará en un lugar dentro del distrito judicial federal en el cual resida, a menos que ambos acuerden otra ubicación o estemos de acuerdo con el arbitraje telefónico.

Exclusión. Usted puede quedarse fuera de este procedimiento de resolución de la disputa. Si se excluye, ni usted ni LG pueden solicitar al otro que participe en un procedimiento de arbitraje. Para excluirse usted debe enviar una notificación a LG, en un lapso de hasta 30 días continuos, contados a partir de la fecha de la primera compra del consumidor del producto, ya sea por: (i) el envío de un correo electrónico a optout@lge.com con el siguiente Asunto: "Exclusión del arbitraje" o (ii) llamada al 1-800-980-2973. Debe incluir en el correo electrónico de exclusión o suministrar por teléfono: (a) su nombre y dirección; (b) la fecha en la cual el producto fue comprado; (c) el nombre o el número del modelo del producto; y (d) el número del serial (el número del serial puede ser hallado (i) en el producto, o (ii) en la dirección de <https://www.lg.com/us/support/repair-service/schedule-repair-continued> al hacer clic en "Find My Model & Serial Number").

Sólo puede excluirse del procedimiento de resolución de conflictos en la forma descrita anteriormente (es decir, por correo electrónico o por teléfono); ninguna otra forma de notificación será efectiva para hacerlo. Excluirse de este procedimiento de resolución de controversias no afectará de ninguna manera la cobertura de la Garantía Limitada, por lo que usted continuará disfrutando de todos sus beneficios. Si conserva este producto y no se excluye, usted acepta todos los términos y condiciones de la cláusula de arbitraje descrita anteriormente.

FUNCIONES SMART

Aplicación LG ThinQ

Esta función está solo disponible en los modelos con el logo  o .

La aplicación LG ThinQ le permite comunicarse con el aparato usando un teléfono inteligente.

Características de la aplicación LG ThinQ

Comuníquese con el aparato desde un teléfono inteligente utilizando las cómodas funciones inteligentes.

Smart Diagnosis

- Si sufre algún problema mientras usa la aplicación, esta función smart diagnosis le ayudará a diagnosticar el problema.



NOTA



- El aparato podría verse modificado para realizar mejoras en él sin previo aviso a los usuarios.
- Las funciones pueden variar según el modelo.

Instalación de la aplicación LG ThinQ

Busque la aplicación LG ThinQ en Google Play Store o Apple App Store en un smartphone.

- Siga las instrucciones para descargar e instalar la aplicación.
- Ejecute la aplicación LG ThinQ y siga las instrucciones de la aplicación para registrar el aparato

Smart Diagnosis

Esta función está solo disponible en los modelos con el logo  o .

Use esta función para ayudarle a diagnosticar y solucionar problemas de su aparato.



NOTA

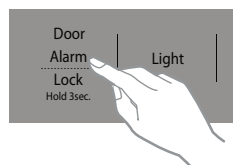
- Por motivos no atribuibles a negligencias de LGE, el servicio podría no funcionar debido a factores externos como, entre otros, no disponibilidad de red Wi-Fi, desconexión de la red Wi-Fi, política local de la tienda de apps, o no disponibilidad de la app.
- La función podría estar sujeta a cambios sin previo aviso y podría presentar una forma diferente dependiendo de dónde se encuentre usted situado.

Uso de diagnóstico audible para diagnosticar problemas

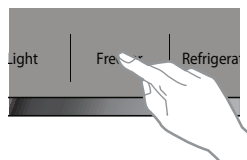
Siga las instrucciones a continuación para usar el método de diagnóstico audible.

- Ejecute la aplicación **LG ThinQ** y seleccione la función Smart Diagnosis en el menú. Siga las instrucciones para diagnóstico audible que se proporcionan en la aplicación **LG ThinQ**.

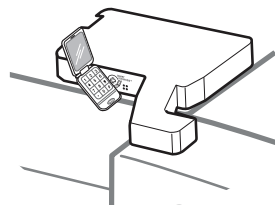
- 1 Cierre las puertas del congelador y el refrigerador, luego mantenga pulsado el botón Lock para activar la función de bloqueo.
 - Si la pantalla ha estado bloqueada durante más de 5 minutos, deberá desactivar el bloqueo y volver a activarlo.



- 2 Pulse y mantenga presione el botón **Freezer** durante 3 segundos o más tiempo.
 - El panel de control se apagará, y luego se mostrará '3' en la parte de la pantalla de la temperatura del refrigerador



- 3 Abra las puertas del refrigerador y luego sostenga el teléfono junto al agujero del altavoz superior derecho.



- 4 Después de que la transferencia de datos haya finalizado, el diagnóstico se mostrará en la aplicación.



NOTA

- Para obtener los mejores resultados posibles, no mueva el teléfono mientras los tonos se están transmitiendo.



LG Customer Information Center

1-800-243-0000 USA, Consumer User
1-888-865-3026 USA, Commercial User
1-888-542-2623 CANADA

Register your Product Online!

www.lg.com