

INSTALLATION INSTRUCTIONS

30" (76.0 CM) FREESTANDING ELECTRIC RANGES

Table of Contents

RANGE SAFETY	1	INSTALLATION INSTRUCTIONS	4
INSTALLATION REQUIREMENTS	2	Unpack Range.....	4
Tools and Parts	2	Install Anti-Tip Bracket	5
Location Requirements	2	Electrical Connection	6
Electrical Requirements	3	Verify Anti-Tip Bracket Location	11
		Level Range.....	11
		Complete Installation.....	11
		Moving the Range	12

RANGE SAFETY

Your safety and the safety of others are very important.

We have provided many important safety messages in this manual and on your appliance. Always read and obey all safety messages.



This is the safety alert symbol.

This symbol alerts you to potential hazards that can kill or hurt you and others.

All safety messages will follow the safety alert symbol and either the word "DANGER" or "WARNING."

These words mean:

⚠ DANGER

You can be killed or seriously injured if you don't immediately follow instructions.

⚠ WARNING

You can be killed or seriously injured if you don't follow instructions.

All safety messages will tell you what the potential hazard is, tell you how to reduce the chance of injury, and tell you what can happen if the instructions are not followed.



⚠ WARNING

Tip Over Hazard

A child or adult can tip the range and be killed.

Connect anti-tip bracket to rear range foot.

Reconnect the anti-tip bracket, if the range is moved.

Failure to follow these instructions can result in death or serious burns to children and adults.

IMPORTANT:

Save for local electrical inspector's use.

INSTALLATION REQUIREMENTS

Tools and Parts

Gather the required tools and parts before starting installation. Read and follow the instructions provided with any tools listed here.

Tools needed

- Tape measure
- Wrench or pliers
- Level
- $\frac{3}{8}$ " nut driver
- Phillips screwdriver
- Drill
- Flat-blade screwdriver
- $\frac{1}{8}$ " (3.2 mm) drill bit

Parts supplied

Check that all parts are included.

- 3 - #10-32 hex nuts (attached to terminal block)
- 3 - Terminal lugs
- 2 or 3 - Oven racks (depending on your model)
- 2 - #12 x $1\frac{1}{8}$ " screws (for mounting anti-tip bracket)
- Anti-tip bracket

Anti-tip bracket must be securely mounted to back wall or floor. Thickness of floor may require longer screws to anchor bracket to subfloor. Longer screws are available from your local hardware store.

Parts needed

If using a power supply cord:

- A UL listed power supply cord kit marked for use with ranges. The cord should be rated at 250 volts minimum, 40 amps or 50 amps that is marked for use with nominal $1\frac{3}{8}$ " (3.5 cm) diameter connection opening and must end in ring terminals or open-end spade terminals with upturned ends.
- A UL listed strain relief.

Check local codes. Check existing electrical supply. See "Electrical Requirements" section.

It is recommended that all electrical connections be made by a licensed, qualified electrical installer.

Location Requirements

IMPORTANT: Observe all governing codes and ordinances.

- It is the installer's responsibility to comply with installation clearances specified on the model/serial rating plate. The model/serial rating plate is located on the right-hand side of the oven frame behind the storage drawer or warming drawer panel.
- The range should be located for convenient use in the kitchen.
- To eliminate the risk of burns or fire by reaching over heated surface units, cabinet storage space located above the surface units should be avoided. If cabinet storage is to be provided, the risk can be reduced by installing a range hood that projects horizontally a minimum of 5" (12.7 cm) beyond the bottom of the cabinets.
- Cabinet opening dimensions that are shown must be used. Given dimensions are minimum clearances.
- The floor anti-tip bracket must be installed. To install the anti-tip bracket shipped with the range, see "Install Anti-Tip Bracket" section.
- Grounded electrical supply is required. See "Electrical Requirements" section.

IMPORTANT: To avoid damage to your cabinets, check with your builder or cabinet supplier to make sure that the materials used will not discolor, delaminate or sustain other damage. This oven has been designed in accordance with the requirements of UL and CSA International and complies with the maximum allowable wood cabinet temperatures of 194°F (90°C).

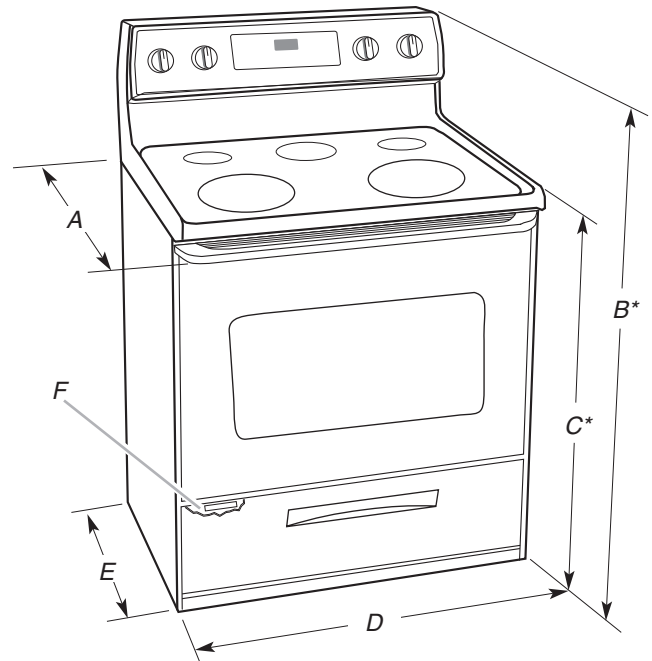
Mobile Home - Additional Installation Requirements

The installation of this range must conform to the Manufactured Home Construction and Safety Standard, Title 24 CFR, Part 3280 (formerly the Federal Standard for Mobile Home Construction and Safety, Title 24, HUD Part 280). When such standard is not applicable, the Standard for Manufactured Home Installations, ANSI A225.1/NFPA 501A or with local codes.

Mobile home installations require:

- When this range is installed in a mobile home, it must be secured to the floor during transit. Any method of securing the range is adequate as long as it conforms to the standards listed above.
- Four-wire power supply cord or cable must be used in a mobile home installation. The appliance wiring will need to be revised. See "Electrical Connection" section.

Product Dimensions



A. 28 $\frac{1}{2}$ " (72.4 cm) to 29" (73.7 cm) depth with handle to backguard standoff (depending on model)

B. 46 $\frac{3}{8}$ " (118.4 cm) to 47 $\frac{1}{4}$ " (120.0 cm) overall height (depending on model)

C. 35 $\frac{3}{8}$ " (90.5 cm) cooktop height (minimum)

D. 29 $\frac{7}{8}$ " (75.9 cm) width

E. 26 $\frac{3}{4}$ " (67.9 cm) depth to backguard standoffs

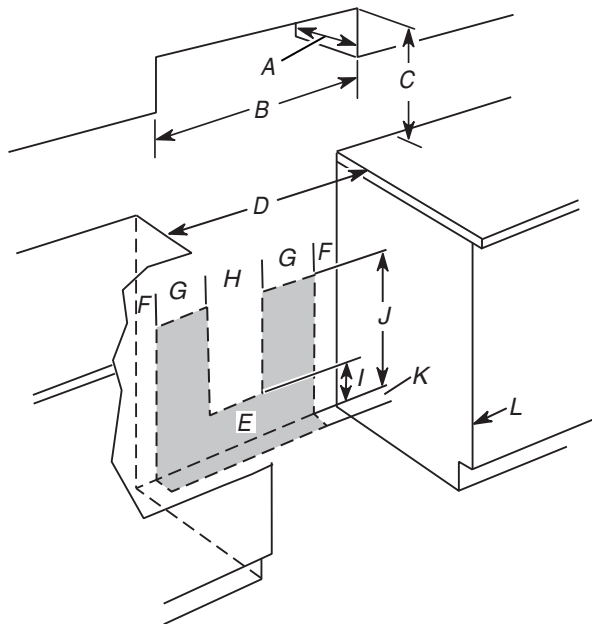
F. Model/serial rating plate (located on the left side frame behind storage or warming drawer panel)

*Range can be raised approximately 1" (2.5 cm) by adjusting the leveling legs.

Cabinet Dimensions

Cabinet opening dimensions shown are for 25" (64.0 cm) countertop depth, 24" (61.0 cm) base cabinet depth and 36" (91.4 cm) countertop height.

IMPORTANT: If installing a range hood or microwave hood combination above the range, follow the range hood or microwave hood combination installation instructions for dimensional clearances above the cooktop surface.



- A. 13" (33.0 cm) upper cabinet depth
- B. 30" (76.2 cm) min. opening width
- C. For minimum clearance to the top of the cooktop, see NOTE*
- D. 30 1/8" (76.5 cm) min. opening width
- E. Junction box in shaded area
- F. 3 5/16" (8.4 cm)
- G. 7" (14.6 cm)
- H. 9 1/2" (24.1 cm)
- I. 7" (14.6 cm)
- J. 22" (55.9 cm)
- K. 3" (7.6 cm)
- L. Cabinet door or hinge should not extend into the cutout.

NOTE: 24" (61.0 cm) minimum when bottom of wood or metal cabinet is covered by not less than 1/4" (0.64 cm) flame retardant millboard covered with not less than No. 28 MSG sheet steel, 0.015" (0.4 mm) stainless steel, 0.024" (0.6 mm) aluminum or 0.020" (0.5 mm) copper.

30" (76.2 cm) minimum clearance between the top of the cooking platform and the bottom of an uncovered wood or metal cabinet.

Electrical Requirements

If codes permit and a separate ground wire is used, it is recommended that a qualified electrical installer determine that the ground path and wire gauge are in accordance with local codes.

Do not use an extension cord.

Be sure that the electrical connection and wire size are adequate and in conformance with the National Electrical Code, ANSI/NFPA 70-latest edition and all local codes and ordinances.

A copy of the above code standards can be obtained from:
National Fire Protection Association
One Batterymarch Park
Quincy, MA 02269.

WARNING: Improper connection of the equipment-grounding conductor can result in a risk of electric shock. Check with a qualified electrician or service technician if you are in doubt as to whether the appliance is properly grounded. Do not modify the power supply cord plug. If it will not fit the outlet, have a proper outlet installed by a qualified electrician.

Electrical Connection

To properly install your range, you must determine the type of electrical connection you will be using and follow the instructions provided for it here.

- Range must be connected to the proper electrical voltage and frequency as specified on the model/serial number rating plate. The model/serial number rating plate is located behind the control panel or on the oven frame behind the storage drawer or warming drawer panel. Refer to the figures in the "Product Dimensions" section of the "Location Requirements" section.
- This range is manufactured with the neutral terminal connected to the cabinet. Use a 3-wire, UL listed, 40- or 50-amp power supply cord (pigtail) (see following Range Rating chart). If local codes do not permit ground through the neutral, use a 4-wire power supply cord rated at 250 volts, 40 or 50 amps and investigated for use with ranges.

Range Rating*	Specified Rating of Power Supply Cord Kit and Circuit Protection		
	120/240 Volts	120/208 Volts	Amps
8.8 - 16.5 KW	7.8 - 12.5 KW	40 or 50**	
16.6 - 22.5 KW	12.6 - 18.5 KW	50	

*The NEC calculated load is less than the total connected load listed on the model/serial rating plate.

**If connecting to a 50-amp circuit, use a 50-amp rated cord with kit. For 50-amp rated cord kits, use kits that specify use with a nominal 1 3/8" (34.9 mm) diameter connection opening.

- A circuit breaker is recommended.
- The range can be connected directly to the circuit breaker box (or fused disconnect) through flexible or nonmetallic sheathed, copper or aluminum cable. See "Electrical Connection."
- Allow 2 to 3 ft (61.0 cm to 91.4 cm) of slack in the line so that the range can be moved if servicing is ever necessary.
- A UL listed conduit connector must be provided at each end of the power supply cable (at the range and at the junction box).
- Wire sizes and connections must conform with the rating of the range.
- The wiring diagram is located on the back of the range in a clear plastic bag.

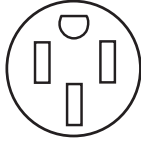
If connecting to a 4-wire system:

This range is manufactured with the ground connected to the neutral by a link. The ground must be revised so the green ground wire of the 4-wire power supply cord is connected to the cabinet. See "Electrical Connection."

Grounding through the neutral conductor is prohibited for new branch-circuit installations (1996 NEC); mobile homes; and recreational vehicles, or an area where local codes prohibit grounding through the neutral conductor.

When a 4-wire receptacle of NEMA Type 14-50R is used, a matching UL listed, 4-wire, 250-volt, 40- or 50-amp, range power supply cord (pigtail) must be used. This cord contains 4 copper conductors with ring terminals or open-end spade terminals with upturned ends, terminating in a NEMA Type 14-50P plug on the supply end.

The fourth (grounding) conductor must be identified by a green or green/yellow cover and the neutral conductor by a white cover. Cord should be Type SRD or SRDT with a UL listed strain relief and be at least 4 ft (1.22 m) long.



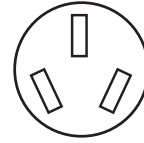
4-wire receptacle (14-50R)

The minimum conductor sized for the copper 4-wire power cord are:

- 40-amp circuit
- 2 No.-8 conductors
- 1 No.-10 white neutral
- 1 No.-8 green grounding

If connecting to a 3-wire system:

Local codes may permit the use of a UL listed, 3-wire, 250-volt, 40- or 50-amp range power supply cord (pigtail). This cord contains 3 copper conductors with ring terminals or open-end spade terminals with upturned ends, terminating in a NEMA Type 10-50P plug on the supply end. Connectors on the appliance end must be provided at the point the power supply cord enters the appliance. This uses a 3-wire receptacle of NEMA Type 10-50R.



3-wire receptacle (10-50R)

INSTALLATION INSTRUCTIONS

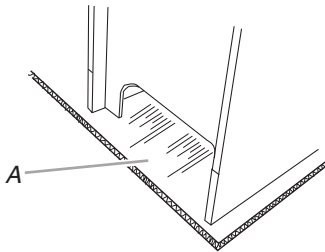
Unpack Range

! WARNING

Excessive Weight Hazard

**Use two or more people to move and install range.
Failure to do so can result in back or other injury.**

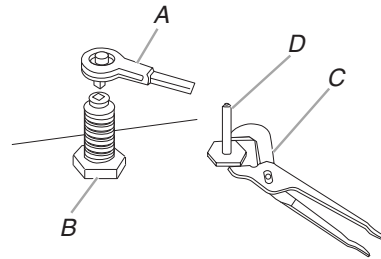
1. Remove shipping materials, tape and film from range.
2. Remove oven racks and parts package from inside oven.
3. Do not remove the shipping base at this time.



A. Shipping base

4. On Ranges Equipped with Storage Drawers:

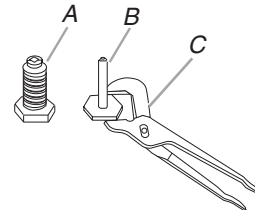
Remove the storage drawer. If a range height adjustment is necessary, use a 1/4" drive ratchet to lower the rear leveling legs one-half turn. Use a wrench or pliers to lower front leveling legs.



- A. 1/4" drive ratchet
- B. Rear leveling leg
- C. Wrench or pliers
- D. Front leveling leg

On Ranges Equipped with Warming Drawers:

If a range height adjustment is necessary, use wrench or pliers to lower the front and rear leveling legs.



- A. Rear leveling leg
- B. Front leveling leg
- C. Wrench or pliers

Install Anti-Tip Bracket

⚠ WARNING



Tip Over Hazard

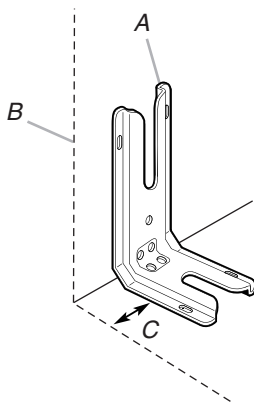
A child or adult can tip the range and be killed.

Connect anti-tip bracket to rear range foot.

Reconnect the anti-tip bracket, if the range is moved.

Failure to follow these instructions can result in death or serious burns to children and adults.

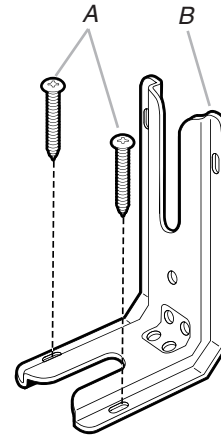
1. Remove the anti-tip bracket that is taped in the storage drawer.
2. Determine which mounting method to use: floor or wall. If you have a stone or masonry floor you can use the wall mounting method.
3. Determine and mark the edge of the range in the cutout space. The mounting bracket can be installed on either the left side or right side of the cutout. Position mounting bracket in cutout so that right (or left) edge of the bracket is $\frac{9}{16}$ " (14.5 mm) from the marked edge of the range, as shown.



A. Anti-tip bracket
B. Mark edge of range.
C. $\frac{9}{16}$ " (14.5 mm)

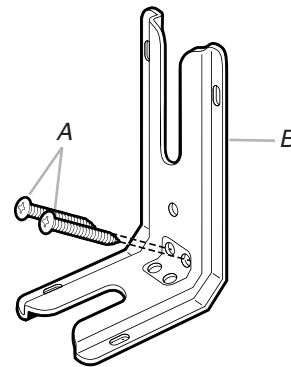
4. Drill two $\frac{1}{8}$ " (3.0 mm) holes that correspond to the bracket holes of the determined mounting method. See the following illustrations.

Floor Mounting



A. #12 x 1 $\frac{1}{8}$ " screws
B. Anti-tip bracket

Wall Mounting



A. #12 x 1 $\frac{1}{8}$ " screws
B. Anti-tip bracket

5. Using the Phillips screwdriver, mount anti-tip bracket to the wall or floor with the two #12 x $\frac{1}{8}$ " screws provided.

Electrical Connection

Power Supply Cord

⚠ WARNING



Electrical Shock Hazard

- Disconnect power before servicing.
- Use a new 40 amp power supply cord.
- Plug into a grounded outlet.
- Failure to follow these instructions can result in death, fire, or electrical shock.

Direct Wire

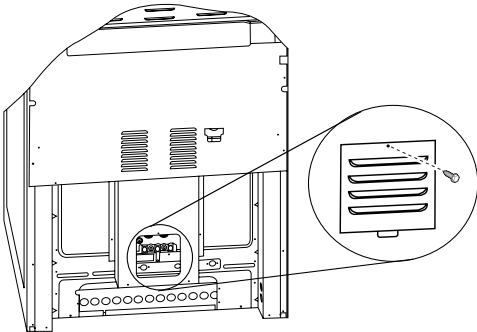
⚠ WARNING



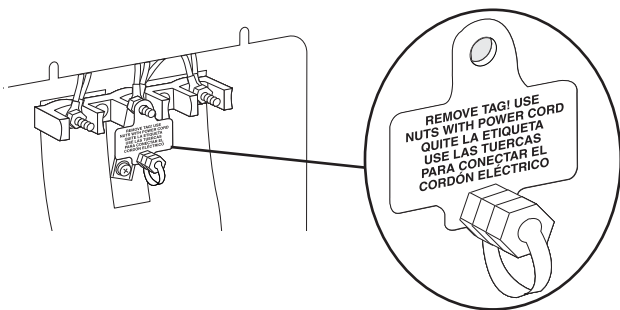
Electrical Shock Hazard

- Disconnect power before servicing.
- Use 8 gauge copper or 6 gauge aluminum wire.
- Electrically ground range.
- Failure to follow these instructions can result in death, fire, or electrical shock.

1. Disconnect power.
2. Use Phillips screwdriver to remove the terminal block cover screw located on the back of the range.



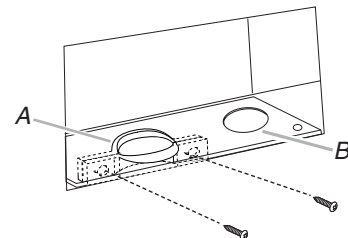
3. Remove plastic tag holding three #10-32 hex nuts from the middle post of the terminal block.



4. Add strain relief.

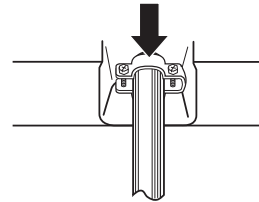
Style 1: Power supply cord strain relief

- Assemble a UL listed strain relief in the opening.



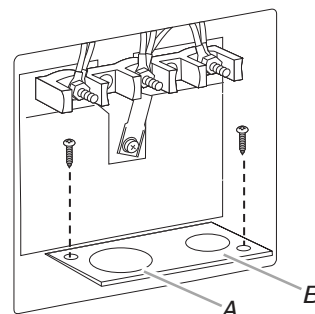
A. UL listed strain relief - large opening
B. Small opening

- Feed the power supply cord through the strain relief on the cord/conduit plate on bottom of range. Allow enough slack to easily attach the wiring to the terminal block.
- Tighten strain relief screw against the power supply cord.



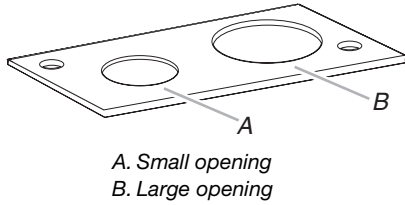
Style 2: Direct wire strain relief

- Use Phillips screwdriver to remove screws and rotate/ conduit plate 180°.

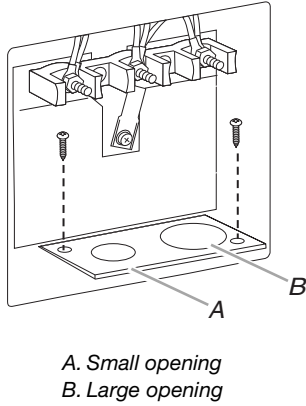


A. Large opening
B. Small opening

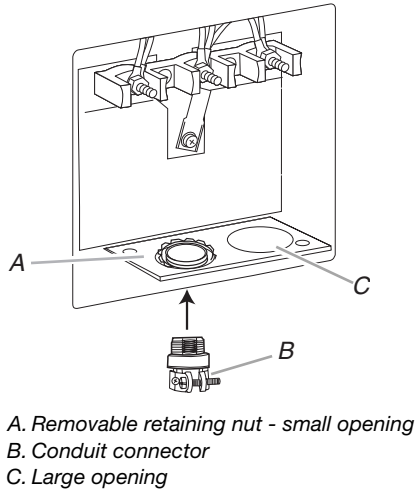
- Position cord/conduit plate as shown in the following illustration.



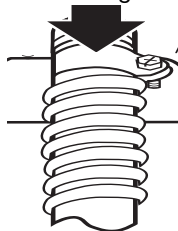
- Replace cord/conduit plate and insert screws.



- Assemble a UL listed conduit connector in the opening.



- Feed the flexible conduit through the strain relief, allowing enough slack to easily attach wiring to the terminal block.
- Tighten strain relief screw against the flexible conduit.



- Replace back panel and screws on rear of range.
- Complete installation following instructions for your type of electrical connection:
 - 4-wire** (recommended)
 - 3-wire** (if 4-wire is not available)

Electrical Connection Options

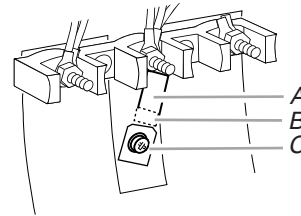
If your home has:	And you will be connecting to:	Go to Section:
4-wire receptacle (NEMA type 14-50R)	A UL listed, 250-volt minimum, 40-amp, range power supply cord	4-wire connection: Power supply cord
4-wire direct	A fused disconnect or circuit breaker box	4-wire connection: Direct wire
3-wire receptacle (NEMA type 10-50R)	A UL listed, 250-volt minimum, 40-amp, range power supply cord	3-wire connection: Power supply cord
3-wire direct	A fused disconnect or circuit breaker box	3-wire connection: Direct wire

4-wire connection: Power Supply Cord

Use this method for:

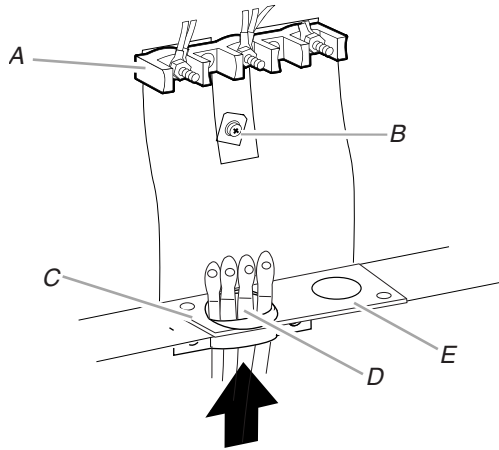
- New branch-circuit installations (1996 NEC)
- Mobile homes
- Recreational vehicles
- In an area where local codes prohibit grounding through the neutral

- Part of metal ground strap must be cut out and removed.



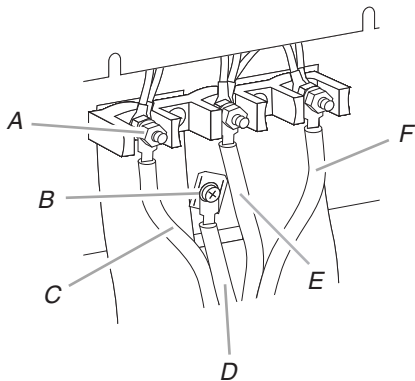
- Use Phillips screwdriver to remove the ground-link screw from the back of the range. Save the ground-link screw and the end of the ground link under the screw.

3. Feed the power supply cord through the strain relief on the cord/conduit plate on bottom of range. Allow enough slack to easily attach the wiring to the terminal block.



A. Terminal block
 B. Ground-link screw
 C. Cord/conduit plate
 D. Power supply cord wires - large opening
 E. Small opening

4. Use Phillips screwdriver to connect the green ground wire from the power supply cord to the range with the ground-link screw. The ground wire must be attached first.
5. Use $\frac{3}{8}$ " nut driver to connect the neutral (white) wire to the center terminal block post with one of the #10-32 hex nuts.



A. #10-32 hex nut
 B. Ground-link screw
 C. Line 1 (black)
 D. Green ground wire
 E. Neutral (center) wire
 F. Line 2 (red)

6. Connect line 1 (black) and line 2 (red) wires to the outer terminal block posts with #10-32 hex nuts.
7. Securely tighten hex nuts.

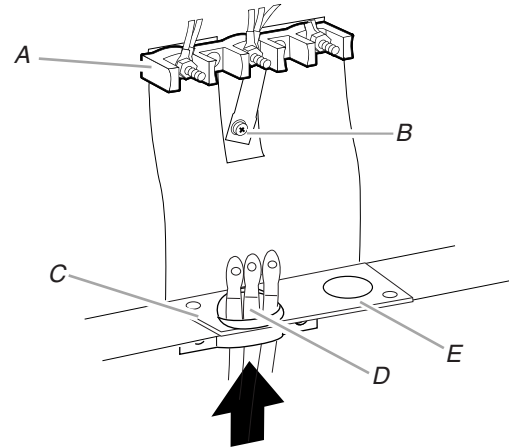
NOTE: For power supply cord replacement, only use a power cord rated at 250 volts minimum, 40 amps or 50 amps that is marked for use with nominal $1\frac{3}{8}$ " (3.5 cm) diameter connection opening, with ring terminals and marked for use with ranges.

8. Replace terminal block access cover.

3-wire connection: Power Supply Cord

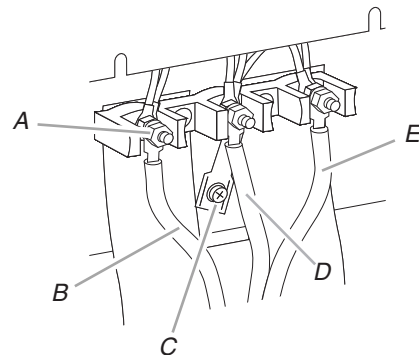
Use this method only if local codes permit connecting chassis ground conductor to neutral wire of power supply cord.

1. Feed the power supply cord through the strain relief on the cord/conduit plate on bottom of range. Allow enough slack to easily attach the wiring to the terminal block.



A. Terminal block
 B. Ground-link screw
 C. Cord/conduit plate
 D. Power supply cord wires - large opening
 E. Small opening

2. Use $\frac{3}{8}$ " nut driver to connect the neutral (white) wire to the center terminal block post with one of the #10-32 hex nuts.



A. #10-32 hex nut
 B. Line 1 (black)
 C. Ground-link screw
 D. Neutral (white) wire
 E. Line 2 (red)

3. Connect line 1 (black) and line 2 (red) wires to the outer terminal block posts with #10-32 hex nuts.
4. Securely tighten hex nuts.

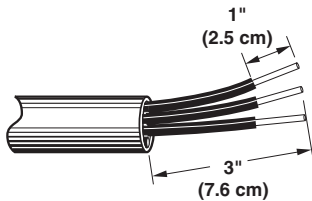
NOTE: For power supply cord replacement, only use a power cord rated at 250 volts minimum, 40 amps or 50 amps that is marked for use with nominal $1\frac{3}{8}$ " (3.5 cm) diameter connection opening, with ring terminals and marked for use with ranges.

5. Replace terminal block access cover.

Direct Wire Installation: Copper or Aluminum Wire

This range may be connected directly to the fuse disconnect or circuit breaker box. Depending on your electrical supply, make the required 3-wire or 4-wire connection.

1. Strip outer covering back 3" (7.6 cm) to expose wires. Strip the insulation back 1" (2.5 cm) from the end of each wire.



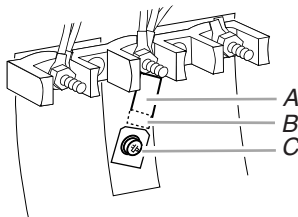
2. Allow enough slack in the wire to easily attach the wiring terminal block.
3. Complete electrical connection according to your type of electrical supply (4-wire or 3-wire connection).

4-wire Connection: Direct Wire

Use this method for:

- New branch-circuit installations (1996 NEC)
- Mobile homes
- Recreational vehicles
- In an area where local codes prohibit grounding through the neutral

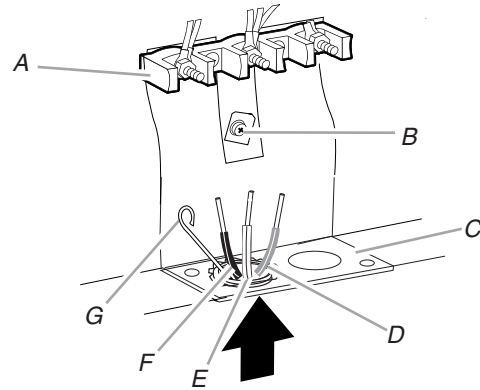
1. Part of metal ground strap must be cut out and removed.



A. Metal ground strap
B. Discard
C. Ground-link screw

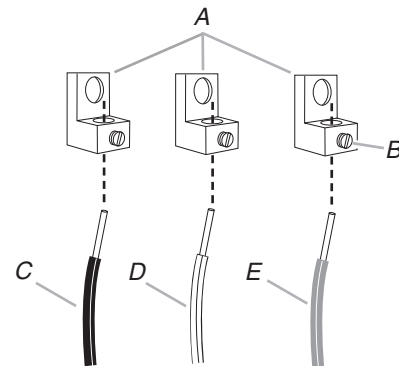
2. Use Phillips screwdriver to remove the ground-link screw from the back of the range. Save the ground-link screw and the end of the ground link under the screw.

3. Pull the conduit through the strain relief on cord/conduit plate on bottom of range. Allow enough slack to easily attach wiring to the terminal block.



A. Terminal block
B. Ground-link screw
C. Cord/conduit plate
D. Line 2 (red) wire
E. Neutral (white) wire
F. Line 1 (black) wire
G. Bare (green) ground wire

4. Attach terminal lugs to line 1 (black), neutral (white), and line 2 (red) wires. Loosen (do not remove) the set screw on the front of the terminal lug and insert exposed wire end through bottom of terminal lugs. Securely tighten set screw to torque as shown in the following Bare Wire Torque Specifications chart.



A. Terminal lug
B. Set screw
C. Line 1 (black) wire
D. Neutral (white) wire
E. Line 2 (red) wire

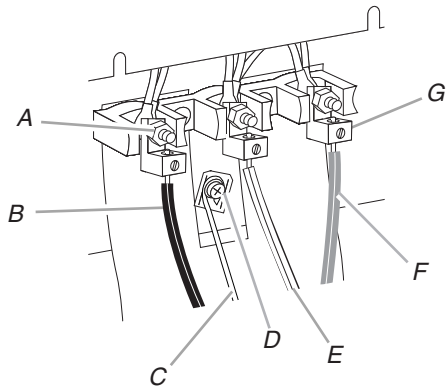
Bare Wire Torque Specifications

Attaching terminal lugs to the terminal block - 20 lbs-in. (2.3 N-m)

Wire Awg	Torque
8 gauge copper	25 lbs-in. (2.8 N-m)
6 gauge aluminum	35 lbs-in. (4.0 N-m)

5. Use Phillips screwdriver to connect the bare (green) ground wire to the range with the ground-link screw. The ground wire must be attached first and must not contact any other terminal.

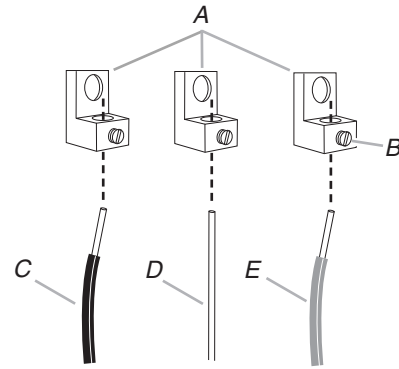
- Use $\frac{3}{8}$ " nut driver to connect the neutral (white) wire to the center terminal block post with one of the #10-32 hex nuts.



- A. #10-32 hex nut
- B. Line 1 (black)
- C. Bare (green) ground wire
- D. Ground-link screw
- E. Neutral (white) wire
- F. Line 2 (red)
- G. Terminal lug

- Connect line 1 (black) and line 2 (red) wires to the outer terminal block posts with #10-32 hex nuts.
- Securely tighten hex nuts.
- Replace terminal block access cover.

- Attach terminal lugs to line 1 (black), bare (green) ground, and line 2 (red) wires. Loosen (do not remove) the set screw on the front of the terminal lug and insert exposed wire end through bottom of terminal lugs. Securely tighten set screw to torque as shown in the following Bare Wire Torque Specifications chart.

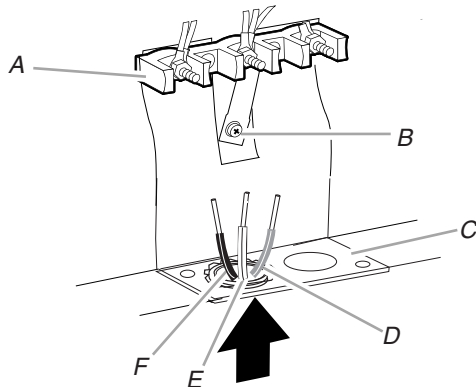


- A. Terminal lug
- B. Set screw
- C. Line 1 (black) wire
- D. Bare (green) ground wire
- E. Line 2 (red) wire

3-wire connection: Direct Wire

Use this method only if local codes permit connecting ground conductor to neutral supply wire.

- Pull the conduit through the strain relief on cord/conduit plate on bottom of range. Allow enough slack to easily attach the wiring to the terminal block.



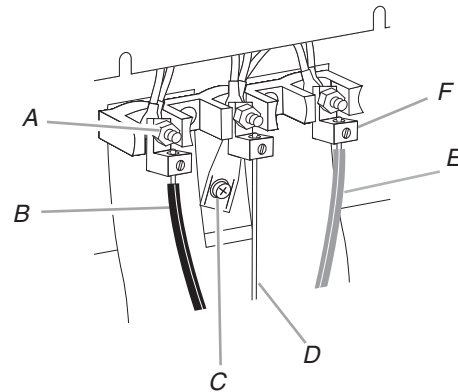
- A. Terminal block
- B. Ground-link screw
- C. Cord/conduit plate
- D. Line 2 (red) wire
- E. Bare (green) ground wire
- F. Line 1 (black) wire

Bare Wire Torque Specifications

Attaching terminal lugs to the terminal block - 20 lbs-in. (2.3 N-m)

Wire Awg	Torque
8 gauge copper	25 lbs-in. (2.8 N-m)
6 gauge aluminum	35 lbs-in. (4.0 N-m)

- Use $\frac{3}{8}$ " nut driver to connect the bare (green) ground wire to the center terminal block post with one of the #10-32 hex nuts.



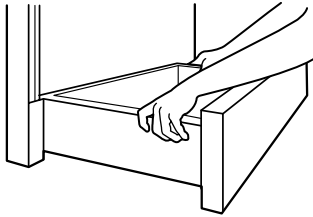
- A. #10-32 hex nut
- B. Line 1 (black)
- C. Ground-link screw
- D. Bare (green) ground wire
- E. Line 2 (red)
- F. Terminal lug

- Connect line 1 (black) and line 2 (red) wires to the outer terminal block posts with #10-32 hex nuts.
- Securely tighten hex nuts.
- Replace terminal block access cover.

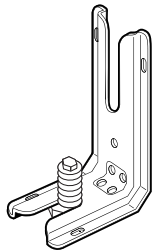
Verify Anti-Tip Bracket Location

1. On models with a storage drawer, pull drawer open to first stop position. Lift front of drawer to clear white wheels in drawer guides. Remove drawer and set it aside on a covered surface.

On models with a warming drawer, the rear leg cannot be seen by removing the warming drawer. It will be necessary to view the rear foot from outside the range.

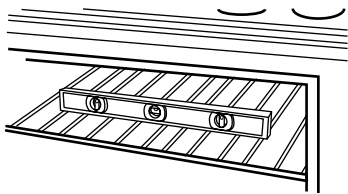


2. To check that the anti-tip bracket is installed, use a flashlight and look underneath the bottom of the range.
 - Look for the anti-tip bracket securely attached to floor.
 - Slide range back so rear range foot is under anti-tip bracket.



Level Range

1. Place rack in oven.
2. Place level on rack and check levelness of range, first side to side; then front to back.



3. If range is not level, pull range forward until rear leveling leg is removed from the anti-tip bracket.

On Ranges Equipped with Storage Drawers:

Use a 1/4" drive ratchet, wrench or pliers to adjust leveling legs up or down until the range is level. Push range back into position. Check that rear leveling leg is engaged in anti-tip bracket.

On Ranges Equipped with Warming Drawers:

Use a wrench or pliers to adjust leveling legs up or down until the range is level. Push range back into position. Check that rear leveling leg is engaged in anti-tip bracket.

NOTE: Range must be level for satisfactory baking performance.

4. Replace the storage drawer (or warming drawer on some models).

Complete Installation

1. Check that all parts are now installed. If there is an extra part, go back through the steps to see which step was skipped.
2. Check that you have all of your tools.
3. Dispose of/recycle all packaging materials.
4. Check that the range is level. See "Level Range."
5. Use a mild solution of liquid household cleaner and warm water to remove waxy residue caused by shipping material. Dry thoroughly with a soft cloth. For more information, read the "Range Care" section of the Use and Care Guide.
6. Read "Range Use" in the range Use and Care Guide.
7. Plug power cord into appropriate outlet. Slide range into its final location. Check that the flexible conduit or power supply cord are not bent.
8. Replace storage drawer (warming drawer on some models).
9. Turn power on. Turn on surface burners and oven. See the Use and Care Guide for specific instruction on range operation.

If range does not operate, check the following:

- Household fuse is intact and tight; or circuit breaker has not tripped.
- Range is plugged into an outlet.
- Electrical supply is connected.
- See "Troubleshooting" in the Use and Care Guide.

When the range has been on for 5 minutes, check for heat. If range is cold, turn off the range and contact a qualified technician.

If you need Assistance or Service:

Please reference the "Assistance or Service" section of the Use and Care Guide or contact the dealer from whom you purchased your range.

Moving the Range

⚠ WARNING



Tip Over Hazard

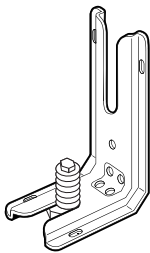
A child or adult can tip the range and be killed.
Connect anti-tip bracket to rear range foot.
Reconnect the anti-tip bracket, if the range is moved.
Failure to follow these instructions can result in death or serious burns to children and adults.

When moving range, slide range onto cardboard or hardboard to avoid damaging the floor covering.

If removing the range is necessary for cleaning or maintenance:

For power supply cord-connected ranges:

1. Slide range forward.
2. Unplug the power supply cord.
3. Complete cleaning or maintenance.
4. Plug in power supply cord.
5. To check that anti-tip bracket is installed, use a flashlight and look underneath the bottom of the range:
 - Look for the anti-tip bracket securely attached to floor or wall.
 - Slide range back so rear range foot is under anti-tip bracket.



6. Check that range is level.

For direct-wired ranges:

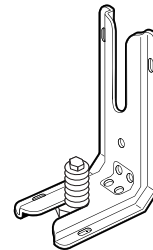
⚠ WARNING



Electrical Shock Hazard

Disconnect power before servicing.
Replace all parts and panels before operating.
Failure to do so can result in death or electrical shock.

1. Disconnect power.
2. Slide range forward.
3. Complete cleaning or maintenance.
4. To check that anti-tip bracket is installed, use a flashlight and look underneath the bottom of the range:
 - Look for the anti-tip bracket securely attached to floor or wall.
 - Slide range back so rear range foot is under anti-tip bracket.



5. Check that range is level.
6. Reconnect power.