

## Induction Cooktop: SCH2443GB, SCH3043GB INSTALLATION MANUAL

### SPECIAL WARNING

- **INSTALLATION AND SERVICE MUST BE PERFORMED BY A QUALIFIED INSTALLER.**
- **IMPORTANT: SAVE THIS INSTALLATION MANUAL FOR LOCAL ELECTRICAL INSPECTOR'S USE.**
- **READ AND SAVE THESE INSTRUCTIONS FOR FUTURE REFERENCE.**

### IMPORTANT NOTES TO THE INSTALLER

- Read the entire Installation Manual before installing the Induction Cooktop.
- Remove all packing material before connecting the electrical supply.
- Observe all governing codes and ordinances.
- Be sure to leave these instructions with the consumer.
- All cooktops must be hard wired (direct wired) into an approved junction box. A plug-in outlet is not permitted on these products.

### IMPORTANT SAFETY INSTRUCTIONS

**▲WARNING** Failure to follow the safety and installation instructions in this manual may result in fire or electric shock that could cause property damage, personal injury or death.

**▲WARNING** Never leave children alone or unattended in the area where a cooktop is in use.

**▲WARNING** Stepping, leaning or sitting on the cooktop may result in serious injury and damage to the cooktop.

**▲WARNING** Do not store or use gasoline or other flammable vapors and liquids in the vicinity of this or any other appliance.

**▲WARNING** Cabinets located above the radiant unit may burn or ignite due to overheating. Reduce the risk of burns and fire by installing a range hood that protects horizontally at a minimum of 5 inches below the bottom of the cabinets.

**▲CAUTION** Provide sufficient space around the cooking area to prevent accidents and achieve optimal ventilation.

### IMPORTANT INSTALLATION INFORMATION

- Dimensions shown on page 3 and 4 must be used. Given dimensions provide minimum clearance.
- Contact surface must be solid and level.
- The approximate location of the junction box should be a minimum of 12" (30.5 cm) below the cooktop. See Figure 5.
- Your cooktop can be installed into a countertop by itself, above a gas or electric wall oven, above a microwave drawer or above a convection microwave drawer.
- All induction cooktops run off a single phase, three-wire cable, 208/240V/30A 60Hz, AC only electrical supply with ground. Minimum distance between cooktop and overhead cabinetry is 30".

### PART INCLUDED

PARTS	QTY.
Cushion Tape # PCUSGB125MRP0 77 cm x 6 mm x 2 mm	2
Cushion Tape # PCUSGB126MRP0 54 cm x 6 mm x 2 mm	2

### BEFORE INSTALLING THE COOKTOP

1. Visually inspect the cooktop for damage. Ensure all cooktop screws are on tight.
2. Record the model and serial number as found on the bottom of your cooktop. When ordering parts for or making inquiries about your cooktop, always be sure to include the model and serial numbers and a lot number or letter from the serial plate on your cooktop.
3. Prepare the cutout dimensions of the countertop.
4. Make sure the wall coverings, countertop and cabinets around the cooktop can withstand heat (up to 200°F) generated by the cooktop. It is very important to allow sufficient space under the cooktop. If under the cooktop has insufficient space, the temperature may become too high and affect performance. See Figure 6.
5. Apply the included cushion tape around the outer edge of the glass on all four sides. Do not overlap the tape. See Figure 1.
6. Gently lower the cooktop into the countertop cutout.

**NOTE:** Do not seal the cooktop to the countertop. The cooktop must be removable if service is necessary. Remove all packaging labels and protective film before operating the induction cooktop.

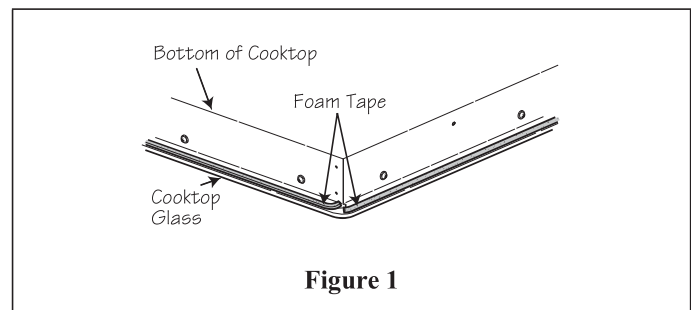


Figure 1

# ELECTRICAL CONNECTION

The Induction Cooktop must connect to a separate, single phase, AC only electrical supply with its own circuit breaker. This appliance must be installed in accordance with National Electrical Codes, as well as all state, municipal and local codes. This appliance must be supplied with the proper voltage and frequency and amperage, which is protected by a properly sized circuit breaker or time delay fuse.

**IMPORTANT: The cable from the appliance is equipped with 3-wire.**

- Use the 3-wire cable from Home Power Supply where local codes permit a 3-wire connection. Refer to Figure 2.
- Use the 4-wire cable from Home Power Supply where local codes do not allow grounding through neutral. Refer to Figure 3.

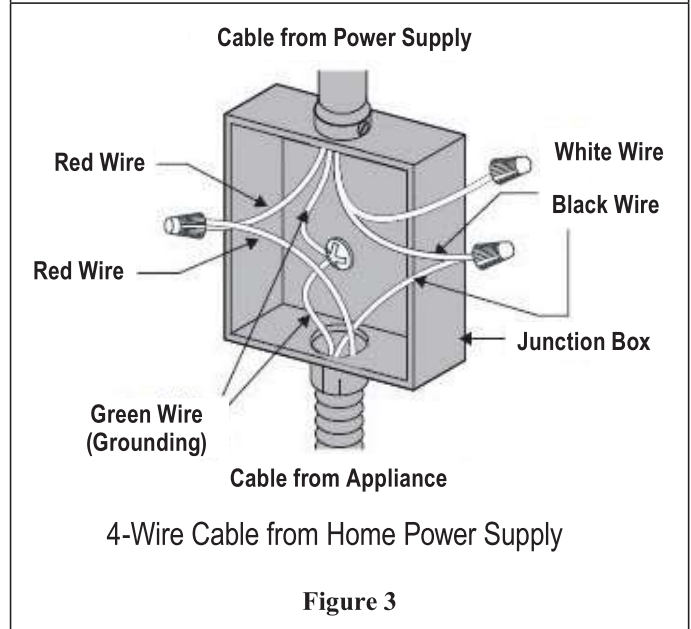
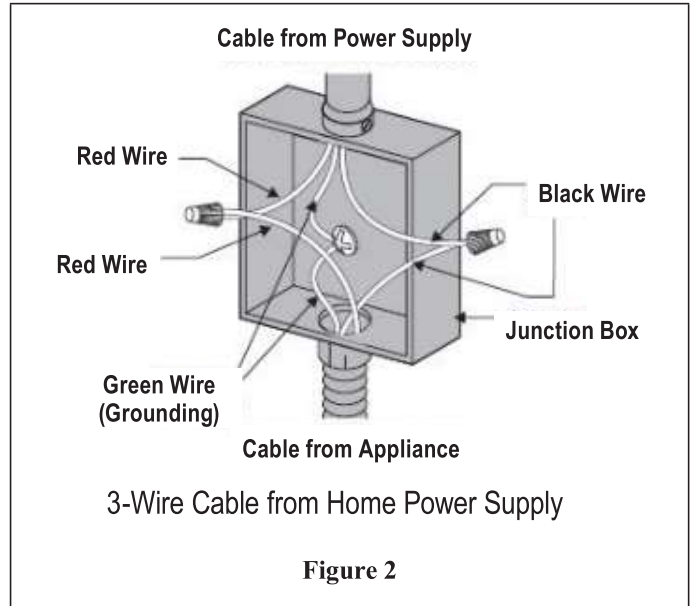
## CONNECT TO A POWER SUPPLY CABLE ELECTRICAL SYSTEM

1. Disconnect the power supply.
2. In the circuit breaker, fuse box or junction box, connect appliance and power supply cable wires as shown in the right column.
3. Circuit breaker fuse rating must be above 40 A, and wire should be 2/8 or 3/8 copper.
4. Minimum acceptable size of conductors is no less than 10AWG, copper only, and with a minimum temperature rating of 167°F.
5. Wire-binding screws or studs may be used with 10AWG conductors.

**⚠WARNING** The electrical power to the cooktop must be shut off while making line connections. Failure to do so could result in serious injury or death.

**⚠WARNING** Never use an extension cord with this appliance, as it may result in a fire, electrical shock or other personal injury.

**⚠WARNING** The cooktop conduit wiring is approved for copper wire connection only. If you have aluminum house wiring, use only special connectors approved for joining copper and aluminum wires and which conform with local codes and ordinances. Follow the electrical connector manufacturer's recommended procedure closely.



**IMPORTANT: Save this information for the local electrical inspector's use.**

# INSTALLATION – 30" MODEL SCH3043GB

## COOKTOP AND CUTOUT DIMENSIONS

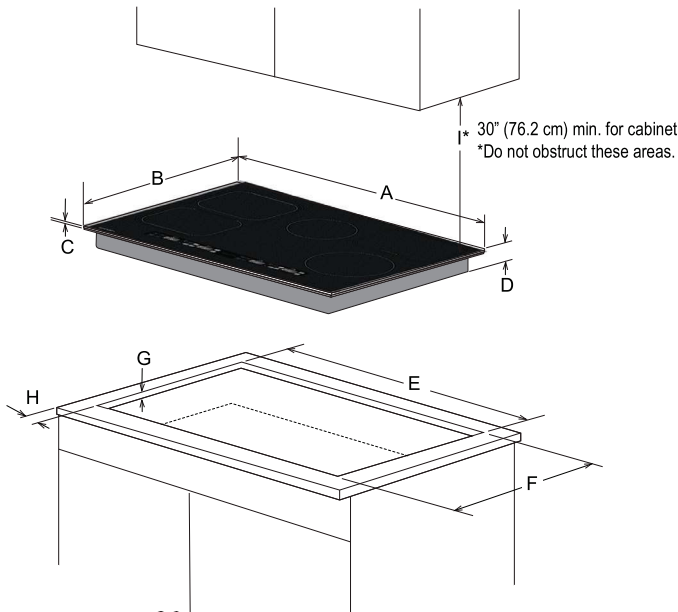


Figure 4

- A. 30" (76.2 cm)
- B. 21" (53.3 cm)
- C.  $\frac{3}{16}$ " (5 mm)
- D.  $2\frac{11}{16}$ " (6.8 cm)
- E.  $29\frac{3}{16}$ " (74.1 cm)
- F.  $19\frac{5}{8}$ " (49.8 cm)
- G. Minimum:  $\frac{13}{32}$ " (10 mm)  
Maximum:  $\frac{25}{32}$ " (20 mm)
- H. Minimum: 2" (5.1 cm)
- I. Minimum: 30" (76.2 cm)

## COOKTOP CUTOUT OPENING DIMENSIONS

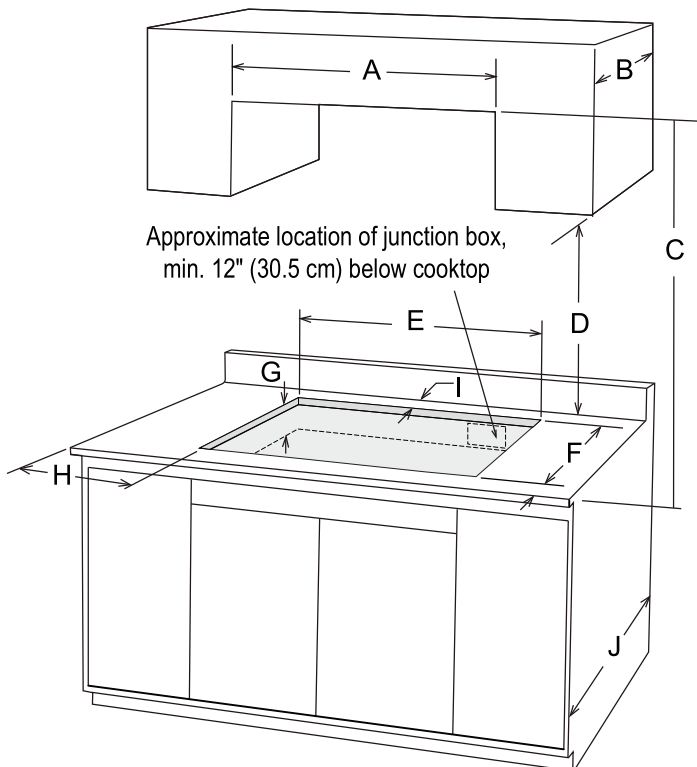


Figure 5

- A. 30" (76.2 cm)
- B. 13" (33 cm)
- C. Minimum: 30" (76.2 cm) to unprotected wood
- D. 18" (45.7 cm)
- E.  $29\frac{3}{16}$ " (74.1 cm)
- F.  $19\frac{5}{8}$ " (49.8 cm)
- G.  $4\frac{1}{2}$ " (11.4 cm)
- H. Minimum: 2" (5.1 cm)
- I. Minimum:  $1\frac{1}{2}$ " (3.8 cm)
- J. 24" (61 cm)

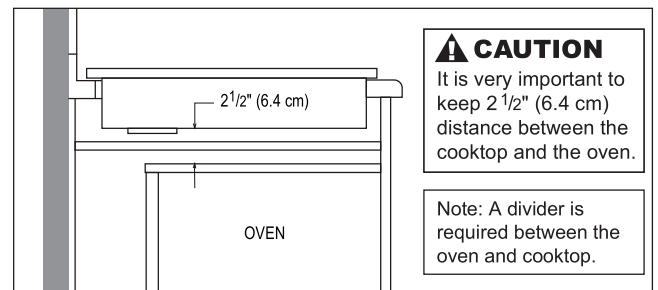
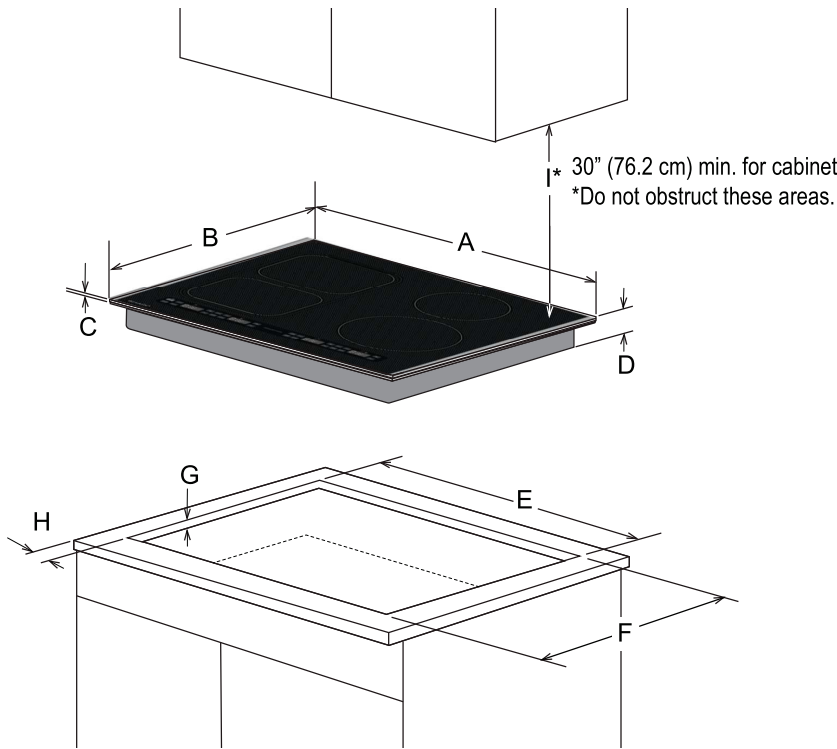


Figure 6

# INSTALLATION – 24" MODEL SCH2443GB

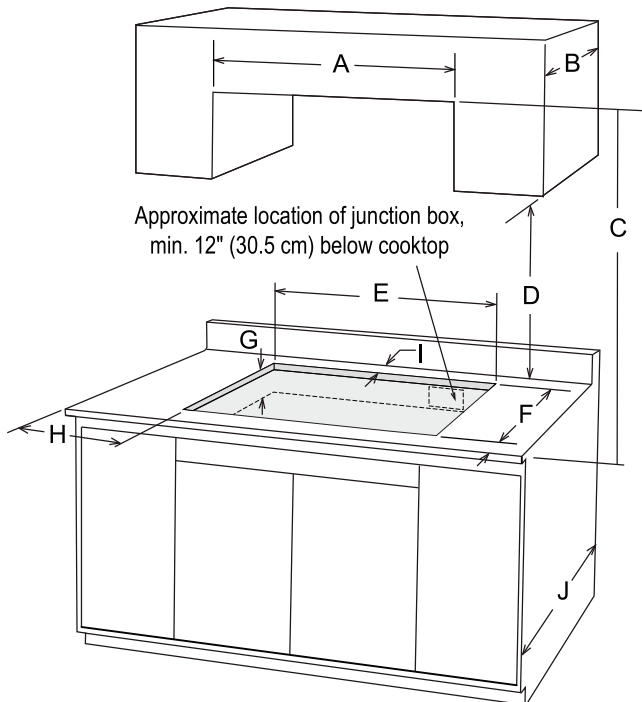
## COOKTOP AND CUTOUT DIMENSIONS



- A. 24" (61 cm)
- B. 21" (53.3 cm)
- C.  $\frac{3}{16}$ " (5 mm)
- D.  $2\frac{11}{16}$ " (6.8 cm)
- E.  $22\frac{7}{16}$ " (56.7 cm)
- F.  $19\frac{5}{8}$ " (49.8 cm)
- G. Minimum:  $\frac{13}{32}$ " (1 cm)  
Maximum:  $\frac{25}{32}$ " (2 cm)
- H. Minimum: 2" (5.1 cm)
- I. Minimum: 30" (76.2 cm)

Figure 7

## COOKTOP CUTOUT OPENING DIMENSIONS



- A. 24" (61 cm)
- B. 13" (33 cm)
- C. Minimum: 30" (76.2 cm) to unprotected wood
- D. 18" (45.7 cm)
- E.  $22\frac{7}{16}$ " (56.7 cm)
- F.  $19\frac{5}{8}$ " (49.8 cm)
- G. Minimum:  $4\frac{1}{2}$ " (11.4 cm)
- H. Minimum: 2" (5.1 cm)
- I. Minimum: 2" (5.1 cm)
- J. 24" (61 cm)

Figure 8

# AFTER INSTALLATION

---

1. Remove all packaging labels and protective film before operating the cooktop.
2. Clean cooktop before use. Dry with a soft cloth. See Cleaning and Care in the operation manual for reference.
3. Read USING THE COOKTOP in the operation manual.
4. Turn on the power to the cooktop.
5. Verify all functions operate properly.

**NOTE:** If the cooktop does not operate, first check to see if the circuit breaker has tripped or a fuse has blown.

For more information, see Before You Call for Service in the operation manual. Contact us at 1-800-BE-SHARP for assistance or service.

**SHARP**<sup>®</sup>

**SHARP ELECTRONICS CORPORATION** • 100 Paragon Drive • Montvale, New Jersey 07645 • USA  
**SHARP ELECTRONICS OF CANADA LTD** • 335 Britannia Road East • Mississauga, Ontario • L4Z 1W9 • Canada