

# *Silhouette* SELECT®

**BUILT IN ICE MAKER  
MACHINE À GLAÇONS  
EQUIPO PARA FABRICAR HIELO**

**OWNER'S USE AND CARE GUIDE  
GUIDE D'UTILISATION ET SOIN DE PROPRIÉTAIRE  
GUÍA DEL PROPIETARIO PARA UTILIZAR Y CUIDAR**

**MODEL • MODÈLE • MODELO  
DIM3225BLSST**

- *SEE SEPARATE INSTALLATION INSTRUCTIONS*
- *VOIR LES CONSIGNES D'INSTALLATION SÉPARÉES*
- *VEA LAS INSTRUCCIONES DE INSTALACIÓN APARTE*



# Silhouette SELECT®

TO OBTAIN WARRANTY SERVICE YOU MUST PROVIDE A VALID PROOF OF PURCHASE. PLEASE STAPLE YOUR RECEIPT TO THIS PAGE FOR FUTURE REFERENCE.

---

POUR OBTENIR LE SERVICE SUR GARANTIE VOUS DEVEZ FOURNIR UNE PREUVE D'ACHAT VALIDE. S'IL VOUS PLAÎT AGRAFE VOTRE REÇU A CETTE PAGE POUR LA REFERENCE FUTURE.

---

PARA OBTENER SERVICIO DE GARANTÍA, DEBE PROVEER UN RECIBO ORIGINAL. POR FAVOR ENGRAPE SU RECIBO A ÉSTA PÁGINA EN CASO QUE NECESITE HACER UN RECLAMO.

## **IMPORTANT**

This machine is intended to produce ice only. It is not intended for the long-term storage of ice. Move any excess ice into a freezer for long-term storage (>6 hours) if you desire to keep it. Ice that is left to sit in the bucket will melt over time.

## **IMPORTANT**

Cette machine a été conçue pour produire de la glace seulement. Elle ne doit pas être utilisée pour stocker de la glace à long terme. Déplacez la glace en surplus dans un congélateur pour un stockage à long terme (>6 heures) si vous désirez la garder. La glace qui reste dans le seau fondra.

## **IMPORTANTE**

Esta máquina está diseñada para producir solamente hielo. No está diseñada para almacenar hielo a largo plazo. Traslade el hielo sobrante a un congelador para almacenarlo a largo plazo (más de 6 horas) si desea conservarlo. El hielo que quede en la cubeta se derretirá con el tiempo.

# TABLE OF CONTENTS

## English

Important Safeguards.....	1
Grounding Instructions.....	1
Operating Instructions.....	2-3
Care and Maintenance.....	4-5
Troubleshooting.....	6-7
Warranty .....	8

## Français

Consignes de sécurité importantes.....	9
Mise à la terre .....	9
Instructions d'utilisation.....	10-11
Soins et entretien .....	12-13
Dépannage .....	14-15
Garantie .....	16

## Español

Instrucciones de Seguridad Importantes.....	17
Instrucciones de la Puesta a Tierra.....	17
Instrucciones de Funcionamiento.....	18-19
Limpieza y Mantenimiento.....	20-21
Solucion Sugeridad.....	22-23
Garantía .....	24

### CAUTION

Read and follow all safety rules and operating instructions before first use of this product.

### PRÉCAUTION

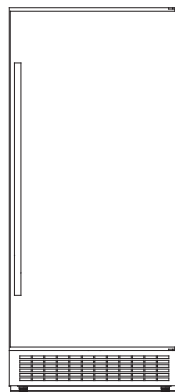
Veillez lire attentivement les consignes de sécurité et les instructions d'utilisation avant l'utilisation initiale de ce produit.

### PRECAUCIÓN

Lea y observe todas las reglas de seguridad y las instrucciones de operación antes de usar este producto por primera vez.

Volts / Hertz / Amps / Watts	115V	60Hz	2.6A	240W
Volts / Hertz / Ampères / Watts	115V	60Hz	2.6A	240W
Volts / Hertz / Amperios / Vatios	115V	60Hz	2.6A	240W

- Makes up to 32LBS daily / Ice box capacity is 25LBS
- Produit jusqu'à 32 lb par jour/capacité de la glacière de 25 lb
- Produce hasta 32 lb al día / La capacidad de la caja de hielo es de 25 lb



Model • Modèle • Modelo  
DIM3225BLSST

# IMPORTANT SAFEGUARDS

## READ ALL SAFETY INFORMATION BEFORE USING



### WARNING: RISK OF CHILD ENTRAPMENT!

An empty ice maker is a very dangerous attraction to children. Remove either the gasket, latches, lock and/or doors from unused or discarded appliances, or take some other action to guarantee it harmless. **DON'T WAIT, DO IT NOW!**



### WARNING

To avoid installation/operation difficulties, refer to separate installation guide.



### IMPORTANT

When installing the unit **DO NOT** kink the drain hose!

- This appliance must be grounded. Connect only to a properly grounded outlet. See "Grounding Instructions" section.
- Do not operate this appliance if it has a damaged power cord or plug, if it is not working properly, or if the appliance has been damaged or dropped.
- Never allow children to operate, play with, or crawl inside the appliance.
- Never clean appliance parts with flammable fluids. The fumes can create a fire hazard or explosion.
- Do not store or use gasoline or any other flammable vapors or liquids in the vicinity of this or any other appliance. The fumes can create a fire hazard or explosion.
- Do not splice the power cord that is equipped with this appliance.
- Keep power cord away from heated surfaces.
- Do not immerse power cord plug or the appliance itself in water.
- Do not use this product near water, for example in a wet basement, near a swimming pool or near a sink.
- Do not use corrosive chemicals or vapors in this appliance.
- Use this appliance only for its intended use, as described in this manual.
- See door surface cleaning instructions in the Care and Cleaning section(s) of this manual.
- Do not cover or block any openings on the appliance.
- This appliance is intended for household use only. Do not attempt to operate or store this appliance outdoors.
- This appliance should be serviced only by qualified service personnel. Contact the nearest authorized service facility for examination, repair or adjustment.

## GROUNDING INSTRUCTIONS



### WARNING

Improper use of the grounding plug can result in a risk of electric shock.

- This appliance must be grounded. In the event of an electrical short circuit, grounding reduces the risk of electric shock by providing an escape wire for the electric current.
- This appliance is equipped with a power cord that has a grounding wire and grounding plug. The plug must be plugged into an outlet that is properly installed and grounded.
- Consult a qualified electrician or service technician if the grounding instructions are not completely understood, or if doubt exists as to whether the appliance is properly grounded.
- If the outlet is a standard 2-prong wall outlet, it is your personal responsibility and obligation to have it replaced with a properly grounded 3-prong wall outlet.
- Plug the unit into an exclusive, properly installed grounded wall outlet.
- **Do not** under any circumstances cut or remove the third (ground) prong from the power cord.
- **Do not** use an adapter plug with this appliance.
- **Do not** use an extension cord with this appliance. If the power cord is too short, have a qualified electrician or service technician install an outlet near the appliance.



### WARNING

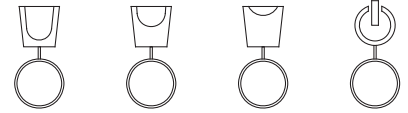
It is environmentally damaging to release many types of refrigerant into the atmosphere. Intentionally venting HCFC, CFC, or HFC refrigerant is illegal and punishable by law. Do not tamper with any of the refrigerant-containing components of this appliance. Ensure that you are following municipal bylaws when disposing of this or any other refrigeration appliance.

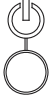
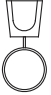


## SAVE THESE INSTRUCTIONS!

# OPERATING INSTRUCTIONS

## CONTROLS OF THE ICE MAKER

The ice maker should be placed where the ambient temperature is between 10-32°C (50-90° F.) If the ambient temperature is above or below this range, the performance of the unit may be affected.

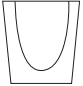








Control	Type	Action	Function Explanation
	Button	Press	To turn the ice maker on/off (press and hold this button for approximately 3 seconds)
	Button	Press	Small ice
	Button	Press	Medium ice
	Button	Press	Large ice

### Check the water supply

1. Turn off water supply.
  2. Disconnect water supply line from the ice maker.
  3. Position water supply line in a bucket.
  4. Turn on water and make sure water pours into the bucket.
  5. Turn water supply off again, then reconnect the water supply line to the ice maker.
- \* If unsure, please contact your local plumber.

## INDICATOR LIGHTS

	Single Indicator light	ON	Small ice is selected.
		FLASHING	① Water tank is full and beeping. (see troubleshooting section page 7)
	Single Indicator light	ON	Medium ice is selected.
	Single Indicator light	ON	Large ice is selected.
		FLASHING	② Ice bucket is full of ice
	Single Indicator light	ON	Compressor on
		OFF	Compressor off
		FLASHING	Stand-by mode
	Simultaneous Indicator lights	All on at the same time	Ice maker low on water (see troubleshooting section page 7)
	Simultaneous Indicator lights	2 sizes flashing at the same time for 15 seconds	③ Sensor breakdown (see troubleshooting section page 7)
	Simultaneous Indicator lights	All icons flashing at the same time	④ System malfunction (see troubleshooting section page 7)

# OPERATING INSTRUCTIONS

## CHANGING THE SIZE OF ICE

**NOTE:** Ice cube sizes differ by density and not volume. A large cube is the same size as a small cube but contains more frozen water.

1. Ensure the water supply is connected before changing ice size. The ice maker is automatically set to make medium ice. If you need to change the ice size, you can press the corresponding buttons (see previous page) and the chosen ice size will be indicated by the corresponding indicator light.

2. If you want to stop making ice but keep the unit on standby, press the power button for about 3 seconds. All ice indicator lights will turn off and the power indicator light will continue flashing. You are now in standby mode. Do not leave the unit in standby mode in excess of 6 hours. If you want to start making ice again, press the power button one more time.

## CONTINUOUS WATER CIRCULATION

This unit operates using a continuous closed cycle of water, with little or no waste. When the unit is on and the water container is low, new water is allowed in from the water source. The water container fills up until the float on the water tank is triggered. The recirculation pump cycles water over the evaporator tray continuously until ice is produced. *This process is continuous as long as the unit is left on.*

Any water that enters the drain at the bottom of the ice maker cavity is not recycled. It goes into a separate receptacle with a separate drain system that drains out of the back of the unit. *This ensures that you're always using clean water.*

**Note:** If the unit is turned off for 24 hours or longer, drain the water from the recirculation system. (see below)

**Note:** If you are using the continuous drain option (see separate installation instructions) the unit may be turned off during the draining process. If you are using the drain pump option (see separate installation instructions), you must keep the unit turned on.

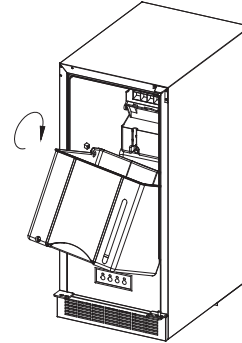
**To drain the water from the system:** First turn off the water supply. Remove the ice bucket, and pull the rubber drain tube out from its clips at the front of the internal water reservoir. Slowly lower the rubber drain tube towards the drain port at the back right side of the ice maker cavity. The water will evacuate. (see Fig.H on page 4) When all the water has been drained, replace the tube. **Note:** If using the continuous drain option (see separate installation instructions) and the unit had been turned off, it may now be turned on again.

## ICE BUCKET

Your ice bucket is designed to be easily removed. To remove it, lift up the front part of the box then simply pull it out (see image above.)

## ⚠ IMPORTANT

This machine is intended to produce ice only. It is not intended for the long-term storage of ice. Move any excess ice into a freezer for long-term storage (>6 hours) if you desire to keep it.

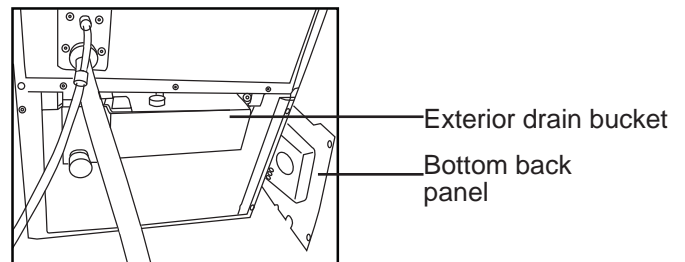


## ICE SCOOP

This appliance comes equipped with a stainless steel ice scoop that also facilitates the removal of ice from the ice bucket. **Use this scoop to break up any sheets of ice that fall into the bucket.**

## POWER FAILURE

Most power failures are corrected within a few hours and should not affect the temperature of your appliance if you minimize the number of times the door is opened. If the power is going to be off for a longer period of time, and you are using the drain pump option (see separate installation instructions), you will need to manually drain the water from your unit before next use to avoid an overflow situation. Refer to 'Continuous Drain Installation' for draining instructions on separate installation manual. **Note:** Drain the water from the exterior drain bucket. (take out the bottom back panel to get to the bucket. See image below)



**Note:** When the power is restored the unit will be in standby mode. The customer has to manually restart the unit.

## MOVING YOUR ICE MAKER

- Remove all items.
- Securely tape down all loose items (bucket) inside your appliance.
- Turn the adjustable leg up to the base to avoid damage.
- Tape the door shut.
- Be sure the appliance stays secure in the upright position during transportation. Also protect outside of appliance with a blanket, or similar item.
- The ice maker should be relocated to the coolest area of the room, away from heat producing appliances, and out of the direct sunlight.



# CARE AND MAINTENANCE

## CLEANING CYCLE

1) Before starting, turn the unit off and turn off the water supply to unit.

2) When all ice has melted from the evaporator and fallen into the ice bucket, remove the bucket (being careful not to spill any water) and discard or store ice in a separate freezer.

**Note:** If you are using the continuous drain option, the unit must be turned off during the next step. If you are using the drain pump option (see separate installation instructions), please keep the unit turned on (this allows pump to operate.)

3) Remove the rubber drain hose from the left rear of the ice maker cavity. Slowly tilt the drain hose down towards the drain port at the back right – lower corner of the ice maker cavity. The water will drain into the drain port. Tilt the drain hose slowly to ensure that the water is not able to overflow the ice bucket area. (see Fig.H)

4) When the water stops coming out of the drain hose, ensure that all water has been drained from water tank area. (Look inside to check that all water has been drained from water container area.) Reinstall the drain hose by pushing it back into the clips.

5) Fill the water tank with a cleaning solution comprised of equal parts water and vinegar. Next, turn the water supply on.

6) Reinstall the ice bucket after the water tank stops refilling, and the unit begins to run again.

7) Allow the unit to produce 4 - 6 batches of ice, then turn the unit off and allow any remaining ice to fall into the ice bucket.

8) Remove the ice bucket and discard all (6) batches of ice.

9) If the drain pump mode is being used (see separate installation instructions), turn the unit on at this point. Unit has to be in the process (operating mode) in order for the pump to work. If unit is in standby mode pump will not operate. Once again, remove the rubber drain hose from left side clips and slowly drain the cleaning solution into the drain port in bottom right side of cabinet area.

10) When all of the solution has drained and unit begins to cool again, reinstall the ice bucket. Make sure the reservoir is full before unit is turned back on.

11) Discard the first 2 batches of ice that fall into the ice bucket.

## CLEANING CYCLE

12) Normal ice production can continue when there is no evidence of the cleaning solution remaining in the unit.

## OUTSIDE CABINET AND DOOR

- Wash the outside cabinet with warm water and mild liquid detergent. Rinse well and wipe dry with a clean soft cloth.
- Wring excess water out of the sponge or cloth when cleaning any electrical parts.

1. Evaporator cover board
2. Direction plate
3. Water container
4. Drain tube
5. Clips

Fig.G

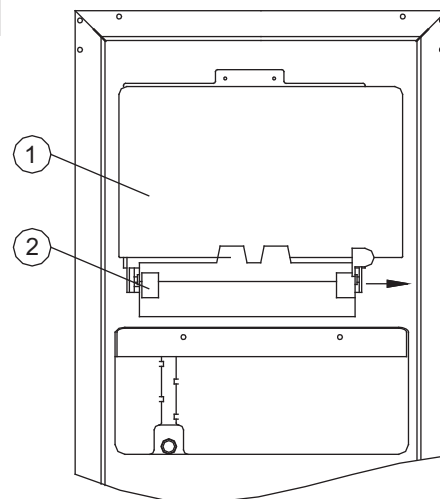
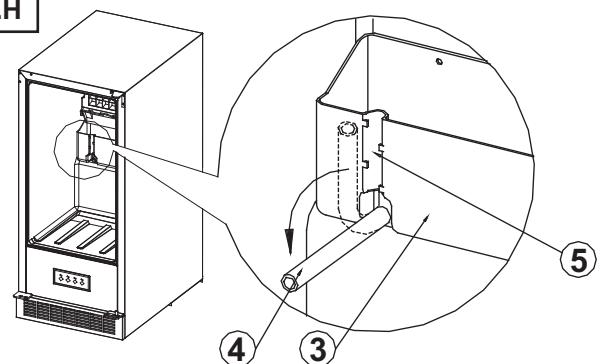


Fig.H



# CARE AND MAINTENANCE

## YEARLY MAINTENANCE FOR AREAS WITH HARD WATER

1) When all ice has been released from the evaporator and fallen into the ice bucket, remove the bucket (being careful not to spill any water) and discard or store ice in a separate freezer.

**Note:** If you are using the continuous drain option (see separate installation instructions), the unit may be turned off during the next step. If you are using the drain pump option (see separate installation instructions), the unit **MUST** be turned on. Unit has to be in the process (operating mode) in order for the pump to work. If unit is in standby mode pump will not operate.

**Note: Water supply should be turned off, if not it will keep filling up.**

2) Remove the rubber drain tube (4) from the water container (3.) Slowly tilt the drain hose down towards the drain port at the back right – lower corner of the ice maker cavity. The water will drain into the drain port. (see Fig.H on page 4)

**Note:** Tilt the drain tube slowly to ensure that the water does not overflow in the ice bucket area.

3) When the water stops coming out of the drain tube, look inside to check that all water has been drained from water container area. Reinstall the drain tube by pushing it back into the clips.

4) Use a sterile brush to scrape and loosen any hard water buildup from the water container (3,) ice bucket, cover board (1) and direction plate (2.) Then, fill the water container (3) with an approved, non toxic, lime dissolving cleaning solution such as an ice maker cleaner sold in stores, or a solution of equal parts water and vinegar. (see Fig.G on page 4)

5) Next, turn the water supply on, turn the unit back on only if using continuous drain option (see separate installation instructions) and had previously turned unit off, and reinstall the ice bucket. The water container will refill, and the unit will begin to run again.

6) Allow the unit to produce 4 - 6 batches of ice, then turn the unit off and allow time for any remaining ice to fall into the ice bucket.

7) Remove the ice bucket and discard all (6) batches of ice.

**Note:** If you are using the continuous drain option (see separate installation instructions), the unit may be turned off during the next step. If you are using the drain pump option (see separate installation instructions), the unit **MUST** be turned on.

**Note: Water supply should be turned off, if not it will keep filling up.**

8) Once again, remove the rubber drain tube from water container (3) and slowly drain the cleaning solution into the drain port in bottom right side of cabinet area. Water will continue to fill if water is not turned off. (see Fig.H on page 4)

9) When all of the solution has drained, reinstall the ice bucket. Turn the unit back on, only if using continuous drain option (see separate installation instructions) and had previously turned unit off.

10) Discard the first 2 batches of ice that fall into the ice bucket.

11) Normal ice production can continue when there is no evidence of the cleaning solution remaining in the unit.

## VACATION TIME

- **If the unit will not be used for more than one day, turn the unit off and drain completely** (refer to 'Continuous Water Circulation for draining instructions.)
- **Winterization:** If the unit is only used half the year, the other half it should be kept clean and void of water. Drain the unit as in the 'Continuous Water Circulation' section. Additionally, be sure to remove any water from the drain tank. Utilize the "cleaning cycle" on page 4.



# TROUBLESHOOTING

Occasionally, a problem is minor and a service call may not be necessary - use this trouble shooting guide for a possible solution. If the unit continues to operate improperly, call an authorized service depot or Danby's toll free number **1-800-263-2629**.

<b>PROBLEM</b>	<b>POSSIBLE CAUSE</b>	<b>SOLUTION</b>
<b>1) The ice maker does not operate</b>	<ul style="list-style-type: none"> <li>• Not plugged in</li> <li>• The appliance is turned off</li> <li>• No power to unit</li> </ul>	<ul style="list-style-type: none"> <li>• Make sure the appliance is plugged in and turned on.</li> <li>• Replace fuse or reset circuit breaker</li> </ul>
<b>2) The ice is not big enough or melts too quickly</b>	<ul style="list-style-type: none"> <li>• The ambient temperature is too high</li> <li>• The door is opened too often or the door is ajar</li>   <li>• Dirty condenser</li>   <li>• Incorrect mode is selected</li> </ul>	<ul style="list-style-type: none"> <li>• Reduce ambient temperature</li> <li>• Make sure the door is closed and is only opened when necessary. Ensure that the gasket is sealing against the cabinet.</li>   <li>• Remove the front bottom kick plate from the unit and using a vacuum, clean the area of the condensor.</li>   <li>• Select the correct ice size mode</li> </ul>
<b>3) Ice maker alarm</b>	<ul style="list-style-type: none"> <li>• External water tank is full</li> <li>• Not enough water</li> </ul>	<ul style="list-style-type: none"> <li>• Refer to page 7</li> <li>• Refer to page 7</li> </ul>
<b>4) Vibrations</b>	<ul style="list-style-type: none"> <li>• Ice maker not level</li> </ul>	<ul style="list-style-type: none"> <li>• Make sure floor is level</li> <li>• Adjust leveling legs</li> </ul>
<b>5) Noise</b>	<ul style="list-style-type: none"> <li>• The ice maker is not level</li> <li>• The rattling noise may come from the flow of the refrigerant, which is normal</li> <li>• As each cycle ends, you may hear gurgling sounds caused by the flow of refrigerant in your ice maker</li> <li>• Contraction and expansion of the inside walls may cause popping and crackling noises</li> <li>• The ice dispensing during every cycle may cause some noise</li> <li>• The constant water flow noise is a normal function of the unit.</li> </ul>	<ul style="list-style-type: none"> <li>• Make sure floor is level or adjust leveling legs</li> </ul>
<b>6) Water leakage from ice maker</b>	<ul style="list-style-type: none"> <li>• The water inlet pipe in the back is too loose</li> <li>• The water outlet pipe in the back is too loose</li> </ul>	<ul style="list-style-type: none"> <li>• Tighten water inlet pipe</li> <li>• Tighten water outlet pipe</li> </ul>

# TROUBLESHOOTING

Occasionally, a problem is minor and a service call may not be necessary - use this trouble shooting guide for a possible solution. If the unit continues to operate improperly, call an authorized service depot or Danby's toll free number **1-800-263-2629**.

- ① **"Water tank is full" - troubleshoot using instructions before contacting an authorized service centre.**
  - a) Disconnect from power source. Unscrew the drain cap located on the back of the unit and let out the water (refer to installation guide)
  - b) After draining out all the water from the outside water tank, reconnect unit to power and it will continue to run normally.
  - c) If "drain pump mode" (see separate installation instructions) is being used, please confirm the "drain pump switch" is in the "ON" position.
- ② **"Ice maker low on water" - troubleshoot using these instructions before contacting an authorized service centre.**
  - a) Check if outside water supply is functioning normally. Follow "checking the water supply" instructions (above) and wait 30 minutes for the unit to correct itself.
  - b) If this doesn't work, press the power button to restart the unit.
- ③ **"Sensor breakdown" - contact our authorized service center for maintenance.**
- ④ **"System malfunction" - System will shut down call an authorized service center.**

Visit <http://www.profileofgoodtaste.com/> to view a short instillation video.



## LIMITED IN-HOME APPLIANCE WARRANTY

This quality product is warranted to be free from manufacturer's defects in material and workmanship, provided that the unit is used under the normal operating conditions intended by the manufacturer.

This warranty is available only to the person to whom the unit was originally sold by Danby Products Limited (Canada) or Danby Products Inc. (U.S.A.) (hereafter "Danby") or by an authorized distributor of Danby, and is non-transferable.

### TERMS OF WARRANTY

Plastic parts, are warranted for thirty (30) days only from purchase date, with no extensions provided.

*First 24 Months* During the first twenty four (24) months, any functional parts of this product found to be defective, will be repaired or replaced, at warrantor's option, at no charge to the ORIGINAL purchaser.

*To obtain Service* Danby reserves the right to limit the boundaries of "In Home Service" to the proximity of an Authorized Service Depot. Any appliance requiring service outside the limited boundaries of "In Home Service", it will be the consumer's responsibility to transport the appliance (at their own expense) to the original retailer (point of purchase) or a service depot for repair. See "Boundaries of In Home Service" below. Contact your dealer from whom your unit was purchased, or contact your nearest authorized Danby service depot, where service must be performed by a qualified service technician.

If service is performed on the unit by anyone other than an authorized service depot, or the unit is used for commercial application, all obligations of Danby under this warranty shall be void.

*Boundaries of In Home Service* If the appliance is installed in a location that is 100 kilometers (62 miles) or more from the nearest service center your unit must be delivered to the nearest authorized Danby Service Depot, as service must only be performed by a technician qualified and certified for warranty service by Danby. Transportation charges to and from the service location are not protected by this warranty and are the responsibility of the purchaser.

Nothing within this warranty shall imply that Danby will be responsible or liable for any spoilage or damage to food or other contents of this appliance, whether due to any defect of the appliance, or its use, whether proper or improper.

### EXCLUSIONS

Save as herein provided, Danby, there are no other warranties, conditions, representations or guarantees, express or implied, made or intended by Danby or its authorized distributors and all other warranties, conditions, representations or guarantees, including any warranties, conditions, representations or guarantees under any Sale of Goods Act or like legislation or statute is hereby expressly excluded. Save as herein provided, Danby shall not be responsible for any damages to persons or property, including the unit itself, howsoever caused or any consequential damages arising from the malfunction of the unit and by the purchase of the unit, the purchaser does hereby agree to indemnify and hold harmless Danby from any claim for damages to persons or property caused by the unit.

### GENERAL PROVISIONS

No warranty or insurance herein contained or set out shall apply when damage or repair is caused by any of the following:

- 1) Power failure.
- 2) Damage in transit or when moving the appliance.
- 3) Improper power supply such as low voltage, defective house wiring or inadequate fuses.
- 4) Accident, alteration, abuse or misuse of the appliance such as inadequate air circulation in the room or abnormal operating conditions (extremely high or low room temperature).
- 5) Use for commercial or industrial purposes (ie. If the appliance is not installed in a domestic residence).
- 6) Fire, water damage, theft, war, riot, hostility, acts of God such as hurricanes, floods etc.
- 7) Service calls resulting in customer education.
- 8) Improper Installation (ie. Building-in of a free standing appliance or using an appliance outdoors that is not approved for outdoor application).

Proof of purchase date will be required for warranty claims; so, please retain bills of sale. In the event warranty service is required, present this document to our AUTHORIZED SERVICE DEPOT.

**Warranty Service**  
In-home

Danby Products Limited  
PO Box 1778, Guelph, Ontario, Canada N1H 6Z9  
Telephone: (519) 837-0920 FAX: (519) 837-0449

**1-800-263-2629**

Danby Products Inc.  
PO Box 669, Findlay, Ohio, U.S.A. 45840  
Telephone: (419) 425-8627 FAX: (419) 425-8629

**BUILT IN ICE MAKER  
MACHINE À GLAÇONS  
EQUIPO PARA FABRICAR HIELO**

**MODEL • MODÈLE • MODELO  
DIM3225BLSST**

**ICE MAKER**

The model number can be found on the serial plate located on the back panel of the unit.

All repair parts available for purchase or special order when you visit your nearest service depot. To request service and/or the location of the service depot nearest you, call Danby toll free.

When requesting service or ordering parts, always provide the following information:

- Product Type
- Model Number
- Part Description

---

**EQUIPO PARA FABRICAR HIELO**

El número de modelo se puede encontrar en la placa serial situada en el panel trasero de la unidad.

Todas las piezas de reparación disponibles para la compra o la orden especial cuando usted visita su depósito más cercano del servicio. Para pedir servicio y/o la localización del depósito del servicio lo más cerca posible usted, llame Danby gratis.

Al pedir servicio o pidiendo piezas, proporcione siempre la información siguiente:

- Tipo de Producto
- Número de Modelo
- Descripción de la Parte

**MACHINE À GLAÇONS**

Le numéro de modèle se trouve sur la plaque d'information sur la paroi arriere de l'appareil.

Toutes les pièces de rechange ou commandes spéciales sont disponibles de votre centre régional de service autorisé. Pour exiger le service et/ou le nom de votre centre de service régional, signalez le numéro sans frais de Danby.

Ayez les renseignements suivants à la portée de la main lors de la commande de pièce ou service:

- Genre de produit
- Numéro de modèle
- Description de la pièce



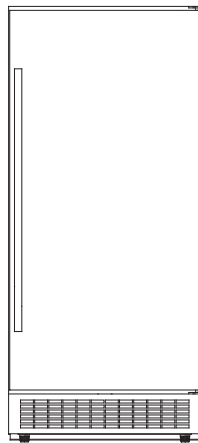
# Silhouette SELECT®

- BUILT IN ICE MAKER
- MACHINE A GLAÇONS
- EQUIPO PARA FABRICAR HIELO

MODEL • MODELE • MODELO  
DIM3225BLSST

- SEE SEPARATE USE AND CARE INSTRUCTIONS
- VOIR LES INSTRUCTIONS DISTINCTES POUR L'UTILISATION ET L'ENTRETIEN
- CONSULTE LAS INSTRUCCIONES DE USO Y CUIDADO POR SEPARADO-ES

- INSTALLATION INSTRUCTIONS
- INSTRUCTIONS D'INSTALLATION
- INSTRUCCIONES DE INSTALACIÓN



SIMPLE ICEMAKER  
INSTALLATION VIDEO

Volts / Hertz / Amps / Watts	115V	60Hz	2.6A	240W
Volts / Hertz / Ampères / Watts	115V	60Hz	2.6A	240W
Volts / Hertz / Amperios / Vatios	115V	60Hz	2.6A	240W

- Makes up to 32LBS daily / Ice box capacity is 25LBS
- Peut créer un total quotidien de 32 LBS de glaçons / La capacité du bac à glaçons est de 25 LBS
- Produce hasta 32 lb al día / La capacidad de la caja de hielo es de 25 lb

# TABLE OF CONTENTS

## ENGLISH

### INSTALLATION INSTRUCTIONS

- Ice maker installation ..... 1
- Connecting ice maker to water supply ..... 2
- Location of parts ..... 3
- Connecting ice maker to drain ..... 3-5
- Door reversal instructions ..... 6

## FRANÇAIS

### INSTRUCTIONS D'INSTALLATION

- Installation de votre machine à glaçons ..... 7
- Raccordement de la machine à glaçons à l'arrivée d'eau ..... 8
- Emplacement des pièces..... 9
- Raccorder la machine à glaçon à la vidange ..... 9-11
- Directives pour l'inversion de la porte ..... 12

## ESPAÑOL

### INSTRUCCIONES DE INSTALACIÓN

- Instalación de su dispositivo para hacer hielo ..... 13
- Cómo conectar el dispositivo para hacer hielo al suministro de agua ..... 14
- Ubicación de las piezas ..... 15
- Cómo conectar el equipo para hacer hielo al drenaje ..... 15-17
- Instrucciones para cambiar el sentido de apertura de la puerta ..... 18

### CAUTION

Read and follow all safety rules and operating instructions before first use of this product.

### PRÉCAUTION

Veillez lire attentivement les consignes de sécurité et les instructions d'utilisation avant l'utilisation initiale de ce produit.

### PRECAUCIÓN

Lea y observe todas las reglas de seguridad y las instrucciones de operación antes de usar este producto por primera vez.



# INSTALLATION INSTRUCTIONS

## IMPORTANT

It is recommended that this appliance be installed by a recognized installation professional following any or all National Safety codes or Municipal by-laws for the installation area.

## BEFORE USING ICE MAKER

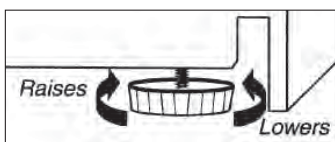
- To view our online installation video visit [http://www.profileofgoodtaste.com/dim3225blsst\\_ice\\_maker\\_installation](http://www.profileofgoodtaste.com/dim3225blsst_ice_maker_installation)
- Remove the exterior and interior packaging.
- Before connecting the ice maker to the power source, let it stand upright for approximately 2 hours. This will reduce the possibility of a malfunction in the cooling system from handling during transportation.
- Clean the interior surface with lukewarm water using a soft cloth.
- Attach the water inlet and outlet pipe, loosen the screw nut, choose the function switch (see connecting ice maker on page 3.)
- Dispose of the first two full batches of ice to clear any dust resulting from transport.

## ICE MAKER INSTALLATION

- Place your ice maker on a floor that is strong enough to support it when it is fully loaded. To level your ice maker adjust the front leveling leg at the bottom of the unit. (see leveling instructions below)
- Locate the ice maker away from direct sunlight and sources of heat (stove, heater, radiator, etc.) Direct sunlight and heat sources may increase electrical consumption. Extreme cold ambient temperatures may also cause the unit not to perform properly.
- Avoid locating the unit in damp areas.
- Plug the unit into an 115/120-volt, 60Hz electrical outlet with three-prong ground receptacle. Do not under any circumstances cut or remove the third (ground) prong from the power cord. Any questions concerning power and/or grounding should be directed toward a qualified electrician or an authorized service center.

## LEVELING INSTRUCTIONS

- 1) Move the ice maker to its final location.
- 2) Have someone gently push against the front of the ice maker to take some weight off of the leveling leg.
- 3) Turn the leveling leg clockwise to raise, and counterclockwise to lower the ice maker. Adjust until level.



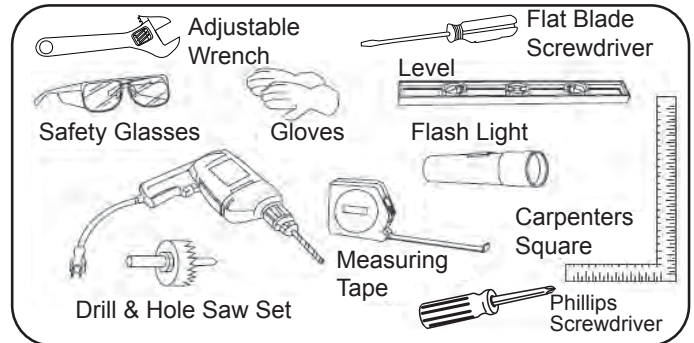
Front of unit

## INSTALLATION SPECIFICATIONS - BUILT-IN

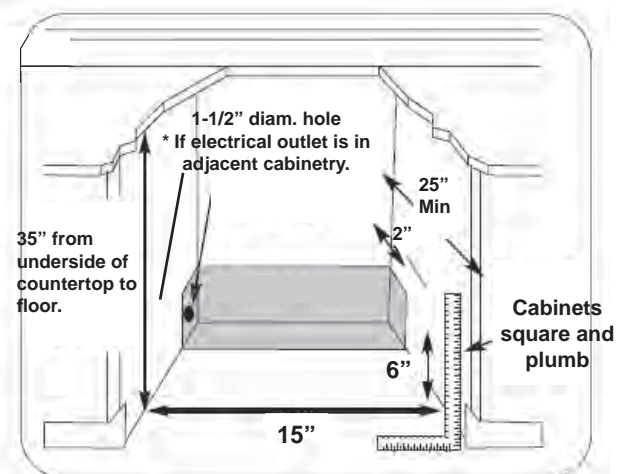
## TOOLS REQUIRED

### FOR YOUR SAFETY:

During installation gloves, safety glasses or goggles should be worn.



- It is recommended that you do not install the unit directly adjacent to a wall. This is to allow the door to have a greater than 90° opening swing. A limited door swing can cause damage to the door gasket and you will not be able to remove the bucket.
- The cabinet opening must be at least 25" deep by 15" wide. The opening should also have a height of at least 35".
- The electrical outlet may be positioned in either side of the adjacent cabinetry, or the rear of the shaded area shown below. Plug in the unit before pushing it into position within the cabinet.
- If the electrical outlet is located inside the adjacent cabinetry, cut a 1-1/2" diameter hole to allow the power cord to pass through it. If the cabinet wall is metal, the hole edge must be covered with a bushing or grommet.



# INSTALLATION INSTRUCTIONS

## CONNECTING ICE MAKER TO WATER SUPPLY

### WARNING

To avoid electrical shock, which can cause death or severe personal injury, disconnect the ice maker from power outlet before connecting a water supply line to the ice maker.

### CAUTION

Plastic tubing is not recommended since it greatly increases the potential for water leaks. The manufacturer will not be responsible for any damage if plastic tubing is used for the supply line.

**DO NOT** install water supply tubing in areas where temperatures fall below freezing.

Connect the ice maker to a potable water source that is not tied into a water softening system. Chemicals from the softener may damage the ice maker, causing it to malfunction.

### IMPORTANT

Ensure that your water supply line connections comply with all local plumbing codes.

Before installing the water supply line, you will need:

1. Basic tools: an adjustable wrench and a standard flat blade screwdriver.
2. Access to a household cold water line with water pressure between 20 and 120 psi.
3. A water supply line made of 1/4 inch (6.4 mm) OD copper tubing. To determine the length of copper tubing needed, you will need to measure the distance from the ice maker inlet valve at the back of the ice maker to your cold water pipe. Then add approximately 3 feet (0.9144 meters) so the ice maker can be moved out of the cabinet for cleaning.
4. A shutoff valve to connect the water supply line to your household water system. (DO NOT use a self-piercing type shutoff valve.)
5. A compression nut and ferrule (sleeve) for connecting the water supply line to the ice maker inlet valve.
6. A clamp and a number 8, 1/2" screw to secure water line to the unit.

### To Connect Water Supply Line to Ice Maker Inlet Valve

1. Disconnect ice maker from electric power supply.
2. Place end of house water supply line into sink or bucket. Turn ON water supply and flush supply line until water is clear, turn OFF water supply at shutoff valve. Remove plastic cap from water valve inlet and store in safe place.
3. Slide brass compression nut, then ferrule (sleeve,) onto water supply line, as shown in Fig. A.
4. Push water supply line into water valve inlet as far as it will go (1/4 inch.) Slide ferrule (sleeve) into water valve inlet and tighten compression nut onto valve. Tighten another half turn with a wrench; DO NOT over-tighten.
5. Secure the water supply line by putting it through the clamp and fastening with a screw into the screw hole on the back panel (Fig. A.)
6. Coil about 3 feet of the excess water supply line behind the ice maker and arrange coils so they do not vibrate or wear against any other surface.
7. Turn ON water supply at shutoff valve and tighten any connections that leak.
8. Reconnect ice maker to electric power supply.

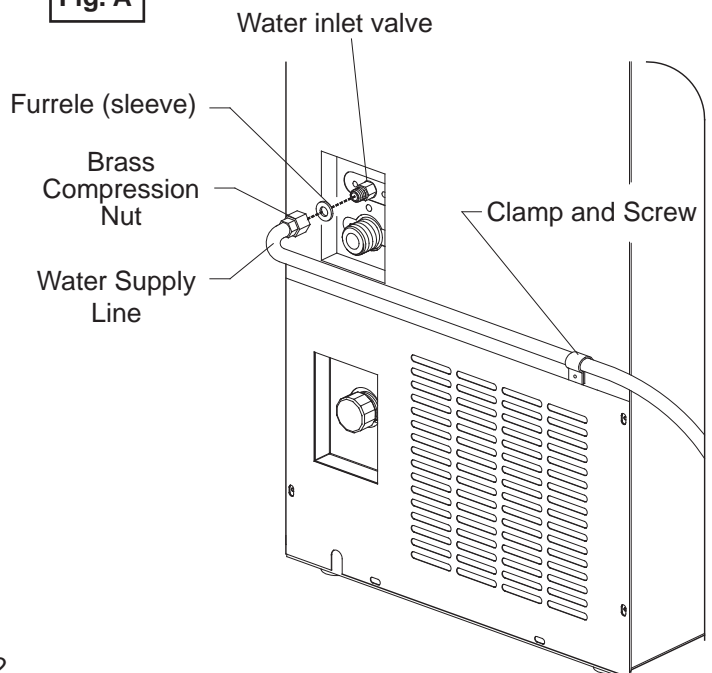
### NOTE:

It takes approximately 1 hour for the first batch of ice to be made. New plumbing may cause ice to be discolored or have poor flavor. **Discard first 2 batches and any other discoloured ice.**

Although the unit has been tested and cleaned at the factory, due to long-term transit and storage, the first batch of cubes must be discarded.

- **Never** turn the water supply tap off when the ice maker is working!
- **Never** touch evaporator when unit is running!
- To reduce melting and ensure proper ice formation keep the door closed at all times except when taking ice from the unit.

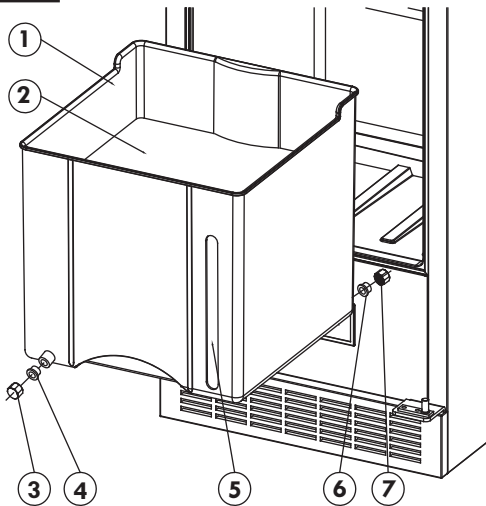
Fig. A



# INSTALLATION INSTRUCTIONS

## LOCATION OF PARTS

Fig.B



- |                            |                               |
|----------------------------|-------------------------------|
| 1. ice bucket              | 8. drain pump switch          |
| 2. bottom board of ice box | 9. water inlet tube connector |
| 3. drain nut (front)       | 10. drain pump outlet         |
| 4. drain seal (front)      | 11. drain pump cap            |
| 5. water level sight       | 12. direct drain cap          |
| 6. drain seal (back)       | 13. continuous drain outlet   |
| 7. drain nut (back)        | 14. drain tank                |

## CONNECTING ICE MAKER TO DRAIN

**Drain pipe connection** (drain hose not provided)

• You will need to purchase the external drain pipe, available at your local hardware store. The connection instructions are as follows: Choose drain option A or B (see below,) insert a washer between drain pipe and the chosen drain outlet of the ice maker, and put the other side of the drain pipe into a drain hole (see Fig E.)

**A - Is a drain pump option**

**B - Is a continuous drain option**

**NOTE:** When using drain pump "A," the switch (on back) must be turned to the "ON" position during operation.

### WARNING

Please disconnect unit from power and make sure no water is near the ice maker or floor board to avoid electric shock before following the steps below.

Your ice maker has three different drain types, you can choose the most suitable mode according to your requirements. See detailed instructions on the following page.

Fig.C

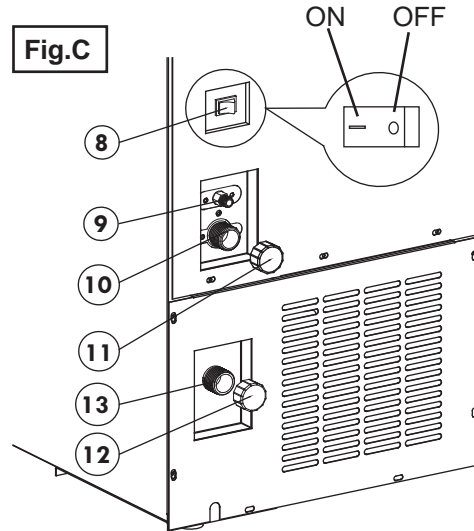


Fig.D

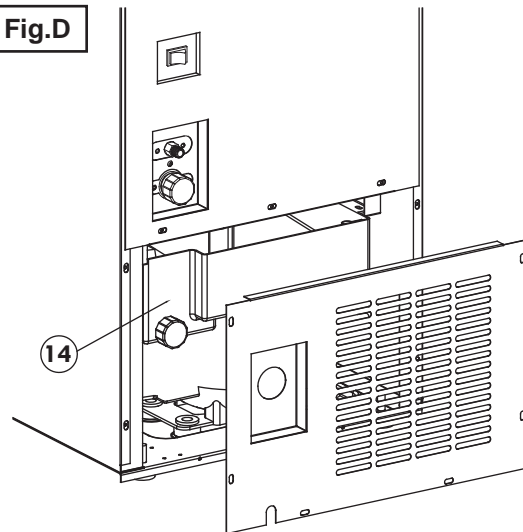
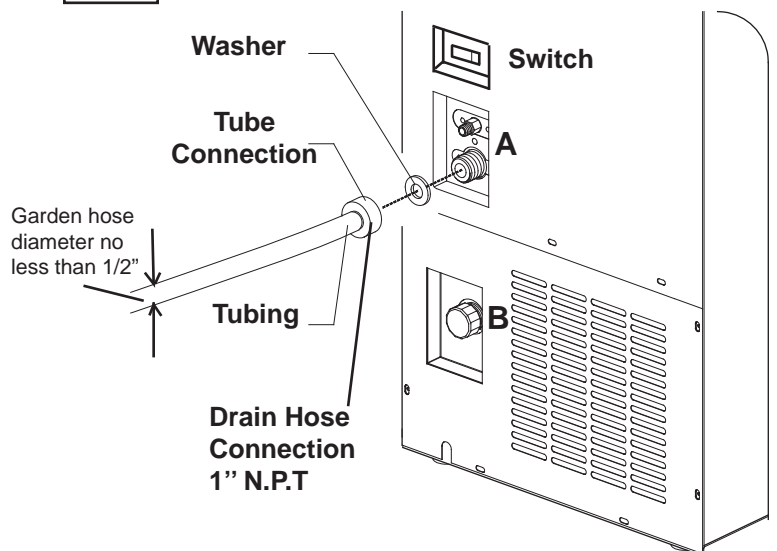


Fig.E



# INSTALLATION INSTRUCTIONS

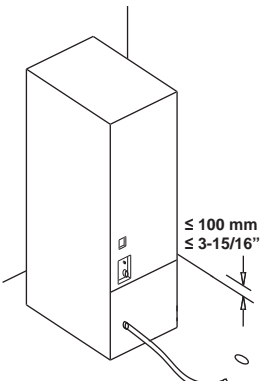
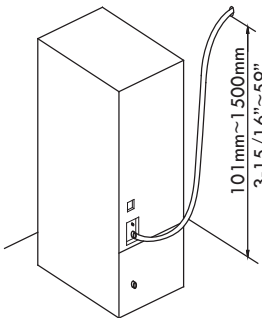

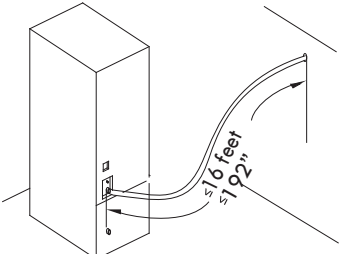
## CONNECTING ICE MAKER TO DRAIN (Continued)

### WARNING

Please read the following instructions before using this appliance. Choose the correct drain mode according to your preference and set up your appliance accordingly.

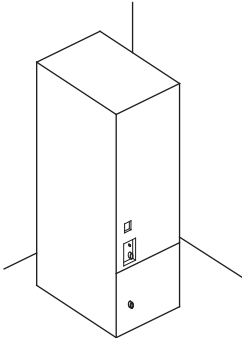
### IMPORTANT

When installing the unit DO NOT kink the drain hose!

Drain Type	Drain	Drain Height	Operation Instruction									
<b>Continuous Drain Mode</b>  <b>Note:</b> This mode requires the drain hose outlet to be below the drain hose-inlet on the unit to perform as required.	Excess water will drain out of the continuous outlet on the back of the unit using the force of gravity.	The height of drain hole in the room $\leq 100$ mm (3-15/16")  	<b>Ref: Fig. C &amp; Fig. D &amp; Fig. E</b>									
			<table border="1"> <thead> <tr> <th>Drain Nut and Drain Pump Switch</th> <th>Condition</th> </tr> </thead> <tbody> <tr> <td>drain nut (front) (3) + drain seal (front) (4)</td> <td>closed</td> </tr> <tr> <td>drain nut (back) (7) + drain seal (back) (6)</td> <td>open</td> </tr> <tr> <td>drain cap (11)</td> <td>closed</td> </tr> <tr> <td>drain cap (12)</td> <td>open</td> </tr> <tr> <td>drain pump switch (8)</td> <td>OFF</td> </tr> </tbody> </table> <p>1. Please ensure the drain nut and switch are in the above condition; 2. Connect one side of the drain pipe to the continuous drain outlet and the other side to the drain hole. The drain must slope downwards towards the drain hole. Please ensure the connection is tight.</p>	Drain Nut and Drain Pump Switch	Condition	drain nut (front) (3) + drain seal (front) (4)	closed	drain nut (back) (7) + drain seal (back) (6)	open	drain cap (11)	closed	drain cap (12)
Drain Nut and Drain Pump Switch	Condition											
drain nut (front) (3) + drain seal (front) (4)	closed											
drain nut (back) (7) + drain seal (back) (6)	open											
drain cap (11)	closed											
drain cap (12)	open											
drain pump switch (8)	OFF											
<b>Drain Pump Mode</b>  <b>Note:</b> Pump will not work in power outage.	Excess water will be drained out by the internal pump.	The height of the drain hole in the room is between 101 mm~1500 mm (3-15/16"~59")  	<b>Ref: Fig. C &amp; Fig. D &amp; Fig. E</b>									
			<table border="1"> <thead> <tr> <th>Drain Nut and Drain Pump Switch</th> <th>Condition</th> </tr> </thead> <tbody> <tr> <td>drain nut (front) (3) + drain seal (front) (4)</td> <td>closed</td> </tr> <tr> <td>drain nut (back) (7) + drain seal (back) (6)</td> <td>open</td> </tr> <tr> <td>drain cap (11)</td> <td>open</td> </tr> <tr> <td>drain cap (12)</td> <td>closed</td> </tr> <tr> <td>drain pump switch (8)</td> <td>ON</td> </tr> </tbody> </table> <p>1. Please ensure the drain nut and switch are in the above condition; 2. Using a drain pipe no longer than 16 feet (192"), connect one side to the drain pump outlet and the other side to the drain hole.</p>	Drain Nut and Drain Pump Switch	Condition	drain nut (front) (3) + drain seal (front) (4)	closed	drain nut (back) (7) + drain seal (back) (6)	open	drain cap (11)	open	drain cap (12)
Drain Nut and Drain Pump Switch	Condition											
drain nut (front) (3) + drain seal (front) (4)	closed											
drain nut (back) (7) + drain seal (back) (6)	open											
drain cap (11)	open											
drain cap (12)	closed											
drain pump switch (8)	ON											
			<b> WARNING</b> The length of drain pipe cannot exceed 16 ft (192") in order to prevent water from coming back.									
												

# INSTALLATION INSTRUCTIONS

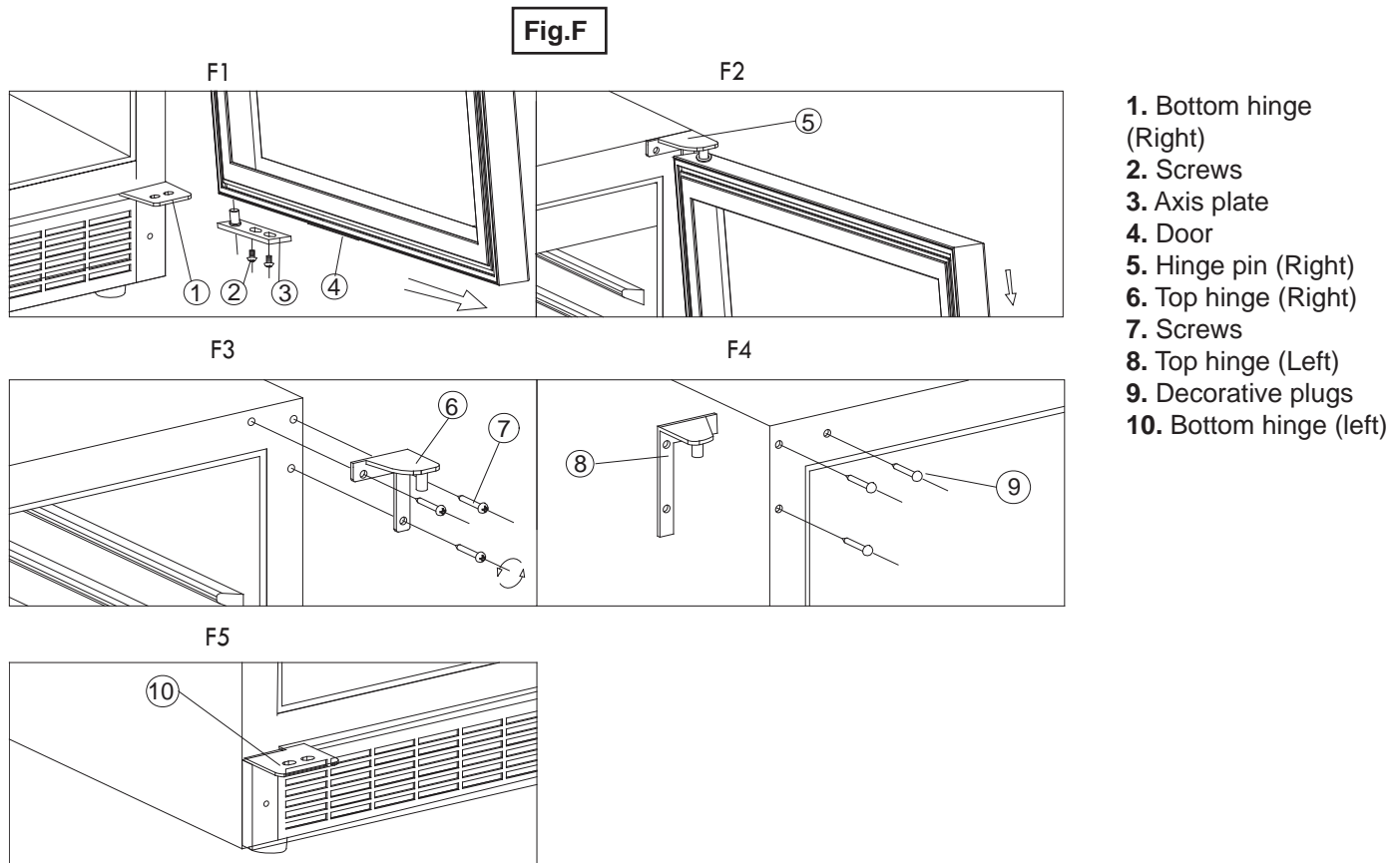
## CONNECTING ICE MAKER TO DRAIN (Continued)

Drain Type	Drain	Drain Height	Operation Instruction		
<p><b>Manual Drain Mode</b></p> <p>When water reaches the tray in the ice bucket, remove ice bucket and drain the water. (to reduce the ice sticking together)</p>	<p>Manually drain the water from the ice bucket</p>	<p>There is no drain hole in the room</p> 	<p>Ref: Fig.B &amp; Fig.C &amp; Fig.D</p>		
			<p><b>Drain Nut and Drain Pump Switch</b></p>		<p><b>Condition</b></p>
			<p>drain nut (front) (3) + drain seal (front) (4)</p>	<p>closed</p>	
			<p>drain nut (back) (7) + drain seal (back) (6)</p>	<p>closed</p>	
			<p>drain cap (11)</p>	<p>closed</p>	
			<p>drain cap (12)</p>	<p>closed</p>	
			<p>drain pump switch (8)</p>	<p>OFF</p>	
<p>1. Ensure the screw nut and switch are in the above condition to avoid water leakage.</p> <p>2. Periodically check the ice bucket (1), and water level sight (5). If the water level exceeds the sight water level, drain off unnecessary water.</p> <p>3. When draining off the water, you can remove the ice bucket (1), drain nut (front) (3) and drain seal (front) (4). Use the ice tray to take out the unnecessary water, then tighten the above screw and seal washer.</p>					

# INSTALLATION INSTRUCTIONS

## DOOR REVERSAL DIRECTIONS

This appliance can be modified for the door to open from either the left or the right side. The unit is delivered to you with the door opening from the left side. If you wish to reverse the opening direction, follow the instructions below:



1. Remove 2 screws (2) from axis plate (3) at bottom of door. Slide the door from bottom hinge, then pulling down off of top pin (Fig. F1/F2.) Pull axis plate (3) out from door, and place both door and axis plate aside.
2. Remove 3 screws (7) from the top right hinge, remove hinge(6) and put aside (Fig. F3.)
3. Remove decorative plugs (9) from the top left side of the cavity frame (Fig. F4.) Replace the decorative plugs into the top right side of the cavity frame.
4. Line up top left hinge (8) with holes and fasten with 3 screws that were removed from the right side.
5. Place (push in, do not screw in) axis plate (3) into the bottom of the door on left side.
6. Push door onto top hinge pin and slide door onto lower hinge, make sure axis plate is between door and lower hinge.
7. Install 2 screws (2) in the axis plate through the lower left hinge and into the axis plate, making sure the door is properly aligned to the cabinet.