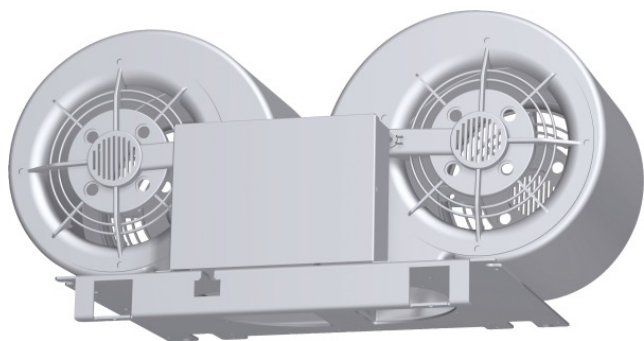


# 1000 CFM Integral Blower VTN1080F



## **VTN1080F**

- Integrated blower can be purchased separately and installed within the hood
- Cable connected to blower and hood controls with a length of 30 ft.

825225861652

# 1000 CFM Integral Blower VTN1080F



## Product Features

Operating Mode: Ducted

## Consumption and connection features

UPC code: 825225861652

Material: Stainless steel

Watts (W): 640

Current (A):

Volts (V): 120

Frequency (Hz): 60

Approval certificates: CSA, UL

Power cord length (in):

Power cord length (cm): 150.0

Plug type: 120V-3 prong

Overall appliance dimensions (HxWxD) (in): 8 1/4" / x 15 5/8" x 10 3/4"

Overall appliance dimensions (HxWxD) (mm): 210 MM x 397 x 273

Product packaging dimensions (HxWxD) (in): 12.20 x 20.07 x 13.38

Adjustable feet:

Height of the chimney (in):

Height of the chimney (mm):

Vertical rise height:

Required distance above cooktop/ranges:

Net weight (lbs): 16

Net weight (kg): 7.000

Gross weight (lbs): 21

Gross weight (kg): 10.000

Motor location:

Maximum CFM: 1000

Diameter of air duct (in) top: 8

Diameter of air duct (in) back:

Discharge direction: vertical

No-return airflow flap: No

2013-07-12