

10-Inch Round Front Plate for Downdraft



Product Features

Performance

For use with remote or inline blower applications

Design

10 inch round front rough-in plate

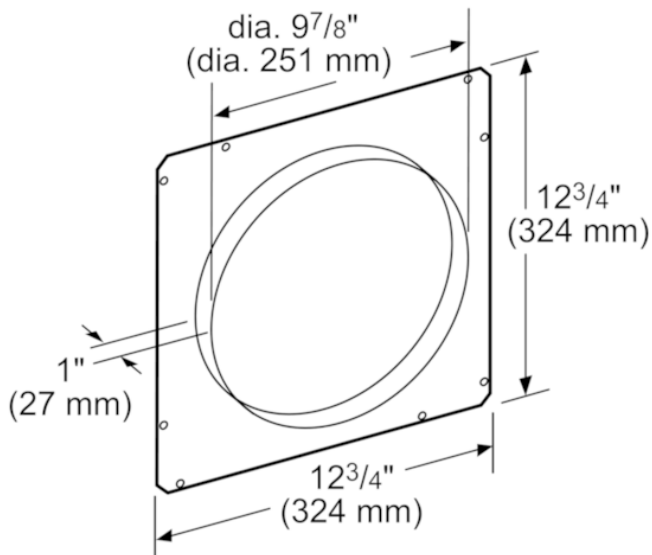
Designed for use with UCVM30RS, UCVM36RS, UCVP36RS downdrafts

Notes: Please refer to installation instructions. Installation instructions are available at www.thermador.com. Specifications are correct at the time of printing. Thermador reserves the right to change product specifications and design at any time, without notice.

1 800 735 4328 | WWW.THERMADOR.COM | 1901 Main Street, Suite 600 Irvine, CA 92614

©2020 BSH HOME APPLIANCES CORPORATION, ALL RIGHTS RESERVED LITHO DATE: 05/2020

10-Inch Round Front Plate for Downdraft



measurements in inches (mm)

Product Features

Product group	Accessory
Brand	Thermador
SKU	CVTFRONT10
Internal article number	00000000011026322
EAN code	825225921202
Net weight (lbs)	2
Gross weight (lbs)	2
Standard number of units per pallet	60
UPC code	825225921202
Name of product image	MCSA02477530_i3927_1851247_CVTFRONT10_c

Technical Specification

Notes: Please refer to installation instructions. Installation instructions are available at www.thermador.com. Specifications are correct at the time of printing. Thermador reserves the right to change product specifications and design at any time, without notice.

1 800 735 4328 | WWW.THERMADOR.COM | 1901 Main Street, Suite 600 Irvine, CA 92614

©2020 BSH HOME APPLIANCES CORPORATION, ALL RIGHTS RESERVED LITHO DATE: 05/2020