

10-Inch Round Front Plate for Downdraft



Product Features

Performance

For use with remote or inline blower applications

Design

10 inch round front rough-in plate

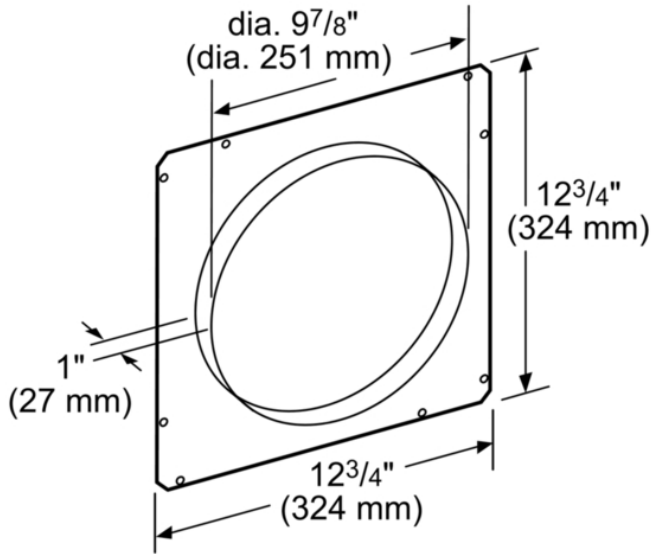
Designed for use with UCVM30RS, UCVM36RS, UCVP36RS downdrafts

Notes: Please refer to installation instructions. Installation instructions are available at www.thermador.com. Specifications are correct at the time of printing. Thermador reserves the right to change product specifications and design at any time, without notice.

1 800 735 4328 | WWW.THERMADOR.COM | 1901 Main Street, Suite 600 Irvine, CA 92614

©2022 BSH HOME APPLIANCES CORPORATION, ALL RIGHTS RESERVED LITHO DATE: 05/2022

10-Inch Round Front Plate for Downdraft



measurements in inches (mm)

Product Features

		Accessory
Brand	Thermador	
SKU	CVTFRONT10	
Internal article number	00000000011026322	
EAN code	825225921202	
	2	
	2	
Standard number of units per pallet	60	
UPC code	825225921202	
Product image	MCSA02477530_i3927_1851247_CVTFRONT10_c	

Technical Specification

Notes: Please refer to installation instructions. Installation instructions are available at www.thermador.com. Specifications are correct at the time of printing. Thermador reserves the right to change product specifications and design at any time, without notice.

1 800 735 4328 | WWW.THERMADOR.COM | 1901 Main Street, Suite 600 Irvine, CA 92614

©2022 BSH HOME APPLIANCES CORPORATION, ALL RIGHTS RESERVED LITHO DATE: 05/2022