

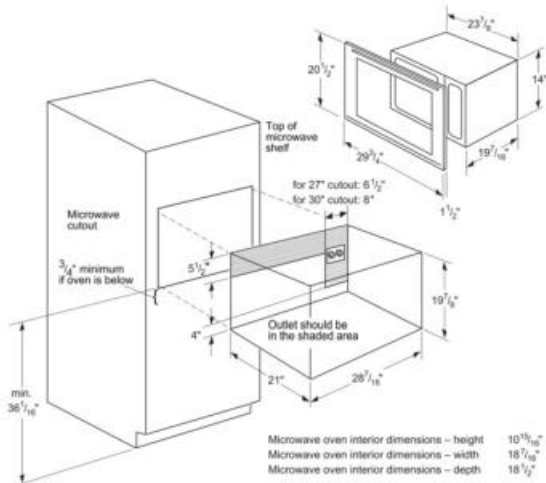


Performance

- Innovative Microwave Inverter technology offers consistent cooking performance
- 1200 Watts Microwave power
- 10 Microwave power levels
- Automatic Beverages Reheat - automatically determines cooking level and time
- Sensor cooking programs measure humidity and adjust cooking level and cooking time
- Popcorn program
- Quick Defrost
- Timer offers automatic delay start mode
- Keep Warm mode
- Quick Minute conveniently adds cooking time
- Spacious 2.1 cu.ft. cavity
- 16 1/2" recessed glass turntable

Design

- Built-in Microwave is the perfect companion for any Thermador Wall Oven
- Chiseled and bold Thermador design
- Available with 27" or 30" Trim Kit for a sleek built-in look
- Premium glass touch control
- Blue digital display with scrolling text



Amps (A)	20
Frequency (Hz)	60
Approval certificates	CSA, UL
Plug type	120V-3 prong
Net weight (lbs)	34
Optional accessories	MBT27JS, MBT30JS, MET27ES, MET30ES
Number of power levels	10
Turntable	Yes
Turntable diameter (in)	16 1/2"
Heating type	Microwave
Cavity material	Lacquered
Door opening	Button