

# 30" Masterpiece® Series Gas Cooktop

## SGSX305FS



### **SGSX305FS Stainless steel**

#### **INNOVATION**

- Most powerful 30" cooktop in the market (amongst leading manufacturers) with an overall 52,000 BTU output
- Patented and exclusive Star® Burner provides superior performance
- Exclusive 200 BTU ExtraLow® burners for perfect simmering
- Progressive illuminated control panel with metal knobs

#### **PERFORMANCE**

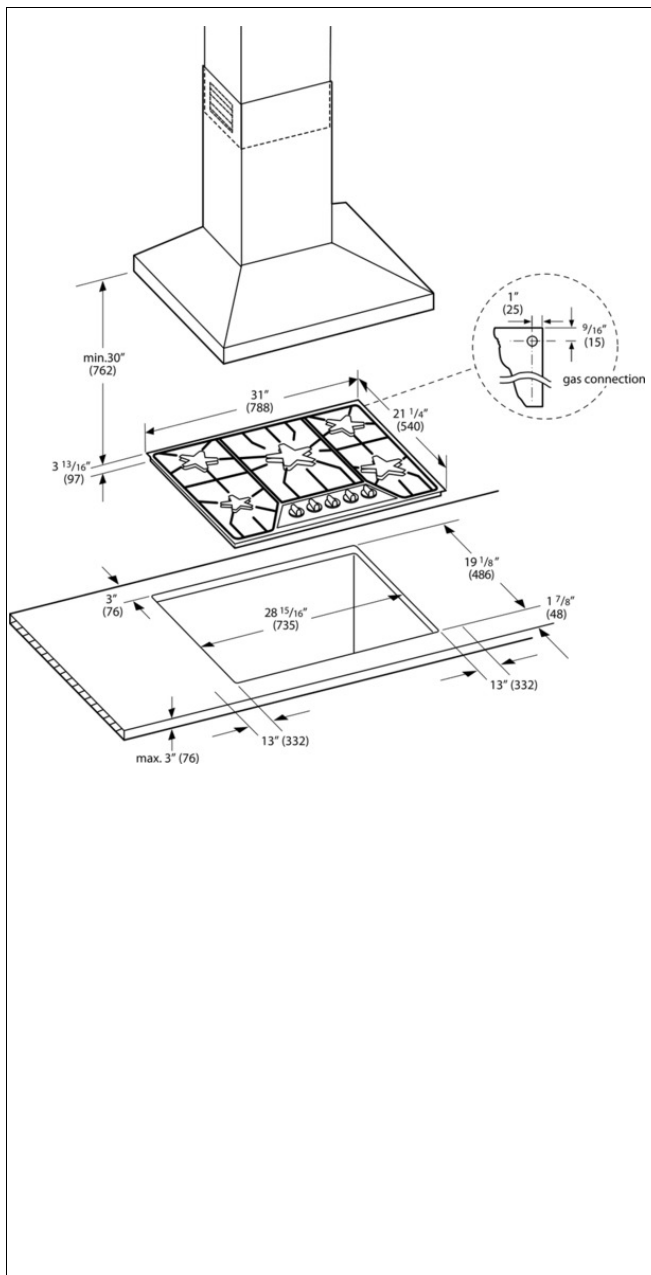
- 30" - 5 burner gas cooktop provides functionality of a 36" cooktop in a compact kitchen environment
- Powerful 16,000 BTU Center Burner
- Continuous grates allow pots and pans to glide smoothly across the cooktop
- Automatic electronic re-ignition
- Knobs feature a safety "push to turn" system
- Single point ignition - only burner that is being used is ignited

#### **DESIGN**

- Chiseled, angular design coordinates with the suite of Thermador Masterpiece™ Collection appliances
- High-grade, quality die cast metal knobs
- Sleek control panel features glass and stainless steel

825225853312

# 30" Masterpiece® Series Gas Cooktop SGSX305FS



## Product Features

Knob Material: Full metal  
 Sealed Burners: Yes  
 Type of grate: Cast iron  
 Natural Gas Connection Rating (BTU): 52000  
 LP Gas Connection Rating (BTU): 45200  
 Power of 1st burner (BTU): 8000  
 Power of 2nd burner (BTU): 10000  
 Power of 3rd burner (BTU): 16000  
 Power of 4th burner (BTU): 8000

## Consumption and connection features

UPC code: 825225853312  
 Variant color: Stainless steel  
 Energy source: Gas  
 Gas type: Natural gas 15 mbar (USA)  
 Alternative gas type: Liquid gas 27,5 mbar (USA)  
 Watts (W): 1800  
 Current (A): 15  
 Volts (V): 120  
 Frequency (Hz): 60  
 Approval certificates: CSA  
 Power cord length (in): 60"  
 Power cord length (cm): 152.4  
 Plug type: 120V-3 prong  
 Required cutout size (HxWxD) (in): 3 13/16" x 28 15/16" x 19 1/8"  
 Required cutout size (HxWxD) (mm): 96.8 x 735 x 486  
 Minimum distance from counter front (in): 1 7/8"  
 Minimum distance from rear wall (in): 3"  
 Overall appliance dimensions (HxWxD) (in): +3 13/16" x 31" x 21 1/4"  
 Overall appliance dimensions (HxWxD) (mm): 96.8 x 787 x 546  
 Product packaging dimensions (HxWxD) (in): 8 3/8" x 37 1/8" x 24 3/4"  
 Net weight (lbs): 38  
 Net weight (kg): 17.000  
 Gross weight (lbs): 46  
 Gross weight (kg): 21.000  
 Total number of cooktop burners: 5

2013-07-12