

# FRONT LOAD WASHER AND DRYER PEDESTAL

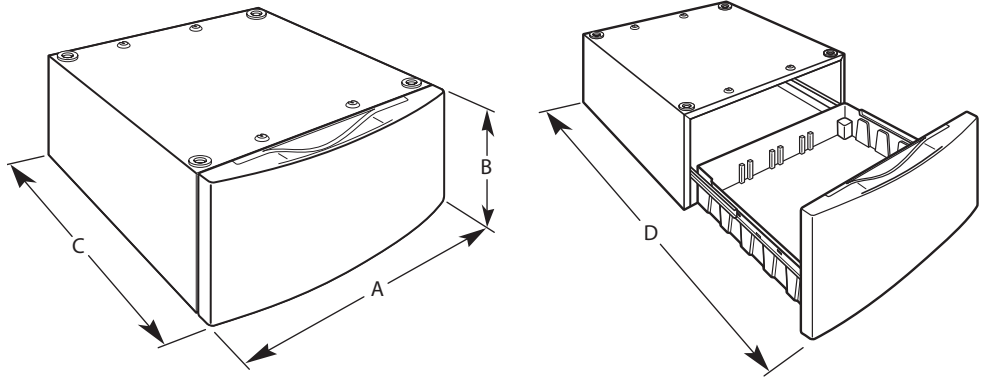
## PRODUCT MODEL NUMBERS

XHPC155XG      XHPC155YC  
 XHPC155XL      XHPC155WW  
 XHPC155XR      XHPC155YU  
 XHPC155XW      XHPW155DW

## LOCATION REQUIREMENTS

If the washer/dryer and pedestal assembly are located in a garage, 3" (76 mm) must be added under the pedestal so that the washer/dryer is 18" (458 mm) above the garage floor.

## PRODUCT DIMENSIONS



Width - "A"	Height - "B"	Depth - includes drawer "C"	Depth - Drawer open "D"
27" (686 mm)	15" (381 mm)	27½" (699 mm)	41½" (1054 mm)