



Drop-In Ceramic Electric Range

PRODUCT MODEL NUMBERS

RS696PXG

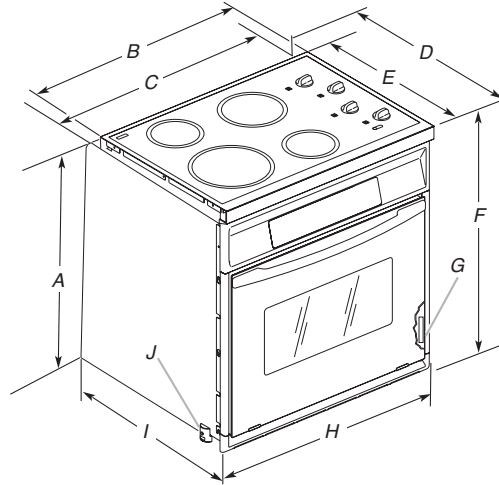
Electrical: Range must be connected to the proper electrical voltage and frequency as specified on the model/serial number rating plate. The model/serial number rating plate is located on the bottom of the right-hand mounting rail.

Models rated from 12.7 kW at 240 volts (9.5 at 208 volts) require a separate 50-amp circuit. A time-delay fuse or circuit breaker is recommended.

Flexible cable from appliance should be connected directly to the junction box. Fuse both sides of the line. Do not cut the conduit. The length of conduit provided is for serviceability of the oven.

A UL listed or CSA approved conduit connector must be provided.

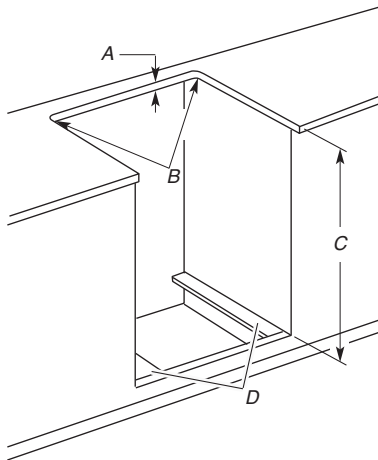
OVERALL DIMENSIONS



- A. 30³/₄" (78.1 cm) recessed height from underside of cooktop to support slats
- B. 29⁷/₃₂" (74.2 cm) cooktop recessed width
- C. 28⁵/₃₂" (71.5 cm) range recessed width
- D. 24¹³/₃₂" (62 cm) to back of range
- E. 21¹/₈" (55.6 cm) cooktop depth
- F. 31³/₈" (79.7 cm) overall height
- G. Model/serial number plate
- H. 30" (76.2 cm) overall width
- I. 23¹/₈" (58.7 cm) recessed depth
- J. Shipping foot (temporary)

CABINET OPENING DIMENSIONS

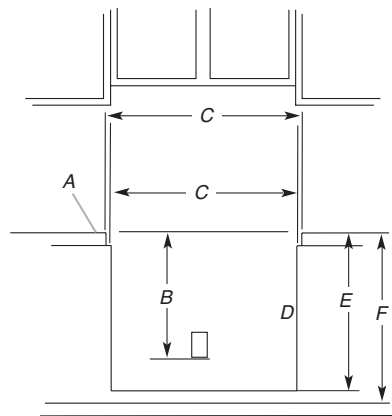
Top view of cabinet cutout



- A. 1¹/₂" (3.8 cm) max. countertop thickness
- B. 1/4" (0.6 cm) radius both corners
- C. 30³/₄" (78.1 cm) top of countertop to support slats
- D. 3¹/₂" (8.9 cm) wide support slat on each side*.

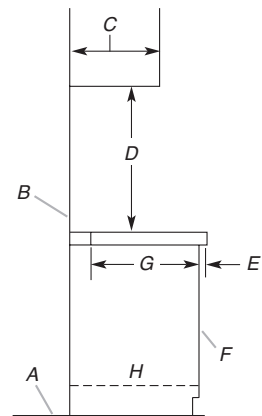
*Slats must be level front to back, as well as with each other.

Front view of cabinet cutout



- A. Top of countertop must be level across front, and front to back.
- B. Locate electrical junction box on rear wall. Bottom of junction box should be 30³/₄" (78.1 cm) max. from top of countertop.
- C. 28¹/₂" (72.4 cm) min. opening width
29⁵/₈" (74.6 cm) opening is recommended if available
- D. 7/8" (1.9 cm) min. required between cutout and cabinet door or hinge
- E. 30³/₄" (78.1 cm) top of countertop to bottom of front cabinet cutout/support slats
- F. 36" (91.4 cm) overall countertop height

Side view of cabinet cutout



- A. Floor
- B. Wall
- C. 13" (33.0 cm) max. upper cabinet depth
- D. For minimum clearances to top of cooktop, see NOTE*
- E. 1¹/₈" (2.9 cm) max.
- F. Cabinet front
- G. 20³/₁₆" (51.6 cm)
- H. 25" (63.5 cm) countertop depth
24" (61.0 cm) lower cabinet depth

***NOTE:** 24" (61 cm) minimum when bottom of wood or metal cabinet is protected by not less than 1/4" (0.64 cm) flame retardant millboard covered with not less than No. 28 MSG sheet steel, 0.015" (0.4 mm) stainless steel, 0.024" (0.6 mm) aluminum or 0.020" (0.5 mm) copper.