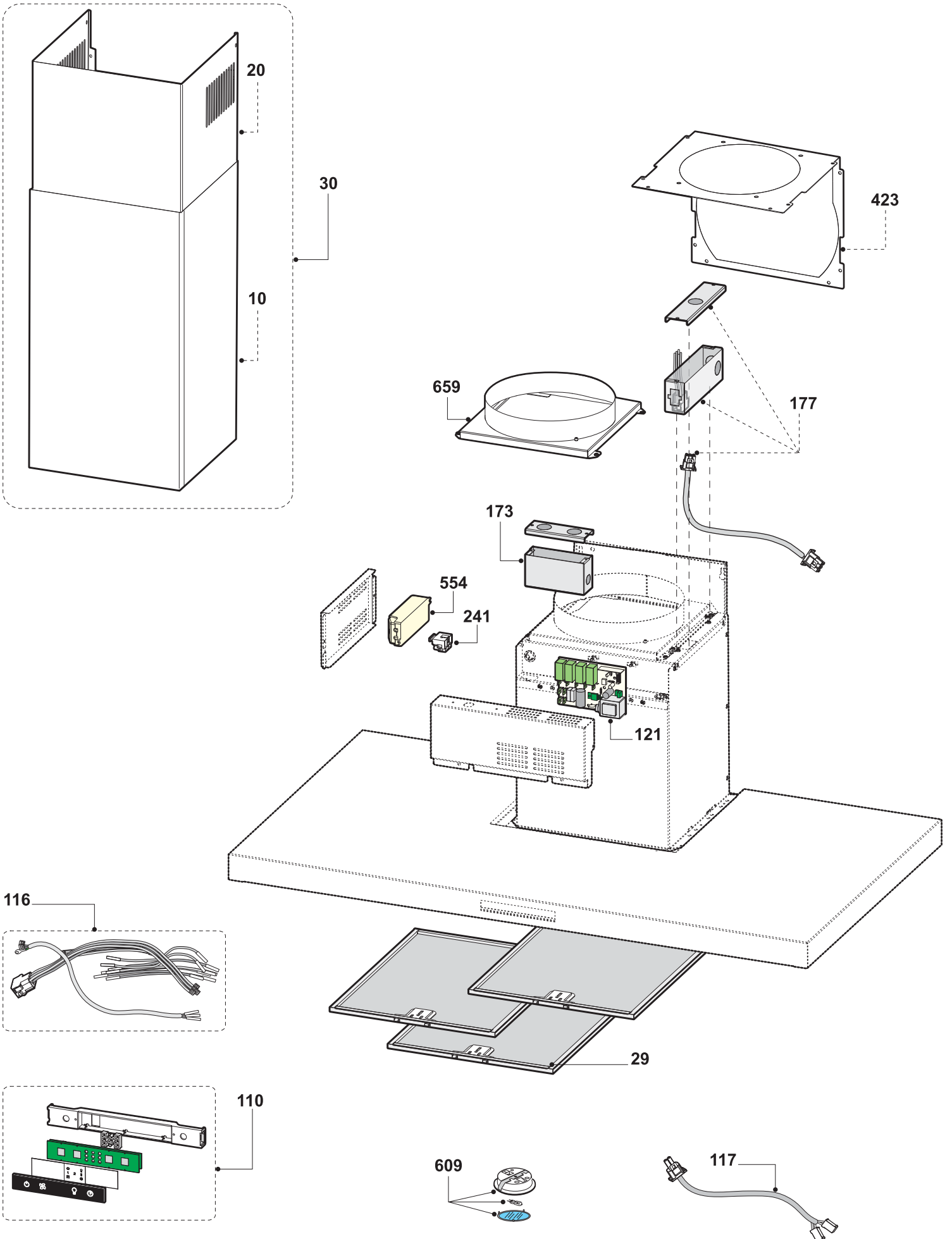


Duo Wall





Duo Wall

ADU-M90ASX

Ref #	Zephyr #	Description	Per Hood
10	50050068	Duct Cover, Lower	1
20	50050069	Duct Cover, Upper	1
29	50200031	Filter, Metal Mesh	3
30	50050070	Duct Cover Set	1
110	11000047	Switch Assembly	1
116	11030051	Internal Wiring	1
117	11030049	Light Cables	1
121	11010037	Control Board	1
173	56200063	Electrical Box	1
177	11030052	Remote Blower Wiring and Box	1
201	50110076	Panel, Light	1
241	12170001	Fuse and Fuse Box	1
321	05000061	Hardware Packet	1
423	54110054	Bracket, Motor	1
554	12110015	Transformer	1
609	50500060	Halogen Light Assembly	2
609-1	Z0B-0013	Halogen Bulb, G4, 20w	2
659	54050068	Motor Flange	1

FEB09.0101