

EUROPA

SORRENTO

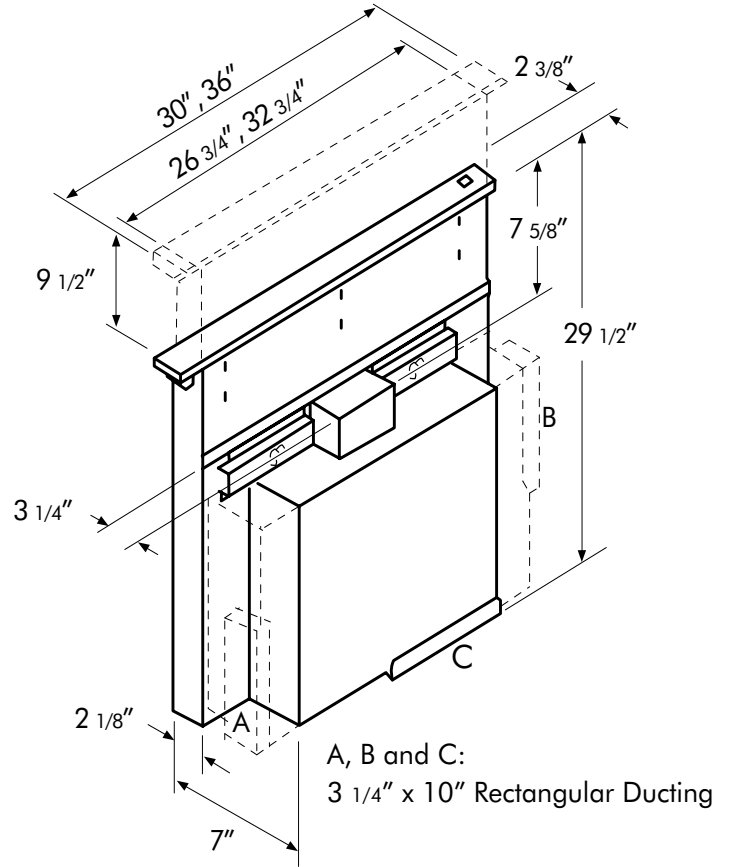
DOWNDRAFT

Ideal for small kitchens or for island settings where ceilings are too high for ducting, Sorrento rises to the occasion. The brushed stainless steel filter unit houses quiet, efficient centrifugal blowers. An automatic heat

sensor adjusts blowers in high-heat conditions. The press of a button lets you conveniently raise and lower this hood.

ZEPHYR

ZEPHYRONLINE.COM



MODEL	DD1-E30AS	DD1-E36AS
Stainless Steel		
Size	30"	36"
Blower CFM (Max.)	500	500
Sones	NA	NA
FEATURES		
Controls	Control Knob	Control Knob
Speed Levels	Variable	Variable
Auto On/Off*	Yes	Yes
Automatic Heat Sensor**	Yes	Yes
Filters	Decorative Mesh x2	Decorative Mesh x2
DUCT SPECIFICATIONS		
Internal Blower (Left, Right or Bottom)	3-1/4" x 10"	3-1/4" x 10"
AC POWER	120V, 60Hz at Max. 4A	120V, 60Hz at Max. 4A
OPTIONAL ACCESSORIES		
Remote Up/Down Control	DDA-0001	DDA-0001
Make-Up Air Kit	MUA006A	MUA006A
HEIGHT ACCOMODATIONS	Total Rise 9-1/2"	Total Rise 9-1/2"
WARRANTY	2 years parts, 1 year labor	2 years parts, 1 year labor

*Automatically turns on or off when raising or lowering the air vent if control knob is turned on.

**Automatic heat sensor adjusts speed of blower to high in case of excess heat.

Note: Not for use with built-in ovens.