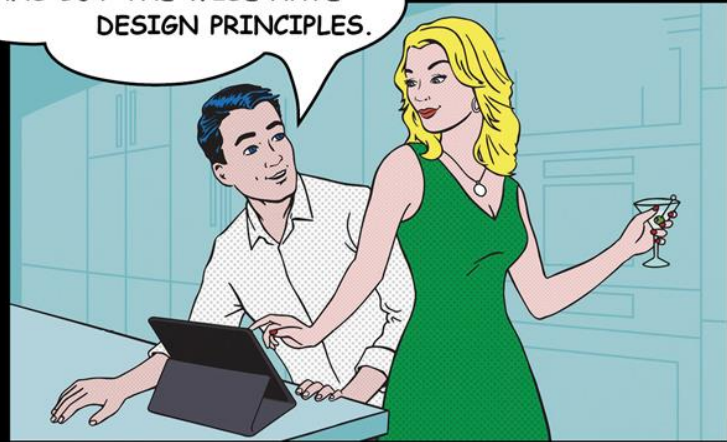
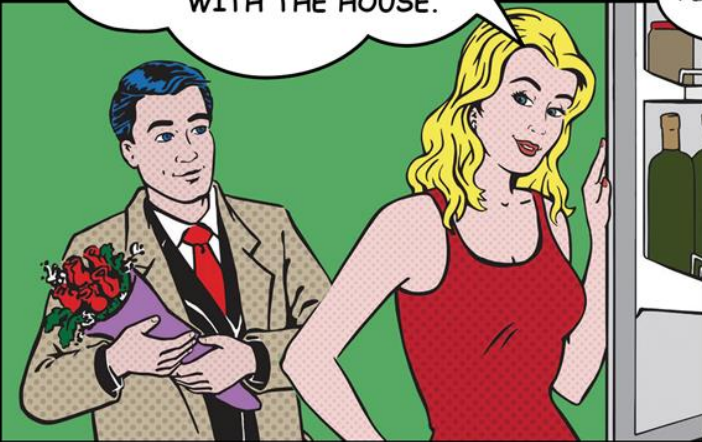


HELP! THE ONLY REASON I HAVE A KITCHEN IS THAT IT CAME WITH THE HOUSE.

THE INTELLIGENT HAVE PLANS BUT THE WISE HAVE DESIGN PRINCIPLES.



EM038K6BD

24" Over-the-Range Microwave

Porter & Charles

2019 SPECIFICATION SHEET

EM038K6BD

24" Over-the-Range Microwave

The MICROVENT provides convenience at your fingertips. The hood fan will eliminate cooking odors while the microwave allows you to defrost and cook food to perfection. Finished in easy to clean stainless steel, complete the sleek style of your kitchen with this space saving unit.



RANGEHOOD FEATURES

- 24" 1000w over the range microwave
- 38L
- Stainless steel
- 300 CFM
- Bottom control panel
- Pocket/ Recessed handle on Right, Hinges Left.
- Time/Weight defrost
- Auto menu
- Sensor cook menus (optional)
- 10 power levels
- Kitchen timer / digital clock function
- LED surface lighting
- 2 Speed Vent Fan: High / Low/ Off
- Turntable on / off

RANGEHOOD DIMENSIONS

D: 432mm W: 606mm H:411mm

D: 17" W: 23^{7/8}" H: 16^{3/16}"

CUT-OUT DIMENSIONS

W: 610mm H: 420mm

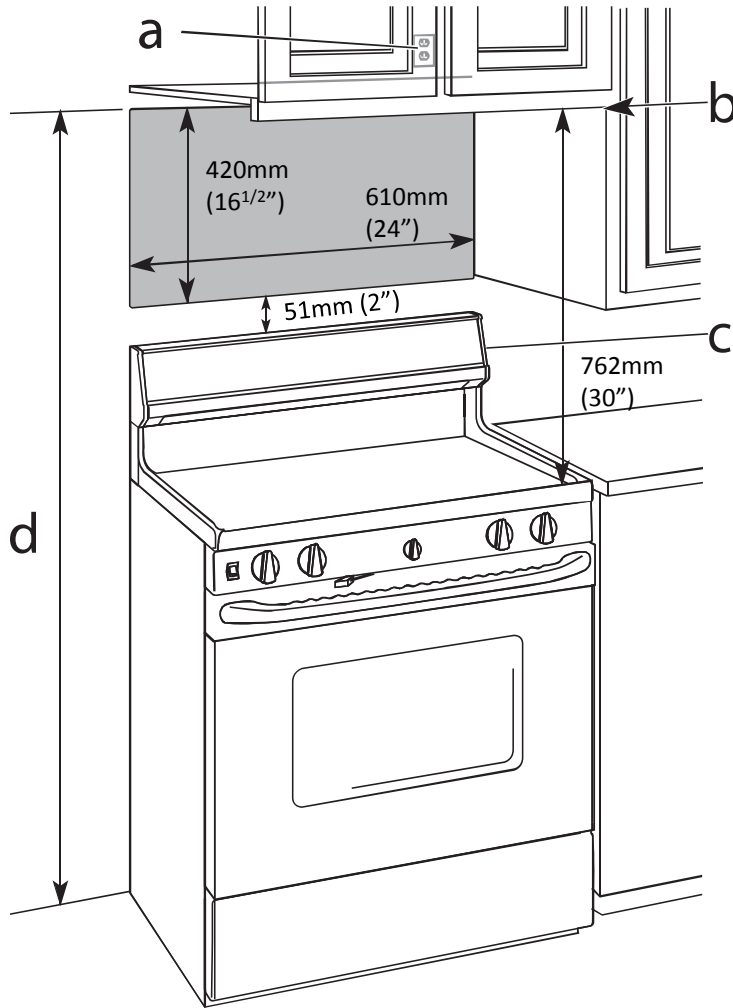
W: 24" H: 16^{1/2}" mm

ELECTRICAL REQUIREMENTS

- 120V, 60Hz, 1500 Watts, 20AMPS

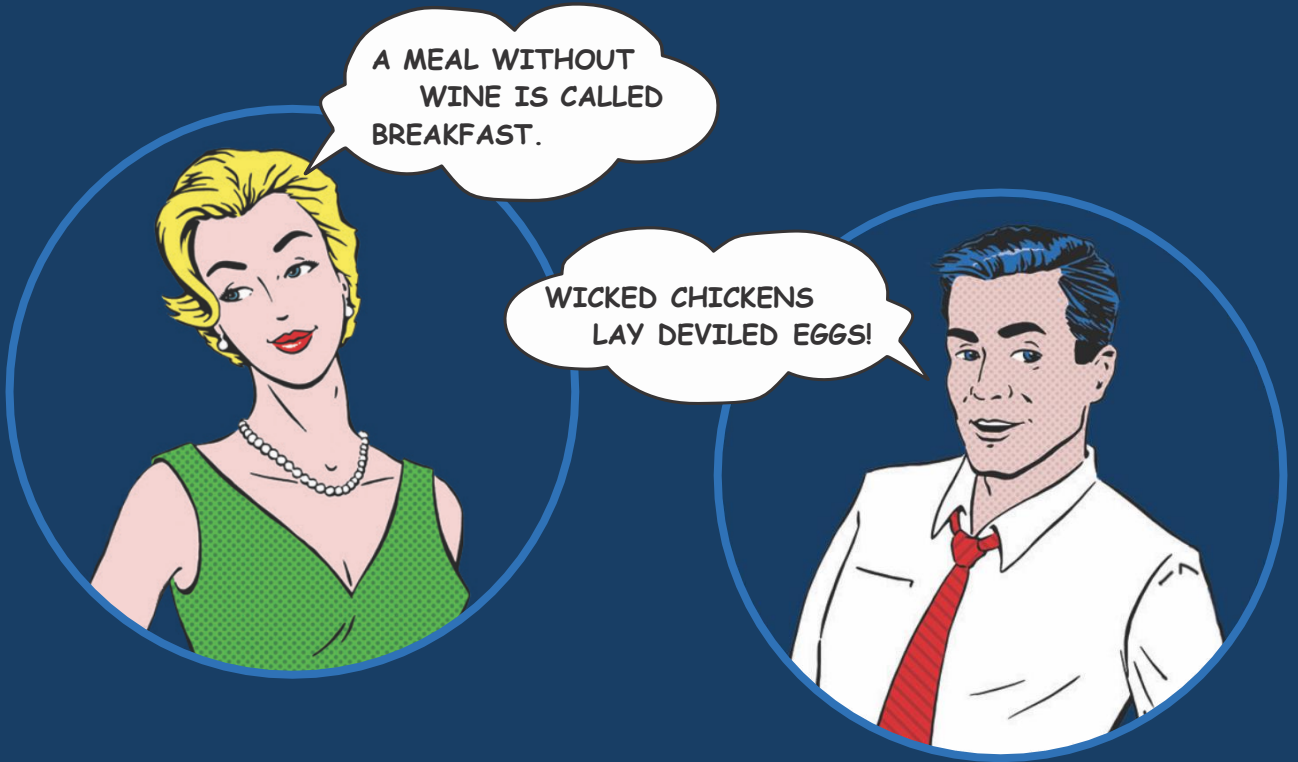
SPECIFICATIONS

EM038K6BD



- (A) Grounded 3 Prong Outlet
- (B) Bottom edge of cabinet needs to be 30" (76.2 cm) or more from the cooking surface.
- (C) Backsplash
- (D) 66" (167.6 cm) or more from the floor to the top of the microwave

- The space between the cabinets on each side of the range must be at least 24" (61 cm) wide and free of obstructions.
- Grounded electrical outlet inside overhead cabinet. See "Electrical Requirements" section.
- If you are going to vent the microwave oven to the outside, see "Install Microwave Oven" for exhaust and duct preparation.
- When installing the microwave oven beneath smooth, flat cabinets, follow the instructions on the Top Cabinet template for power cord clearance.



Porter & Charles Appliances are designed and manufactured to the highest standards. Each appliance is covered by a comprehensive 2-year parts and labour warranty.

Refer to product warranty policy for complete terms and conditions.

FOR PARTS AND SERVICE

Euro-Parts & Service

39822 Belgrave Road, Belgrave, ON. N0G 1E0
1 800 678 8352 (Canada) • 1 800 561 4614 (U.S.)

www.euro-parts.ca • parts@euro-parts.ca • service@euro-parts.ca

Porter & Charles appliances are imported and distributed in North America by Euro-Line Appliances Inc. For more information, please visit one of our showrooms or

www.euro-line-appliances.com / www.elawest.com

EURO-LINE APPLIANCES INC.

871 Cranberry Court
Oakville, ON L6L 6J7 Canada
905 829 3980
1 800 421 6332

marketing@euro-line-appliances.com

EURO-LINE APPLIANCES WEST INC.

101-1014 Homer Street
Vancouver, BC V6B 2W9 Canada
604 235 3980
1 855 ELA WEST (352 9378)

info@elawest.com

