

INSTALLER: LEAVE THESE INSTRUCTIONS WITH THE APPLIANCE



INSTALLATION MANUAL

Gas 30-inch Wide Free-Standing Range

PLEASE KEEP THIS MANUAL FOR FUTURE REFERENCE

THE MANUAL IS INTENDED TO ASSIST IN THE INITIAL INSTALLATION AND ADJUSTMENTS OF THE RANGE.

SPECIAL WARNING

Only qualified personnel should install or service this range.

Read “Safety Instructions” in the Use & Care book before using range.

Improper installation, adjustment, alteration, service, maintenance or use of range can result in serious injury or property damage.

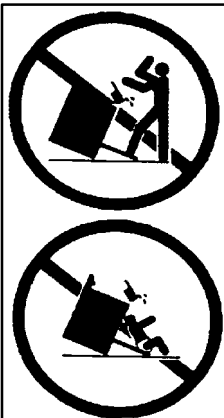
CLEARANCE DIMENSIONS

Range may be installed with zero inches clearance adjacent to (against) combustible construction at the rear and on the sides below the cooktop. For complete information in regard to the installation of wall cabinets above the range and clearances to combustible wall above the cooking top see the installation drawings. For SAFETY CONSIDERATIONS do not install a range in any combustible cabinetry which is not in accord with the installation drawings.

* **NOTE:** 30 inch (76.2 cm) dimension between cooking top and wall cabinet shown on illustration does not apply to ranges with an elevated oven. **The installation instructions of the elevated oven will specify the minimum acceptable dimension between the cooktop and elevated oven.** The 30 inch (76.2 cm) dimension may be reduced to not less than 24 inches (61 cm) when the wall cabinets in a domestic home are protected with fireproof materials in accordance with American National Standards - National Fuel Gas Code or in mobile homes when they are protected with fireproof materials in accordance with the Federal Standard for Mobile Home Construction and Safety.

To eliminate the risk of burns or fire by reaching over heated surface units, cabinet storage space located above the surface units should be avoided. If cabinet storage is to be provided, the risk can be reduced by installing a range hood that projects horizontally a minimum of 5 inches (13 cm) beyond the bottom of the cabinets.

CAUTION: This range has been designed in accordance with the requirements of various safety agencies and complies with the maximum allowable wood cabinet temperatures of 194°F. If this range is installed with cabinets that have a lower working temperature than 194°F, discoloration, delamination or melting may occur.



WARNING

- ALL RANGES CAN TIP AND CAUSE INJURIES TO PERSONS.
- INSTALL ANTI-TIP DEVICES PACKED WITH RANGE.
- FOLLOW ALL INSTALLATION INSTRUCTIONS.

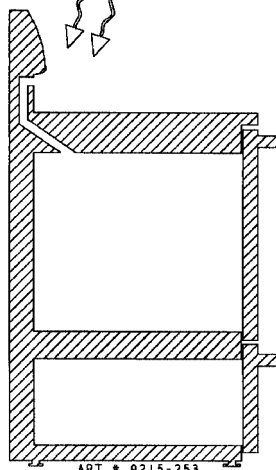
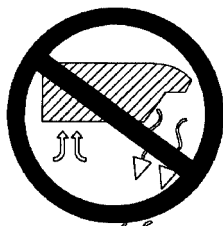
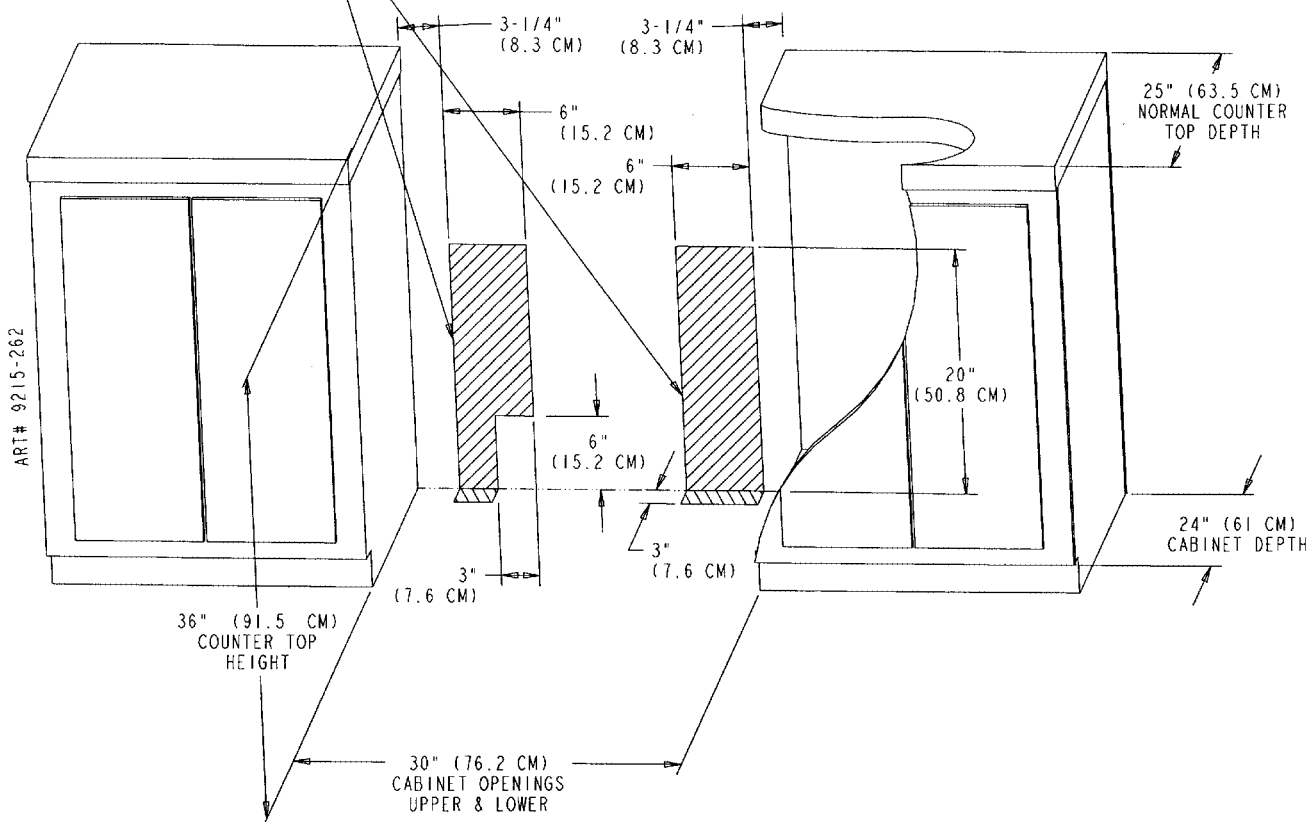
Your range may not be equipped with some of the features referred to in this manual.

INSTALLATION DRAWINGS

FREE-STANDING

RECOMMENDED GAS SUPPLY AND/OR 120 VOLT GROUNDED FLUSH MOUNT ELECTRICAL OUTLET LOCATION.

GAS AND ELECTRICAL SUPPLY SHOULD NOT CONVERGE.
DO NOT GROUND ELECTRICAL SUPPLY TO GAS SUPPLY LINES.
NOTE: TO ENSURE FLUSH TO WALL INSTALLATION GAS SERVICE INCLUDING SHUT-OFF VALVE SHOULD NOT PROTRUDE MORE THAN 3" (7.6 CM) FROM REAR WALL.



WARNING

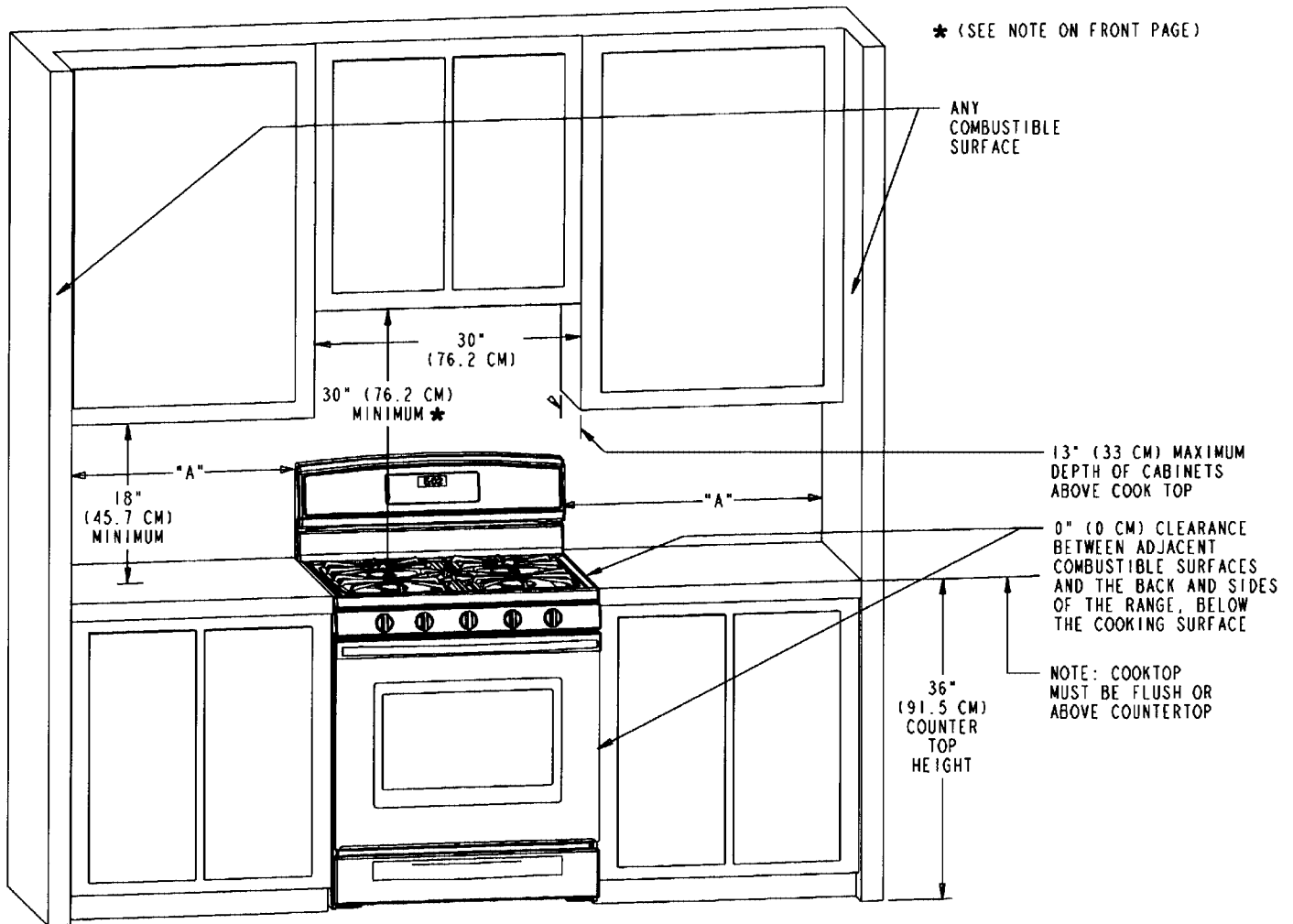
THIS PRODUCT SHOULD NOT BE INSTALLED BELOW A VENTILATION TYPE HOOD SYSTEM THAT DIRECTS AIR IN A DOWNWARD DIRECTION.

(SEE FIGURE)

THESE SYSTEMS MAY CAUSE IGNITION AND COMBUSTION PROBLEMS WITH THE GAS BURNERS RESULTING IN PERSONAL INJURY AND MAY AFFECT THE COOKING PERFORMANCE OF THE UNIT.

NOTE: THE FIGURE MAY NOT ACCURATELY REPRESENT YOUR RANGE OR COOKTOP; HOWEVER, THIS WARNING APPLIES TO ALL GAS COOKING PRODUCTS.

ART# 9215-235-0



DIMENSION "A" SIDE CLEARANCE ABOVE COOKING SURFACE = 3 INCHES (7.6 CM) (MINIMUM)

Check the range model number plate located on lower front of range to see if the range is approved for installation in mobile homes and/or recreational park trailers. If approved the following items are applicable.

MOBILE HOMES

The installation of a range designed for mobile home installation must conform with the Manufactured Home Construction and Safety Standard, Title 24 CFR, Part 3280 [formerly the Federal Standard for Mobile Home Construction and Safety, Title 24 HUD, (Part 280)] or, when such standard is not applicable, the Standard for Manufactured Home Installations, ANSI A225.1/NFPA 501A, or with local codes.

In Canada the range must be installed in accordance with the current CSA Standard C22.1 - Canadian Electrical Code Part 1 and Section Z240.4.1 - Installation Requirements for Gas Burning Appliances in Mobile Homes (CSA Standard CAN/CSA - Z240MH).

RECREATIONAL PARK TRAILERS

The installation of a range designed for recreational park trailers must conform with state or other codes or, in the absence of such codes, with the Standard for Recreational Park Trailers, ANSI A119.5-latest edition.

In Canada the range must be installed in accordance with CAN/CSA - Z240.6.2 - Electrical Requirements for R.V.'s (CSA Standard CAN/CSA - Z240 RV Series) and Section Z240.4.2 - Installation Requirements for Propane Appliances and Equipment in R.V.'s (CSA Standard CAN/CSA - Z240 RV Series).

LOCATING THE RANGE

Place range in a well lit area.

Do not set range over holes in the floor or other locations where it may be subject to strong drafts. Any opening in the wall behind the range and in the floor under the range should be sealed. Make sure the flow of cooling/ventilation air is not obstructed below the range.

NOTE: A range should NOT be installed over kitchen carpeting.

ANTI-TIP DEVICE INSTALLATION INSTRUCTIONS

NOTE: A risk of range tip over exists if the appliance is not installed in accordance with the installation instructions provided. The proper use of this device minimizes the risk of TIP-OVER. In using this device the consumer must still observe the safety precautions as stated in the USE and CARE MANUAL and avoid using the oven door and/or lower drawer as a step stool.

Installation instructions are provided for wood and cement in either floor or wall. Any other type of construction may require special installation techniques as deemed necessary to provide adequate fastening of the ANTI-TIP bracket to the floor or wall.

STEP 1 - Locating The Bracket (see figure 1)

- Determine where either the right or left rear "edge" of the range will be located and mark the floor or wall.
- Place the BRACKET 9/16" (14.5 mm) from the marked "EDGE" toward center of opening and against the back wall as shown in figure 1, with orientation hole against wall.
- Use the bracket as a template and mark the required holes, as shown in figure 1 for the type of construction you will be using.

STEP 2 - Anti-Tip Bracket Installation

- Wood Construction:**
 - Floor: Locate the center of the two holes identified in figure 1 as "HOLES FOR FLOOR". Drill a 1/8" (3 mm) pilot hole in the center of each hole (a nail or awl may be used if a drill is not available). Secure the ANTI-TIP bracket to the floor with the two screws provided. Proceed to STEP 3.
 - Wall: Locate the center of the two holes identified in figure 1 as "HOLES FOR WALL". Drill an angled 1/8" (3 mm) pilot hole in the center of each hole as shown in figure 2. (A nail or awl may be used if a drill is not available). Secure the ANTI-TIP bracket to the wall with the two screws provided as shown in figure 2. Proceed to STEP 3.

B. Cement or Concrete Construction:

- Suitable screws for concrete construction can be obtained at a hardware store. Drill the required size hole for the screws obtained into the concrete at the center of the holes identified in figure 1 as "HOLES FOR FLOOR". Secure the ANTI-TIP bracket to the floor. Proceed to STEP 3.

STEP 3 - Range Installation

- For safety considerations as well as optimum performance, adjust the range so it is level and to desired height prior to installing in cabinet opening.

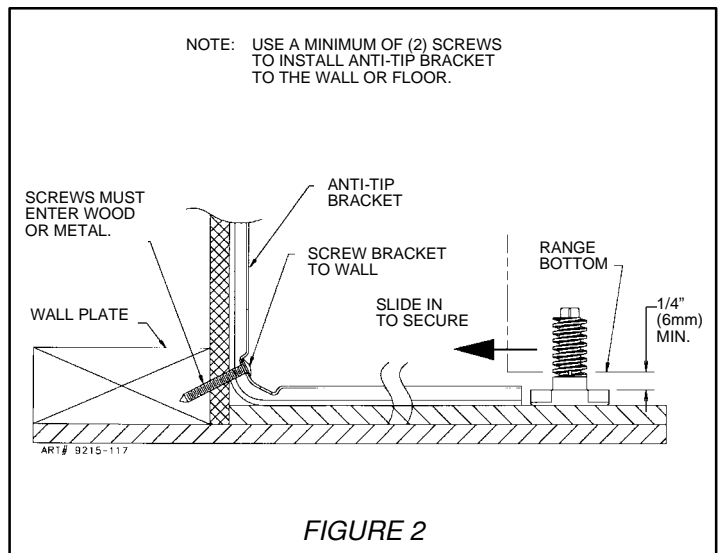
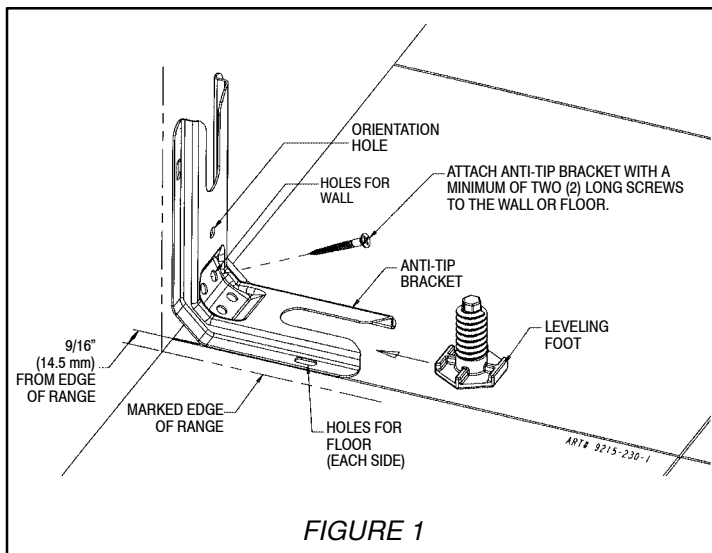
NOTE: Cooktop MUST be flush or above countertop.

Levelness may be checked by placing a spirit level or a large pan of water on the cooktop or oven rack. Adjust the range by tipping it forward or back and rotate the leveling feet as required.

NOTE: A minimum clearance of 1/4" (6 mm) is required between the range and the leveling foot that will engage the anti-tip bracket, (see figure 2).

CAUTION: Damage to the range may occur if range is moved or lifted by grasping the main top, backguard or door handles.

- Align the range to its designated location and prepare to slide it back into position. Connect gas line and plug in power cord to outlet following guidelines outlined in connecting the range and remainder of installation instructions.
- Slide range in place visually inspecting to verify that power cord and gas line are freely routed and contained within recessed area of back panel.
- To check the range for proper installation of the anti-tip bracket, use a flashlight and look underneath the bottom of the range to see that one of the rear leveling feet is engaged in the bracket slot.



CONNECTING THE RANGE

Electric Supply

The appliance, when installed, must be electrically grounded in accordance with local codes or, in the absence of local codes, with the National Electrical Code, ANSI/NFPA 70.

In Canada the range must be installed in accordance with the current CSA Standard C22.1 - Canadian Electrical Code Part 1.

Electrical Supply Connection

The range requires 120 volts, 60 cycle alternating current from a grounded outlet with a 15 amp circuit breaker. See serial plate for rating, located on lower surface of front frame.

User may experience occasional circuit tripping if Ground Fault Circuit Interrupter (GFCI) outlet or breaker is in use.



WARNING

Electrical Grounding Instructions

This appliance is equipped with a (three-prong) grounding plug for your protection against shock hazard and should be plugged directly into a properly grounded receptacle. Do not cut or remove the grounding prong from this plug.



WARNING

DISCONNECT ELECTRICAL SUPPLY BEFORE SERVICING THE APPLIANCE.

Gas Supply

Installation of this range must conform with local codes or, in the absence of local codes, with the National Fuel Gas Code, ANSI Z223.1-latest edition.

In The Commonwealth Of Massachusetts

This product must be installed by a licensed plumber or gas fitter when installed within the Commonwealth of Massachusetts.

A "T" handle type manual gas valve must be installed in the gas supply line to this appliance.

A flexible gas connector, when used, must not exceed a length of three (3) feet / 36 inches.

In Canada the range must be installed in accordance with the current CGA Standard CAN/CGA-B149 - Installation Codes for Gas Burning Appliances and Equipment and/or local codes.



WARNING

Gas leaks may occur in your system and result in a dangerous situation. Gas leaks may not be detected by smell alone. Gas suppliers recommend you purchase and install an UL approved gas detector. Install and use in accordance with the manufacturer's instructions.

Checking Pressure Of House Piping System

1. The appliance and its individual shutoff valve must be disconnected from the gas supply piping system during any pressure testing of that system at test pressures in excess of 1/2 lbs./sq. in. (3.5 kPa) (13.8 in. water column).
2. The appliance must be isolated from the gas supply piping system by closing its individual manual shutoff valve during any pressure testing of the gas supply piping system at test pressures equal to or less than 1/2 lbs./sq. in. (3.5 kPa) (13.8 in. water column).

Gas Supply Connection (See figure 3)

A QUALIFIED SERVICEMAN OR GAS APPLIANCE INSTALLER MUST MAKE THE GAS SUPPLY CONNECTION. Leak testing of the appliance shall be conducted by the installer according to the instructions given in section h.

NATURAL GAS SUPPLY LINE MUST HAVE A NATURAL GAS SERVICE REGULATOR. INLET PRESSURE TO THIS APPLIANCE SHOULD BE REDUCED TO A MAXIMUM OF 14 INCHES WATER COLUMN (0.5 POUNDS PER SQUARE INCH (P.S.I.)). LIQUEFIED PETROLEUM (L.P.)/PROPANE GAS SUPPLY LINE MUST HAVE A L.P. GAS PRESSURE REGULATOR. INLET PRESSURE TO THIS APPLIANCE SHOULD BE REDUCED TO A MAXIMUM OF 14 INCHES WATER COLUMN (0.5 P.S.I.). INLET PRESSURES IN EXCESS OF 0.5 P.S.I. CAN DAMAGE THE APPLIANCE PRESSURE REGULATOR AND OTHER GAS COMPONENTS IN THIS APPLIANCE AND CAN RESULT IN A GAS LEAK.

NOTE: This range is shipped from the factory set for Natural Gas at 4" water column pressure.

Gas supply pressure for testing regulator must be at least 1" water column pressure above manifold pressure shown on serial plate.

If conversion to LP Gas is required, convert regulator before installation. Oven and top burner conversion can be made from front of range.

Recommended Gas Supply Connections

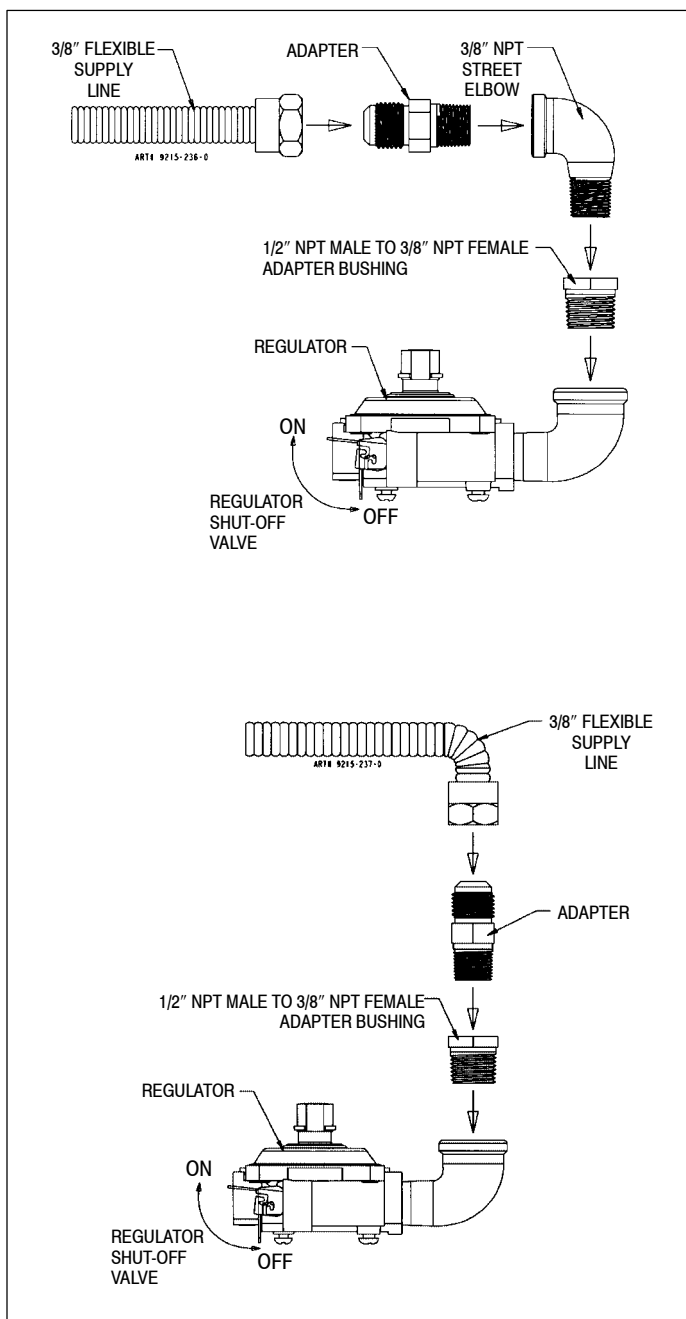


FIGURE 3

WHEN THE INSTALLER HAS COMPLETED INSTALLATION OF THE APPLIANCE, LEAVE THE APPLIANCE PRESSURE REGULATOR SHUT-OFF VALVE IN THE **“ON”** POSITION.

- a. A GAS CUTOFF VALVE SHOULD BE PUT IN AN ACCESSIBLE LOCATION IN THE SUPPLY LINE AHEAD OF THE RANGE, FOR TURNING ON AND TURNING OFF GAS SUPPLY. If range is to be connected to house piping with flexible or semi-rigid metal connectors for gas appliances, CONNECTOR NUTS MUST NOT BE CONNECTED DIRECTLY TO PIPE THREADS. THE CONNECTORS MUST BE INSTALLED WITH ADAPTORS PROVIDED WITH THE CONNECTOR.
- b. The house piping and/or range connector used to connect the range to the main gas supply must be clean, free of metal shavings, rust, dirt and liquids (oil or water). Dirt, etc. in the supply lines can work its way into the range manifold and in turn cause failure of the gas valves or controls and clog burners and/or pilot orifices.

CAUTION: DO NOT LIFT OR MOVE RANGE BY DOOR HANDLES, OR BACKGUARD.

- c. Turn off all pilots and main gas valve of other gas appliances.
- d. Turn off main gas valve at meter.
- e. Before connecting range, apply pipe thread compound approved for LPG to all threads.
- f. Use only a flexible connector to connect range to gas supply at appliance pressure regulator using adaptors supplied with connector. Regulator supplied with range has 1/2" NPT female connection.

NOTE: It is recommended to use a CSA certified flexible connector no longer than 36" (91.4 cm) with a minimum BTU/HR rating of 88,200.

See serial plate for type of gas range has been manufactured for.

- g. Turn on main gas valve at meter, and relight pilots at other gas appliances.
- h. Apply a non-corrosive leak detection fluid to all joints and fittings in the gas connection between the supply line shut-off valve and the range. Include gas fittings and joints in the range if connections were disturbed during installation. Check for leaks! Bubbles appearing around fittings and connections will indicate a leak. If a leak appears, turn off supply line gas shut-off valve, tighten connections, turn on the supply line gas shut off valve, and retest for leaks.

CAUTION: NEVER CHECK FOR LEAKS WITH A FLAME.

WHEN LEAK CHECK IS COMPLETE, WIPE OFF ALL RESIDUE.

RANGE ADJUSTMENTS

Top Section - Electric Ignition

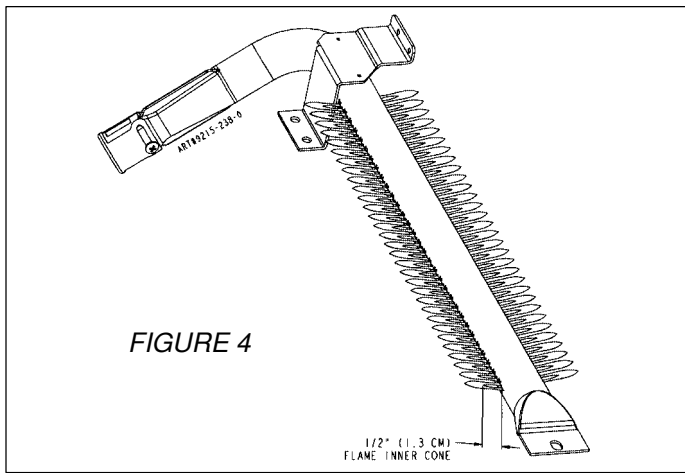
To operate, push and turn top burner knob to the LITE position. The top burner will light. To turn OFF spark after the top burner has ignited, turn knob to HI setting.

NOTE: Top burners are not adjustable.

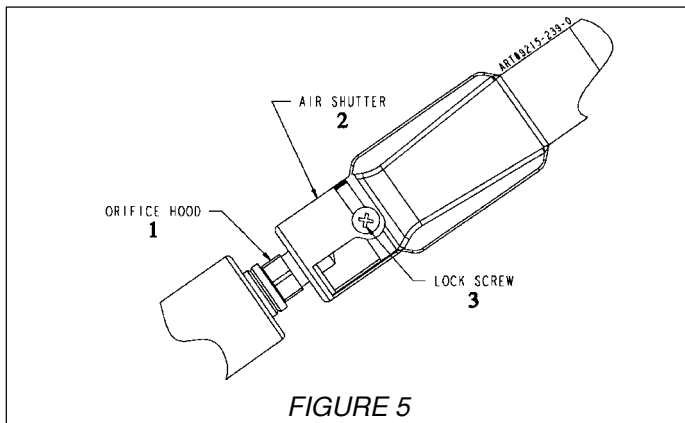
Air Shutter - Bake/Broil Burner

NOTE: If oven burner does not ignite, check oven gas shut-off position at the regulator.

- a. The approximate length of the flame of oven burner is a 1/2 inch distinct inner blue flame, figure 4.



- b. Bake/broil burner flame can be checked as follows:
 1. Yellow flame on burner - open burner air shutter to the widest opening that will not cause the flame to lift or blow off the burner when cold. (See #2 on figure 5). Some yellow tipping on LP is normal.
 2. Distinct blue flame but lifting - close burner air shutter to the point where it will not cause the flame to lift or blow off the burner when cold. (See #2 on figure 5).



GAS CONVERSION

When conversion is required, convert regulator before installation.

To access the regulator shut-off from front of range, remove the storage drawer.

To remove storage drawer: Pull out to the first stop position. Lift up front of drawer and pull to the second position, grasp sides and lift up and out to remove drawer.

To replace: Fit the drawer rollers onto the rails. Lift up drawer front and gently push in to first stop position. Lift up and continue to slide drawer to the closed position.

General

This unit is equipped with a convertible appliance pressure regulator, fixed bake & broil orifice hoods, and top burner orifices pre-set at the factory for natural gas.

To convert the unit to either LP or Natural gas will require adjustment of the air shutter on the bake & broil burner, adjustment of the pressure regulator converter cap, and replacement of the bake and broil burner orifice hoods and top burner orifices.

NOTE: Bake and broil burner orifice hoods and top burner orifices for converting unit to LP gas are contained in a kit attached to rear of unit.

Conversion instructions are included in kit. Save orifices removed from appliance for future use.

Inlet pressure to the appliance pressure regulator should be as follows for both operation and checking of appliance pressure regulator setting:

INLET PRESSURE IN INCHES OF WATER COLUMN	NATURAL GAS	LP GAS
Minimum	5	11
Maximum	14	14

Appliance Pressure Regulator Conversion

The unit appliance pressure regulator must be set to match the type gas supply used. If converting from natural gas to LP gas, the appliance pressure regulator must be converted to regulate LP gas. If converting from LP gas to natural gas, the appliance pressure regulator must be converted to regulate natural gas.

To convert the appliance pressure regulator from one gas to another, follow the instructions below:

- Remove plastic dust cover from cap nut on top of appliance pressure regulator. Remove cap nut from appliance pressure regulator (plastic dust cover comes off with nut). "IMPORTANT" remove plastic dust cover from cap nut and reinstall on opposite side of cap nut.
- Reinstall cap nut to appliance pressure regulator and replace dust cover. "**CAUTION**" be sure marking for the type of gas to which appliance pressure regulator has just been converted is visible in top of cap nut before replacing plastic dust cover. (See figure 6).

NOTE: If oven burner does not ignite, check oven gas shut-off position at the regulator.

HOW TO REMOVE RANGE FOR SERVICING

Follow these procedures to remove appliance for servicing:

1. Slide range forward to disengage range from the anti-tip bracket.
2. Shut off gas supply to appliance.
3. Disconnect electrical supply to appliance.
4. Disconnect gas supply tubing to appliance.
5. Reverse procedure to reinstall. If gas line has been disconnected, check for gas leaks after reconnection.

NOTE: A qualified servicer should disconnect and reconnect the gas supply.

The servicer **MUST** follow installation instructions provided with the gas appliance connector and the warning label attached to the connector.

6. To prevent range from accidentally tipping, range must be secured to the floor by sliding rear leveling leg into the anti-tip bracket.

SERVICE-PARTS INFORMATION

When your range requires service or replacement parts, contact your dealer or authorized service agency. Please give the complete model and serial number of the range which is located on range model number plate.

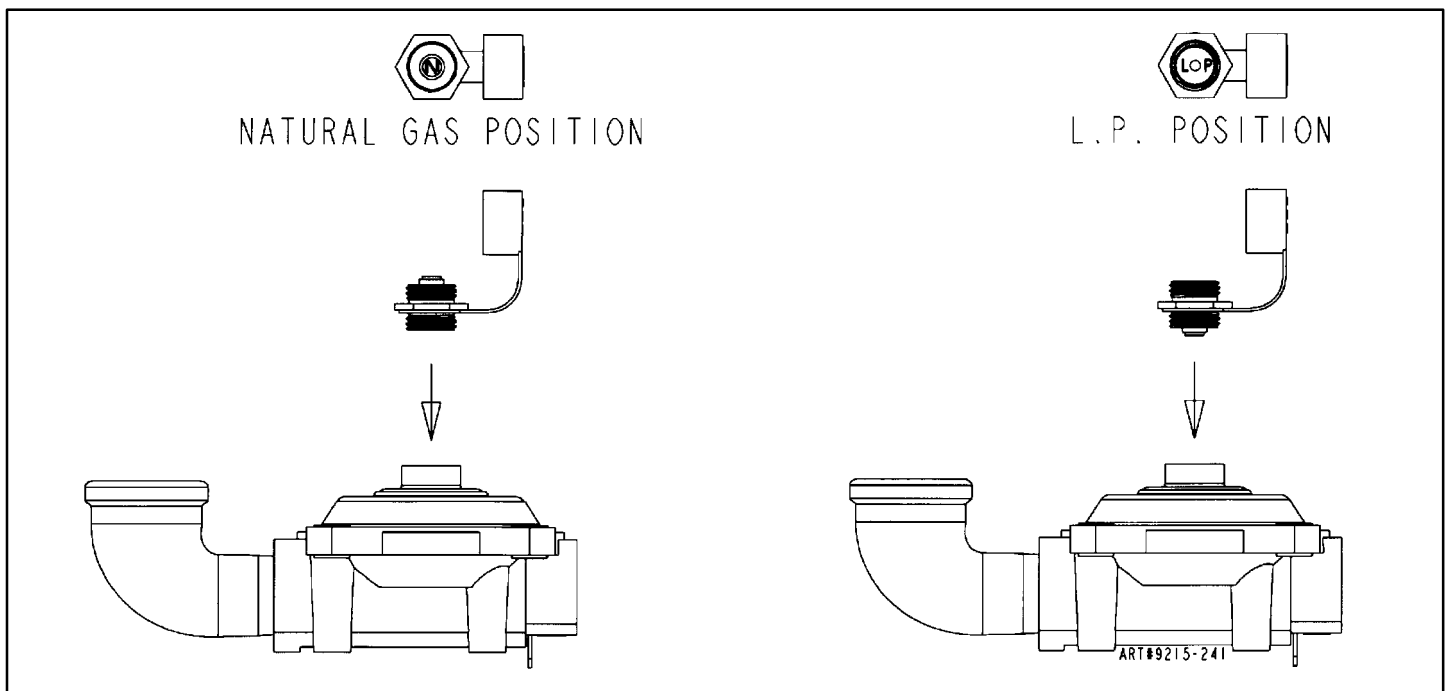


FIGURE 6

INSTALADOR: DEJE ESTAS INSTRUCCIONES CON EL ELECTRODOMÉSTICO



MANUAL DE INSTALACIÓN

Estufa independiente convencional de
76 cm (30 pulgadas) de ancho

CONSERVE ESTE MANUAL COMO REFERENCIA FUTURA

EL MANUAL TIENE LA FINALIDAD DE AYUDARLE EN LA INSTALACIÓN Y LOS AJUSTES INICIALES DE LA ESTUFA.

ADVERTENCIA ESPECIAL

Solamente el personal calificado deberá instalar o dar servicio a esta estufa.

Lea las “Instrucciones de seguridad” en el libro de Uso y cuidado antes de usar la estufa.

La instalación, los ajustes, el servicio, el mantenimiento o el uso incorrectos, así como las alteraciones de la estufa pueden causar lesiones graves o daños materiales.

DIMENSIONES DEL ESPACIO LIBRE

La estufa puede instalarse con un espacio libre de cero centímetros adyacente (contra) a la construcción combustible en la parte posterior y en los lados debajo de la superficie para cocinar. Para obtener la información completa relacionada con la instalación de gabinetes de pared encima de la estufa y los espacios libres a las paredes combustibles por encima de la parte superior de la superficie para cocinar, vea los dibujos de instalación. Por MOTIVOS DE SEGURIDAD no instale la estufa en ningún gabinete combustible que no esté de acuerdo con los dibujos de instalación.

* **NOTA:** La dimensión de 76.2 cm (30”) entre la superficie de cocinar y el gabinete de la pared que se muestra en la ilustración no corresponde a las estufas con el horno elevado. **Las instrucciones de instalación del horno elevado especificarán la dimensión aceptable mínima entre la superficie para cocinar y el horno elevado.** La dimensión de 76.2 cm (30”) no puede reducirse a menos de 61 cm (24”) cuando los gabinetes de pared en una casa están protegidos con materiales contra incendios de acuerdo con las Normas Nacionales Estadounidenses —el Código Nacional de Gas Combustible o en casas móviles cuando están protegidas con materiales contra incendios de acuerdo con la Norma Federal para Construcción y Seguridad de Casas Móviles.

Para eliminar el riesgo de quemaduras o incendios al atravesarse por encima de las unidades calientes de la superficie, debe evitarse el almacenaje en los gabinetes por encima de las unidades de la superficie. Si se va a proporcionar almacenaje, puede reducirse el riesgo instalando una campana de estufa que sobresalga horizontalmente cuando menos 12.7 cm (5”) más que los gabinetes inferiores.

PRECAUCIÓN: Esta estufa ha sido diseñada de acuerdo con los requisitos de varias agencias de seguridad y cumple con las temperaturas máximas permitidas para los gabinetes de madera de 90°C (194°F). Si esta estufa se instala en gabinetes que tienen una tolerancia más baja a las temperaturas, podría ocurrir decoloración, pérdida del laminado o derretimiento.



ADVERTENCIA

- TODAS LAS ESTUFAS PUEDEN VOLTEARSE Y CAUSAR LESIONES A LAS PERSONAS.
- INSTALE LOS DISPOSITIVOS ESTABILIZADORES EMPACADOS CON LA ESTUFA.
- SIGA TODAS LAS INSTRUCCIONES DE INSTALACIÓN.



Su estufa podría no estar equipada con algunas de las características mencionadas en este manual.

DIBUJOS DE INSTALACIÓN

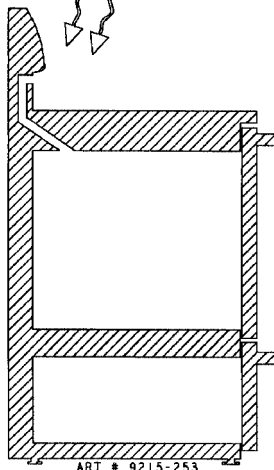
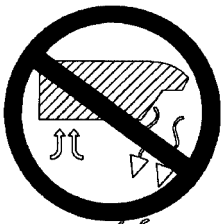
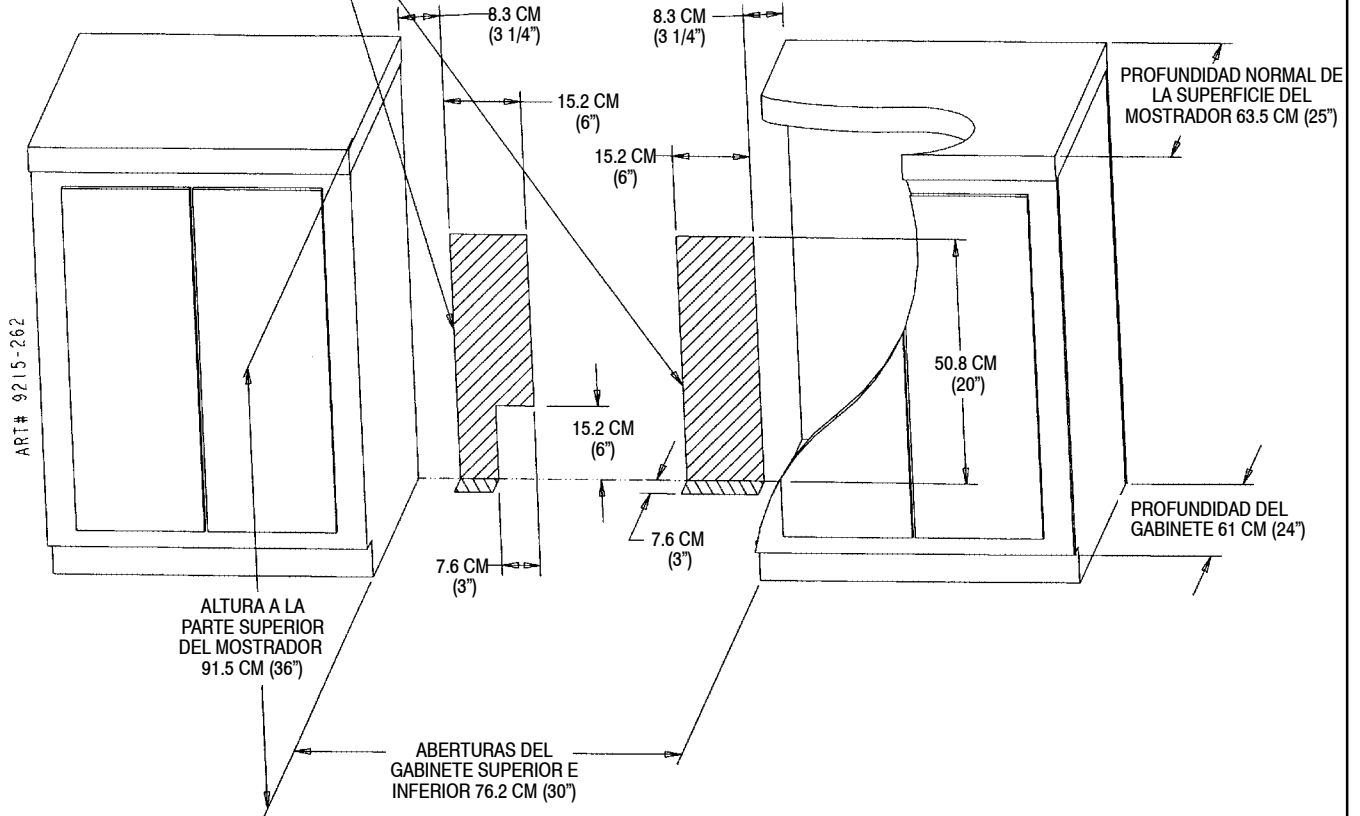
INDEPENDIENTE

RECOMENDACIÓN PARA EL SUMINISTRO DE GAS Y/O LA UBICACIÓN DEL TOMACORRIENTE ELÉCTRICO DE 120 VOLTIOS, MONTADO AL RAS Y CONECTADO A TIERRA.

EL SUMINISTRO DE GAS Y EL ELÉCTRICO NO DEBEN CONVERGIR.

NO CONECTE EL SUMINISTRO ELÉCTRICO A TIERRA USANDO LAS TUBERÍAS DE SUMINISTRO DE GAS.

NOTA: PARA GARANTIZAR QUE ESTÉ AL RAS EN LA INSTALACIÓN DE LA PARED, EL SERVICIO DE GAS INCLUYENDO LA VÁLVULA DE CIERRE DE GAS, NO DEBE SOBRESALIR MÁS DE 7.6 CM (3") DE LA PARED POSTERIOR.



ART # 9215-253



ADVERTENCIA

ESTE PRODUCTO NO DEBE INSTALARSE DEBAJO DE UNA CAMPANA DE VENTILACIÓN QUE DIRIJA EL AIRE EN UNA DIRECCIÓN HACIA ABAJO.

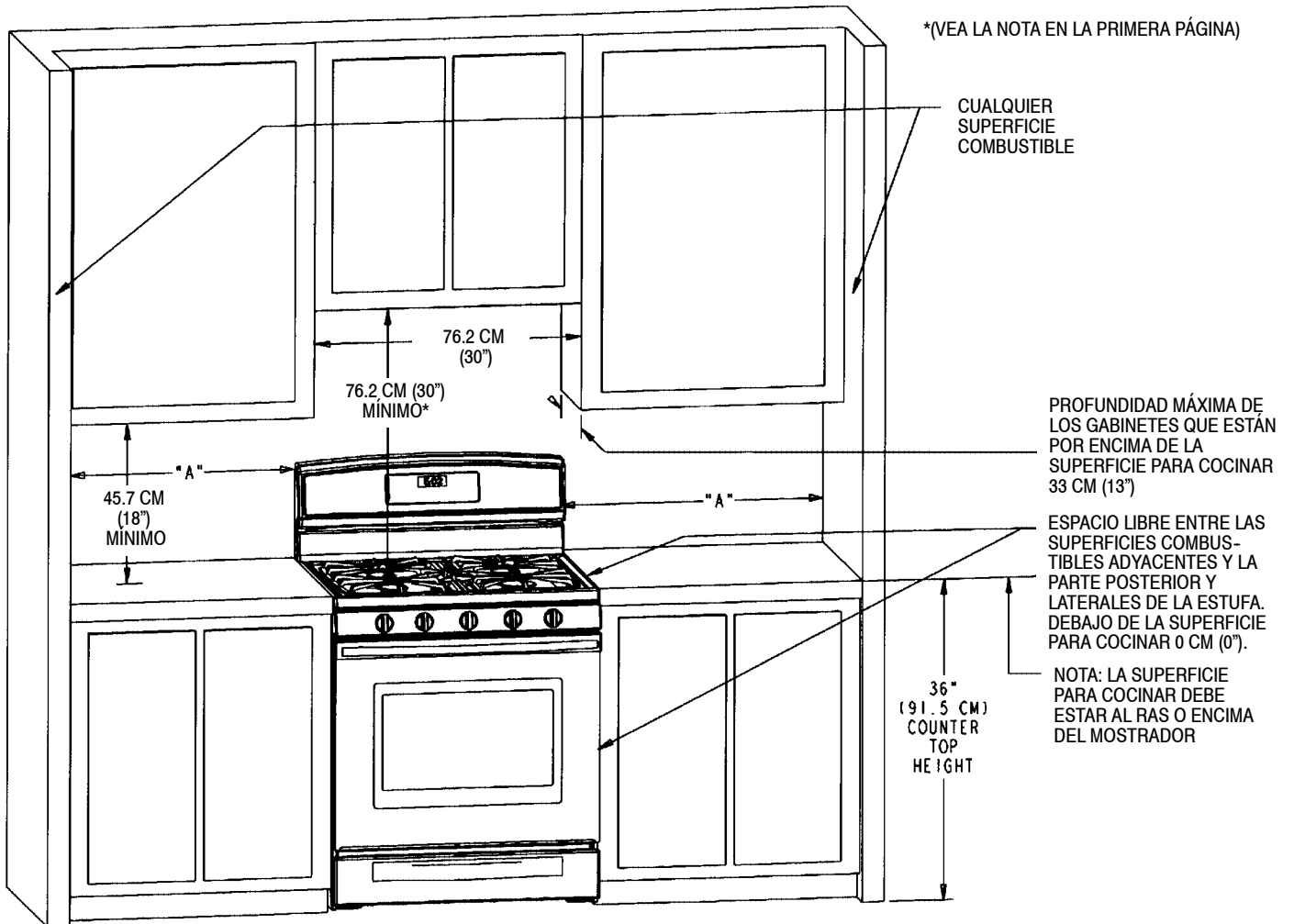
(VEA LA FIGURA)

ESTOS SISTEMAS DE VENTILACIÓN PUEDEN CAUSAR PROBLEMAS DE IGNICIÓN Y DE COMBUSTIÓN CON LOS QUEMADORES A GAS RESULTANDO EN LESIONES PERSONALES Y PUEDEN AFECTAR LA MANERA DE COCINAR DE LA UNIDAD.

NOTA: ES POSIBLE QUE LA FIGURA NO SEA UNA REPRESENTACIÓN EXACTA DE SU ESTUFA O DE SU SUPERFICIE PARA COCINAR; SIN EMBARGO, ESTA ADVERTENCIA SE APLICA A TODOS LOS ELECTRODOMÉSTICOS DE COCINA A GAS.

*(VEA LA NOTA EN LA PRIMERA PÁGINA)

ART# 9215-235-0



LA DIMENSIÓN "A" DEL ESPACIO LIBRE POR ENCIMA DE LA SUPERFICIE PARA COCINAR ES = 7.6 CM (3 PULGADAS) (MÍNIMO)

Lea la placa de datos de la estufa ubicada en la parte delantera inferior de la estufa para ver si está aprobada la instalación en casas móviles o vehículos recreativos. Si está aprobada, se aplicarán los puntos siguientes:

CASAS MÓVILES

La instalación de estufas diseñadas para instalarse en casas móviles debe estar en conformidad con la Norma de Construcción y Seguridad de Casas Prefabricadas, Título 24 CFR, Parte 3280 (anteriormente la Norma Federal para Construcción y Seguridad de Casas Móviles, Título 24 HUD, Parte 280) o, cuando dicha norma no corresponda, con la Norma para Instalaciones de Casas Prefabricadas 1982 (Manufactured Homes Sites, Communities and Set.Ups), ANSI A225.1/NFPA 501A, o con los códigos locales.

En Canadá la estufa debe instalarse de acuerdo con la norma actual de CSA C22.1 —Código Eléctrico Canadiense Parte 1 y Sección Z240.4.1 —Requisitos de Instalación para Electrodomésticos que Consumen Gas en Casas Móviles (Norma CSA CAN/CSA —Z240MH).

VEHÍCULOS RECREATIVOS

La instalación de una estufa diseñada para vehículos recreativos debe estar en conformidad con los códigos estatales y similares, en caso de no existir dichos códigos, con la última edición de la Norma para Vehículos Recreativos, ANSI A119.5.

En Canadá la estufa debe estar instalada de acuerdo con los Requisitos Eléctricos CAN/CSA —Z240.6.2 —para Vehículos Recreativos (Norma CSA CAN/CSA —Serie Z240 RV) y con la Sección Z240.4.2 —Requisitos de Instalación para Electrodomésticos y Equipo de Propano en Vehículos Recreativos (Norma CSA CAN/CSA —Serie Z240 RV).

UBICACIÓN DE LA ESTUFA

Coloque la estufa en un área bien iluminada.

No coloque la estufa sobre agujeros del piso ni en otros lugares en donde esté expuesta a corrientes fuertes de aire. Deben sellarse las aberturas que pudiera haber en la pared por detrás de la estufa y en el piso por debajo de la estufa. Asegúrese de que el flujo de aire de enfriamiento o ventilación por debajo de la estufa no esté obstruido.

NOTA: La estufa NO debe instalarse directamente sobre alfombras de cocina.

INSTRUCCIONES DE INSTALACIÓN DEL DISPOSITIVO ESTABILIZADOR

NOTA: Existe el riesgo de que la estufa se voltee si el electrodoméstico no se instala de acuerdo con las instrucciones de instalación provistas. El uso correcto de este dispositivo reduce el riesgo de VOLTEO. Cuando se use este dispositivo el propietario debe aún observar las precauciones de seguridad según se indican en el MANUAL DE USO Y CUIDADO y evitar usar la puerta del horno o el cajón inferior como banquillo.

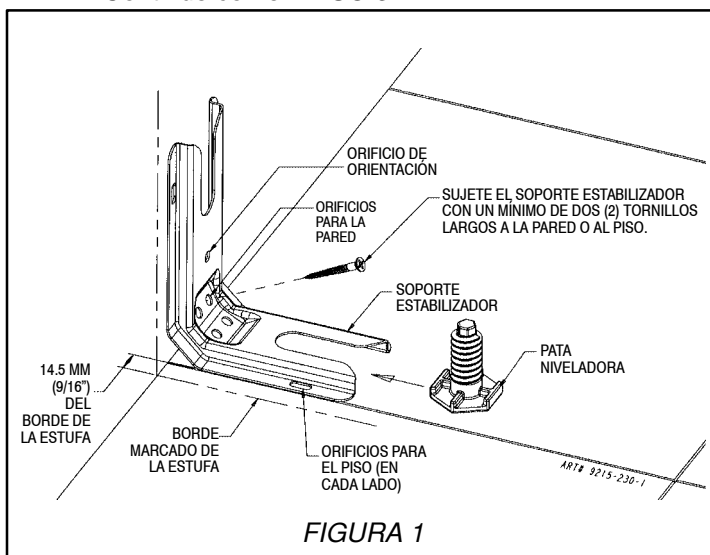
Se proporcionan las instrucciones para madera y cemento tanto para piso como para pared. Cualquier otro tipo de construcción podría requerir técnicas de instalación especiales según se determine necesario para proporcionar un anclaje adecuado del soporte ESTABILIZADOR al piso o a la pared.

PASO 1 – Ubicación del soporte (vea la figura 1)

- Determine la ubicación del “borde” derecho o izquierdo de la estufa y marque el piso o la pared.
- Coloque el SOPORTE a 2.4 cm (9/16”) del “BORDE” marcado hacia el centro del hueco y contra la pared posterior, según se muestra en la figura 1, con el orificio de orientación contra la pared.
- Use el soporte como plantilla y marque los orificios necesarios, según se muestra en la figura 1, para el tipo de construcción que usará.

PASO 2 – Instalación del soporte estabilizador

- Construcción de madera:
 - Piso: Ubique el centro de los dos orificios que se identifican en la figura 1 como “ORIFICIOS PARA EL PISO”. Taladre un orificio piloto con una broca de 3 mm (1/8”) en el centro de cada orificio (puede usar un clavo o un punzón si no tiene un taladro disponible). Asegure el soporte ESTABILIZADOR al piso con los dos tornillos provistos. Continúe con el paso 3.
 - Pared: Ubique el centro de los dos orificios que se identifican en la figura 1 como “ORIFICIOS PARA LA PARED”. Taladre un orificio piloto en ángulo con una broca de 3 mm (1/8”) en el centro de cada orificio como se muestra en la figura 2. (Puede usar un clavo o un punzón si no tiene disponible un taladro.) Asegure el soporte ESTABILIZADOR a la pared con los dos tornillos provistos según se muestra en la figura 2. Continúe con el PASO 3.



B. Construcción de cemento o concreto:

- Puede obtenerse tornillos apropiados para la construcción de concreto en una ferretería. Con el taladro haga el orificio del tamaño requerido para el tipo de tornillos que haya obtenido, en el centro de los orificios identificados en la figura 1 como “ORIFICIOS PARA EL PISO”. Asegure el soporte ESTABILIZADOR al piso. Continúe con el paso 3.

PASO 3 – Instalación de la estufa

- Por motivos de seguridad así como para obtener el desempeño óptimo, ajuste la estufa de manera que esté bien nivelada y a la altura deseada antes de instalarla en el hueco del gabinete.

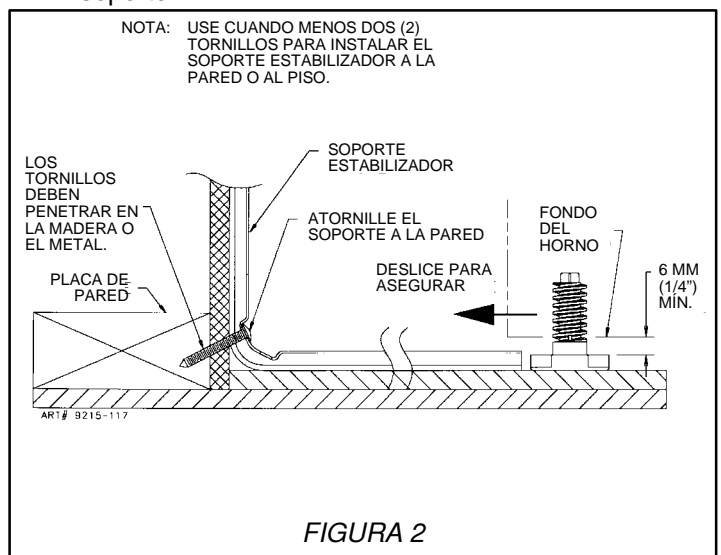
NOTA: La superficie para cocinar **DEBE** estar al ras o por encima del mostrador.

La nivelación puede revisarse colocando un nivel de burbuja de aire o un recipiente grande con agua en la superficie para cocinar o en la parrilla del horno. Ajuste la estufa ladeándola hacia delante o hacia atrás y girando la pata niveladora según sea necesario.

NOTA: Se requiere un espacio libre de cuando menos 6 mm (1/4”) entre la estufa y la pata niveladora que se enganchará al soporte estabilizador, vea la figura 2.

PRECAUCIÓN: La estufa puede dañarse si se mueve o levanta tomándola por la parte superior principal o por el protector posterior o por las asas de las puertas.

- Alinee la estufa en su ubicación final y prepárela para deslizarla hacia atrás en su lugar. Conecte la tubería de gas y enchufe el cordón eléctrico a un tomacorriente siguiendo las normas indicadas en la conexión y el resto de las instrucciones de instalación.
- Deslice la estufa en su lugar inspeccionando visualmente para comprobar que el cordón eléctrico y la tubería de gas estén libremente colocadas y contenidas dentro del área ahuecada del panel posterior.
- Para revisar que el soporte estabilizador de la estufa esté bien instalado, use una linterna y vea por debajo de la estufa para comprobar que una de las patas niveladoras esté enganchada en la hendidura del soporte.



CONEXIÓN DE LA ESTUFA

Suministro de energía eléctrica

El electrodoméstico, cuando se instala, debe conectarse a tierra de acuerdo con los códigos locales o, si no existieran, con el Código Nacional Eléctrico, ANSI/NFPA 70.

En Canadá la estufa debe instalarse de acuerdo con la Norma actual C22.1 de CSA —Código Eléctrico Canadiense Parte 1.

Conexión del suministro eléctrico

La estufa requiere una corriente alterna de 60 ciclos, 120 voltios de un tomacorriente conectado a tierra con un cortacircuitos de 15 amperios. Vea la placa de datos para encontrar la clasificación, que se encuentra ubicada en la superficie inferior del bastidor del frente.

Es posible que en ocasiones el usuario experimente desconexiones del circuito si el tomacorriente del interruptor del circuito contra fallas de conexión a tierra (GFCI) o el disyuntor están en uso.



ADVERTENCIA

Instrucciones eléctricas de conexión a tierra

Este electrodoméstico está equipado con una clavija de conexión a tierra (de tres puntas) para protegerlo contra el peligro de descargas eléctricas y debe conectarse directamente en un receptáculo debidamente conectado a tierra. No corte ni quite la punta de conexión a tierra de esta clavija.



ADVERTENCIA

DESCONECTE EL SUMINISTRO ELÉCTRICO ANTES DE DAR SERVICIO AL ELECTRODOMÉSTICO.

Suministro de gas

La instalación de esta estufa debe estar en conformidad con los códigos locales o, si no existieran, con la última edición del Código Nacional de Gas Combustible, ANSI Z223.1

En el estado de Massachusetts

Este producto debe instalarlo un plomero certificado o un ajustador de gas cuando se instale dentro del estado de Massachusetts.

Debe instalarse una válvula manual con asa tipo "T" en la tubería de suministro de gas al electrodoméstico.

Los conectores flexibles de gas, cuando se usen, no deben sobrepasar una longitud de 91.44 cm (36 pulg).

En Canadá la estufa debe instalarse de acuerdo con la Norma actual CAN/CGA-B149 de CGA —Códigos de instalación para electrodomésticos y equipos que queman gas y con los códigos locales.



ADVERTENCIA

Podrían ocurrir fugas de gas en el sistema y causar una situación peligrosa. Las fugas de gas podrían no detectarse sólo por el olor. Los proveedores de gas recomiendan que compre e instale un detector de gas aprobado por UL. Instale y use de acuerdo con las instrucciones del fabricante.

Para revisar la presión del sistema de presión de la casa

1. El electrodoméstico y su válvula de cierre individual deben estar desconectados del sistema de suministro de gas durante las pruebas de presión de ese sistema a presiones que sobrepasen 3.5 kPa (1/2 libra por pulgada cuadrada) (35 cm (13.8 pulgadas) de columna de agua).
2. El electrodoméstico debe estar aislado del sistema de suministro de gas cerrando la válvula de cierre individual durante las pruebas de presión de ese sistema a presiones iguales o menores de 3.5 kPa (1/2 libra por pulgada cuadrada) (35 cm (13.8 pulgadas) de columna de agua).

Conexión del suministro de gas (vea la figura 3)
LA CONEXIÓN DE GAS DEBE REALIZARLA UN TÉCNICO CALIFICADO DE SERVICIO O UN INSTALADOR DE ELECTRODOMÉSTICOS DE GAS. Las pruebas de fugas del electrodoméstico debe realizarlas el instalador de acuerdo con las instrucciones indicadas en la sección h.

LA TUBERÍA DE SUMINISTRO DE GAS DEBE TENER UN REGULADOR DE SERVICIO DE GAS NATURAL. LA PRESIÓN DE ENTRADA A ESTE ELECTRODOMÉSTICO DEBE REDUCIRSE A UN MÁXIMO DE 35.5 cm (14 PULGADAS) DE COLUMNA DE AGUA (0.5 LIBRAS POR PULG CUADRADA (PSI). LA TUBERÍA DE SUMINISTRO DE GAS PROPANO/PETRÓLEO LÍQUIDO (LP) DEBE TENER UN REGULADOR DE PRESIÓN DE GAS LP. LA PRESIÓN DE ENTRADA A ESTE ELECTRODOMÉSTICO DEBE REDUCIRSE A UN MÁXIMO DE 35.5 cm (14 PULGADAS) DE COLUMNA DE AGUA (0.5 PSI). LAS PRESIONES DE ENTRADA SUPERIORES A 0.5 PSI PUEDEN DAÑAR EL REGULADOR DE PRESIÓN Y OTROS COMPONENTES DE GAS DEL ELECTRODOMÉSTICO Y PROVOCAR FUGAS DE GAS.

NOTA: Esta estufa se embarca de fábrica lista para usarse con gas natural a una presión de 10.16 cm (4") de columna de agua.

La presión del suministro de gas para probar el regulador debe ser de cuando menos 2.54 cm (1") de presión de columna de agua por encima de la presión del múltiple que se indica en la placa de datos.

Si se necesita la conversión a gas LP, convierta el regulador antes de iniciar la instalación. La conversión del horno y del quemador superior puede hacerse por el frente de la estufa.

Conexiones recomendadas del suministro de gas

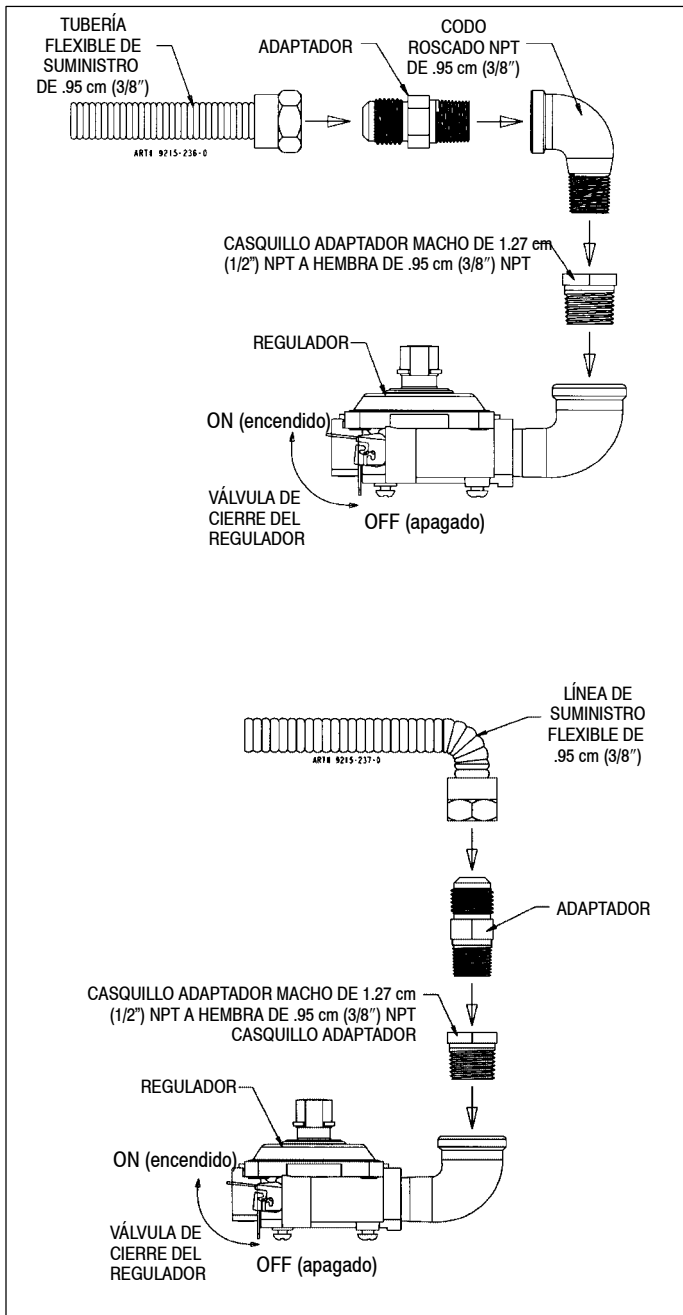


FIGURA 3

CUANDO EL INSTALADOR HAYA TERMINADO LA INSTALACIÓN DEL ELECTRODOMÉSTICO, DEJE LA VÁLVULA DE CIERRE DEL REGULADOR DE PRESIÓN EN LA POSICIÓN ABIERTA **“ON”**.

- DEBE INSTALARSE UNA VÁLVULA DE CIERRE DE GAS EN UN LUGAR ACCESIBLE EN LA TUBERÍA DE SUMINISTRO MÁS ADELANTE DE LA ESTUFA, PARA CERRAR Y ABRIR EL SUMINISTRO DE GAS. Si la estufa se conectará a la tubería de la casa con conectores flexibles o semirrígidos de metal para el electrodoméstico de gas, LAS TUERCAS DE CONEXIÓN NO DEBEN CONECTARSE DIRECTAMENTE EN LAS ROSCAS DE LA TUBERÍA. LOS CONECTORES DEBEN INSTALARSE CON LOS ADAPTADORES PROVISTOS CON EL CONECTOR.
- La tubería de la casa y el conector de la estufa que se use para conectar la estufa al suministro principal de gas, deben estar limpios, sin desechos de metal, sin corrosión, tierra ni líquidos (aceite o agua). La suciedad, etc., en las tuberías de suministro pueden llegar hasta el múltiple de la estufa y causar fallas en las válvulas de gas o en los controles y obstruir los quemadores o los orificios de los pilotos.

PRECAUCIÓN: NO LEVANTE NI MUEVA LA ESTUFA POR LAS ASAS DE LA PUERTA NI POR EL PROTECTOR POSTERIOR.

- Apague todos los pilotos y la válvula principal de gas de los demás electrodomésticos de gas.
- Cierre la válvula principal de gas en el medidor.
- Antes de conectar la estufa, aplique en todas las roscas compuesto para roscas de tuberías que esté aprobado para de gas LP.
- Use sólo conectores flexibles para conectar la estufa al suministro de gas en el regulador de presión usando los adaptadores provistos con el conector. El regulador provisto con la estufa tiene una conexión hembra de 1.27 cm (1/2") NPT.

NOTA: Se recomienda que se use un conector flexible certificado por CSA que no sea más largo de 91.4 cm (36") con una clasificación mínima de 88.200 BTU/HR.

Vea la placa de datos para conocer el tipo de gas para el que se fabricó la estufa.

- Abra la válvula principal de gas al medidor, y vuelva a encender los pilotos de los otros electrodomésticos de gas.
- Aplique un líquido de detección de fugas que sea anticorrosivo en todas las uniones y accesorios de la conexión de gas entre la válvula de cierre de la tubería de suministro y la estufa. Incluya los accesorios y las uniones de gas en la estufa si se alteraron las conexiones durante la instalación. ¡Revise si existen fugas! Si aparecen burbujas alrededor de los accesorios y las conexiones significará que hay una fuga. Si aparece una fuga, cierre la válvula de suministro de la tubería de gas, apriete las conexiones, abra la válvula de cierre de la tubería de suministro de gas y vuelva a revisar las fugas.

PRECAUCIÓN: NUNCA USE LLAMAS PARA REVISAR SI EXISTEN FUGAS.

CUANDO TERMINE DE REVISAR LAS FUGAS, LIMPIE TODOS LOS RESIDUOS.

AJUSTES DE LA ESTUFA

Sección superior – Encendido electrónico

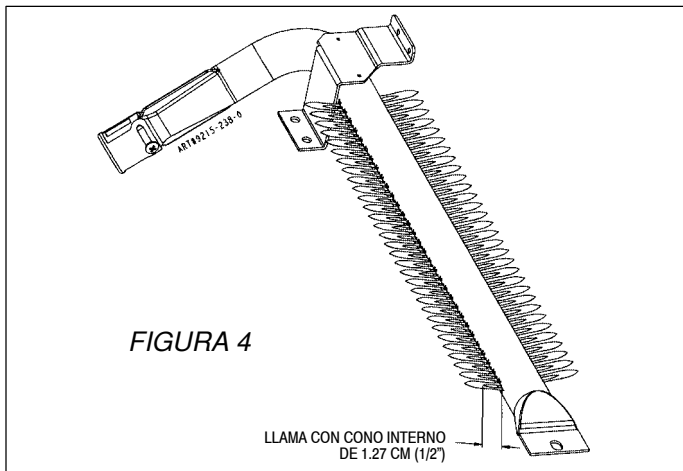
Para que funcione, empuje y gire la perilla del quemador superior a la posición de encender “LITE”. El quemador superior se encenderá. Para APAGAR la chispa después de que se haya encendido el quemador superior, gire la perilla al ajuste alto “HI”.

NOTA: Los quemadores superiores no se ajustan.

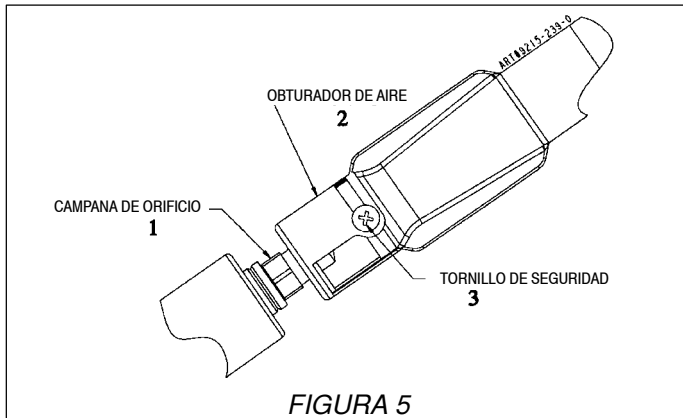
Obturador de aire – Quemador de horneado/asado

NOTA: Si no se enciende el quemador, revise la posición de la válvula de cierre del gas del horno en el regulador.

- a. La longitud aproximada de la llama del quemador del horno es una llama cónica con el interior azul, bien definida de 1.27 cm (1/2”), figura 4.



- b. La llama del quemador de horneado/asado puede revisarse de la manera siguiente:
 1. Llama amarilla en el quemador —abra el obturador de aire del quemador a la posición más abierta que no cause que se apague ni levante la llama cuando el quemador esté frío. (Vea el número 2 de la figura 5.) Las puntas algo amarillentas en el gas LP son normales.
 2. Llama azul bien definida pero se levanta - cierre el obturador de aire hasta el punto en donde no cause que se levante o apague la llama cuando el quemador esté frío. (Vea el número 2 de la figura 5.)



CONVERSIÓN DE GAS

Cuando se requiera realizar la conversión, convierta el regulador antes de comenzar la instalación.

Para tener acceso a la válvula de cierre del regulador por el frente de la estufa, quite el cajón de almacenaje.

Para quitar el cajón de almacenaje: Sáquelo hasta la primera posición de tope. Levántelo y tire de él hasta la segunda posición de tope, sostenga los lados y levántelo para sacarlo.

Para volver a colocarlo: Acomode los rodillos del cajón en los rieles. Levante la parte delantera del cajón y suavemente empújelo hasta la primera posición de tope. Levante y continúe deslizando el cajón hasta la posición de cerrado.

General

Esta unidad está equipada con un regulador de presión convertible, campanas de orificio de horneado y asado fijas y orificios del quemador superior preajustados en la fábrica para usarse con gas natural.

Para convertir la unidad de gas LP a gas natural o viceversa se requerirá el ajuste del obturador de aire en los quemadores de horneado y asado, el ajuste de la tapa del convertidor del regulador y el cambio de las campanas de orificio de horneado y asado y los orificios del quemador superior.

NOTA: Las campanas de los orificios del quemador de horneado y asado y los del quemador superior para convertir la unidad a gas LP se encuentran en el juego sujeto a la parte posterior de la unidad.

Las instrucciones de conversión se encuentran en el juego. Conserve los orificios que quite del electrodoméstico para usarlos en el futuro.

La presión de entrada al regulador de presión deberá estar del modo siguiente tanto para el funcionamiento como para verificar el ajuste del regulador de presión del electrodoméstico:

PRESIÓN DE ENTRADA CM (PULG.) DE COLUMNA DE AGUA

Mínima
Máxima

**GAS
NATURAL**
13 cm (5")
35.5 cm (14")

**GAS
LP**
28 cm (11")
35.5 cm (14")

Conversión del regulador de presión del electrodoméstico

El regulador de presión de la unidad debe estar ajustado para el tipo de gas que se suministrará. Si se convertirá el gas natural a gas LP, el regulador de presión debe convertirse para que regule el gas LP. Si se convertirá de gas LP a gas natural, el regulador de presión debe convertirse para que regule el gas natural.

Para convertir el regulador de presión del electrodoméstico de un gas a otro, siga las instrucciones a continuación:

- Quite la cubierta plástica contra polvo de la tuerca de la tapa en la parte superior del regulador de presión. Quite la tuerca de la tapa del regulador de presión (la cubierta plástica contra polvo se sale junto con la tuerca). "IMPORTANTE" quite la cubierta plástica contra polvo de la tuerca de la tapa y vuelva a instalarla en el lado opuesto de la tuerca de la tapa.
- Instale de nuevo el regulador de presión y coloque otra vez la cubierta contra polvo. "PRECAUCIÓN" asegúrese de que la marca del tipo de gas al que se acaba de convertir el regulador de presión se pueda ver en la parte superior de la tuerca de la tapa antes de volver a colocar la cubierta plástica contra polvo. (Vea la figura 6.)

NOTA: Si no se enciende el quemador, revise la posición de la válvula de cierre del gas del horno en el regulador.

CÓMO QUITAR LA ESTUFA PARA DARLE SERVICIO

Siga estos procedimientos para quitar el electrodoméstico para darle servicio:

1. Deslice la estufa hacia adelante para desgancharla del soporte estabilizador.
2. Cierre el suministro de gas al electrodoméstico.
3. Desconecte el suministro eléctrico al electrodoméstico.
4. Desconecte la tubería de gas al electrodoméstico.
5. Invierta el procedimiento para volver a instalarlos. Si se desconectó la tubería de gas, revise si hay fugas de gas después de reconectarla.

NOTA: El suministro de gas debe desconectarlo y volver a conectarlo un técnico calificado de servicio.

El técnico **DEBE** seguir las instrucciones de instalación provistas con el conector del electrodoméstico de gas y la etiqueta de advertencia adherida al conector.

6. Para evitar que la estufa se voltee accidentalmente, ésta debe estar asegurada al piso deslizando la pata niveladora posterior dentro del soporte estabilizador.

SERVICIO – INFORMACIÓN SOBRE PIEZAS

Cuando la estufa requiera servicio o piezas de repuesto, comuníquese con el proveedor o la agencia autorizada de servicio. Proporcione los números completos de modelo y serie de la estufa que se encuentran localizados en la placa de datos de la estufa.

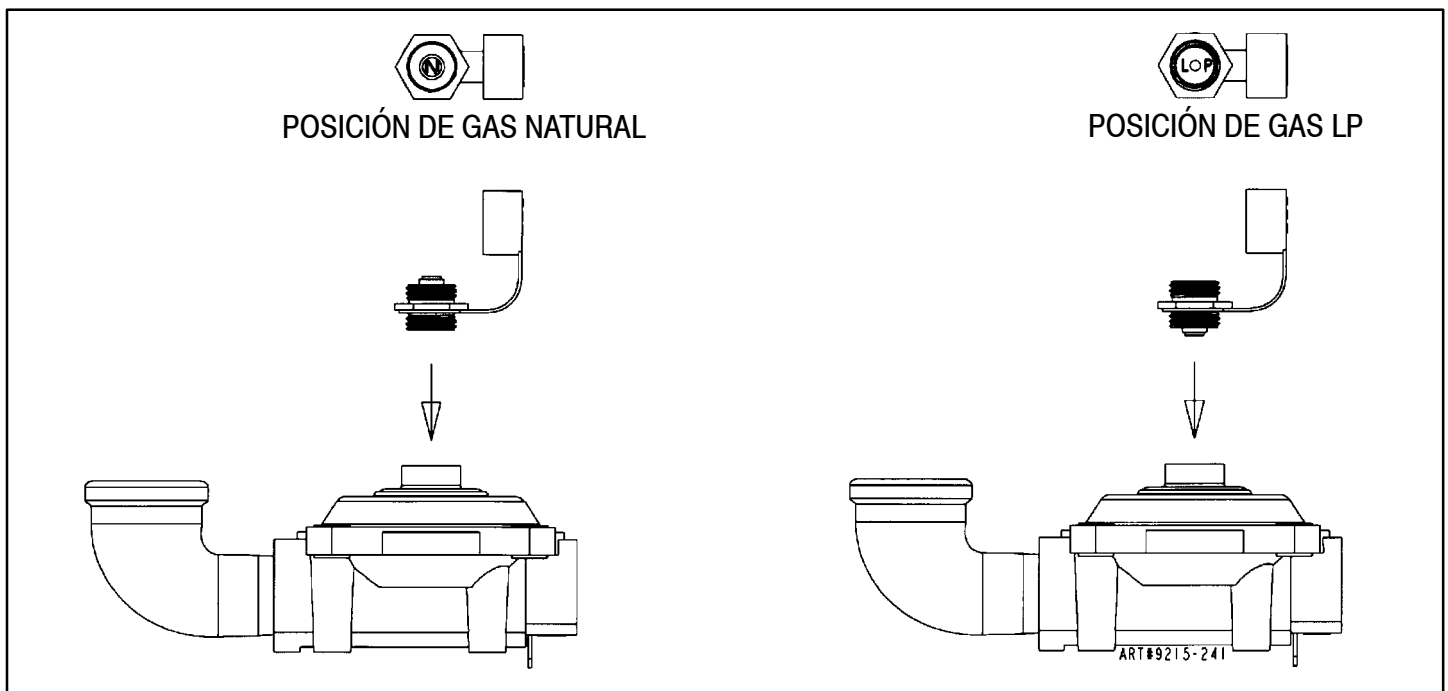


FIGURA 6



MANUEL DE MISE EN SERVICE

Cuisinière à gaz amovible de 76,2 cm (30 pouces)

VEUILLEZ CONSERVER CE MANUEL POUR RÉFÉRENCE ULTÉRIEURE

CE MANUEL EST DESTINÉ À FACILITER LA MISE EN SERVICE ET LE RÉGLAGE INITIAUX DE LA CUISINIÈRE.

AVERTISSEMENT SPÉCIAL

La mise en service et le dépannage de cette cuisinière doivent être réalisés uniquement par du personnel qualifié.

Lire les « Mesures de sécurité » dans le manuel de l'utilisateur avant de l'utiliser.

Une mauvaise réalisation de la mise en place, du réglage, de toutes modifications ou réparations ou de l'entretien de la cuisinière ou son usage incorrect peuvent entraîner des blessures ou des dégâts graves.

DÉGAGEMENT NÉCESSAIRE

La cuisinière peut avoir un dégagement nul (0 po/cm) par rapport aux parois en matériaux combustibles à l'arrière et sur les côtés au-dessous de la surface de cuisson (elle peut être contre ces parois). Pour tous renseignements concernant la pose d'armoires murales au-dessus de la cuisinière et des dégagements à respecter par rapport aux parois combustibles se trouvant au-dessus de la surface de cuisson, se reporter aux schémas d'installation. Pour des RAISONS DE SÉCURITÉ, ne pas monter la cuisinière dans une armoire en matériau combustible non conforme aux schémas d'installation.

***REMARQUE :** la dimension de 76,2 cm (30 po) entre la surface de cuisson et l'armoire murale montrée sur l'illustration ne s'applique pas aux cuisinières ayant un four en hauteur. **La notice de mise en service d'un four en hauteur spécifie la dimension minimum acceptable entre la surface de cuisson et ce type de four.** La dimension de 76,2 cm (30 po) peut être réduite à 61 cm (24 po) si les armoires murales d'un logement sont protégées par des matériaux ininflammables conformément aux normes American National Standards - National Fuel Gas Code ou, dans le cas de maisons mobiles, si les armoires murales sont protégées par des matériaux ininflammables conformément aux règlements du Federal Standard for Mobile Home Construction and Safety.

Pour éliminer tout risque de brûlure ou d'incendie en essayant d'atteindre un objet placé au-dessus d'éléments brûlants, éviter d'avoir un espace de rangement au-dessus de la surface de cuisson. S'il doit y avoir une armoire au-dessus de la table de cuisson, l'installation d'une hotte dépassant d'au moins 13 cm (5 po) de sa partie inférieure réduira les risques liés à ce type d'entreposage.

ATTENTION : Cette cuisinière satisfait aux règles de divers organismes de protection et aux normes relatives à la température maximum permise de 90 ° C (194 ° F) pour les armoires en bois. Si cette cuisinière est adjacente à des armoires pouvant supporter une température inférieure à 90 ° C (194 ° F) seulement, celles-ci peuvent se décolorer, se délaminer ou fondre.

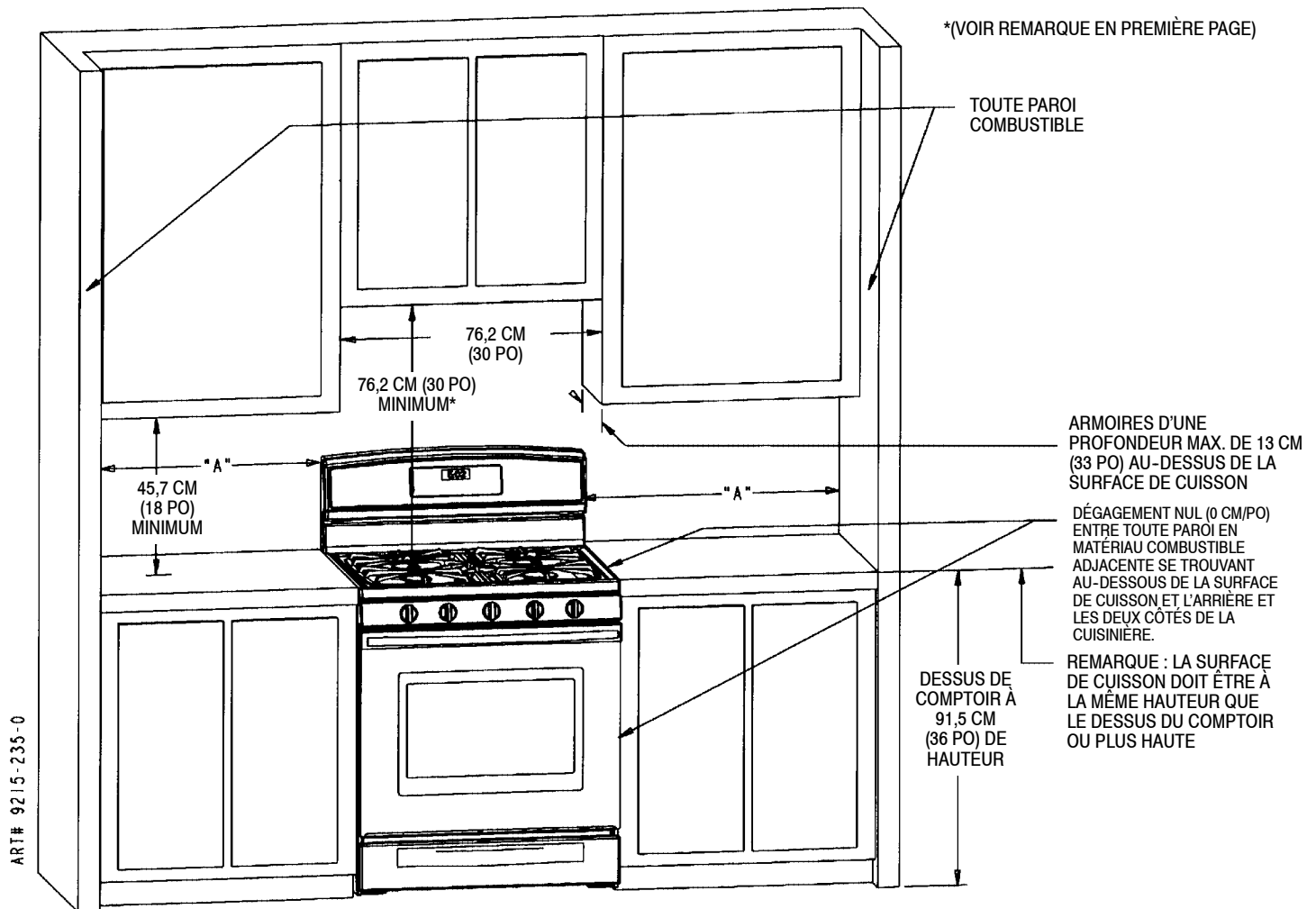


AVERTISSEMENT

- **TOUTES LES CUISINIÈRES PEUVENT BASCULER ET PROVOQUER DES BLESSURES.**
- **POSER LES DISPOSITIFS DE STABILISATION FOURNIS AVEC CETTE CUISINIÈRE.**
- **SUIVRE TOUTES LES CONSIGNES DE MISE EN SERVICE.**

Votre cuisinière peut ne pas être dotée de toutes les fonctions mentionnées dans ce manuel.

*(VOIR REMARQUE EN PREMIÈRE PAGE)



DIMENSION A, DÉGAGEMENT LATÉRAL AU-DESSUS DE LA SURFACE DE CUISSON = 7,6 CM (3 POUCES) (MINIMUM)

Vérifier sur la plaque signalétique, située dans la partie inférieure de l'avant de la cuisinière, si elle est homologuée pour la mise en service dans une maison mobile et/ou une roulotte de plaisance. S'il est homologué pour cet usage, les points suivants s'appliquent.

MAISONS MOBILES

La mise en service d'une cuisinière prévue pour les maisons mobiles doit être conforme aux normes « Manufactured Home Construction and Safety Standard », titre 24 CFR, partie 3280 (précédemment « Federal Standard for Mobile Home Construction and Safety », titre 24 HUD [partie 280]) ou, lorsque ces normes ne sont pas applicables, les normes « Standard for Manufactured Home Installations », ANSI A225.1/NFPA 501A, ou les codes de la construction locaux.

Au Canada, la mise en service de la cuisinière doit se faire conformément aux normes CSA C22.1 du code d'électricité canadien les plus récentes, partie 1 et section Z240-4.1 relative aux caractéristiques techniques exigées pour les appareils à gaz utilisés dans les maisons mobiles (norme CAN/CSA - Z240MH).

ROULOTTES DE PARC

La mise en service d'une cuisinière prévue pour les roulottes de parc doit être conforme aux codes provinciaux et autres codes ou, en leur absence, avec la dernière édition de la norme ANSI A119.5 relative aux roulottes de parc.

Au Canada, la mise en service de la cuisinière doit être réalisée conformément à la norme CAN/CSA - série Z240.6.2 relative aux caractéristiques exigées pour l'installation électrique dans les véhicules de plaisance (norme CAN/CSA - série Z240 RV) et à la section Z240.4.2 relative aux caractéristiques techniques exigées pour les appareils et le matériel fonctionnant au propane dans les véhicules de plaisance (norme CAN/CSA série Z240 RV).

EMPLACEMENT DE LA CUISINIÈRE

Mettre la cuisinière dans un endroit où elle recevra un bon éclairage.

Ne pas placer la cuisinière au-dessus de trous dans le plancher ou en tout autre endroit où elle sera exposée à de forts courants d'air. Toute ouverture dans le mur à l'arrière de la cuisinière et dans le plancher sous la cuisinière doit être bouchée. S'assurer que le passage de l'air de refroidissement/ventilation sous la cuisinière n'est pas entravé.

REMARQUE : Une cuisinière ne doit PAS être placée sur de la moquette.

ANTI-MISE EN PLACE DU SUPPORT DE STABILISATION

REMARQUE : La cuisinière risque de basculer si elle n'est pas mise en place conformément aux instructions fournies. Si le dispositif de stabilisation est utilisé correctement, il réduit le risque que la cuisinière ne - BASCULE. Même si le dispositif est utilisé correctement, le consommateur doit observer les précautions indiquées dans le MANUEL D'UTILISATION ET D'ENTRETIEN et éviter d'utiliser la porte du four et/ou le tiroir inférieur comme un tabouret.

Les instructions sont prévues pour un plancher ou un mur en bois ou en ciment. Un autre matériau pourra requérir des techniques spéciales, qu'il conviendra de déterminer, pour assurer la fixation du SUPPORT DE STABILISATION au mur ou au plancher.

ÉTAPE 1 - Emplacement du support (voir figure 1)

- Déterminer où le « bord » gauche ou droit de la cuisinière se trouvera une fois celle-ci en place et le marquer d'un repère sur le plancher.
- Placer le SUPPORT à 14 mm (9/16 po) de la marque « BORD » en allant vers le centre de l'ouverture et contre le mur arrière tel qu'indiqué à la figure 1, le trou d'orientation étant contre le mur.
- Utiliser le support comme gabarit et marquer l'emplacement de tous les trous pour le type de matériau sur lequel le support doit être fixé, tel qu'indiqué à la figure 1.

ÉTAPE 2 - Pose du support de stabilisation

- Bois :
 - Plancher : Déterminer le centre des deux trous identifiés par « TROUS POUR PLANCHER » à la figure 1. Percer un trou de positionnement de 3 mm (1/8 po) au centre de chaque trou (un clou ou un poinçon peut également être utilisé si une perceuse n'est pas disponible). Fixer le support de STABILISATION au plancher à l'aide des deux vis fournies. Passer à l'ÉTAPE 3.
 - Mur : Déterminer le centre des deux trous identifiés par « TROUS POUR MUR » à la figure 1. Percer un trou de positionnement de 3 mm (1/8 po) au centre de chaque trou (un clou ou un poinçon peut également être utilisé si une perceuse n'est pas disponible) tel qu'indiqué à la figure 2. Fixer le support de STABILISATION au mur à l'aide des deux vis fournies tel qu'indiqué à la figure 2. Passer à l'ÉTAPE 3.

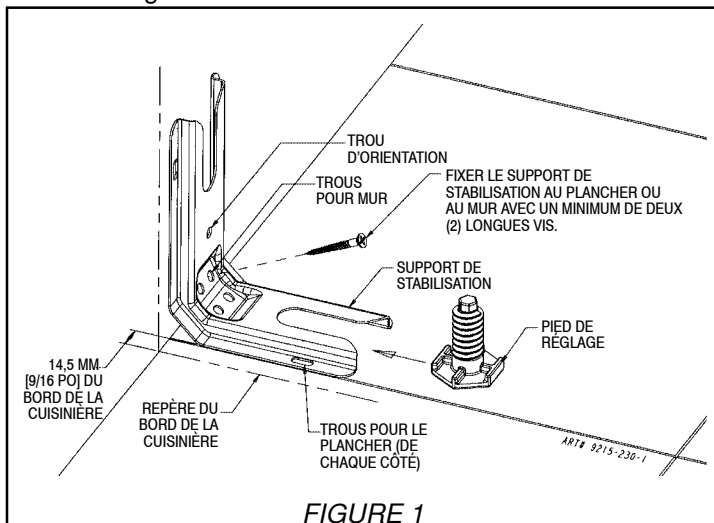


FIGURE 1

B. Ciment ou béton :

- On trouve des vis convenant au ciment ou au béton dans les quincailleries. Percer les trous de positionnement de la grandeur correspondant à celle des vis obtenues en quincaillerie au centre des trous identifiés « TROUS POUR PLANCHER » à la figure 1. Fixer le support de STABILISATION au plancher. Passer à l'ÉTAPE 3.

ÉTAPE 3 - Mise en place de la cuisinière

- Pour des raisons de sécurité et pour obtenir des résultats optimaux à la cuisson, régler la cuisinière de façon à ce qu'elle soit de niveau et à la hauteur voulue avant de la mettre en place dans l'ouverture.

REMARQUE : La surface de cuisson **DOIT** être au même niveau que le comptoir ou légèrement plus haute.

Pour vérifier le niveau, mettre un niveau à bulle ou une grande casserole d'eau sur la surface de cuisson ou sur la grille du four. Régler le niveau en la basculant vers l'avant ou l'arrière et en tournant les pieds de mise à niveau autant que nécessaire.

REMARQUE : Un dégagement minimum de 6 mm (1/4 po) est exigé entre la cuisinière et le pied de mise à niveau qui va s'insérer dans le support de stabilisation (voir figure 2).

ATTENTION : La cuisinière peut être abîmée si elle est déplacée et soulevée par le dessus, à l'aide du dossier ou par les poignées de porte.

- Placer la cuisinière de façon à ce qu'elle puisse entrer dans l'ouverture où elle sera encastrée et se préparer à la pousser en place. Raccorder au gaz et brancher le cordon d'alimentation dans la prise en suivant les indications fournies pour le raccordement de la cuisinière et dans le reste des consignes de mise en service.
- Glisser la cuisinière en place en l'inspectant visuellement pour s'assurer que le cordon d'alimentation et la conduite de gaz ne se trouvent pas coincés et qu'ils s'insèrent dans la partie en creux du panneau arrière.
- Pour vérifier si le support de stabilisation est correctement en place, regarder sous la cuisinière et s'assurer qu'un des pieds arrière est bien inséré dans la fente du support.

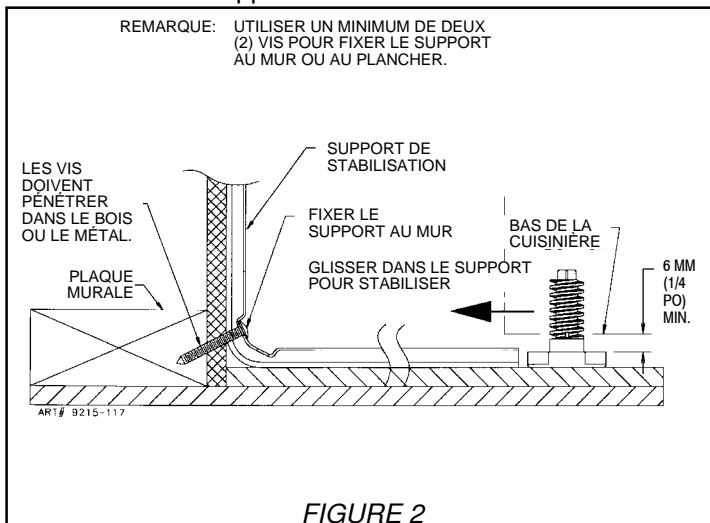


FIGURE 2

RACCORDEMENT DE LA CUISINIÈRE

Alimentation électrique

Une fois en place, l'appareil doit être relié à la terre conformément aux codes locaux ou, en l'absence de codes locaux, aux normes ANSI/NFPA 70 du National Electrical Code.

Au Canada, le raccordement de la cuisinière doit être conforme à la norme ACN C22.1 du Code d'électricité canadien partie 1.

Raccordement à l'alimentation électrique

La cuisinière exige une alimentation en courant alternatif 120 V et 60 Hz par prise de courant raccordée à la terre et équipée d'un disjoncteur de 15 A. Vérifier la puissance électrique de l'appareil sur la plaque signalétique, située dans la partie inférieure du bâti avant.

L'utilisateur pourra occasionnellement avoir des problèmes de panne de courant si une prise avec disjoncteur de prise à la terre ou un disjoncteur sont utilisés.

AVERTISSEMENT

Mise à la terre

Cet appareil est muni d'une fiche à trois broches avec mise à la terre pour assurer la protection contre les risques d'électrocution et doit être branché directement dans une prise de courant correctement reliée à la terre. Ne pas enlever ni couper la broche de terre de cette fiche électrique.

AVERTISSEMENT

DÉBRANCHER L'APPAREIL DE L'ALIMENTATION ÉLECTRIQUE AVANT TOUT DÉPANNAGE.

Alimentation en gaz

La mise en service de cette cuisinière doit être conforme aux codes locaux ou, en l'absence de tels codes, avec la norme ANSI Z223.1, dernière édition, du National Fuel Gas Code.

Dans le « Commonwealth of Massachusetts »

Ce produit doit être mis en service par un plombier ou un monteur d'installations au gaz porteur d'une licence pour toute mise en service à l'intérieur du « Commonwealth of Massachusetts ».

Un robinet d'arrêt de gaz manuel de type à poignée en T doit être posé sur la conduite de gaz de cet appareil.

Un raccord de gaz flexible devra, s'il est utilisé, ne pas être d'une longueur supérieure à 91,4 cm (3 pi/36 po).

Au Canada, la mise en service de la cuisinière doit être conforme à la norme ACG CAN/ACG-B149 en vigueur relative aux codes de mise en service d'appareils à gaz et/ou aux codes locaux.

AVERTISSEMENT

Des fuites de gaz peuvent se produire et aboutir à une situation dangereuse. Les fuites de gaz ne peuvent pas être détectées simplement à l'odeur. Les fournisseurs de gaz recommandent d'acheter et de poser un détecteur de gaz homologué UL. Le poser et l'utiliser conformément aux consignes du fabricant.

Vérification de la pression des conduites du logis

1. L'appareil à gaz et son robinet d'alimentation doivent être désolidarisés des conduites de gaz pendant toute vérification de la pression à des pressions supérieures à 0,5 lb/po²/3,5 kPa (13,8 po de colonne d'eau).
2. L'appareil à gaz doit être coupé des conduites de gaz en fermant son robinet de gaz individuel pendant toute vérification de la pression dans les conduites de gaz à des pressions égales ou inférieures à 0,5 lb/po²/3,5 kPa (13,8 po de colonne d'eau).

Raccordement à l'alimentation au gaz de réseau (voir la figure 3)

LE RACCORDEMENT AU GAZ DOIT ÊTRE EFFECTUÉ PAR UN TECHNICIEN AYANT REÇU LA FORMATION APPROPRIÉE OU PAR UN INSTALLATEUR D'APPAREILS À GAZ. La vérification de l'absence de fuites sera effectuée par l'installateur conformément aux directives fournies à la section h.

LA CONDUITE DE GAZ NATUREL DOIT ÊTRE ÉQUIPÉE D'UN DÉTENDUEUR POUR GAZ NATUREL. LA PRESSION À L'ARRIVÉE DE CET APPAREIL DOIT ÊTRE DÉTENDUE DE FAÇON À NE PAS ÊTRE SUPÉRIEURE À 0,5 LB/PO² / 3,5 KPA (14 PO DE COLONNE D'EAU). LA CONDUITE DE GAZ DE PÉTROLE LIQUÉFIÉ (GPL)/PROPANE DOIT ÊTRE ÉQUIPÉE D'UN DÉTENDUEUR POUR GPL. LA PRESSION À L'ARRIVÉE DE CET APPAREIL DOIT ÊTRE DÉTENDUE DE FAÇON À NE PAS ÊTRE SUPÉRIEURE À 0,5 LB/PO² / 3,5 KPA (14 PO DE COLONNE D'EAU). UNE PRESSION À L'ARRIVÉE SUPÉRIEURE À 3,5 KPA (0,5 LB/PO²) PEUT ENDOMMAGER LE DÉTENDUEUR DE L'APPAREIL ET LES AUTRES COMPOSANTS DE CET APPAREIL ET POURRAIT PROVOQUER DES FUITES DE GAZ.

REMARQUE : La cuisinière est réglée au gaz naturel pour une pression de gaz naturel de 1,25 kPa (4 po de colonne d'eau) en usine.

La pression de gaz nécessaire pour vérifier le détendeur doit être au moins 0,25 kPa (1 po de colonne d'eau) au-dessus de la pression de rampe indiquée sur la plaque signalétique.

Si la conversion au gaz GPL est nécessaire, convertir le régulateur avant la mise en place. La conversion des brûleurs du four et de la surface de cuisson peut se faire du devant de la cuisinière.

Raccordement à l'alimentation en gaz recommandé

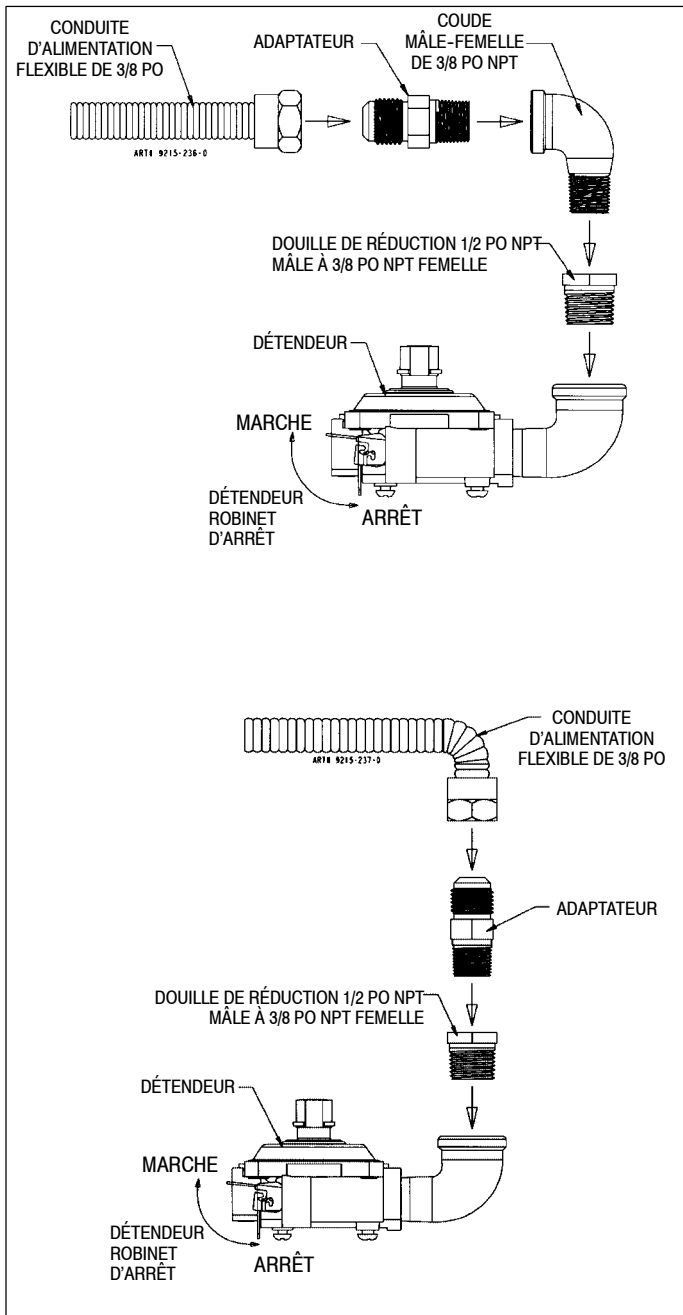


FIGURE 3

UNE FOIS LA MISE EN SERVICE DE LA CUISINIÈRE TERMINÉE PAR L'INSTALLATEUR, LAISSER LE ROBINET DU DÉTENDEUR DE L'APPAREIL SUR LA POSITION DE « **MARCHE** ».

a. UN ROBINET D'ARRÊT DEVRA ÊTRE POSÉ DANS UN ENDROIT ACCESSIBLE DE LA CONDUITE DE GAZ EN AMONT DE LA CUISINIÈRE POUR PERMETTRE D'OUVRIRE ET DE FERMER L'ALIMENTATION EN GAZ. Si la cuisinière doit être raccordée à des conduites à l'aide de raccords métalliques flexibles ou semi-rigides pour appareils à gaz, LES ÉCROUS DES RACCORDS NE DOIVENT PAS ÊTRE VISSÉS DIRECTEMENT SUR LE FILETAGE DES CONDUITES. LES RACCORDS DOIVENT ÊTRE RACCORDÉS À LA CONDUITE À L'AIDE DES ADAPTATEURS FOURNIS.

b. La conduite de gaz du logis et/ou le raccord de la cuisinière à gaz utilisés pour raccorder la cuisinière à l'alimentation en gaz doivent être propres, libres de toutes rognures de métal, rouille ou saleté et de tout liquide (huile ou eau). La saleté qui se trouve dans les conduites peut se trouver emportée vers la rampe à gaz et entraîner des problèmes au niveau des robinets de gaz ou des commandes et boucher les orifices des brûleurs et/ou des veilleuses.

ATTENTION : NE PAS SOULEVER NI DÉPLACER LA CUISINIÈRE EN LA PRENANT PAR LES POIGNÉES DE PORTE OU LE DOSSERET.

c. Éteindre toutes les veilleuses et le robinet d'arrêt de tous autres appareils à gaz.

d. Fermer le gaz au robinet principal du compteur de gaz.

e. Avant de raccorder la cuisinière au gaz, enduire tous les filetages de pâte à filetage convenant au GPL.

f. Raccorder la cuisinière à l'alimentation en gaz au niveau du détendeur uniquement à l'aide des adaptateurs fournis avec le raccord. Le détendeur fourni avec la cuisinière est équipé d'un raccord femelle de 1/2 po NPT.

REMARQUE : Il est recommandé d'utiliser un raccord flexible homologué CSA d'une longueur maximum de 91,4 cm (36 po) et une puissance nominale minimum de 88 200 BTU/h.

Voir sur la plaque signalétique le type de gaz pour lequel la cuisinière est prévue.

g. Ouvrir le robinet de gaz au niveau du compteur et rallumer la veilleuse de tous autres appareils à gaz.

h. Appliquer du liquide de détection de fuites non corrosif sur tous les joints et raccords entre le robinet de la conduite de gaz et l'appareil. Inclure les joints et raccords de l'appareil si ceux-ci ont pu se trouver desserrés pendant la mise en service. Vérifier les fuites ! Si des bulles apparaissent autour des joints et des raccords, il y a une fuite. En cas de fuite, fermer le robinet d'alimentation de gaz, serrer les raccords, puis ouvrir le robinet de gaz et revérifier s'il y a des fuites.

ATTENTION : NE JAMAIS VÉRIFIER LA PRÉSENCE DE FUITES À L'AIDE D'UNE FLAMME.

UNE FOIS LA VÉRIFICATION DE LA PRÉSENCE DE FUITES TERMINÉE, ESSUYER TOUT RÉSIDU DE PRODUIT.

RÉGLAGES DE LA CUISINIÈRE

Partie supérieure - Allumage électrique

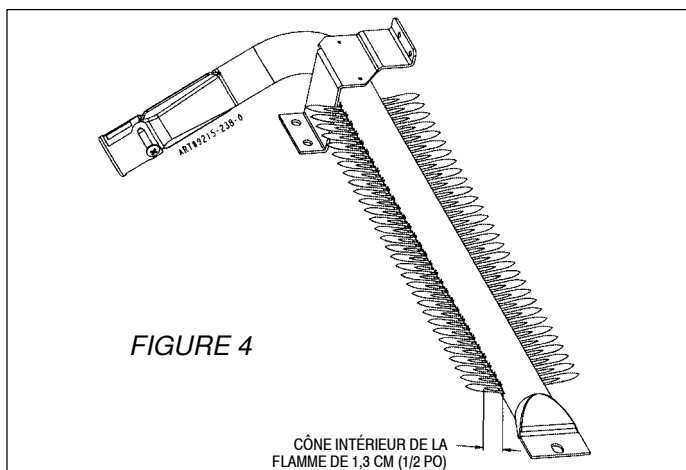
Pour allumer un brûleur de la surface de cuisson, pousser sur le bouton de commande correspondant et le mettre sur la position LITE. Le brûleur s'allume. Pour CESSER la production d'étincelles une fois le brûleur allumé, tourner le bouton sur le réglage HI.

REMARQUE : Les brûleurs de la surface de cuisson ne sont pas réglables.

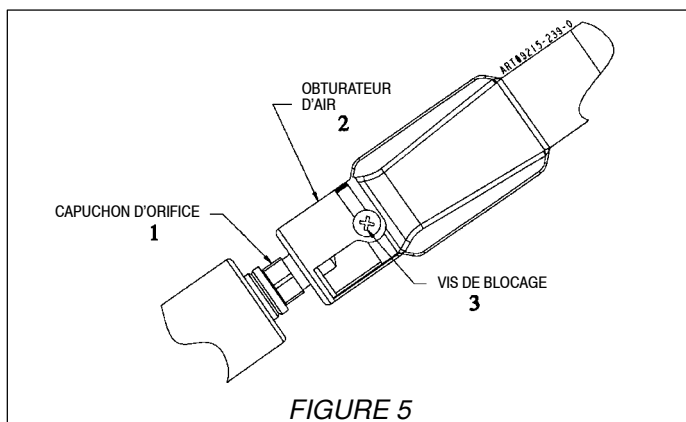
Obturbateur d'air - Brûleur du four et du grill

REMARQUE : Si le brûleur du four ne s'allume pas, vérifier la position du robinet d'arrêt.

- a. La hauteur approximative de la flamme d'un brûleur du four doit présenter une partie bleue distincte de 13 mm (1/2 po) (voir la figure 4).



- b. Pour vérifier la flamme du brûleur du four/grill :
1. Flamme jaune - ouvrir l'obturateur d'air afin d'assurer son ouverture maximum tout en ayant une flamme qui ne se soulève pas du brûleur ou qui s'éteint lorsque le brûleur est froid. (Voir l'élément 2 de la figure 5.) Il est normal que la flamme présente une pointe légèrement jaune avec le GPL.
 2. Flamme avec partie bleue distincte mais qui se soulève du brûleur - fermer l'obturateur d'air jusqu'à ce qu'il produise une flamme qui ne se soulève pas du brûleur ou s'éteint lorsque le brûleur est froid. (Voir l'élément 2 de la figure 5.)



CONVERSION À UN GAZ DIFFÉRENT

Si la conversion à un gaz différent est nécessaire, convertir le régulateur avant la mise en place.

Pour accéder au robinet d'arrêt du détendeur depuis l'avant de la cuisinière, enlever le tiroir de rangement.

Pour enlever le tiroir de rangement : Le tirer jusqu'à la première position d'arrêt. Soulever l'avant du tiroir et tirer jusqu'à la deuxième position d'arrêt, puis saisir les côtés du tiroir, le soulever et l'enlever.

Pour le remettre en place : Insérer les roulements du tiroir sur les rails. Soulever l'avant du tiroir et pousser doucement jusqu'à la première position d'arrêt. Soulever et continuer à faire coulisser le tiroir vers l'arrière jusqu'à ce qu'il soit fermé.

Généralités

Cet appareil est équipé d'un détendeur convertible, de capuchons d'orifice fixes (brûleurs du four et du grill) et d'orifices de brûleurs de surface de cuisson réglés au gaz naturel en usine.

Pour convertir l'appareil au gaz de pétrole liquéfié (GPL) ou au gaz naturel, il faut régler les obturbateurs d'air des brûleurs du four (cuisson au four et au grill) et le capuchon de conversion du détendeur et remplacer les orifices des brûleurs du four et de la surface de cuisson.

REMARQUE : Les capuchons des orifices des brûleurs pour la cuisson au four et au grill ainsi que les orifices des brûleurs de la surface de cuisson se trouvent dans le nécessaire fixé à l'arrière de l'appareil.

Les consignes de conversion sont incluses dans le nécessaire. Mettre les orifices déposés de côté pour usage ultérieur.

La pression d'arrivée de gaz au détendeur d'un appareil ménager doit être la suivante lors du fonctionnement de l'appareil et lors de la vérification du réglage du détendeur :

PRESSION D'ARRIVÉE DE GAZ EN kPa (POUCES DE COLONNE D'EAU)	GAZ NATUREL	GAZ GPL
Minimum	1,25 (5)	2,75 (11)
Maximum	3,5 (14)	3,5 (14)

Conversion du détendeur de l'appareil

Le détendeur de l'appareil doit être réglé en fonction du type de gaz utilisé. Pour une conversion du gaz naturel au gaz GPL, le détendeur doit être converti de façon à ce qu'il assure la régulation de la pression du gaz GPL. Pour une conversion du gaz GPL au gaz naturel, le détendeur doit être converti de façon à ce qu'il assure la régulation de la pression du gaz naturel.

Pour convertir le détendeur d'un type de gaz à l'autre, suivre les indications ci-dessous :

- Enlever le pare-poussière en plastique de l'écrou du capuchon se trouvant au haut du détendeur. Enlever l'écrou du capuchon du détendeur (le pare-poussière en plastique s'enlève avec l'écrou). **IMPORTANT** : retirer le pare-poussière en plastique de l'écrou du capuchon et le remonter du côté opposé de l'écrou du capuchon.
- Remonter l'écrou du capuchon sur le détendeur et remettre le pare-poussière en place. **ATTENTION** veiller à ce que l'indication du type de gaz auquel le détendeur vient d'être converti soit visible au haut de l'écrou du capuchon avant de remettre le pare-poussière en plastique en place. (Voir la figure 6.)

REMARQUE : Si le brûleur du four ne s'allume pas, vérifier la position du robinet d'arrêt.

DÉPLACEMENT DE LA CUISINIÈRE POUR LE DÉPANNAGE

Suivre les indications ci-dessous pour déplacer l'appareil afin de le dépanner.

1. Faire glisser la cuisinière vers l'avant pour la dégager du dispositif de stabilisation.
2. Fermer l'alimentation en gaz à l'appareil.
3. Débrancher l'appareil de l'alimentation électrique.
4. Désolidariser la conduite d'alimentation en gaz de l'appareil.
5. Procéder inversement pour la remettre en place. Si la conduite de gaz a été désolidarisée de l'appareil, vérifier qu'il n'y a pas de fuites une fois le raccordement effectué.

REMARQUE : Il est fortement recommandé que l'appareil soit désolidarisé de l'alimentation en gaz et raccordé à nouveau par un technicien de service après-vente qualifié.

La personne effectuant le dépannage **DOIT** suivre les instructions de mise en service fournies avec le raccord à gaz de l'appareil ainsi que sur l'étiquette de mise en garde fixée au raccord.

6. Pour éviter que la cuisinière ne bascule accidentellement, il faut la bloquer en glissant le pied de mise à niveau arrière dans le dispositif de stabilisation.

INFORMATIONS SUR LES PIÈCES ET LE SERVICE APRÈS-VENTE

Pour toutes pièces de rechange et tout service après-vente, contacter le revendeur ou un prestataire de service après-vente agréé. Prière de donner le numéro de modèle et le numéro de série complets de la cuisinière, qui se trouvent sur la plaque signalétique.

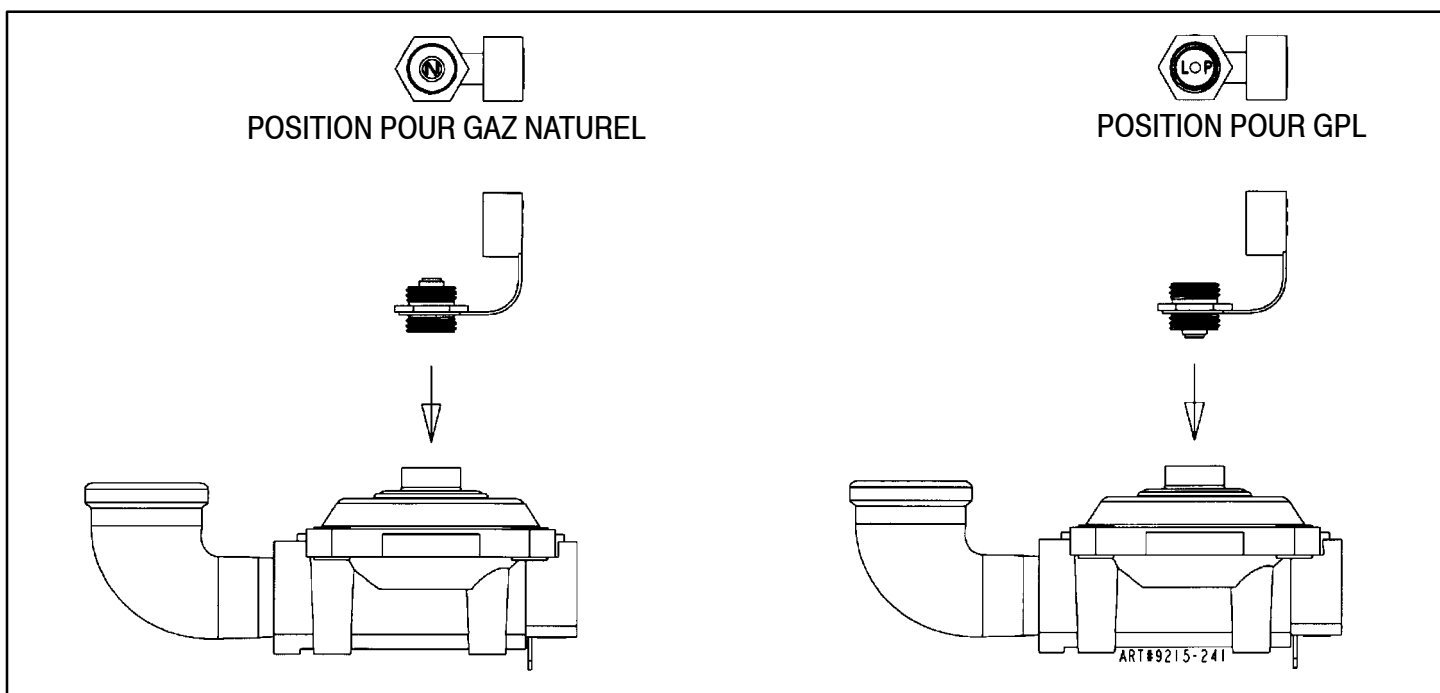


FIGURE 6