



AMANA® PRODUCT GUIDE

For the latest product information, visit www.amana.com.



Amana® Product Guide

APRIL 2004



THE ART OF COMMON SENSE™

APRIL 2004



Cooking



Models Shown: ABB2527DEW (Refrigerator), AER5845QAF (Range) And ACO1840AW (Microwave)



AER5845QAF

Freestanding 5.22 Cu. Ft. Electric Ranges

CLEAN-N-SIMPLE DESIGN

- Self-Cleaning Oven With Adjustable Cleaning Levels (Light, Medium, Heavy)
- Hidden Bake Element
- Smooth-Gloss Porcelain Backguard
- SpillSaver™ Upswept Cooktop Design

BASE FEATURES

- 5.22 Cu. Ft. Capacity
- 8 Rack Positions
- Temp-Assure™ Preheat
- Cook & Hold Setting
- Keep Warm Setting
- Delay Setting
- 12-Hour Auto Shutoff
- Electronic Clock With Timer
- Sabbath Mode
- Child Lockout
- Hi/Lo Broil
- Porcelain Broiler Pan
- Interior Oven Light

Bolded items indicate step-up features.



AER5515QA

- 4 Removable Coil Elements
- Electric Elements:
(2) 6" 1,500-Watt Elements
(2) 8" 2,350-Watt Elements
- 4 Porcelain-Enamel Drip Bowls
- Porcelain-Steel Cooking Surface
- Easy Touch 500 Oven Controls
- 2 Oven Racks
- Storage Drawer

white bisque



AER5715QA

- Glass-Ceramic Cooking Surface
- 4 Ribbon Radiant Elements
- Electric Elements:
(2) 6" 1,200-Watt Elements
(2) 9" 2,500-Watt Elements
- **Top Burner "ON"/"HOT" Indicator Light**
- Easy Touch 500 Oven Controls
- 2 Oven Racks
- Storage Drawer

white bisque stainless steel



AER5725QA

- Glass-Ceramic Cooking Surface
- 4 Ribbon Radiant Elements
- Electric Elements:
(2) 6" 1,200-Watt Elements
(1) 9" 2,500-Watt Element
(1) **9" 2,400-/700-Watt Dual Element**
- Top Burner "ON"/"HOT" Indicator Light
- Easy Touch 500 Oven Controls
- 2 Oven Racks
- Storage Drawer

white bisque
frost white natural bisque



AER5735QA

- Glass-Ceramic Cooking Surface
- 5 Ribbon Radiant Elements
- Electric Elements:
(2) 6" 1,200-Watt Elements
(2) 9" 2,400-/700-Watt Dual Elements
- **100-Watt Warming Zone With Adjustable Temperature**
- Top Burner "ON"/"HOT" Indicator Light
- **Easy Touch 700 Oven Controls**
- **Dual Temperature And Clock Display**
- **Favorite Setting**
- **1 Oven Rack And 1 EasyRack™ Oven Rack**
- Storage Drawer

white bisque black stainless steel
frost white natural bisque



AER5845QA

- **Easy-Use Convection With Auto Conversion**
- Glass-Ceramic Cooking Surface
- 5 Ribbon Radiant Elements
- Electric Elements:
(2) 6" 1,200-Watt Elements
(2) 9" 2,400-/700-Watt Dual Elements
- 100-Watt Warming Zone With Adjustable Temperature
- Top Burner "ON"/"HOT" Indicator Light
- **Easy Touch 800 Oven Controls**
- Dual Temperature And Clock Display
- Favorite Setting
- **Warming Drawer**
- **Automatic Interior Oven Light**
- 2 Oven Racks And 1 EasyRack™ Oven Rack

frost white natural bisque black stainless steel

Freestanding 4.0 Cu. Ft. Electric Ranges

BASE FEATURES

- 4.0 Cu. Ft. Oven Capacity
- Porcelain Backguard
- Versatile Element Configuration
- Electronic Clock With Timer And Door Latch
- Self-Cleaning Oven
- Interior Oven Light
- Porcelain Broiler Pan And Grid
- Full-Width Storage Drawer
- Delay-Bake Oven Control
- 12-Hour Shutoff
- Counterbalanced Oven Door
- Upswept Cooktop Design
- Top Burner "ON"/"HOT" Indicator Light

Bolded items indicate step-up features.



DCF4115A

- High-Performance Coil Elements
- Electronic Oven Control
- Electric Elements:
(2) 6" 1,500-Watt
(2) 8" 2,350-Watt
- 4 Chrome Drip Bowls
- Lift-Off Top With Support Rods
- 2 Oven Racks/5 Positions
- Four-Pass Broiler
- Viewing Window

white bisque



DCF4215A

- Glass-Ceramic Smoothtop
- Electronic Oven Control
- Electric Elements:
(2) 6" 1,200-Watt
(2) 9" 2,200-Watt
- 2 Oven Racks/5 Positions
- Four-Pass Broiler
- Viewing Window
- **Monochromatic Color**

white bisque



AGR5835QDS

Freestanding 5.22 Cu. Ft. Gas Ranges

CLEAN-N-SIMPLE DESIGN

- Self-Cleaning Oven With Adjustable Cleaning Levels (Light, Medium, Heavy)
- Hidden Bake Burner
- Smooth-Gloss Porcelain Backguard
- SpillSaver™ Upswept Cooktop Design
- Sealed Surface Burners And Lift-Off Burner Caps

BASE FEATURES

- 5.22 Cu. Ft. Capacity
- 8 Rack Positions
- Temp-Assure™ Preheat
- Cook & Hold Setting
- Keep Warm Setting
- Delay-Bake Oven Control
- 12-Hour Auto Shutoff
- Electronic Clock With Timer
- Sabbath Mode
- Child Lockout
- Hi/Lo Broil
- Porcelain Broiler Pan
- Interior Oven Light
- Heavy-Duty Cast-Iron Burner Grates
- LP Kit Included

Bolded items indicate step-up features.



AGR5715QD

- 4 Sealed Gas Burners:
(1) 12,000-/11,000-BTU Burner
(2) 9,200-/9,100-BTU Burners
(1) 5,000-/4,000-BTU Burner
- Four-Piece Cast-Iron Grates
- Easy Touch 500 Oven Controls
- 2 Oven Racks
- Storage Drawer

white bisque stainless steel



AGR5735QD

- 4 Sealed Gas Burners:
(1) **16,000-/14,000-BTU Burner**
(2) 9,200-/9,100-BTU Burners
(1) 5,000-/4,000-BTU Burner
- **Two-Piece Cast-Iron Grates**
- **Trivet Grate**
- **Easy Touch 700 Oven Controls**
- **Dual Temperature And Clock Display**
- **Favorite Setting**
- **1 Oven Rack And 1 EasyRack™ Oven Rack**
- Storage Drawer

white bisque black stainless steel



AGR5835QD

- **Easy-Use Convection With Auto Conversion**
- 4 Sealed Gas Burners:
(1) 16,000-/14,000-BTU Burner
(2) 9,200-/9,100-BTU Burners
(1) 5,000-/4,000-BTU Burner
- Two-Piece Cast-Iron Grates
- Trivet Grate
- **Easy Touch 800 Oven Controls**
- **Dual Temperature And Clock Display**
- **Favorite Setting**
- **2 Oven Racks And 1 EasyRack™ Oven Rack**
- Storage Drawer

white bisque black stainless steel

Freestanding 4.0 Cu. Ft. Gas Range

BASE FEATURES

- 4.0 Cu. Ft. Oven Capacity
- Porcelain Backguard
- High-Performance Sealed Gas Burners
- Electronic Clock With Timer
- Self-Cleaning Oven
- Interior Oven Light
- Porcelain Broiler Pan And Grid
- Removable Full-Width Storage Drawer
- Delay-Bake Oven Control
- 12-Hour Shutoff
- Counterbalanced Oven Door
- Upswept Cooktop Design
- Bar Broiler
- Pull-Off Control Knobs



DCF3315A

- Electronic Oven Control
- Sealed Gas Burners:
(3) 9,200-BTU
(1) 12,000-BTU
- Automatic Oven Door Latch
- Porcelain-Coated Steel Grates
- Child Lockout
- 2 Oven Racks/5 Positions
- Viewing Window

white bisque



AGDS902SS (With Aftermarket Backsplash)

Slide-In Ranges

BASE FEATURES

- Self-Cleaning Oven
- Interior Oven Light
- Porcelain Broiler Pan And Grid
- Removable Full-Width Storage Drawer
- Touchmatic™ Electronic Oven Control
- Removable Counterbalanced Glass Oven Door

Bolded items indicate step-up features.



ACS4250A

- 3.7 Cu. Ft. Oven Capacity
- 30" True-Color Electric Smoothtop
- 4 Electric Elements:
(1) 6" 1,200-Watt Element
(1) 7" 1,500-Watt Element
(1) 8" 2,000-Watt Element
(1) 9 1/2" 2,500-/1,000-Watt Dual Element
- Insta-Broil™ Broiling System
- 2 Oven Racks
- Extra-Large Viewing Window

true white true bisque true black



ACS7270A

- 3.4 Cu. Ft. Oven Capacity
- 30" True-Color Electric Smoothtop
- 4 Electric Elements:
(1) 6" 1,200-Watt Element
(1) 7" 1,500-Watt Element
(1) 8" 2,000-Watt Element
(1) 9 1/2" 2,500-/1,000-Watt Dual Element
- Convection With Third Element
- Insta-Broil™ Broiling System
- 3 Oven Racks
- Extra-Large Viewing Window

true white true black stainless steel



ARDS802

- 3.7 Cu. Ft. Oven Capacity
- 30" Electric Downdraft
- Cartridges Available:
ACR100WW/E — Coil Elements
ACT101WW/E — Ribbon Radiant Elements
ACH100WW/E — Quartz Halogen/Ribbon Radiant
ACG100 — Griddle (Requires Grill Cartridge)
ACL100 — Electric Smoke-Control Grill (Shipped With Unit)
- Requires Second Cartridge
- 2 Oven Racks
- **XXL Viewing Window**

white black stainless steel



ACS3350A

- 3.7 Cu. Ft. Oven Capacity
- 30" Gas
- 4 Sealed Gas Burners:
(1) 5,000-/4,000-BTU Burner
(1) 9,100-/8,000-BTU Burner
(2) 12,500-/10,000-BTU Burners
- Insta-Broil™ Broiling System
- Full-Coverage Grates
- 2 Oven Racks
- **XXL Viewing Window**

white black stainless steel



AGDS902

- 3.7 Cu. Ft. Oven Capacity
- 30" Gas Downdraft
- Cartridges Available:
ACS200 — Sealed Gas Burner (Shipped With Unit)
ACG200 — Griddle
ACL200 — Smoke-Control Grill (Right Side Only)
- Requires Second Cartridge
- Insta-Broil™ Broiling System
- 2 Oven Racks
- **XXL Viewing Window**

white black stainless steel



AEW4630DD

Electric Wall Ovens

BASE FEATURES

- Temp-Assure™ Preheat
- Easy Touch Controls
- Favorite Setting
- Cook & Hold Setting
- Electronic Clock With Timer
- Control Lockout
- Large Viewing Window
- 4 Rack Positions
- Automatic Oven Light
- Six-Pass Broiler
- Porcelain Broiler Pan
- Sabbath Mode
- Adjustable Self-Cleaning Oven With Auto Door Lock
- Delay-Clean Option
- Smooth-Surface Control Panel

Bolded items indicate step-up features.



AEW3530DD

- 30" Single Electric Wall Oven
- 3.8 Cu. Ft. Capacity
- 2 Oven Racks
- Under-Counter/Cooktop Installation



AEW4530DD

- 30" Single Electric Wall Oven
- 3.8 Cu. Ft. Capacity
- **Easy-Use Convection With Auto Conversion**
- **3 Oven Racks**
- Under-Counter/Cooktop Installation



AEW3630DD

- 30" Double Electric Wall Oven
- 3.8 Cu. Ft. Capacity Upper Oven/
3.8 Cu. Ft. Capacity Lower Oven
- 2 Upper Oven Racks, 2 Lower Oven Racks



AEW4630DD

- 30" Double Electric Wall Oven
- 3.8 Cu. Ft. Capacity Upper Oven/
3.8 Cu. Ft. Capacity Lower Oven
- **Easy-Use Convection With Auto Conversion (Upper)**
- **3 Upper Oven Racks, 2 Lower Oven Racks**



For additional feature information, see specifications chart on page 55.



AKS3040BS (Range) With Aftermarket Backsplash And UXT2030AS (Kitchen Hood)

Gas Cooktops

BASE FEATURES

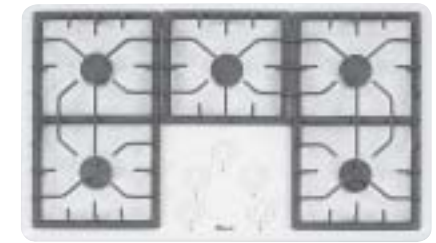
- High-Performance Sealed Gas Burners
- Recessed Porcelain Or Stainless Steel Cooktop Surface
- Cast-Iron Burner Grates
- Infinite Burner Control Settings
- Countertop/Island/Peninsula Installation
- Variable-Speed Downdraft Ventilation System (Downdraft Only)
- "ON" Indicator Light (Downdraft Only)

Bolded items indicate step-up features.



AKS3040B

- 30" Gas Cooktop
- 4 Sealed Gas Burners:
(1) 5,000-BTU Burner With **650-BTU Simmer Setting**
(2) 9,200-BTU Burners
(1) 12,500-BTU Burner
- **One-Piece Continuous Cast-Iron Grates**
- Right- Or Left-Hand Installation
- Installs Over 30" Amana® Wall Oven Or Cabinet



AKS3640

- 36" Gas Cooktop
- **5 Sealed Gas Burners:**
(3) 9,200-BTU Burners
(1) 12,500-BTU Burner
(1) 10,500-BTU Burner
- One-Piece Continuous Cast-Iron Grates
- Installs Over 30" Amana® Wall Oven Or Cabinet



ACC3660A

- **30" Gas Downdraft Cooktop**
- 1 "ON" Indicator Light
- Shipped With 2 ACS200 Sealed Gas Burner Cartridges:
(1) 12,500-BTU Burner
(2) 9,700-BTU Burners
(1) 7,600-BTU Burner
- Optional Cartridges Available:
ACG200 — Griddle
ACL200 — Grill
ACS200 — Sealed Burner (Shipped With Unit)



For additional feature information, see specifications chart on page 56.



AKT3650W

Electric Cooktops

BASE FEATURES

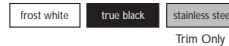
- True-Color Glass-Ceramic Cooktop Surface
- Dual Element(s)
- Hot-Surface Indicator Lights
- Counter-Flush Installation Kit Available
- Countertop/Island/Peninsula Installation
- "ON" Indicator Light
- Variable-Speed Downdraft Ventilation System (Downdraft Only)
- Upfront Controls (Downdraft Only)

Bolded items indicate step-up features.



AKT3040

- 30" Electric Cooktop
- Amana® Designer Pattern
- 4 Ribbon Radiant Elements:
 - (1) 6" 1,200-Watt Element
 - (1) 7" 1,500-Watt Element
 - (1) 8" 2,000-Watt Element
 - (1) 9" 2,500-/1,000-Watt Dual Element
- 2 "ON", 4 "HOT" Indicator Lights
- Right- Or Left-Hand Installation
- Installs Over 30" Amana® Wall Oven Or Cabinet

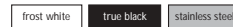


Trim Only



AKT3650

- 36" Electric Cooktop
- Amana® Designer Pattern
- 5 Ribbon Radiant Elements:
 - (1) 6" 1,200-Watt Element
 - (1) 7" 1,500-Watt Element
 - (1) 8" 2,000-Watt Element
 - (1) 9" 2,500-/1,000-Watt Dual Element
 - (1) **Warming Zone™ Element With Adjustable Temperature**
- 2 "ON", 5 "HOT" Indicator Lights
- Right- Or Left-Hand Installation
- Installs Over 30" Amana® Wall Oven Or Cabinet



Trim Only



ACC4370A

- 30" Electric Downdraft Cooktop
- Amana® Designer Pattern
- 4 Ribbon Radiant Elements:
 - (1) 6" 1,200-Watt Element
 - (1) 7" 1,500-Watt Element
 - (2) 8" 2,200-/750-Watt Dual Elements
- Center-Mounted Controls
- 4 "HOT" Indicator Lights



ACO1860AW

Amana® Radarange® Over-The-Range Microwave Ovens

BASE FEATURES

- Touchmatic® Control System
- Extra-Large Turntable
- External/Internal Venting
- Warm/Hold
- Auto Defrost
- Scrolling Word-Prompt Display
- Custom Programs
- Easy Cook™ Pad
- 10 Power Levels
- Child Lockout
- Kitchen Timer
- Digital Clock
- Interior Oven Light
- Complete Reminder
- 4 Control Setup Options
- Cooktop Light
- Vent Hi/Low/Off
- Light Hi/Low/Off
- Charcoal Filter Included

Bolded items indicate step-up features.



ACO1520A

- 1.5 Cu. Ft. Capacity
- 950-Watt
- 4 Programmed Pads
- 3 Program Levels
- 220 CFM Venting System



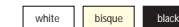
ACO1560A

- 1.5 Cu. Ft. Capacity
- **1,000-Watt**
- **Turntable On/Off**
- **Time Defrost**
- **More/Less Adjust**
- **Light Timer**
- **Bilevel Wire Rack**
- **6 Sensor Programmed Pads**
- 3 Program Levels
- **Help Pad**
- 220 CFM Venting System



ACO1840A

- **1.8 Cu. Ft. Capacity**
- 1,000-Watt
- **Recessed Turntable**
- Turntable On/Off
- Time Defrost
- More/Less Adjust
- Light Timer
- Bilevel Wire Rack
- 6 Programmed Pads
- **Rapid Defrost**
- 3 Program Levels
- Help Pad
- **2 Cooktop Lights**
- **300 CFM Venting System**



ACO1860A

- 1.8 Cu. Ft. Capacity
- 1,000-Watt
- Recessed Turntable
- Turntable On/Off
- Time Defrost
- More/Less Adjust
- Light Timer
- Bilevel Wire Rack
- **6 Sensor Programmed Pads**
- Rapid Defrost
- 3 Program Levels
- Help Pad
- 2 Cooktop Lights
- 300 CFM Venting System





ACM1580AS

Amana® Radarange® Countertop Microwave Ovens

BASE FEATURES

- Turntable
- Auto Defrost
- 10 Power Levels
- Touchmatic® Control System
- Digital Clock
- Cooking Complete Reminder
- Programmed Pads
- Interior Oven Light

Bolded items indicate step-up features.



(Available June 2004)

AMC4080AA

- 0.8 Cu. Ft. Capacity
- 800-Watt
- 12-Hour Digital Clock
- Under-Cabinet Mounting Capability



(Available June 2004)

AMC5101AA

- 1.0 Cu. Ft. Capacity
- 1,000-Watt
- 12-Hour Digital Clock
- Sound On/Off
- Kitchen Timer
- More/Less Adjust
- Child Lockout
- Handy Helper
- Kids Meals
- Snack Bar
- Auto Reheat
- Lbs./Kg Option



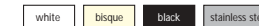
ACM1580AA

- Convection/Combination (Roast/Bake)
 - 1.5 Cu. Ft. Capacity
 - 1,000-Watt
 - 12-Hour Digital Clock
 - Kitchen Timer
 - More/Less Adjust
 - Easy Cook™ Pad
 - Warm
 - Child Lockout
 - Sensor Popcorn Pad
 - Able To Be Built In
- *Easy Cook™ Function — Each push adds 30 seconds up to 3 1/2 minutes, then each push adds 1 minute up to 99 minutes.*



ACM2160AA

- 2.1 Cu. Ft. Capacity
- 1,100-Watt
- 24-Hour Digital Clock
- Kitchen Timer
- 3 Program Levels
- More/Less Adjust
- Easy Cook™ Pad
- Warm/Hold
- Child Lockout
- Able To Be Built In
- Trim Kits Available
- 5 Sensor Programmed Pads



(Available June 2004)

AMC5108AA

- **Three-In-One™ Toaster Microwave Oven**
- 1.0 Cu. Ft. Capacity
- 1,000-Watt
- 12-Hour Digital Clock
- Sound On/Off
- Kitchen Timer
- More/Less Adjust
- **Broil/Top Brown**
- Warm
- Preheat
- Speed Cook
- **Seven-Level Toaster With Toasting Rack**
- Child Lockout
- Handy Helper
- Kids Meals
- Snack Bar
- Lbs./Kg Option



(Available June 2004)

AMC5143AA

- 1.4 Cu. Ft. Capacity
- 1,100-Watt
- 24-Hour Digital Clock
- Low/Mid/Hi/Melody/Off Sound
- Kitchen Timer
- More/Less Adjust
- Child Lockout
- Able To Be Built In*
- Trim Kits Available
- 8 Sensor Programmed Pads
- Handy Helper
- Kids Meals
- Snack Bar
- Sensor Auto Reheat
- Lbs./Kg Option



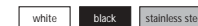
*Not for use above a wall oven.



(Available June 2004)

AMC6138AA

- Convection/Combination (Roast/Bake)
- 1.3 Cu. Ft. Capacity
- 950-Watt
- 24-Hour Digital Clock
- Low/Mid/Hi/Off Sound
- Kitchen Timer
- More/Less Adjust
- Preheat
- Child Lockout
- Auto Reheat
- Diet Cook
- Lbs./Kg Option
- Countertop Unit Only (Cannot Be Built-In)



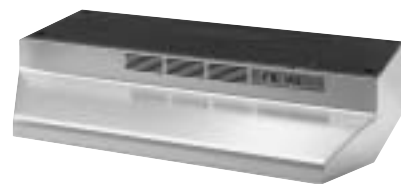


UXT5430AW

Kitchen Hoods

BASE FEATURES

- Multiple-Speed Settings
- Light



UXT4030A

- 30" Hood
- Recirculating Ventilation With Charcoal Filter
- 2 Speed Settings
- Light



UXT4036A (NOT PICTURED)

The 36" model includes the same features and colors as UXT4030A with recirculating ventilation.



UXT5230AD

- 30" Hood
- 300 CFM Centrifugal Blower
- 3 Speed Settings
- Slide Controls
- Dual Incandescent Lighting
- Filterless Self-Cleaning
- Quiet Operation



UXT5236A (NOT PICTURED)

The 36" model includes the same features and colors as UXT5230A.



UXT5430AD

- 30" Hood
- 400 CFM Centrifugal Blower
- 3 Speed Settings
- Electronic Touch Controls
- Dual Halogen Lighting With Night Light
- Filterless Self-Cleaning
- Quiet Operation
- Delay-Off



UXT5436A (NOT PICTURED)

The 36" model includes the same features and colors as UXT5430A.



AMANA® FREESTANDING 5.22 CU. FT. ELECTRIC RANGES

Table with columns for Models (AER5515QA, AER5715QA, AER5725QA, AER5735QA, AER5845QA), Colors, Interior Features, Exterior Features, Controls, and Cooktop Features.

*Frost White (F) and Natural Bisque (N) models feature true-color cooktop surfaces.

Easy Touch Controls



- EASY TOUCH 500
AER5515QA/AER5715QA/AER5725QA/AGR5715QD
• Electronic Clock With Timer
• Cook & Hold Setting
• Keep Warm Setting
• Delay Setting
• 12-Hour Auto Shutoff
• Child Lockout
• Sabbath Mode



- EASY TOUCH 700
AER5735QA/AGR5735QD
• Favorite Setting
• Electronic Clock With Timer And Temperature Display
• Cook & Hold Setting
• Keep Warm Setting
• Delay Setting
• 12-Hour Auto Shutoff
• Child Lockout
• Sabbath Mode



- EASY TOUCH 800
AER5845QA/AGR5835QD
• Easy-Use Convection With Auto Bake
• Favorite Setting
• Electronic Clock With Timer And Temperature Display
• Cook & Hold Setting
• Keep Warm Setting
• Delay Setting
• 12-Hour Auto Shutoff
• Child Lockout
• Sabbath Mode

For installation information, see page 53.

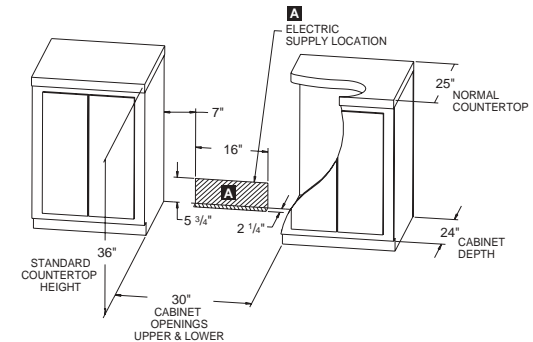


AMANA® FREESTANDING 5.22 CU. FT. GAS RANGES

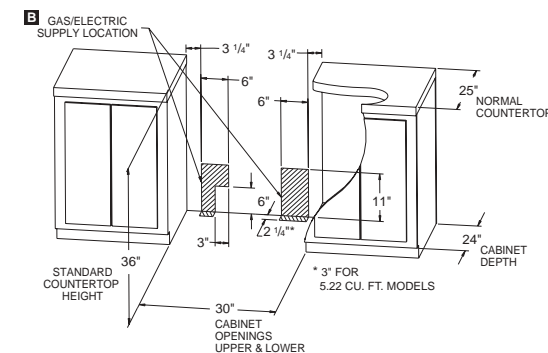
Table with columns for Models (AGR5715QD, AGR5735QD, AGR5835QD), Colors, Interior Features, Exterior Features, Controls, and Cooktop BTUs.

INSTALLATION INFORMATION

30" Electric Range Installation



30" Gas Range Installation



A Electric Models: Provide 120/208-, 120/240-volt outlet per applicable cord in this area.

B Gas Models: Recommended gas line location (electric ignition models) and provide for 120-volt grounded electrical outlet in this area. Outlet must be flush.

Refer to installation instructions packaged with unit or consult your local Amana representative before making any cutouts or final designs.

Amana's ongoing commitment to quality products may mean a change in product specifications without notice.



AMANA® FREESTANDING 4.0 CU. FT. RANGES

MODELS	ELECTRIC		GAS
	DCF4115A	DCF4215A	DCF3315A
Colors			
White	•	•	•
Bisque	•	•	•
Exterior Features			
Steel Towel-Bar Door Handle	•	•	•
Porcelain Backguard	•	•	•
Electronic Oven Control	•	•	•
Top-Burner "On"/"Hot" Indicator Light	•	•	•
12-Hour Shutoff	•	•	•
Control Lockout	•	•	•
High-Performance Coil Elements	•	•	•
Glass-Ceramic Cooking Surface	•	•	•
One-Piece Burner Grates	•	•	•
Full-Width Glass Door	•	•	•
Full-Width Storage Drawer	•	•	•
Viewing Window	•	•	•
Self-Cleaning Oven Door Latch	Manual	Manual	Automatic
Element Configuration			
6" Coil — 1,500 Watts	2		
8" Coil — 2,350 Watts	2		
6" — 1,200 Watts		2	
9" — 2,200 Watts		2	
Burner BTU (Nat./LP)			
Sealed Gas Burner			(3) 9,200/8,000 (1) 12,000/8,500
Oven Wattage/BTU (Nat./LP)			
Bake	2,585	2,585	
Four-Pass Broiler	3,000	3,000	
Interior Features			
Self-Cleaning Oven	•	•	•
Delay-Bake Oven Control	•	•	•
Interior Oven Light	Manual	Manual	Manual
Oven Racks	2/5-Position	2/5-Position	2/5-Position
Porcelain Broiler Pan And Grid	•	•	•
Interior Dimensions — in. (cm)			
Overall Capacity — cu. ft.	4.0	4.0	4.0
Height	16 ½ (41.9)	16 ½ (41.9)	16 ½ (41.9)
Width	23 (58.4)	23 (58.4)	23 (58.4)
Depth	18 ¾ (46.0)	18 ¾ (46.0)	18 ¾ (46.0)
Exterior Dimensions — in. (cm)			
Height — Base To Cooking Surface	36 (91.4)	36 (91.4)	36 (91.4)
Height — Base To Backguard	45 ¼ (114.9)	45 ¼ (114.9)	45 ¼ (114.9)
Width	29 ¾ (75.9)	29 ¾ (75.9)	29 ¾ (75.9)
Depth — Excluding Handle	26 ¾ (66.4)	26 ¾ (66.4)	26 ¾ (66.4)

AMANA® SLIDE-IN RANGES

MODELS	ELECTRIC			GAS	
	ACS4250A	ACS7270A	ARDS802	ACS3350A	AGDS902
Style	Smoothtop	Smoothtop/Convection	Electric Downdraft	Gas	Gas Downdraft
Colors					
White			•	•	•
True White	•	•			
True Bisque	•				
Black			•	•	•
True Black	•	•			
Stainless Steel		•	•	•	•
Interior Features					
Self-Cleaning Oven	•	•	•	•	•
Hidden Bake Element			•		
Interior Oven Light	•	•	•	•	•
Racks	2	3	2	2	2
Porcelain Broiler Pan And Grid	•	•	•	•	•
Insta-Broil™ Element/Burner	•	•	•	•	•
Convection With Third Element		•			
Exterior Features					
Glass-Ceramic Cooking Surface	True-Color	True-Color			
Full-Coverage Grates				•	
Removable Counterbalanced Glass Oven Door	•	•	•	•	•
Full-Width Storage Drawer	•	•	•	•	•
Touchmatic™ Electronic Oven Control	•	•	•	•	•
Window	XL	XL	XXL	XXL	XXL
Electric Element Wattage/ Gas Burner BTU (Nat./LP)					
6" Radiant — 1,200 Watts	1	1			
7" Radiant — 1,500 Watts	1	1			
8" Radiant — 2,000 Watts	1	1			
9"/6" Dual Radiant — 2,500/1,000 Watts	1	1			
Small				5,000/4,000 (LF)	
Medium				9,100/8,000 (RR)	
Large				(2) 12,500/10,000 (LR, RF)	
Cartridges				(See Options To The Right)	(See Options To The Right)
Oven Wattage/BTU (Nat./LP)					
Bake	2,500	2,500	2,500	15,500/15,500	15,500
Insta-Broil™ Element	3,000	3,000	3,000	14,000/13,000	13,500
Convection With Third Element		2,200			
Interior Dimensions — in. (cm)					
Overall Capacity — cu. ft.	3.7	3.4	3.7	3.7	3.7
Height	16 (40.6)	16 (40.6)	16 (40.6)	16 (40.6)	16 (40.6)
Width	23 (58.4)	23 (58.4)	23 (58.4)	23 (58.4)	23 (58.4)
Depth	17 ½ (44.5)	16 (40.6)	17 (43.0)	17 ½ (44.5)	17 (43.0)
Exterior Dimensions — in. (cm)					
Height — Overall	36 (91.4)	36 (91.4)	36 (91.4)	36 (91.4)	36 (91.4)
Height — With Vent					37 ¾ (95.6)
Width — Excluding Overlapping Trim	30 (76.2)	30 (76.2)	30 (76.2)	30 (76.2)	30 (76.2)
Depth — Oven Door Closed, With Handle	28 ¾ (73.0)	28 ¾ (73.0)	28 ¾ (72.4)	28 ¾ (73.0)	28 ¾ (73.0)



SEALED GAS BURNERS
ACS200 GAS
9,700/7,600 Right Side (Nat./LP)
12,500/9,700 Left Side (Nat./LP)
(SHIPPED WITH AGDS902)
Requires second cartridge.



GRILL
ACL200 GAS
17,300 (Natural Gas)
ACL100 ELECTRIC
2,000 Watts
(SHIPPED WITH ARDS802)
Requires second cartridge.



GRIDDLE OPTION
ACG200 GAS
17,300 (Natural Gas)
ACG100 ELECTRIC
2,000 Watts



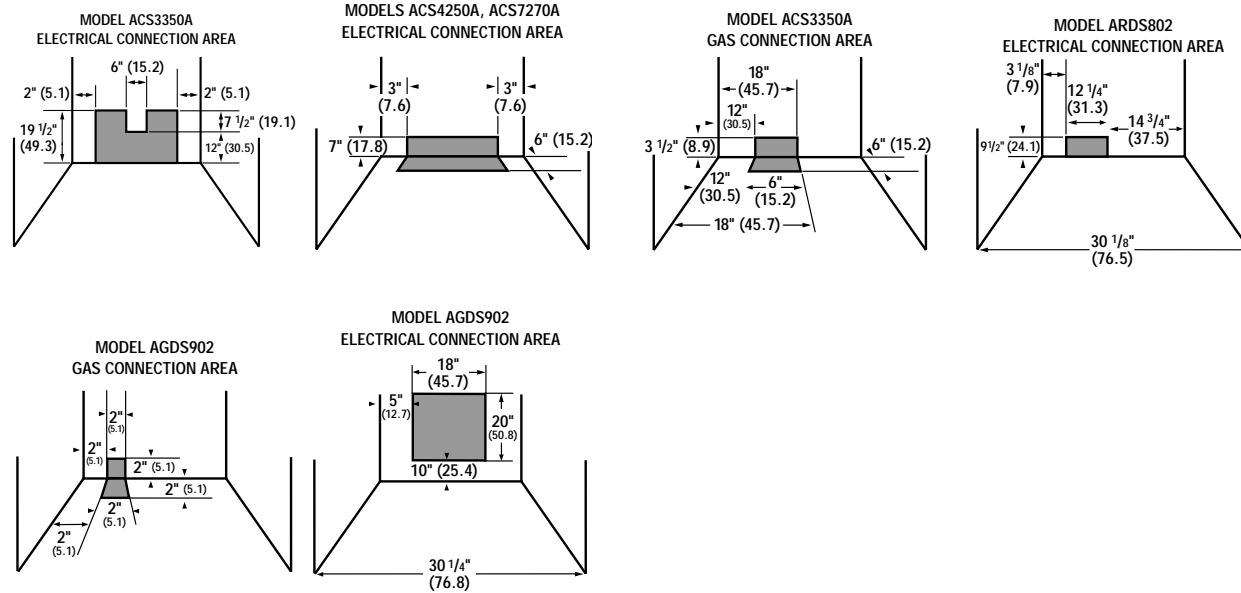
COIL OPTION
ACR100 ELECTRIC
1,500 Watts Front/
2,100 Watts Rear



RADIANT OPTION
ACT101 ELECTRIC
2,000 Watts Front/
1,200 Watts Rear

**QUARTZ
HALOGEN/RIBBON
RADIANT OPTION**
ACT101 ELECTRIC
(NOT PICTURED)

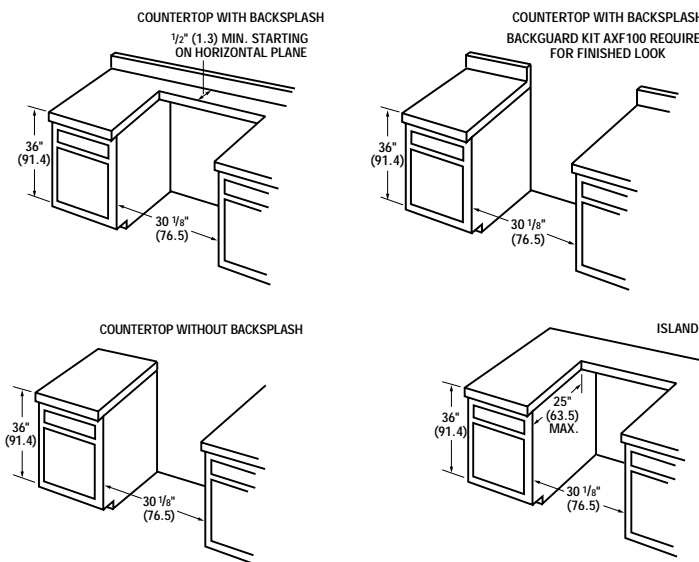
INSTALLATION INFORMATION



Standard Counter Height 36" (91.4)
 Depth 25" (63.5)
 Cabinet Depth 24" (61)

Consult installation instructions for vent cutout dimensions.

Refer to installation instructions packaged with unit or consult your local Amana representative before making any cutouts or final designs.



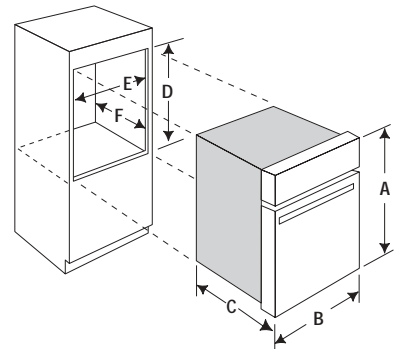
AMANA® ELECTRIC WALL OVENS

MODELS	AEW3530DD	AEW4530DD	AEW3630DD	AEW4630DD
Style	Single Electric	Single Electric Convection	Double Electric	Double Electric Convection
Width	30"	30"	30"	30"
Colors				
White	•	•	•	•
Bisque	•	•	•	•
Black	•	•	•	•
Stainless Steel	•	•	•	•
Oven Capacity — cu. ft.				
Upper	3.8	3.8	3.8	3.8
Lower			3.8	3.8
Oven Features				
Temp-Assure™ Preheat	•	•	•	•
Easy-Use Convection With Auto Conversion	•	•	•	Upper
Adjustable Self-Cleaning Oven With Auto Door Lock	•	•	Upper/Lower	Upper/Lower
Six-Pass Broiler	•	•	•	•
Automatic Oven Light	•	•	•	•
Large Viewing Window	•	•	•	•
Porcelain Broiler Pan	•	•	•	•
Rack Positions	4	4	4	4
Oven Racks — Upper	2	3	2	3
Oven Racks — Lower			2	2
Control Features				
Easy Touch Controls	•	•	•	•
Electronic Clock With Timer	•	•	•	•
Favorite Setting	•	•	•	•
Cook & Hold Setting	•	•	Upper Only	Upper Only
Delay-Clean Option	•	•	•	•
Sabbath Mode	•	•	•	•
Control Lockout	•	•	•	•
Oven Wattage @ 240V				
Easy-Use Convection		1,850		1,850
Bake	2,800	2,800	2,800	2,800
Six-Pass Broiler	3,600	3,600	3,600	3,600
Oven Interior Dimensions — in. (cm)				
Height	15 (38.1)	15 (38.1)	15 (38.1)	15 (38.1)
Width	23 1/2 (59.7)	23 1/2 (59.7)	23 1/2 (59.7)	23 1/2 (59.7)
Depth	18 1/2 (47)	18 1/2 (47)	18 1/2 (47)	18 1/2 (47)
Dimensions — in. (cm)				
Size	30 (76.2)	30 (76.2)	30 (76.2)	30 (76.2)
A — Overall Height	28 1/2 (71.8)	28 1/2 (71.8)	50 1/2 (127.6)	50 1/2 (127.6)
B — Overall Width	29 1/2 (75.6)	29 1/2 (75.6)	29 1/2 (75.6)	29 1/2 (75.6)
C — Overall Depth	24 1/8 (62.1)	24 1/8 (62.1)	24 1/8 (62.1)	24 1/8 (62.1)
D — Cutout Height	27 1/8 (70.8)	27 1/8 (70.8)	50 (127.0)	50 (127.0)
E — Cutout Width	28 1/2 (72.4)	28 1/2 (72.4)	28 1/2 (72.4)	28 1/2 (72.4)
F — Cutout Depth	24 (61)	24 (61)	24 (61)	24 (61)
Under-Counter/Cooktop Installation				
Total Connected Load — kw @ 240V/208V	3.6/2.7	3.6/2.7	7.2/5.4	7.2/5.4
Approximate Shipping Weight — lbs. (kg)	140 (63)	140 (63)	235 (106)	235 (106)

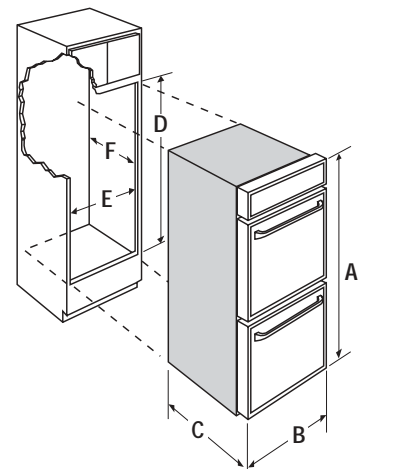
INSTALLATION INFORMATION

Typical clearance from floor when installing in wall is 35" (89). For single wall oven under-counter installation with a cooktop, refer to cooktop installation instructions. Distance from countertop to bottom of cutout must be 31 3/4" (80.7). Stacked installation [3" (7.6) min. between cutouts] and side-by-side installation [1 1/4" (4.5) min. between cutouts] also possible.

Single Wall Oven



Double Wall Oven



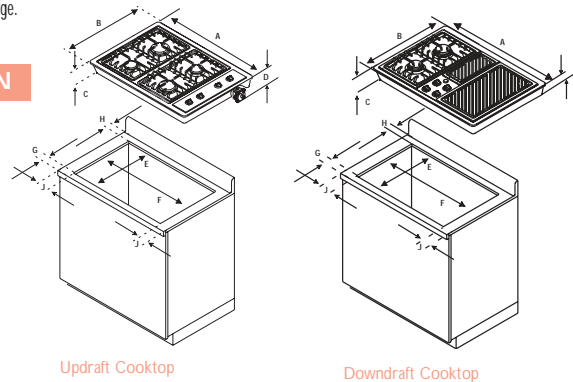


AMANA® GAS COOKTOPS

MODELS	AKS3040B	AKS3640	ACC3660A
Style	30" Sealed Gas Burner	36" Sealed Gas Burner	30" Gas Downdraft
Colors			
White	•	•	•
Bisque	•	•	•
Black	•	•	•
Stainless Steel	•	•	•
Installation			
Installs Over 30" Amana® Wall Oven	•	•	•
Countertop/Island/Peninsula Installation	•	•	•
Right- Or Left-Hand Installation	•	•	•
Features			
Variable-Speed Downdraft Ventilation System			•
Upfront Controls		•	•
"ON" Indicator Light			•
Removable Gas Cartridge (ACS200)			2
Burners			
Sealed Burners With Spark Ignition	4	5	4
Removable Burner Caps	•	•	•
One-Piece Burner Grates	2/Cast Iron	3/Cast Iron	2/Cast Iron
Grate Color			
White Model	Gray Gloss	Gray Gloss	Gray Gloss
Bisque Model	Taupe Gloss	Taupe Gloss	Gray Gloss
Black Model	Black Matte	Black Matte	Black Matte
Stainless Steel Model	Black Matte	Black Matte	Black Matte
Burner BTU (Nat./LP)			
Left Front	9,200/9,100	9,200/9,100	12,500
Right Front	12,500/10,500	12,500/10,500	9,700
Left Rear	5,000/4,000	10,500/9,100	9,700
Right Rear	9,200/9,100	9,200/9,100	7,600
Center		9,200/9,100	
650-BTU Simmer Setting	• (LR)		
Product Exterior Dimensions — in. (cm)			
A — Width	29 1/2 (74.9)	36 (91.4)	29 1/2 (74.9)
B — Depth	21 1/2 (54.6)	21 (53.3)	21 1/2 (54.6)
C — Depth — Top Of Cooktop To Bottom Of Burner Box	5 5/8 (13.0)	5 3/8 (13.7)	4 (10.2)
Cutout Dimensions — in. (cm)			
D — Depth — Top Of Counter To Bottom Of Regulator	7 1/4 (18.4)	7 1/4 (18.4)	7 3/8 (20.0)
Overall Height Of Burner Box	3 13/16 (9.7)	3 13/16 (9.7)	4 (10.2)
E — Cutout Depth	19 19/16 (50.6)	19 15/16 (50.6)	20 3/8 (52.4)
F — Cutout Width	28 1/2 (72.4)	34 1/2 (87.6)	28 1/2 (73.3)
G — Front Countertop Clearance	2 1/8 (5.4) min.	2 1/8 (5.4) min.	1 1/8 (4.8) min.
H — Back Countertop Clearance	1 (2.5) min.	1 (2.5) min.	2 1/2 (6.4) min.
J — Side Clearance (Each Side)	6 (15.2) min.	6 (15.2) min.	3 3/8 (8.1) min.
Cartridge BTU (Natural Gas Only)*			
Exclusive Smoke-Control Grill (ACL200) (Right Side Only)			17,300
Griddle Accessory (ACC200)**			

*Gas downdraft with natural gas only. **Requires grill cartridge.

INSTALLATION INFORMATION



Updraft Cooktop

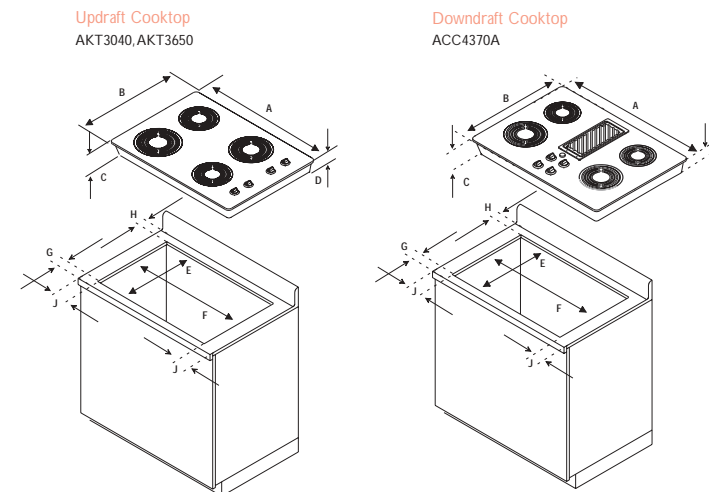
Downdraft Cooktop

GRIDDLE
ACC200 GASGRILL
ACL200 GAS

AMANA® ELECTRIC COOKTOPS

MODELS	AKT3040	AKT3650	ACC4370A
Style	30" Electric Radiant Smoothtop	36" Electric Radiant Smoothtop	30" Electric Downdraft
Colors			
Frost White	•	•	•
True Black	•	•	•
Black With Stainless Steel Trim	•	•	•
Installation			
Installs Over 30" Amana® Wall Oven	•	•	•
Right- Or Left-Hand Installation	•	•	•
Countertop/Island/Peninsula Installation	•	•	•
Cooktop Surface			
	Glass-Ceramic	Glass-Ceramic	Glass-Ceramic
Controls			
Power "ON" Indicator Lights	2	2	
Hot-Surface Indicator Lights	4	5	4
Upfront Controls			•
Element Wattage @ 240V			
6" Ribbon Radiant	(1) 1,200 (LR)	(1) 1,200 (LR)	(1) 1,200 (RR)
7" Ribbon Radiant	(1) 1,500 (RF)	(1) 1,500 (RF)	(1) 1,500 (LF)
8" Ribbon Radiant	(1) 2,000 (RR)	(1) 2,000 (RR)	
8"5" Ribbon Radiant			(2) 2,200/750 (RF, LR)
9"6" Dual Ribbon Radiant	(1) 2,500/1,000 (LF)	(1) 2,500/1,000 (LF)	
Warming Zone		(1) 100 (C)	
Product Exterior Dimensions — in. (cm)			
A — Width	29 3/8 (75.1)	35 3/8 (90.8)	29 3/8 (74.6)
B — Depth	21 1/2 (54.6)	21 1/2 (54.6)	21 1/2 (53.5)
C — Total Product Depth	3 3/8 (7.9)	3 3/8 (7.9)	7 3/8 (20.0)
Cutout Dimensions — in. (cm)			
Overall Height Of Burner Box	2 1/8 (7.3)	2 1/8 (7.3)	4 (10.2)
D — Clearance Below Countertop	4 1/2 (11.4)	4 1/2 (11.4)	7 3/8 (20.0)
E — Cutout Depth	20 3/8 (52.7)	20 3/8 (52.7)	20 3/8 (52.4)
F — Cutout Width	28 1/2 (73.3)	34 1/2 (86.7)	28 1/2 (73.3)
G — Front Countertop Clearance	2 1/2 (6.4) min.	2 1/2 (6.4) min.	2 1/2 (6.4) min.
H — Back Countertop Clearance	1/2 (1.3) min.	1/2 (1.3) min.	1/2 (1.3) min.
J — Side Clearance (Each Side)	1/2 (1.3) min.	1/2 (1.3) min.	1/2 (1.3) min.
Total Connected Load — kw @ 240V/208V	7.2/5.4	7.3/5.5	7.3/5.5

INSTALLATION INFORMATION



Allow 30" between cooking surface and unprotected wood or metal cabinet above cooktop; 24" between cooking surface and protected wood or metal cabinet above cooktop. Cabinet bottom must be protected by at least 1/4" thick millboard with not less than No. 28 MSG sheet steel, .015" thick stainless steel, .024" thick.

Refer to installation instructions packaged with unit or consult your local Amana representative before making any cutouts or final designs.

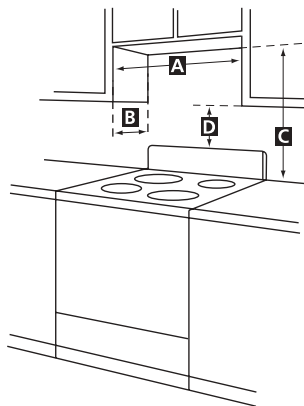


AMANA® RADARANGE® OVER-THE-RANGE MICROWAVE OVENS

MODELS	ACO1520A	ACO1560A	ACO1840A	ACO1860A
Colors				
White	•	•	•	•
Bisque	•	•	•	•
Black	•	•	•	•
Stainless Steel		•		•
Features				
Capacity — cu. ft.	1.5	1.5	1.8	1.8
Wattage	950	1,000	1,000	1,000
Extra-Large Turntable	•	•	•	•
Turntable On/Off	•	•	•	•
Word-Prompt Display	Scrolling 7-Digit	Scrolling 7-Digit	Scrolling 7-Digit	Scrolling 7-Digit
Surface Vent — Hi/Low	•	•	•	•
Surface Lights — Hi/Low/Off	•	•	•	•
10 Power Levels	•	•	•	•
Touchmatic® Control System	•	•	•	•
Auto Defrost	•	•	•	•
Time Defrost	•	•	•	•
Rapid Defrost (1 Pound)	•	•	•	•
Digital Clock	24-Hour	24-Hour	24-Hour	24-Hour
Kitchen Timer	•	•	•	•
Light Timer	•	•	•	•
Program Cooking Stages	3	3	3	3
More/Less Adjust	•	•	•	•
Easy Cook™ Pad	•	•	•	•
Warm/Hold	•	•	•	•
Cooking Complete Reminder	•	•	•	•
Favorite Recipe	•	•	•	•
Help Pad	•	•	•	•
Control Setup	4-Option	4-Option	4-Option	4-Option
Charcoal Filter	•	•	•	•
Wire Rack		Bilevel	Bilevel	Bilevel
Child Lockout	•	•	•	•
Interior Oven Light	•	•	•	•
Exhaust — Hi/Low/Off	220/110 CFM	220/110 CFM	300/215 CFM	300/215 CFM
Programmed Pads				
Popcorn	•	Sensor	•	Sensor
Potato	•	Sensor	•	Sensor
Pizza	•	Sensor	•	Sensor
Frozen Entrée	•			
Beverage	•			
Vegetable		Sensor		Sensor
Auto Reheat	4-Option		4-Option	
Auto Cook	4-Option		4-Option	
Sensor Cook		3-Option		3-Option
Sensor Reheat		3-Option		3-Option
Product Exterior Dimensions — in. (cm)				
Height	16 7/8 (41.8)	16 7/8 (41.8)	16 7/8 (41.8)	16 7/8 (41.8)
Width	29 5/8 (76.0)	29 5/8 (76.0)	29 5/8 (76.0)	29 5/8 (76.0)
Depth — Oven Door Closed, With Handle	15 3/8 (39.1)	15 3/8 (39.1)	15 3/8 (39.7)	15 3/8 (39.7) 15 (38.1) Stainless Steel
Cabinet Cutout Dimensions — in. (cm)				
Width	30 (76.2) min.	30 (76.2) min.	30 (76.2) min.	30 (76.2) min.
Top Edge From Cooking Surface	30 (76.2) min.	30 (76.2) min.	30 (76.2) min.	30 (76.2) min.
Top Edge From Floor	66 (167.6) min.	66 (167.6) min.	66 (167.6) min.	66 (167.6) min.
Oven Interior Dimensions — in. (cm)				
Height — Turntable In Place, If Applicable	8 3/8 (22.7)	8 3/8 (22.2)	9 7/8 (25.1)	9 7/8 (25.1)
Width	19 1/8 (50.5)	21 1/8 (54.8)	22 1/8 (56.2)	22 1/8 (56.2)
Depth	14 3/8 (36.0)	14 3/8 (36.0)	14 3/8 (36.7)	14 3/8 (36.7)

*Easy Cook™ Function — Each push adds 30 seconds up to 3 1/2 minutes; then each push adds 1 minute up to 99 minutes.

INSTALLATION INFORMATION



- Cutout Dimensions**
- A. Opening Width: 30" (76.2 cm) min.
 - B. Opening Depth: 13" (33 cm) min.
 - C. Counter to Top of Opening: 30" (76.2 cm) min.
 - D. Range Backguard to Bottom of Microwave: 2" (5.1 cm) min.

Refer to installation instructions packaged with unit or consult your local Amana representative before making any cutouts or final designs.



AMANA® RADARANGE® COUNTERTOP MICROWAVE OVENS

MODELS	AMC4080AA	AMC5101AA	AMC5108AA	AMC5143AA	ACM1580AA	ACM2160AA	AMC6138AA
Style	Microwave	Microwave	Three-In-One™ Toaster Microwave	Microwave	Microwave/Convection	Microwave	Microwave/Convection
Colors							
White	•	•	•	•	•	•	•
Bisque				•	•	•	
Black	•	•	•	•	•	•	•
Stainless Steel	•	•		•	•	•	•
Features							
Capacity — cu. ft.	0.8	1.0	1.0	1.4	1.5	2.1	1.3
Wattage	800	1,000	1,000	1,100	1,000	1,100	950
Turntable	•	•	•	•	•	•	•
10 Power Levels	•	•	•	•	•	•	•
Touchmatic® Control System	•	•	•	•	•	•	•
Digital Clock	12-Hour	12-Hour	12-Hour	24-Hour	12-Hour	24-Hour	24-Hour
Sound On/Off	•	•	•	Low/Mid/Hi/Melody/Off	•	•	Low/Mid/Hi/Off
Kitchen Timer	•	•	•	•	•	•	•
Program Cooking Stages			Multi	Multi	•	3	Multi
More/Less Adjust		•	•	•	•	•	•
Easy Cook™ Pad					•	•	
Broil/Top Brown/Bake			•				
Warm			•		•	•	
Preheat			•				•
Speed Cook			•				
Toaster With Toasting Rack (Adjustable Dial)			7 Levels				
Auto Defrost	•	•	•	•	•	•	•
Auto Broil, Roast, Bake							•
Convection/Combination (Roast/Bake)					•		•
Child Lockout			•		•	•	•
Interior Oven Light	•	•	•	•	•	•	•
Cooking Complete Reminder	•	•	•	•	•	•	•
Under-Cabinet Installation	•						
In-Wall Trim Kit				UXA0024AX	AST2780A/ AST3080A	FTK127, FTK130 And UXA0024AX	
Programmed Pads							
Popcorn	•	•	•	Sensor	Sensor	Sensor	•
Potato	•	•	•	Sensor			•
Beverage	•	•					
Pizza	•	•	•	Sensor			
Bacon		•					
Fresh Vegetable	•			Sensor		Sensor	•
Frozen Vegetable				Sensor		Sensor	
Frozen Breakfast				Sensor			
Frozen Dinner	•	•		Sensor		Sensor	•
Handy Helper		3-Option	3-Option	3-Option			
Kids Meals		4-Option	4-Option	4-Option			
Snack Bar		4-Option	4-Option	4-Option			
Diet Cook							•
Auto Reheat		•		Sensor		Sensor	•
Easy Clean			•				
Lbs./Kg Option		•	•	•			•
Product Exterior Dimensions — in. (cm)							
Height	10 13/16 (27.5)	11 23/32 (29.8)	13 9/16 (35.0)	12 5/8 (31.3)	14 1/8 (37.2)	13 9/16 (34.4)	12 23/32 (32.3)
Width	19 1/4 (48.9)	20 23/64 (51.7)	20 51/64 (52.8)	21 5/16 (55.5)	22 5/8 (56.6)	23 3/8 (60.6)	21 29/32 (55.6)
Depth	13 27/32 (35.2)	14 29/32 (37.9)	19 35/64 (49.6)	17 1/2 (43.9)	20 (50.8)	18 13/16 (47.7)	21 29/64 (54.5)
Oven Interior Dimensions — in. (cm)							
Height — Turntable In Place, If Applicable	7 15/16 (20.2)	9 1/8 (23.2)	13 3/8 (34.4)	16 1/8 (40.8)	10 1/8 (27.6)	10 3/8 (26.4)	15 13/16 (39.1)
Width	13 (33.0)	13 55/64 (35.2)	13 17/32 (34.3)	14 3/8 (37.5)	15 1/8 (38.7)	17 1/16 (43.3)	14 1/2 (36.8)
Depth	13 (33.0)	13 11/16 (34.8)	9 1/8 (23.9)	9 13/16 (24.9)	15 1/8 (38.7)	18 5/8 (46.5)	9 3/8 (23.3)

*Easy Cook™ Function — Each push adds 30 seconds up to 3 1/2 minutes; then each push adds 1 minute up to 99 minutes.

See page 60 for trim kit information.

Amana's ongoing commitment to quality products may mean a change in product specifications without notice.

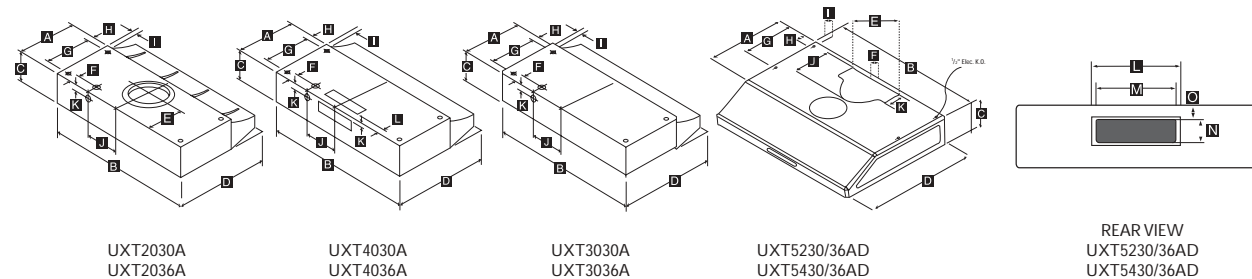


AMANA™ KITCHEN HOODS

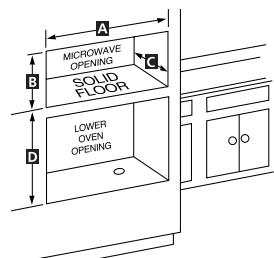
MODELS	UXT2030A UXT2036A	UXT3030A UXT3036A	UXT4030A UXT4036A	UXT5230AD UXT5236AD	UXT5430AD UXT5436AD
Colors					
White	•	•	•	•	•
Bisque	•	•	•	•	•
Black	•	•	•	•	•
Stainless Steel	•	•	•	•	•
Controls					
Electronic Touch Controls					•
Slide Controls				•	
Delayed Shutoff					•
Speed Settings	2	2	2	3	3
Halogen Lighting					•
Incandescent Lighting					•
Lighting Levels	1	1	1	2	2
Ventilation					
Filterless Self-Cleaning Three-Way Convertible Ventilation				•	•
Vertical Ventilation On 7" Round Duct	•				
Vertical Or Horizontal Ventilation					
On 3 1/2" x 10" Duct		•			
Ductless Ventilation With Charcoal Filter			•	Optional*	Optional*
Rating — CFM	190	160	N.A.	300	400

*Order HRECUXT30 for 30" models and HRECUXT36 for 36" models. Order replacement carbon filter HCFLTUXT36 for models UXT5236 and UXT5436 or replacement carbon filter HCFLTUXT30 for models UXT5230 and UXT5430.

INSTALLATION INFORMATION



TRIM KIT INFORMATION



Shown: ACM1580AS With Trim Kit

Trim Kits For Built-In ACM2160AA:

Kits FTK127 W/E/SS in 27" FTK130 W/E/C/SS in 30"

Cutout Dimensions — in. (cm):

A. Width	25 1/2 (64.8)	25 1/2 (64.8)
B. Microwave Height	16 1/4 (42.6)	16 1/4 (42.6)
C. Depth	23 3/4 (60.3)	23 3/4 (60.3)
D. Lower Oven Height	30 3/8 (70.8) min.	30 3/8 (70.8) min.

Trim Kits For Built-In ACM1580AA:

Kits AST2780A B/W/C/S in 27" AST3080A B/W/C/S in 30"

Cutout Dimensions — in. (cm):

A. Width	25 1/2 (64.8)	28 1/2 (72.4)
B. Height	17 1/4 (43.8)	17 1/4 (43.8)
C. Depth	23 3/4 (60.3)	23 3/4 (60.3)
D. Lower Oven Height	30 3/8 (70.8) min.	30 3/8 (70.8) min.

Kitchen Hood Dimensions — in. (cm)

Models	UXT2030A UXT3030A UXT4030A	UXT5230AD UXT5430AD	UXT2036A UXT3036A UXT4036A	UXT5236AD UXT5436AD
A	12 (30.5)	15 1/2 (39.7)	12 (30.5)	15 1/2 (39.7)
B — Width	30 (76.2)	30 (76.2)	36 (91.4)	36 (91.4)
C — Height	6 (15.2)	6 (15.2)	6 (15.2)	6 (15.2)
D — Depth	17 1/2 (44.5)	22 1/2 (56.5)	17 1/2 (44.5)	22 1/2 (56.5)
E	5 1/2 (13.3)	10 1/2 (26.7)	5 1/2 (13.3)	10 1/2 (26.7)
F	2 (5.1)	1/2 (2.2)	2 (5.1)	1/2 (2.2)
G	9 (22.9)	10 1/2 (26.0)	9 (22.9)	10 1/2 (26.0)
H	1 1/2 (3.8)	1 1/2 (4.4)	1 1/2 (3.8)	1 1/2 (4.4)
I	1 (2.5)	1 (2.5)	1 (2.5)	1 (2.5)
J	7 1/2 (19.1)	7 1/2 (18.4)	7 1/2 (19.1)	7 1/2 (18.4)
K	1/2 (1.9)	3 3/8 (8.6)	1/2 (1.9)	3 3/8 (8.6)
L	1 1/2 (3.8)	11 (27.9)	1 1/2 (3.8)	11 (27.9)
M	—	10 (25.4)	—	10 (25.4)
N	—	3 (7.6)	—	3 (7.6)
O	—	1/2 (1.3)	—	1/2 (1.3)
Approximate Shipping Weight — lbs. (kg)	16 (7)	31 (14)	16 (7)	31 (14)

Refer to installation instructions packaged with unit or consult your local Amana representative before making any cutouts or final designs.

All models listed may not be available from every Amana dealer. Because of continuing product improvement, Amana reserves the right to change specifications without notice.



AMANA™ WASHERS

MODELS	NAV2330	NAV3330E	NAV5800	NAV6800	NAV8800E
Color					
White	•	•	•	•	•
Features					
Easy-Grip, Bidirectional Knobs	•	•	•	•	•
Tub Material	Co-Polymer	Co-Polymer	Elustra™ Stainless Steel	Elustra™ Stainless Steel	Elustra™ Stainless Steel
SteadySpin™ Balance System	•	•	•	•	•
Easy-Access™ Opening	•	•	•	•	•
Motor Speeds	2	2	2	2	3
Spin Speed — Max./Min. RPM	640/425	710/475	710/475	710/475	710/475
Water Levels	4	4	4	Variable	Variable
Tri-Wash System	•	•	•	•	•
Tri-Care™ Agitator	•	•	•	•	•
Extra Rinse	•	•	•	•	•
Quick Faucet	•	•	•	•	•
Bleach Dispenser	•	•	•	•	•
Fabric Softener Dispenser	•	•	•	•	•
End-Of-Cycle Signal				Adjustable	Adjustable
SoftSound™ Quiet Package	1	1	1	II	II
Water Temperature Selections	4	6	4	4	6
Automatic Temperature Control		•			•
Self-Cleaning Lint Filter	•	•	•	•	•
Self-Adjusting Rear Leveling Legs	•	•	•	•	•
Seven-Point Suspension System	•	•	•	•	•

Wash Cycles

	Heavy/Normal/Light	Heavy/Normal/Light	Heavy/Normal/Light	Heavy/Normal/Light	Heavy/Normal/Light
Regular	•	•	•	•	•
Regular — Extra Rinse	•	•	•	•	•
No-Iron Fabrics	Normal/Light	Normal/Light	Normal/Light	Normal/Light	Normal/Light
No-Iron Fabrics — Extra Rinse	•	•	•	•	•
Handwash	•	•	•	•	Ultra
Handwash — Extra Rinse	•	•	•	•	•
Quick Wash	•	•	•	•	•

Capacities And Unit Dimensions

	3.2	3.2	3.2	3.2	3.2
Tub Capacity — cu. ft.	3.2	3.2	3.2	3.2	3.2
Overall Height — in. (cm)	43 1/2 (109.9)	43 1/2 (109.9)	43 1/2 (109.9)	43 1/2 (109.9)	43 1/2 (109.9)
Height Of Cabinet — in. (cm)	36 (91.4)	36 (91.4)	36 (91.4)	36 (91.4)	36 (91.4)
Width — in. (cm)	26 1/2 (68.3)	26 1/2 (68.3)	26 1/2 (68.3)	26 1/2 (68.3)	26 1/2 (68.3)
Depth, Including Drain Hose — in. (cm)	29 1/2 (74.9)	29 1/2 (74.9)	29 1/2 (74.9)	29 1/2 (74.9)	29 1/2 (74.9)
Washer Lid Clearance — in. (cm)	17 1/2 (44.5)	17 1/2 (44.5)	17 1/2 (44.5)	17 1/2 (44.5)	17 1/2 (44.5)
Approximate Shipping Weight — lbs. (kg)	193 (87.5)	193 (87.5)	193 (87.5)	193 (87.5)	193 (87.5)

Energy

Electrical Service Requirements	120 VAC, 60 Hz, 15 Amps Max.	120 VAC, 60 Hz, 15 Amps Max.	120 VAC, 60 Hz, 15 Amps Max.	120 VAC, 60 Hz, 15 Amps Max.	120 VAC, 60 Hz, 15 Amps Max.
Motor Horsepower	1/2	1/2	1/2	1/2	1/2
ENERGY STAR®	•	•	•	•	•
2004 Energy-Compliant	•	•	•	•	•

INSTALLATION INFORMATION — IN. (CM)

Amana® Washers

Power Cord Length	69 (175.3)
Electrical Requirements	120 Volts/15 Amps/60 Hz Three-Prong Grounding Plug
Supply Hose Length	48 (121.9)
Drain Hose Length	54 (137.2)
Drain Hose Diameter	1 1/2 (3.2)
Minimum Drain Receptacle Height	36 (91.4)

