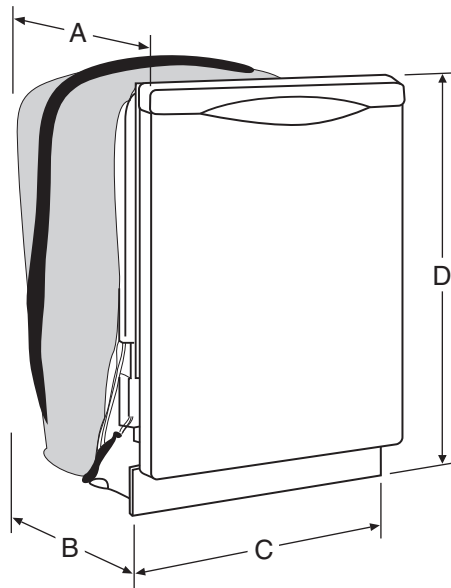
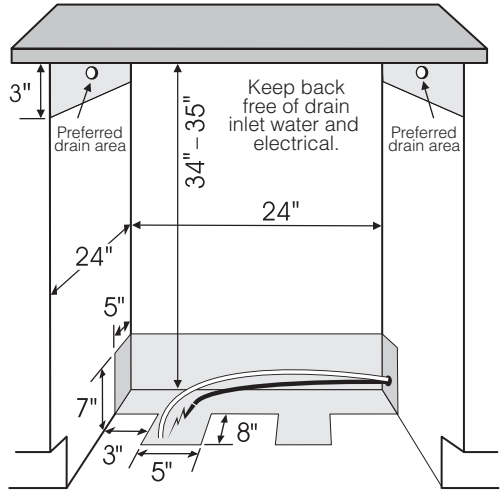




BUILT-IN TALL-TUB DISHWASHER



Style of product may vary from picture

PRODUCT DIMENSIONS

| | INCHES | CENTIMETERS |
|---|---------------|-------------|
| A | 23 7/8 | 60.6 |
| B | 19 1/2 | 49.5 |
| C | 23 7/8 | 60.6 |
| D | 33 1/2-35 1/4 | 85.1-89.5 |

MODEL SKUs

ADB3500AWW

ADB3500AWB

ADB3500AWQ

ADB3500AWS

NOTES:

1. Minimum 32" drain loop, 1/2" inside diameter minimum. Floor drains require a siphon break.
2. Connections preferably located toward left side of dishwasher. Care should be taken to route plumbing away from motor and blower (if equipped).
3. Electrical and plumbing should meet all local and national codes.
4. Electrical and water supplies should enter cabinet opening on the floor, or through the back or side walls, as shown in the shaded area of the drawing.
5. When installing dishwasher in or near a corner, allow enough room for door to open without interfering with cabinet drawers or hardware.

Electrical requirements: Adequately wired individual 120V A/C, 60Hz approved electrical circuit. Use required fuse (15 amp) or comparable circuit breaker.