



AMANA® PRODUCT GUIDE

For the latest product information, visit www.amana.com.



Amana® Product Guide

APRIL 2004



THE ART OF COMMON SENSE™

APRIL 2004

Product Guide Contents

- PRODUCT SPECIFICATIONS 37
- NEW PRODUCT WARRANTIES 40
- REFRIGERATION**
- Side-By-Sides
 - 26 Cu. Ft. 41
 - Cabinet-Depth 22 Cu. Ft. 42
- Easy Reach™ Bottom Freezers
 - Easy Reach™ 43
 - Easy Reach™ Plus 44
 - French Door 45
 - Easy Reach™ Plus Cabinet-Depth 46
- Top Freezers 47
- Freezers
 - Deepfreeze® Upright 48
 - Deepfreeze® Chest 49
- COOKING**
- Freestanding Ranges
 - 5.22 Electric 50
 - 5.22 Gas 51
 - 4.0 Electric And Gas 52
- Slide-In Ranges 53
- Electric Wall Ovens 55
- Cooktops
 - Gas 56
 - Electric 57
- Amana® Radarange® Microwave Ovens
 - Over-The-Range 58
 - Countertop 59
- Kitchen Hoods 60
- LAUNDRY**
- Washers 61
- Dryers 62
- DISHWASHERS** 64



Refrigeration



Models Shown: AFD2535DES (Refrigerator) And AGDS902SS (Range) With Aftermarket Backsplash



ASD2622HRW

Side-By-Side Refrigerators

26 Cu. Ft.

BASE FEATURES

- Temp-Assure® Freshness Design
- Electronic FrontFill™ Dispenser
- PuriClean® II Retractable Water/Ice Filter (750-Gallon/One-Year Capacity)
- Adjustable Spillsaver™ Glass Shelves
- Humidity-Controlled Garden Fresh™ Sealed Crisper Drawer
- Temperature-Controlled Dual Drawer
- Adjustable Fresh Food Gallon Door Buckets
- Dairy Center
- SofSound™ I Quiet Package

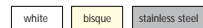
Bolded items indicate step-up features.

As an ENERGY STAR® Partner, Amana has determined that these products meet the ENERGY STAR® guidelines for energy efficiency.



ASD2622HR

- 25.6 Cu. Ft. Capacity
- Three-Button FrontFill™ Dispenser
- 750-Gallon PuriClean® II Retractable Water/Ice Filter
- 3 Adjustable Spillsaver™ Glass Shelves
- **4 Adjustable Fresh Food Gallon Door Buckets**
- 1 Humidity-Controlled Garden Fresh™ Sealed Crisper Drawer
- 1 Slide-Out Freezer Basket
- **4 Adjustable Freezer Door Buckets**
- **3 Lights Each In Fresh Food And Freezer Compartments (6 Total)**
- SofSound™ I Quiet Package



With Stainless-Style Handles



ASD2624HE

- 25.6 Cu. Ft. Capacity
- Three-Button FrontFill™ Dispenser
- 750-Gallon PuriClean® II Retractable Water/Ice Filter
- 3 Adjustable Spillsaver™ Glass Shelves
- 3 Adjustable Fresh Food Gallon Door Buckets
- 1 Humidity-Controlled Garden Fresh™ Sealed Crisper Drawer
- **1 Snack Drawer**
- **Temperature-Controlled MiniChiller™ Compartment**
- 1 Slide-Out Freezer Basket
- 4 Adjustable Freezer Door Buckets
- 3 Lights Each In Fresh Food And Freezer Compartments (6 Total)
- SofSound™ I Quiet Package



With Stainless-Style Handles



ASD2626HE

- 25.6 Cu. Ft. Capacity
- **Electronic Temp-Assure® Freshness Design**
- **Five-Button FrontFill™ Dispenser With: Child Lock**
- **Auto Night Light**
- 750-Gallon PuriClean® II Retractable Water/Ice Filter
- 3 Adjustable Spillsaver™ Glass Shelves
- 2 Adjustable Fresh Food Gallon Door Buckets
- **2 Humidity-Controlled Garden Fresh™ Sealed Crisper Drawers**
- **Temperature-Controlled Beverage Chiller™ Compartment**
- **1 Tilt-Out Door Bin**
- **Tall Bottle Retainer**
- 1 Slide-Out Freezer Basket
- 4 Adjustable Freezer Door Buckets
- 3 Lights Each In Fresh Food And Freezer Compartments (6 Total)
- **EasyView™ Lighting Package**
- SofSound™ I Quiet Package
- **Exceeds 2004 Federal Energy-Efficiency Standards By 20%**



With Stainless-Style Handles



ASD2628HE

- 25.6 Cu. Ft. Capacity
- Electronic Temp-Assure® Freshness Design
- **Five-Button FrontFill™ Dispenser With: Child Lock**
- **Auto Night Light**
- 750-Gallon PuriClean® II Retractable Water/Ice Filter
- 3 Adjustable Spillsaver™ Glass Shelves
- 2 Adjustable Fresh Food Gallon Door Buckets
- **Bucket Grip Pads**
- 2 Humidity-Controlled Garden Fresh™ Sealed Crisper Drawers
- **Temperature-Controlled Beverage Chiller™ Compartment**
- **Temperature-Controlled MiniChiller™ Compartment**
- 1 Tilt-Out Door Bin
- Tall Bottle Retainer
- **2 Fully Extendable Freezer Baskets**
- **2 Adjustable Freezer Door Buckets**
- **3 Freezer Door Tilt-Out Bins**
- 3 Lights Each In Fresh Food And Freezer Compartments (6 Total)
- **EasyView™ Lighting Package**
- **SofSound™ II Quiet Package**
- Exceeds 2004 Federal Energy-Efficiency Standards By 20%



With Stainless-Style Handles

NON-WATER DISPENSING



ASB2623HR

- 25.6 Cu. Ft. Capacity
- 3 Adjustable Spillsaver™ Glass Shelves
- 2 Adjustable Fresh Food Gallon Door Buckets
- 2 Humidity-Controlled Garden Fresh™ Sealed Crisper Drawers
- **Temperature-Controlled Beverage Chiller™ Compartment**
- 1 Tilt-Out Door Bin
- 2 Slide-Out Freezer Baskets
- 2 Adjustable Freezer Door Buckets
- 3 Freezer Door Tilt-Out Bins
- 3 Lights In Fresh Food Compartment/2 In Freezer Compartment (5 Total)
- **Optional Factory-Installed Ice Maker Kit Available**
- SofSound™ I Quiet Package





ACD2234HRS

Side-By-Side Cabinet-Depth Refrigerators

22 Cu. Ft.

BASE FEATURES

- Temp-Assure® Freshness Design
- Five-Button FrontFill™ Dispenser With: Child Lock, Filter Status Indicator, Auto Night Light
- PuriClean® II Retractable Water/Ice Filter (750-Gallon/One-Year Capacity)
- Temperature-Controlled Beverage Chiller™ And MiniChiller™ Compartments
- 3 Adjustable Spillsaver™ Glass Shelves
- Framed Humidity-Controlled Garden Fresh™ Crisper Drawers
- Framed Temperature-Controlled Deli Drawer
- Clear Adjustable Fresh Food Gallon Door Buckets
- Dairy Center
- Slide-Out Wire Freezer Baskets
- Tilt-Out Freezer Door Buckets
- SofSound™ I Quiet Package
- 3 Lights Each In Fresh Food And Freezer Compartments (6 Total)

Bolded items indicate step-up features.



ACD2234HR

- 21.6 Cu. Ft. Capacity
- **Freestanding Cabinet-Depth**



ACD2238HTS

- 21.6 Cu. Ft. Capacity
- Freestanding Cabinet-Depth
- **Hidden Hinges With Built-In-Style Door**
- **Factory-Applied Stainless Steel Door Panels**
- **Full-Length Extruded Handles**



With Black Cabinet And Stainless Steel Panels



ABB1921DEW

Easy Reach™ Refrigerators

BASE FEATURES

- Temp-Assure® Freshness Design
- Adjustable Glass Shelves
- Gallon Door Storage
- 4 Adjustable Fresh Food Door Buckets
- Glide-Out Wire Freezer Basket
- Clear Deli Drawer
- Dairy Center
- EasyView™ Lighting Package
- SofSound™ I Quiet Package

Bolded items indicate step-up features.



As an ENERGY STAR® Partner, Amana has determined that these products meet the ENERGY STAR® guidelines for energy efficiency.



ABB1921DE

- 18.5 Cu. Ft. Capacity
- Fits 30"-Wide Opening
- 2 Clear Humidity-Controlled Garden Fresh™ Crisper Drawers
- 3 Adjustable Glass Shelves
- SofSound™ I Quiet Package



ABB192ZDE

- 18.5 Cu. Ft. Capacity
- Fits 30"-Wide Opening
- **Electronic Temp-Assure® Freshness Design**
- **4 Adjustable Spillsaver™ Glass Shelves**
- **Beverage Organizer™ Rack**
- **Slide-Out Wire Freezer Shelf**
- **Ice Service Rack**
- **SofSound™ II Quiet Package**



With Stainless-Style Handles



ABB2223DE

- 21.9 Cu. Ft. Capacity
- Fits 33"-Wide Opening
- **Electronic Temp-Assure® Freshness Design**
- 3 Adjustable Glass Shelves
- Ice Service Rack
- SofSound™ I Quiet Package



With Stainless-Style Handles

ABB222ZDE (NOT PICTURED)

Same features and colors as ABB192ZDE with 21.9 cu. ft. capacity and fits in 33"-wide cabinet opening.



ABB1924DES

Easy Reach™ Plus Refrigerators

BASE FEATURES

- Electronic Temp-Assure® Freshness Design With Upfront Touch-Pad Controls
- EasyFreezer™ Pull-Out Drawer With EasyClose™ Drawer Track System
- 4 Half-Width Adjustable Spillsaver™ Glass Shelves
- EasyGlide™ Shelves
- 2 Humidity-Controlled Garden Fresh™ Sealed Crisper Drawers
- Gallon Door Storage
- Clear Adjustable Fresh Food Door Buckets
- Slide-Out Upper Freezer Basket
- Glide-Out Wire Freezer Basket With QuickSplit™ Organizer
- Dairy Center
- EasyView™ Lighting Package
- SofSound™ II Quiet Package

Bolded items indicate step-up features.

As an ENERGY STAR® Partner, Amana has determined that these products meet the ENERGY STAR® guidelines for energy efficiency.



ABB2224DE

- 21.9 Cu. Ft. Capacity
- Fits 33"-Wide Opening
- 2 EasyGlide™ Shelves
- 5 Clear Adjustable Fresh Food Door Buckets
- **Beverage Organizer™ Rack**
- SofSound™ II Quiet Package



With Stainless-Style Handles

ABB1924DE , ABB2524DE (NOT PICTURED) Similar features and colors as ABB2224DE. ABB1924DE has 18.5 cu. ft. capacity and fits in 30"-wide cabinet opening. ABB2524DE has 25.1 cu. ft. capacity and fits in 36"-wide cabinet opening.



ABB2227DE

- 21.9 Cu. Ft. Capacity
- Fits 33"-Wide Opening
- 2 EasyGlide™ Shelves
- 5 Clear Adjustable Fresh Food Door Buckets
- **Temperature-Controlled Chef's Pantry™ With Divider**
- **Bucket Grip Pads**
- **Bottle Caddy**
- **Stylish Framed Drawers**
- Beverage Organizer™ Rack
- SofSound™ II Quiet Package



With Stainless-Style Handles

ABB1927DE , ABB2527DE (NOT PICTURED) Similar features as ABB2227DE. ABB1927DE has 18.5 cu. ft. capacity and fits in 30"-wide cabinet opening. ABB2527DE has 25.1 cu. ft. capacity and fits in 36"-wide cabinet opening.



ABD2233DE

- 22.1 Cu. Ft. Capacity
- Fits 33"-Wide Opening
- 2 EasyGlide™ Shelves
- **EasyFill™ Internal Water Dispenser**
- **PuriClean® II Retractable Water/Ice Filter (750-Gallon/One-Year Capacity)**
- **Temperature-Controlled Beverage Chiller™**
- **Temperature-Controlled Chef's Pantry™ With Divider**
- 5 Clear Adjustable Fresh Food Door Buckets
- Bucket Grip Pads
- Bottle Caddy
- Stylish Framed Drawers
- **Icemaker And Ice Bucket**
- SofSound™ II Quiet Package



With Stainless-Style Handles

ABD2533DE (NOT PICTURED) Similar features and colors as ABD2233DE with 25.1 cu. ft. capacity and fits in 36"-wide cabinet opening.



AFD2535DES

French Door Bottom-Freezer Refrigerator

BASE FEATURES

- Electronic Temp-Assure® Freshness Design With Upfront Touch-Pad Controls
- Twin Fresh Food Doors
- EasyFreezer™ Pull-Out Drawer With EasyClose™ Drawer Track System
- 4 Half-Width Adjustable Spillsaver™ Glass Shelves
- EasyGlide™ Shelves
- 2 Humidity-Controlled Garden Fresh™ Sealed Crisper Drawers
- Gallon Door Storage
- Clear Adjustable Fresh Food Door Buckets
- Slide-Out Upper Freezer Basket
- Glide-Out Wire Freezer Basket With QuickSplit™ Organizer
- Dairy Center
- EasyView™ Lighting Package
- SofSound™ II Quiet Package

Bolded items indicate step-up features.

As an ENERGY STAR® Partner, Amana has determined that this product meets the ENERGY STAR® guidelines for energy efficiency.



(Available June 2004)

AFD2535DE

- 24.8 Cu. Ft. Capacity
- Fits 36"-Wide Opening
- 4 EasyGlide™ Shelves
- Electronic Temp-Assure® Freshness Design
- **EasyFill™ Internal Water Dispenser**
- **PuriClean® II Retractable Water/Ice Filter (750-Gallon/One-Year Capacity)**
- **Temperature-Controlled Chef's Pantry™ With Divider And Self-Opening Lid**
- 5 Clear Adjustable Fresh Food Door Buckets
- Bucket Grip Pads
- Bottle Caddy
- Stylish Framed Drawers
- **Icemaker And Ice Bucket**
- SofSound™ II Quiet Package



With Stainless-Style Handles



ABC2037DES



ABC2037DE

- 20.3 Cu. Ft. Capacity
- Freestanding Cabinet-Depth
- Stainless-Style Designer Bar Handles



With Black Cabinet And Stainless Steel Door



Easy Reach™ Plus Cabinet-Depth Refrigerators

BASE FEATURES

- Electronic Temp-Assure® Freshness Design With Upfront Touch-Pad Controls
- EasyFreezer™ Pull-Out Drawer With EasyClose™ Drawer Track System
- EasyFill™ Internal Filtered Water Dispenser
- PuriClean® II Retractable Water/Ice Filter (750-Gallon/One-Year Capacity)
- Temperature-Controlled Beverage Chiller™ Compartment
- 4 Half-Width Adjustable Spillsaver™ Glass Shelves, 4 EasyGlide™ Shelves
- Temperature-Controlled Chef's Pantry™ Drawer With Self-Opening Lid
- 2 Humidity-Controlled Garden Fresh™ Sealed Crisper Drawers
- Clear Adjustable Fresh Food Door Buckets
- Bucket Grip Pads
- Slide-Out Upper Freezer Basket
- Glide-Out Wire Freezer Basket With QuickSplit™ Organizer
- Factory-Installed Icemaker
- Bottle Caddy
- EasyView™ Lighting Package
- SofSound™ II Quiet Package

Bolded items indicate step-up features.



ABC2037DT

- 20.3 Cu. Ft. Capacity
- **Built-In Look Cabinet-Depth**
- **Color-Coordinated Door Trim And Full-Length Handles**
- **Requires Custom Panels**



With Stainless Steel Trim

Interior same as ABC2037DP

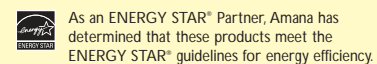


ABC2037DP

- 20.3 Cu. Ft. Capacity
- **Built-In Look Cabinet-Depth**
- **Color-Coordinated Door Trim And Full-Length Handles**
- **Factory-Installed Stainless Steel Panels**



With Black Cabinet, Stainless-Look Trim, Stainless Style Full-Length Handles And Factory-Installed Stainless Steel Panels



For additional feature information, see specifications chart on page 46.



ATB1935HRW

Top-Freezer Refrigerators

BASE FEATURES

- 2 Humidity-Controlled Garden Fresh™ Crisper Drawers
- Glass Crisper Top
- Gallon Door Buckets
- Dairy Center
- 2 Freezer Door Shelves
- Adjustable Freezer Shelf
- Freezer Light

Bolded items indicate step-up features.



ATB1504AR

- 15.0 Cu. Ft. Capacity
- Fits 28"-Wide Opening
- Integrated Handles
- Glass Shelves



ATB1935HR

- 19.0 Cu. Ft. Capacity
- Fits 30"-Wide Opening
- Adjustable Gallon Door Buckets
- Temp-Assure® Control System
- 4 Adjustable Spillsaver™ Glass Shelves
- Temperature-Controlled Adjustable Snack Drawer



ATB2135HR (NOT PICTURED)

Same features as ATB1935HR with 21.0 cu. ft. capacity and 33"-wide cabinet opening.



ATB1915HR

- 18.5 Cu. Ft. Capacity
- Fits 30"-Wide Opening
- 1 Full-Width, 2 Split Glass Shelves
- Clear Snack Drawer
- **Adjustable Gallon Door Buckets**



ATB2115HR (NOT PICTURED)

Same features and colors as ATB1915HR with 20.8 cu. ft. capacity and 33"-wide cabinet opening.

For additional feature information, see specifications chart on page 47.



Deepfreeze® Upright Freezers

BASE FEATURES

- Textured-Steel Cabinet And Door
- Magna-Seal™ Door Gasket
- Energy-Efficient Foam Insulation
- 2 Front Leveling Legs
- Smooth Rust- And Impact-Resistant Liner
- Adjustable Temperature Control
- Epoxy-Coated Wire Shelves
- Stor-Mor™ Door Shelves
- Monochromatic Styling
- Food-Loss Warranty

Bolded items indicate step-up features.



As an ENERGY STAR® Partner, Amana has determined that this product meets the ENERGY STAR® guidelines for energy efficiency.



AFU2067BW

AFU1202BW (NOT PICTURED)

- 11.8 Cu. Ft. Storage Capacity
- Manual Defrost
- 3 Fixed Epoxy-Coated Wire Shelves
- 5 Stor-Mor™ Door Shelves
- Drop-Down Bulk Storage Gate
- Recessed Handle
- Defrost Drain
- \$300 Total Maximum Food-Loss Warranty

white

AQU1525AEW (NOT PICTURED)

- 15.2 Cu. Ft. Storage Capacity
- Manual Defrost
- 3 Epoxy-Coated Wire Shelves
- **4 Stor-Mor™ Door Shelves**
- Interior Light
- Lock With Pop-Out Key
- Drop-Down Bulk Storage Gate
- **Fast-Freeze Settings**
- Recessed Handle
- Defrost Drain
- \$300 Total Maximum Food-Loss Warranty

white



AFU1705BW (NOT PICTURED)

- 16.8 Cu. Ft. Storage Capacity
- Manual Defrost
- 3 Epoxy-Coated Wire Shelves
- **5 Stor-Mor™ Door Shelves**
- Interior Light
- Lock With Pop-Out Key
- **Adjustable Storage Basket**
- Fast-Freeze Settings
- **Full Handle**
- Defrost Drain
- \$400 Total Maximum Food-Loss Warranty

white

AFU2005BW (NOT PICTURED)

- 19.6 Cu. Ft. Storage Capacity
- Manual Defrost
- **4 Fixed Epoxy-Coated Wire Shelves**
- **6 Stor-Mor™ Door Shelves**
- Interior Light
- Lock With Pop-Out Key
- Adjustable Storage Basket
- Fast-Freeze Settings
- Full Handle
- **Commercially Rated For Residential Use**
- Defrost Drain
- \$400 Total Maximum Food-Loss Warranty

white

AFU1567BW (NOT PICTURED)

- 15.0 Cu. Ft. Storage Capacity
- **Free-O-Frost™ Design**
- **3 Slide-Out Removable Epoxy-Coated Wire Shelves**
- 4 Stor-Mor™ Door Shelves
- **Power Light**
- Interior Light
- Lock With Pop-Out Key
- Drop-Down Bulk Storage Gate
- Fast-Freeze Settings
- Full Handle
- Commercially Rated For Residential Use
- \$300 Total Maximum Food-Loss Warranty

white

AFU1767BW (NOT PICTURED)

- 16.8 Cu. Ft. Storage Capacity
- Free-O-Frost™ Design
- **4 Slide-Out Removable Epoxy-Coated Wire Shelves**
- **5 Stor-Mor™ Door Shelves**
- Power Light
- **Interior Light**
- Lock With Pop-Out Key
- **Adjustable Storage Basket**
- Fast-Freeze Settings
- Full Handle
- Commercially Rated For Residential Use
- \$400 Total Maximum Food-Loss Warranty

white

AFU2067BW

- 19.6 Cu. Ft. Storage Capacity
- Free-O-Frost™ Design
- 4 Slide-Out Removable Epoxy-Coated Wire Shelves
- **6 Stor-Mor™ Door Shelves**
- Power Light
- Interior Light
- Lock With Pop-Out Key
- Adjustable Storage Basket
- Fast-Freeze Settings
- **Temperature Alarm System**
- Full Handle
- Commercially Rated For Residential Use
- \$400 Total Maximum Food-Loss Warranty

white

Deepfreeze® Chest Freezers

BASE FEATURES

- EvenFreeze™ Food Preservation System
- Textured-Steel Cabinet And Lid
- Counterbalanced Lid
- Energy-Efficient Lid Gasket
- Energy-Efficient Foam Insulation
- Smooth Rust- And Impact-Resistant Liner
- Adjustable Temperature Control
- Adjustable Basket
- Defrost Drain (Select Models)
- Monochromatic Styling
- Grip Handle
- Food-Loss Warranty

Bolded items indicate step-up features.



As an ENERGY STAR® Partner, Amana has determined that this product meets the ENERGY STAR® guidelines for energy efficiency.



AFC0507BW

AFC0503BW (NOT PICTURED)

- 4.6 Cu. Ft. Storage Capacity
- 145 Pounds Frozen Food Storage
- **Easy Find™ Storage Drawer**
- Adjustable Storage Basket
- **Lock With Pop-Out Key**
- **Fast-Freeze Settings**
- **Power Light**
- \$200 Total Maximum Food-Loss Warranty

white



AFC2207BW

AFC0703BW (NOT PICTURED)

- 5.0 Cu. Ft. Storage Capacity
- 150 Pounds Frozen Food Storage
- Adjustable Storage Basket
- **Power Light**
- \$200 Total Maximum Food-Loss Warranty

white

AFC0703BW (NOT PICTURED)

- 7.0 Cu. Ft. Storage Capacity
- 210 Pounds Frozen Food Storage
- Adjustable Storage Basket
- **Lock With Pop-Out Key**
- Power Light
- \$200 Total Maximum Food-Loss Warranty

white

AFC1005BW (NOT PICTURED)

- 10.0 Cu. Ft. Storage Capacity
- 315 Pounds Frozen Food Storage
- **2 Adjustable Storage Baskets**
- **1 Basket Storage Level**
- Lock With Pop-Out Key
- Power Light
- \$300 Total Maximum Food-Loss Warranty

white

AQC1526AEW (NOT PICTURED)

- 14.8 Cu. Ft. Storage Capacity
- 410 Pounds Frozen Food Storage
- 2 Adjustable Storage Baskets
- **Interior Light**
- 1 Basket Storage Level
- Lock With Pop-Out Key
- **Fast-Freeze Settings**
- **Commercially Rated For Residential Use**
- \$300 Total Maximum Food-Loss Warranty

white



AFC2207BW

- 21.7 Cu. Ft. Storage Capacity
- 545 Pounds Frozen Food Storage
- **4 Adjustable Storage Baskets**
- **2 Basket Storage Levels**
- Interior Light
- Lock With Pop-Out Key
- **Power Light**
- Commercially Rated For Residential Use
- \$400 Total Maximum Food-Loss Warranty

white

For additional feature information, see specifications chart on page 49.



AMANA® SIDE-BY-SIDE 26 CU. FT. REFRIGERATORS

NEW PRODUCT WARRANTIES

Side-By-Sides

30 Days	Limited	Water filter; parts only.
1st Year	Full	All parts and labor.
2nd – 5th Years	Limited	Sealed-system parts and labor. Repair free of charge any defective food liner in lieu of replacement.

Easy Reach™ Plus Bottom Freezers

30 Days	Limited	Water filter; parts only.
1st Year	Full	All parts and labor.
2nd – 5th Years	Full	Sealed-system parts and labor. Repair free of charge any defective food liner in lieu of replacement.

Top And Bottom Freezers

1st Year	Full	All parts and labor.
2nd – 5th Years	Full	Sealed-system parts and labor. Repair free of charge any defective food liner in lieu of replacement.

Chest And Upright Freezers

1st Year	Full	All parts and labor.
2nd – 10th Years	Full	Sealed-system parts and labor.

Gas Ranges And Cooktops

1st Year	Full	All parts and labor.
----------	------	----------------------

Electric Ranges And Cooktops

1st Year	Full	All parts and labor.
2nd – 5th Years	Limited	Glass-ceramic cooktop due to thermal breakage, discoloration, rubber seal cracking, radiant elements burning out and cooktop pattern wear-off; parts only.

Electric Wall Ovens

1st Year	Full	All parts and labor.
2nd – 5th Years	Limited	Electronic control and electric elements; parts only.

Countertop Microwave Ovens

1st Year	Carry-In	All parts and labor.
2nd – 5th Years	Carry-In	Magnetron tube and touch-pad and microprocessor controls; parts only.

Over-The-Range Microwave Ovens

1st Year	Full	All parts and labor.
2nd – 5th Years	Full	Magnetron tube; parts and labor.

Kitchen Hoods

1st Year	Full	All parts and labor.
----------	------	----------------------

Washers

1st Year	Full	All parts and labor.
2nd Year	Limited	Parts only.
3rd – 5th Years	Limited	Motor; parts only.
3rd – 10th Years	Limited	Cabinet rust-through, outer basket and transmission; parts only.
Lifetime	Limited	Inner basket; parts only.

Dryers

1st Year	Full	All parts and labor.
2nd Year	Limited	Parts only.
3rd – 5th Years	Limited	Motor; parts only.
3rd – 10th Years	Limited	Cabinet rust-through; parts only.
Lifetime	Limited	Stainless steel cylinder; parts only.

Dishwashers

(ADB1200 and ADB2200)		
1st Year	Full	All parts and labor.
5th Year	Limited	Free replacement parts for the Tri-Wash system, including the power module assembly, turbidity sensor, internal water manifold, wash arms, motors, controls and nylon-coated racks. Free replacement parts for the front decorator panel for failure due to rust-through.
Lifetime	Limited	Free replacement parts and labor for the door liner for any failure due to leaks. Free product replacement for any failure due to leaks of the tub.
(DDW361)		
1st Year	Full	All parts and labor.
20th Year	Limited	Free replacement parts and labor for the door liner for any failure due to leaks. Free product replacement for any failure due to leaks of the tub.

MODELS	ASD2622HR	ASD2624HE	ASD2626HE	ASD2628HE	ASB2623HR
Colors					
White	•	•	•	•	•
Bisque	•	•	•	•	•
Black		•	•		
Stainless Steel Door With Stainless-Style Handles	•	•	•	•	
ENERGY STAR®		•	•	•	
Exceeds 2004 Energy-Efficient Standards By 20%		•	•	•	
Fresh Food Interior					
Lights	3	3	3	3	3
Temp-Assure® Freshness Design	•	•	Electronic	Electronic	•
PuriClean® II Retractable Water/Ice Filter	750-Gallon	750-Gallon	750-Gallon	750-Gallon	
Temperature-Controlled Beverage Chiller™ Compartment			•	•	•
Temperature-Controlled MiniChiller™ Compartment		•		•	
Adjustable Spillsaver™ Glass Shelves	3	3	3	3	3
Snack Drawer		•			
Humidity-Controlled Garden Fresh™ Sealed Crisper Drawer	•	•	2	2	2
Temperature-Controlled Dual Drawer	•	•	•	•	•
Dairy Center	•	•	•	•	•
Adjustable Gallon Door Buckets	4	3	2	2	2
Tilt-Out Door Bin			•	•	•
Tall Bottle Retainer			•	•	
Bucket Grip Pads				•	
Freezer Interior					
Lights	3	3	3	3	2
Wire Shelves	2	2	2	1	2
Freezer Baskets	1	1	1	2	2
Adjustable Door Buckets	4	4	4	1	2
Tilt-Out Door Bins				3	3
Dispenser					
Electronic FrontFill™ Dispenser	Three-Button	Three-Button	Five-Button	Five-Button	
Auto Night Light			•	•	
Child Lock			•	•	
General Features					
SoSound™ Quiet Package	I	I	I	II	I
EasyView™ Lighting Package			•	•	
Capacities And Unit Dimensions					
Kitchen Cabinet Opening — in. (cm)	36 (91.4)	36 (91.4)	36 (91.4)	36 (91.4)	36 (91.4)
Top/Back Air Clearance — in. (cm)	½ (1.3)/½ (1.3)	½ (1.3)/½ (1.3)	½ (1.3)/½ (1.3)	½ (1.3)/½ (1.3)	½ (1.3)/½ (1.3)
Total Refrigerator Capacity — cu. ft. (cu. m)	25.6 (0.72)	25.6 (0.72)	25.6 (0.72)	25.6 (0.72)	25.6 (0.72)
Fresh Food Capacity — cu. ft. (cu. m)	15.8 (0.45)	15.8 (0.45)	15.8 (0.45)	15.8 (0.45)	15.8 (0.45)
Frozen Food Capacity — cu. ft. (cu. m)	9.8 (0.28)	9.8 (0.28)	9.8 (0.28)	9.8 (0.28)	9.6 (0.27)
A — Cabinet Height With Hinge Cover — in. (cm)	70 (177.8)	70 (177.8)	70 (177.8)	70 (177.8)	70 (177.8)
B — Cabinet Height Without Hinge — in. (cm)	68 ½ (174)	68 ½ (174)	68 ½ (174)	68 ½ (174)	68 ½ (174)
C — Cabinet Depth With Door Handle — in. (cm)	33 ¼ (84.5)	33 ¼ (84.5)	33 ¼ (84.5)	33 ¼ (84.5)	33 ¼ (84.5)
D — Cabinet Depth Without Door — in. (cm)	28 (71.1)	28 (71.1)	28 (71.1)	28 (71.1)	28 (71.1)
E — Cabinet Depth Without Door Handle — in. (cm)	30 ¾ (78.1)	30 ¾ (78.1)	30 ¾ (78.1)	30 ¾ (78.1)	30 ¾ (78.1)
F — Cabinet Width — in. (cm)	35 ¾ (90.5)	35 ¾ (90.5)	35 ¾ (90.5)	35 ¾ (90.5)	35 ¾ (90.5)
G — Depth With Door @ 90° — in. (cm)	49 ½ (125.7)	49 ½ (125.7)	49 ½ (125.7)	49 ½ (125.7)	49 ½ (125.7)
H — Water Line Location, Facing Back Of Unit & Distance From Right Side — in. (cm)	29 ½ (74.9)	29 ½ (74.9)	29 ½ (74.9)	29 ½ (74.9)	29 ½ (74.9)
I — Water Line Location, From Bottom — in. (cm)	7 (17.8)	7 (17.8)	7 (17.8)	7 (17.8)	7 (17.8)
J — Power Cord Location, Facing Back Of Unit & Distance From Right Side — in. (cm)	15 ½ (39.4)	15 ½ (39.4)	15 ½ (39.4)	15 ½ (39.4)	15 ½ (39.4)
K — Power Cord Location, From Bottom — in. (cm)	9 ½ (24.1)	9 ½ (24.1)	9 ½ (24.1)	9 ½ (24.1)	9 ½ (24.1)
L — Side Wall Clearance For 90° Door Opening — in. (cm)	2 ½ (6.4)	2 ½ (6.4)	2 ½ (6.4)	2 ½ (6.4)	2 ½ (6.4)
Approximate Shipping Weight — lbs. (kg)	343 (155.6)	343 (155.6)	343 (155.6)	343 (155.6)	343 (155.6)



AMANA® SIDE-BY-SIDE CABINET-DEPTH REFRIGERATORS

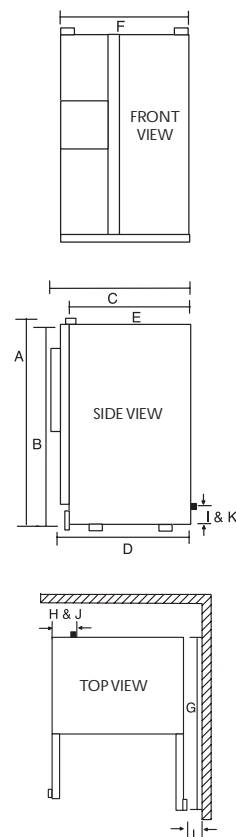
MODELS	ACD2238HTS	ACD2234HR
Colors		
White		•
Bisque		•
Black		•
Stainless Steel	Stainless Steel Panels	•
Fresh Food Interior		
Lights (3)	•	•
Temp-Assure® Freshness Design	•	•
PuriClean® II Retractable Water/Ice Filter (750-Gallon Capacity)	•	•
Temperature-Controlled Beverage Chiller™ Compartment	•	•
Temperature-Controlled MiniChiller™ Compartment	•	•
Adjustable Spillsaver™ Glass Shelves	3	3
Humidity-Controlled Garden Fresh™ Crisper Drawers (2)	Framed	Framed
Temperature-Controlled Deli Drawer	Framed	Framed
Dairy Center	•	•
Adjustable Clear Door Buckets	2	2
Freezer Interior		
Lights (3)	•	•
Wire Shelves	2	2
Adjustable Door Bucket	1	1
Adjustable Tilt-Out Door Buckets	3	3
Slide-Out Wire Baskets	2	2
Dispenser		
Five-Button Electronic FrontFill™ Dispenser With: Auto Night Light, Child Lock And Filter Status Indicator	•	•
General Features		
SofSound™ I Quiet Package	•	•

Capacities And Unit Dimensions		
Kitchen Cabinet Opening — in. (cm)	36 (91.4)	36 (91.4)
Top/Back Clearance — in. (cm)	½ (1.3)/½ (1.3)	½ (1.3)/½ (1.3)
Total Refrigerator Capacity — cu. ft. (cu. m)	21.6 (0.61)	21.6 (0.61)
Fresh Food Capacity — cu. ft. (cu. m)	13.6 (0.38)	13.6 (0.38)
Frozen Food Capacity — cu. ft. (cu. m)	8.0 (0.23)	8.0 (0.23)
A — Cabinet Height With Hinge Cover — in. (cm)	70 (177.8)*	70 (177.8)
B — Cabinet Height Without Hinge — in. (cm)	68 ½ (174)	68 ½ (174)
C — Cabinet Depth With Door Handle — in. (cm)	28 ½ (72.4)	29 ¼ (74.3)
D — Cabinet Depth Without Door Handle — in. (cm)	27 ½ (68.9)	26 ¾ (67.9)
E — Cabinet Depth Without Door — in. (cm)	24 (60.9)	24 (60.9)
F — Cabinet Width — in. (cm)	39 ¼ (99.7)	35 ¾ (90.5)
G — Depth With Door @ 90° — in. (cm)	45 ¾ (115.9)	45 ½ (115.6)
H — Water Line Location, Facing Back Of Unit & Distance From Right Side — in. (cm)	29 ½ (74.9)	29 ½ (74.9)
I — Water Line Location, From Bottom — in. (cm)	7 (17.8)	7 (17.8)
J — Power Cord Location, Facing Back Of Unit & Distance From Right Side — in. (cm)	15 ½ (39.4)	15 ½ (39.4)
K — Power Cord Location, From Bottom — in. (cm)	9 ½ (24.1)	9 ½ (24.1)
L — Side Wall Clearance For 90° Door Opening — in. (cm)	1 ½ (3.8)	2 ¼ (6.4)
Approximate Shipping Weight — lbs. (kg)	300 (136.1)	300 (136.1)

*The height of the door to the top of the trim for model ACD2238HTS is 70 ¼" (178.1 cm).

Replacing the stainless steel panels on ACD2238HTS with custom panels results in the following measurements:

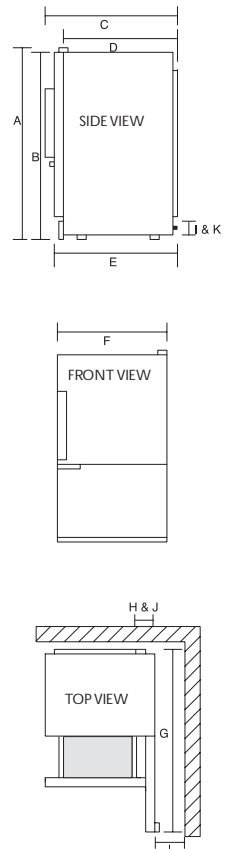
	Panel Height	Panel Width	Weight Limitations: Fresh Food Panels: Should not weigh more than 30 lbs. (14 kg) each. Freezer Panels: Should not weigh more than 15 lbs. (7 kg) each.
Fresh Food Door — in. (cm)	66 ¾ (169.5)	18 ½ (48.1)	
Ice And Water Upper Freezer Door — in. (cm)	18 ½ (46.0)	13 ½ (35.4)	
Ice And Water Lower Freezer Door — in. (cm)	32 ½ (81.5)	13 ½ (35.4)	



AMANA® EASY REACH™ REFRIGERATORS

MODELS	ABB1921DE	ABB192ZDE	ABB222ZDE	ABB2223DE
Colors				
White	•	•	•	•
Bisque	•	•	•	•
Black	•	•	•	•
Stainless Steel Door With Stainless-Style Handles	•	•	•	•
ENERGY STAR®	•	•	•	•
Fresh Food Interior				
Covered Lights	2	2	2	2
Temp-Assure® Freshness Design	•	Electronic	Electronic	Electronic
Adjustable Glass Shelves	3	4 Spillsaver™	4 Spillsaver™	3
Clear Deli Drawer	•	•	•	•
Clear Humidity-Controlled Garden Fresh™ Crisper Drawers	2	2	2	•
Dairy Center	•	•	•	•
Gallon Door Storage	•	•	•	•
Adjustable Door Buckets	4	4	4	4
FreshNest™ Covered Egg Storage	•	•	•	•
Beverage Organizer™ Rack	•	•	•	•
Freezer Interior				
Covered Light	•	•	•	•
Wire Shelf	•	Slide-Out	Slide-Out	•
Door Shelf (Plastic)	•	•	•	•
Glide-Out Wire Basket	•	•	•	•
Ice Cube Trays And Ice Bucket	•	•	•	•
Ice Service Rack	•	•	•	•
Optional IceMaker	IC11B	IC11B	IC11B	IC11B
General Features				
SofSound™ Quiet Package	I	II	II	I
EasyView™ Lighting Package	•	•	•	•
Consumer-Reversible Door Swing	•	•	•	•

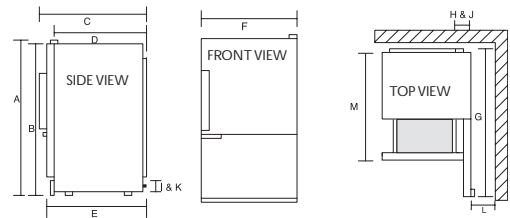
Capacities And Unit Dimensions				
Kitchen Cabinet Opening — in. (cm)	30 (7.6)	30 (7.6)	33 (83.8)	33 (83.8)
Top/Back Air Clearance — in. (cm)	½ (1.3)/½ (1.3)	½ (1.3)/½ (1.3)	½ (1.3)/½ (1.3)	½ (1.3)/½ (1.3)
Total Refrigerator Capacity — cu. ft. (cu. m)	18.5 (0.52)	18.5 (0.52)	21.9 (0.62)	21.9 (0.62)
Fresh Food Capacity — cu. ft. (cu. m)	12.9 (0.37)	12.9 (0.37)	15.6 (0.44)	15.6 (0.44)
Frozen Food Capacity — cu. ft. (cu. m)	5.6 (0.15)	5.6 (0.15)	6.3 (0.18)	6.3 (0.18)
A — Cabinet Height With Hinge Cover — in. (cm)	66 ¾ (169.9)	66 ¾ (169.9)	69 ¼ (177.5)	69 ¼ (177.5)
B — Cabinet Height Without Hinge — in. (cm)	65 ¾ (166.7)	65 ¾ (166.7)	68 ¾ (174.3)	68 ¾ (174.3)
C — Cabinet Depth With Door Handle — in. (cm)	33 (83.8)	33 (83.8)	33 (83.8)	33 (83.8)
D — Cabinet Depth Without Door — in. (cm)	30 ¾ (78.1)	30 ¾ (78.1)	30 ¾ (78.1)	30 ¾ (78.1)
E — Cabinet Depth Without Door Handle — in. (cm)	28 (71.1)	28 (71.1)	28 (71.1)	28 (71.1)
F — Cabinet Width — in. (cm)	29 ¾ (75.2)	29 ¾ (75.2)	32 ¾ (82.9)	32 ¾ (82.9)
G — Depth With Door @ 90° — in. (cm)	59 (149.9)	59 (149.9)	62 ½ (173)	62 ½ (173)
H — Water Line Location, Facing Back Of Unit & Distance From Left Side — in. (cm)	2 (5.1)	2 (5.1)	2 (5.1)	2 (5.1)
I — Water Line Location, From Bottom — in. (cm)	6 (15.2)	6 (15.2)	6 (15.2)	6 (15.2)
J — Power Cord Location, Facing Back Of Unit & Distance From Left Side — in. (cm)	14 ¼ (36.2)	14 ¼ (36.2)	14 ¼ (36.2)	14 ¼ (36.2)
K — Power Cord Location, From Bottom — in. (cm)	9 ¼ (23.5)	9 ¼ (23.5)	9 ¼ (23.5)	9 ¼ (23.5)
L — Side Wall Clearance For 90° Door Opening — in. (cm)	¼ (0.6)	¼ (0.6)	¼ (0.6)	¼ (0.6)
Approximate Shipping Weight — lbs. (kg)	259 (117.5)	259 (117.5)	292 (132.4)	292 (132.4)





AMANA® EASY REACH™ PLUS REFRIGERATORS

Table with columns for Models (ABB1924DE, ABB2224DE, ABB2524DE, ABB1927DE, ABB2227DE, ABB2527DE) and rows for Colors, Fresh Food Interior, Freezer Interior, General Features, and Capacities And Unit Dimensions.

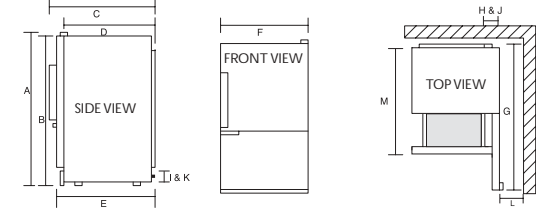


Amana's ongoing commitment to quality products may mean a change in product specifications without notice.



AMANA® EASY REACH™ PLUS REFRIGERATORS

Table with columns for Models (ABD2233DE, ABD2533DE, French Door AFD2535DE) and rows for Colors, Fresh Food Interior, Freezer Interior, General Features, and Capacities And Unit Dimensions.

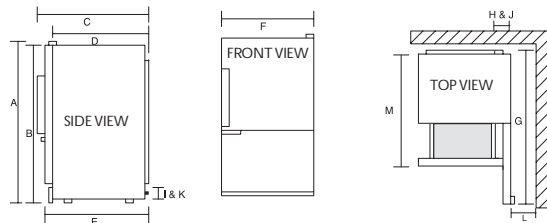


Amana's ongoing commitment to quality products may mean a change in product specifications without notice.



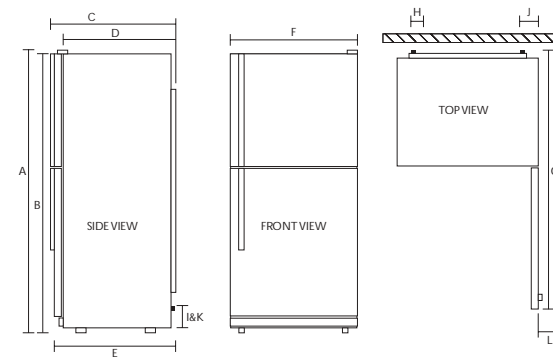
AMANA® EASY REACH™ PLUS CABINET-DEPTH REFRIGERATORS

MODELS	ABC2037DE	ABC2037DT	ABC2037DP
Style	Freestanding	Built-In Look With Trim And Full-Length Handles	Built-In Look With Trim And Full-Length Handles
Colors			
White	•	•	•
Bisque	•	•	•
Black	•	•	•
Black Cabinet With Stainless Steel Door	•	•	Stainless Panels
Door Trim And Handles — Factory-Installed	With Stainless-Style Designer Bar Handles	White On White/Black On Black/Stainless On Black	Stainless Style
Door Panels		Requires Custom Panels	Stainless Steel — Factory-Installed
ENERGY STAR®	•	•	•
Fresh Food Interior			
Covered Lights	2	2	2
EasyFill™ Internal Filtered Water Dispenser	•	•	•
PuriClean® II Retractable Water/Ice Filter	•	•	•
Electronic Temp-Assure™ Freshness Design	•	•	•
Adjustable Spillsaver™ Glass Shelves (Total)	4 Half-Width	4 Half-Width	4 Half-Width
EasyGlide™ Shelves	4	4	4
Temperature-Controlled Beverage Chiller™ Compartment	•	•	•
Temperature-Controlled Chef's Pantry™ With Self-Opening Lid	•	•	•
Humidity-Controlled Garden Fresh™ Sealed Crisper Drawers (2)	•	•	•
Dairy Center	•	•	•
Gallon Door Storage	•	•	•
Adjustable Clear Door Buckets	•	•	•
Bucket Grip Pads	•	•	•
Bottle Caddy	•	•	•
FreshNest™ Covered Egg Storage	•	•	•
Freezer Interior			
Covered Light	•	•	•
EasyFreezer™ Pull-Out Drawer	•	•	•
With EasyClose™ Drawer Track System	•	•	•
Slide-Out Upper Basket	•	•	•
Glide-Out Lower Basket With QuickSplit™ Organizer	•	•	•
Icemaker And Ice Bucket	Factory-Installed	Factory-Installed	Factory-Installed
General Features			
SoftSound™ II Quiet Package	•	•	•
EasyView™ Lighting Package	•	•	•
Consumer-Reversible Door Swing	•	•	•
Capacities And Unit Dimensions			
Kitchen Cabinet Opening — in. (cm)	36 (91.4)	36 (91.4)	36 (91.4)
Top/Back Air Clearance — in. (cm)	0 (0)/½ (1.3)	0 (0)/½ (1.3)	0 (0)/½ (1.3)
Total Refrigerator Capacity — cu. ft. (cu. m)	20.3 (0.57)	20.3 (0.57)	20.3 (0.57)
Fresh Food Capacity — cu. ft. (cu. m)	14.62 (0.41)	14.62 (0.41)	14.62 (0.41)
Frozen Food Capacity — cu. ft. (cu. m)	5.66 (0.16)	5.66 (0.16)	5.66 (0.16)
A — Cabinet Height With Hinge Cover — in. (cm)	69 ¼ (177.5)	69 ¼ (177.5)	69 ¼ (177.5)
B — Cabinet Height Without Hinge — in. (cm)	68 ¾ (174.3)	68 ¾ (174.3)	68 ¾ (174.3)
C — Cabinet Depth With Door Handle — in. (cm)	29 (73.7)	28 (71.1)	28 (71.1)
D — Cabinet Depth Without Door — in. (cm)	24 (60.9)	24 (60.9)	24 (60.9)
E — Cabinet Depth Without Door Handle — in. (cm)	26 ¾ (67.9)	26 ¾ (67.9)	26 ¾ (67.9)
F — Cabinet Width — in. (cm)	35 ¾ (90.5)	35 ¾ (90.5)	35 ¾ (90.5)
G — Depth With Door @ 90° — in. (cm)	61 ¼ (155.6)	61 ¼ (155.6)	61 ¼ (155.6)
H — Water Line Location, Facing Back Of Unit & Distance From Left Side — in. (cm)	8 (20.3)	8 (20.3)	8 (20.3)
I — Water Line Location, From Bottom — in. (cm)	6 (15.2)	6 (15.2)	6 (15.2)
J — Power Cord Location, Facing Back Of Unit & Distance From Left Side — in. (cm)	20 ¼ (51.4)	20 ¼ (51.4)	20 ¼ (51.4)
K — Power Cord Location, From Bottom — in. (cm)	9 ¼ (23.5)	9 ¼ (23.5)	9 ¼ (23.5)
L — Side Wall Clearance For 90° Door Opening — in. (cm)	¾ (0.2)	¾ (0.2)	¾ (0.2)
Approximate Shipping Weight — lbs. (kg)	327 (148.3)	327 (148.3)	327 (148.3)



AMANA® TOP-FREEZER REFRIGERATORS

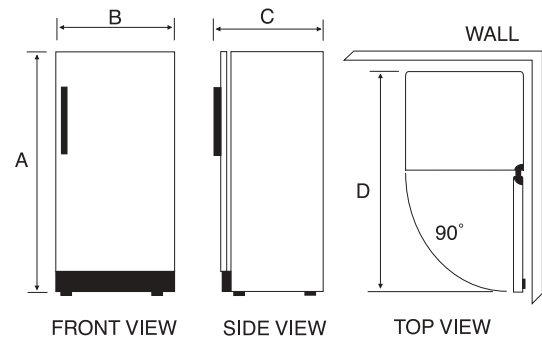
MODELS	ATB1504AR	ATB1915HR	ATB2115HR	ATB1935HR	ATB2135HR
Colors					
White	•	•	•	•	•
Bisque	•	•	•	•	•
Stainless Steel	•	•	•	•	•
Fresh Food Interior					
Light(s)	1	1	1	2	2
Temp-Assure® Control System				•	•
Adjustable Spillsaver™ Glass Shelves				4	4
Glass Crisper Shelf	•	•	•	•	•
Humidity-Controlled Garden Fresh™ Crisper Drawers	2	2	2	2	2
Dairy Center	•	•	•	•	•
Adjustable Gallon Door Buckets		4	4	4	4
Gallon Door Buckets	2	4	4	4	4
Freezer Interior					
Covered Light				1	1
Wire Shelf	1	1	1	1	1
Optional Icemaker And Ice Bucket	UK11500AXX	UK11500AXX	UK11500AXX	UK11500AXX	UK11500AXX
FlexAction Ice Cube Trays	•	•	•	•	•
Capacities And Unit Dimensions					
Kitchen Cabinet Opening — in. (cm)	28 (71.1)	30 (76.2)	33 (83.8)	30 (76.2)	33 (83.3)
Top/Back Air Clearance — in. (cm)	½ (1.3)	½ (1.3)	½ (1.3)	½ (1.3)	½ (1.3)
Total Refrigerator Capacity — cu. ft. (cu. m)	14.99 (42)	18.5 (52)	20.8 (59)	19 (54)	20.8 (59)
Fresh Food Capacity — cu. ft. (cu. m)	10.75 (30)	13.1 (37)	14.7 (42)	13.1 (37)	14.7 (42)
Frozen Food Capacity — cu. ft. (cu. m)	4.24 (12)	5.4 (15)	6.1 (17)	5.9 (17)	6.1 (18)
A — Cabinet Height With Hinge Cover — in. (cm)	61.8 (157)	67 ¼ (170.8)	67 ¼ (170.8)	67 ¼ (170.8)	67 ¼ (170.8)
B — Cabinet Height Without Hinge — in. (cm)	61.1 (155.2)	66 (167.6)	66 (167.6)	66 (167.6)	66 (167.6)
C — Cabinet Depth With Door Handle — in. (cm)	28.4 (72.2)	31 ¼ (79.1)	31 ¼ (79.1)	31 ¼ (79.1)	31 ¼ (79.1)
D — Cabinet Depth Without Door — in. (cm)	25.2 (64)	26 ¾ (66.7)	26 ¾ (66.7)	26 ¾ (66.7)	26 ¾ (66.7)
E — Cabinet Depth Without Door Handle — in. (cm)	28 ¾ (73.3)	28 ¾ (73.3)	28 ¾ (73.3)	28 ¾ (73.3)	28 ¾ (73.3)
F — Cabinet Width — in. (cm)	28 (71.1)	29 ¾ (75.2)	32 ¾ (82.9)	29 ¾ (75.2)	32 ¾ (82.9)
G — Depth With Door At 90° — in. (cm)	54.4 (138)	57 ¼ (145.1)	60 ¾ (152.7)	57 ¼ (145.1)	60 ¾ (152.7)
H — Water Line Location, Facing Back Of Unit & Distance From Left Side — in. (cm)	2 (5.1)	1 ½ (3.8)	1 ½ (3.8)	1 ½ (3.8)	1 ½ (3.8)
I — Water Line Location, From Bottom — in. (cm)	6 (15.2)	5 (12.7)	5 (12.7)	5 (12.7)	5 (12.7)
J — Power Cord Location, Facing Back Of Unit & Distance From Left Side — in. (cm)	2 (5)	1.5 (3.8)	1.5 (3.8)	1.5 (3.8)	1.5 (3.8)
K — Power Cord Location, From Bottom — in. (cm)	11 (28)	12 (30.8)	12 (30.8)	12 (30.8)	12 (30.8)
L — Side Wall Clearance For 90° Door Opening — in. (cm)	1 (2.54)	3 (7.6)	3 (7.6)	3 (7.6)	3 (7.6)
Approximate Shipping Weight — lbs. (kg)	208 (94.3)	223 (101.2)	235 (106.6)	223 (101.2)	235 (106.6)



Amana's ongoing commitment to quality products may mean a change in product specifications without notice.

AMANA® DEEPFREEZE® UPRIGHT FREEZERS

MODELS	AFU1202BW	AQU1525AEW	AFU1705BW	AFU2005BW	AFU1567BW	AFU1767BW	AFU2067BW
Color							
White	•	•	•	•	•	•	•
ENERGY STAR®		•					
Deepfreeze® Freezer Interior							
Frozen Food Capacity — cu. ft. (cu. m)	11.8 (0.33)	15.2 (0.43)	16.8 (0.47)	19.6 (0.55)	15.2 (0.43)	16.8 (0.47)	19.6 (0.55)
Defrost Type	Manual	Manual	Manual	Manual	Free-O-Frost™	Free-O-Frost™	Free-O-Frost™
Adjustable Temperature Control	•	•	•	•	•	•	•
Cabinet Shelves	3	3	3	4	3	4	4
Door Shelves	5	4	5	6	4	5	6
Power "ON" Light					•	•	•
Interior Light		•	•	•	•	•	•
Lock With Key		•	•	•	•	•	•
Storage Gate	•	•			•		
Storage Basket			•	•	•	•	•
Fast-Freeze Settings		•	•	•	•	•	•
Temperature Alarm System							•
Defrost Drain	•	•	•	•			
Exterior Features							
Handle Type	Recessed	Recessed	Full	Full	Full	Full	Full
Flat Back					•	•	•
Seamless Interior Liner	•	•	•	•	•	•	•
Textured Cabinet	•	•	•	•	•	•	•
Square Door Style	•	•	•	•	•	•	•
Exterior Dimensions — in. (cm)							
A — Height	60 ½ (153.7)	60 (152.4)	66 ½ (168.9)	66 ½ (168.9)	60 ½ (153.7)	66 ½ (168.9)	66 ½ (168.9)
B — Width	24 (61)	28 (71.1)	30 (76.2)	33 (83.8)	30 (76.2)	30 (76.2)	33 (83.8)
C — Overall Depth	27 ½ (69.7)	28 ½ (72.4)	28 ¾ (71.9)	28 ¾ (71.9)	28 ¾ (71.9)	28 ¾ (71.9)	28 ¾ (71.9)
D — Depth With Door Open 90°	50 ½ (128.3)	56 ½ (143.5)	56 ½ (143.5)	59 ½ (151.1)	56 ½ (143.5)	56 ½ (143.5)	59 ½ (151.1)
Air Clearance — Sides And Top	3 (7.6)	3 (7.6)	3 (7.6)	3 (7.6)	3 (7.6)	3 (7.6)	3 (7.6)
Approximate Shipping Weight — lbs. (kg)	164 (74.4)	192 (87.1)	202/206 (91.6/93.4)	210 (95.3)	192 (87.1)	202/206 (91.6/93.4)	210 (95.3)
Electrical Requirements							
V/Hz	115/60	115/60	115/60	115/60	115/60	115/60	115/60
Commercial Rating				•	•	•	•

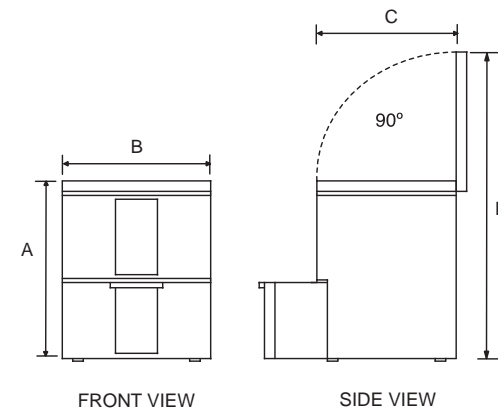


Amana's ongoing commitment to quality products may mean a change in product specifications without notice.

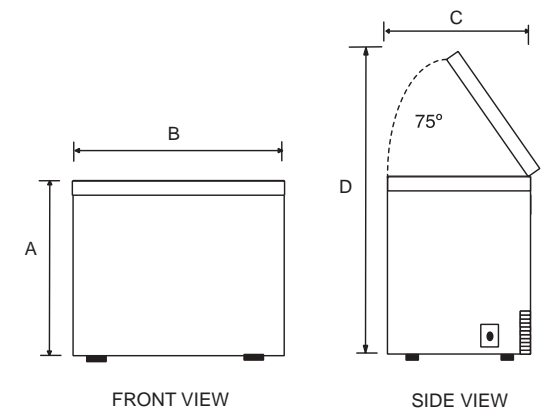
AMANA® DEEPFREEZE® CHEST FREEZERS

MODELS	AFC0507BW	AFC0503BW	AFC0703BW	AFC1005BW	AQC1526AEW	AFC2207BW
Color						
White	•	•	•	•	•	•
ENERGY STAR®					•	
Deepfreeze® Freezer Interior						
Frozen Food Capacity — cu. ft. (cu. m)	4.6 (0.13)	5.0 (0.14)	7.0 (0.20)	10.0 (0.28)	14.8 (0.42)	21.7 (0.61)
Frozen Food Storage — lbs. (kg)	145 (65.8)	150 (68.0)	210 (95.3)	315 (142.9)	410 (186.0)	545 (247.2)
Defrost Type		Manual	Manual	Manual	Manual	Manual
Easy Find™ Storage Drawer	•					
EvenFreeze™ Food Preservation System	•	•	•	•	•	•
Adjustable Temperature Control	•	•	•	•	•	•
Removable Baskets	1	1	1	2	2	4
Basket Storage Levels	1	1			1	2
Power "ON" Light	•	•	•	•		•
Interior Light					•	•
Lock With Key	•		•	•	•	•
Fast-Freeze Switch	•					
Defrost Drain		•	•	•	•	•
Hose Adapter		•			•	•
Seamless Interior Liner	•	•	•	•	•	•
Exterior Features						
Handle Type	Grip		Grip	Grip	Grip	Grip
Rollers	•					
Type Of Cabinet	Square	Square	Square	Square	Square	Square
Type Of Lid	Curved	Flat	Flat	Flat	Flat	Flat
Split-Top Design						•
Exterior Dimensions — in. (cm)						
A — Height Including Lid	33 ½ (86.0)	31 ⅞ (80.5)	35 (88.9)	35 (88.9)	35 (88.9)	35 (88.9)
B — Width	28 ½ (72.0)	29 ¾ (74.6)	31 ½ (80.0)	42 ⅞ (107.2)	46 ½ (117.2)	73 ¾ (187.7)
C — Overall Depth	26 ⅞ (67.5)	23 ⅞ (60)	24 ⅞ (61.1)	24 ⅞ (61.1)	29 ¾ (74.6)	29 ¾ (74.6)
D — Height With Lid Open 90° Or 75°	60 ½ (154.0)	55 ½ (141.0)	54 ¼ (137.8)	54 ¼ (137.8)	60 ¾ (153.4)	60 ¾ (153.4)
Air Clearance — Sides And Back	3 (7.6)	3 (7.6)	3 (7.6)	3 (7.6)	3 (7.6)	3 (7.6)
Approximate Shipping Weight — lbs. (kg)	110 (50.0)	95 (43.0)	115 (52.2)	136 (61.7)	164 (74.4)	220 (99.8)
Electrical Requirements						
V/Hz	115/60	115/60	115/60	115/60	115/60	115/60
Commercial Rating					•	•

AFC0507BW



AFC0503BW, AFC0703BW, AFC1005BW, AFC1505BW, AFC2207BW



Amana's ongoing commitment to quality products may mean a change in product specifications without notice.