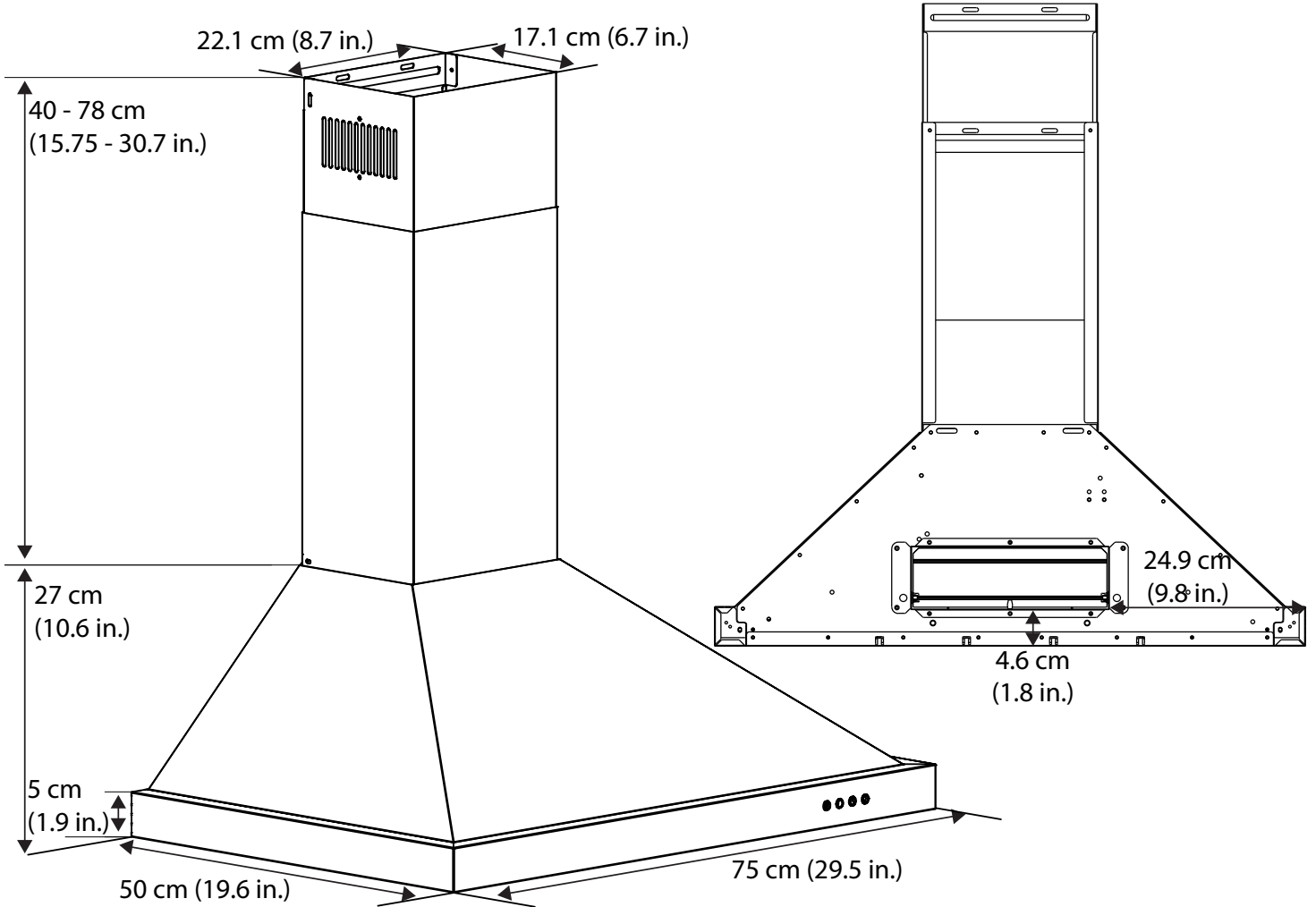


Range Hood Dimensions



Specifications

Body Design	Stainless Steel
Power Rating	120 V / 60 Hz (cETLus Certified)
Total Input Power	236 W (230 W + 2 × 2.55 W)
Motor Input Power	230 W
Amperage	1.97 A
Speed Control Levels	3 Speeds
Interference Protection	Radio Frequency Interference Protected
Motors	Single Motor
Control	Electronic button control panel
Filtration	Aluminum filter
Illumination	2 × 2.55 W LED
Fan Type	Single chamber quiet
Venting Size	Rear 3.1 × 9.8 inch (8 cm × 25 cm) rectangle