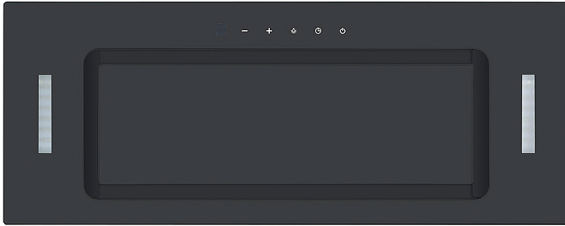




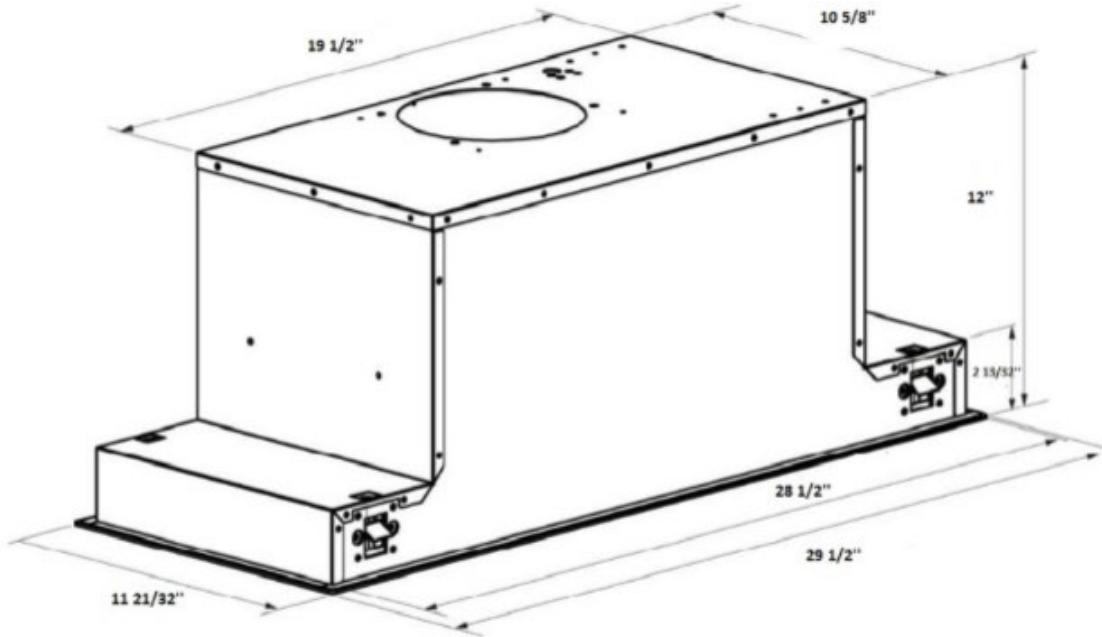
## AVD-306PSB2

30" Insert hood

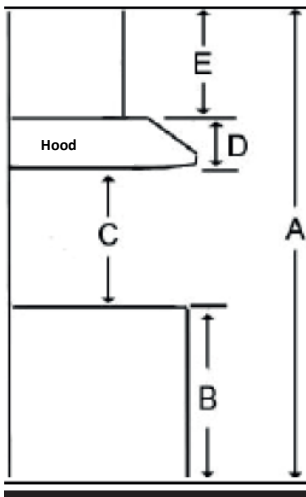


<b>Selected Model</b>	
Model number	AVD-306PSB
<b>Dimensions</b>	
Dimensions	29 1/2" (L) x 11 1/2" (P) x 12" (H)
<b>Features</b>	
Control	Soft touch with LED display
Lighting	2 LED strips, 1.5W (included)
Blower type	600 CFM, 5-speed
Filter type	1 Aluminum filter
Duct transition	6" Round (Top)
Ducting	Ducted
UPC code	0712038977000
<b>Electrical Requirements</b>	
Electrical requirements	120V/ 60Hz/ 3.7 Amps
<b>Warranty</b>	
1-year Warranty	Parts and labour

**Dimensions**



**Installation**



A	Floor to ceiling height	variable
B	Floor to counter top height (standard)	
C	Recommended height between cooking surface and bottom of the hood	
D	Hood height	
E	Cabinet height	

**Duct transition**



6" Round top

*The information contained herein is based on sources that we believe to be reliable, but is not guaranteed by us, may be incomplete and/or may change without notice.*