

AVB-366RS2  
**36" UNDER CABINET HOOD**

**AVIVA**



## CONTROLS AND FUNCTIONS

<b>Control</b>	Soft touch with LCD display
<b>Lighting</b>	2 bulbs, 3W LED
<b>Power and speed</b>	600 CFM, 3-speeds
<b>Sound level</b>	Speed 1, 0.3 sones Speed 3, 7.0 sones
<b>Filter Type</b>	3 aluminum micro hole filters and stainless steel baffle filters
<b>Duct transition</b>	6" round top 3 1/4" x 10" rear and top
<b>Power-off Delay Timer</b>	Yes
<b>Clean Filter Reminder</b>	Yes

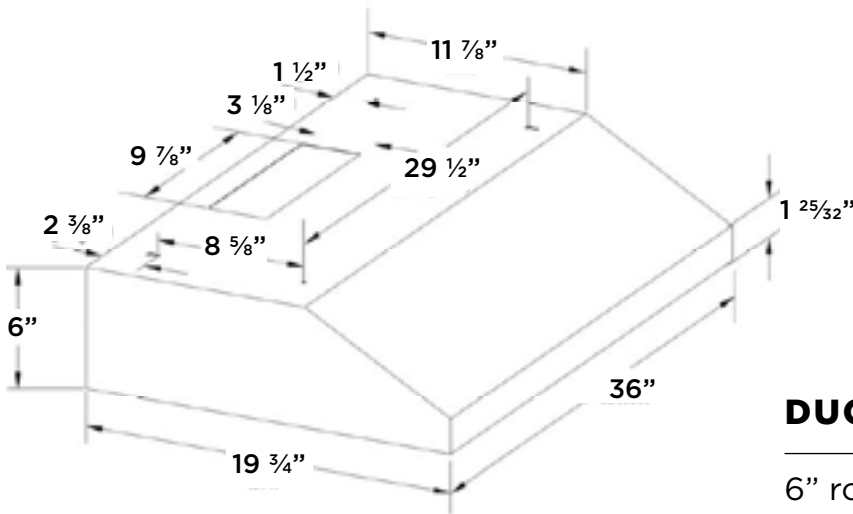
## SPECIFICATIONS AND DIMENSIONS

<b>Dimensions</b>	36" (W) x 19 3/4" (D) x 6" (H)
<b>Stainless steel grade</b>	201
<b>Electrical requirements</b>	120V / 60Hz / 2.7A
<b>Warranty</b>	1-year parts and labour
<b>UPC code</b>	628173080133

AVB-366RS2  
**36" UNDER CABINET HOOD**

**AVIVA**

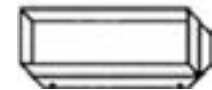
**DIMENSIONS**



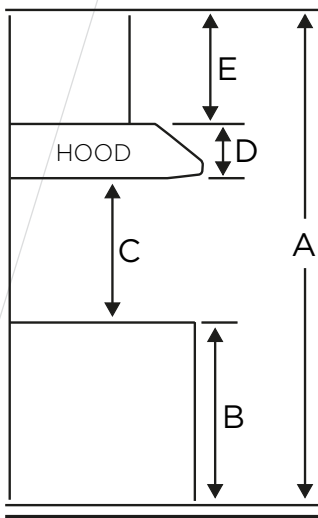
**DUCT TRANSITION**

6" round top

3 1/4" x 10" rear and top



**INSTALLATION**



A	Floor to ceiling height	VARIABLE
B	Floor to counter top height (standard)	36"
C	Recommended height between cooking surface and bottom of the hood	28" to 30"
D	Hood height	6"