

# AVH-308CS2 30" WALL MOUNT HOOD

# AVIVA



## CONTROLS AND FUNCTIONS

<b>Control</b>	Soft touch with LCD display
<b>Lighting</b>	2 bulbs, 3W LED
<b>Power and speed</b>	860 CFM, 6-speeds
<b>Sound Level</b>	Speed 1, 2.4 sones Speed 6, 6.2 sones
<b>Filter Type</b>	2 aluminium micro hole filters and stainless steel baffle filters
<b>Duct transition Chimney</b>	6" and 8" round top Included, up to 9'0" ceilings
<b>Power-off Delay Timer</b>	Yes
<b>Clean Filter Reminder</b>	Yes

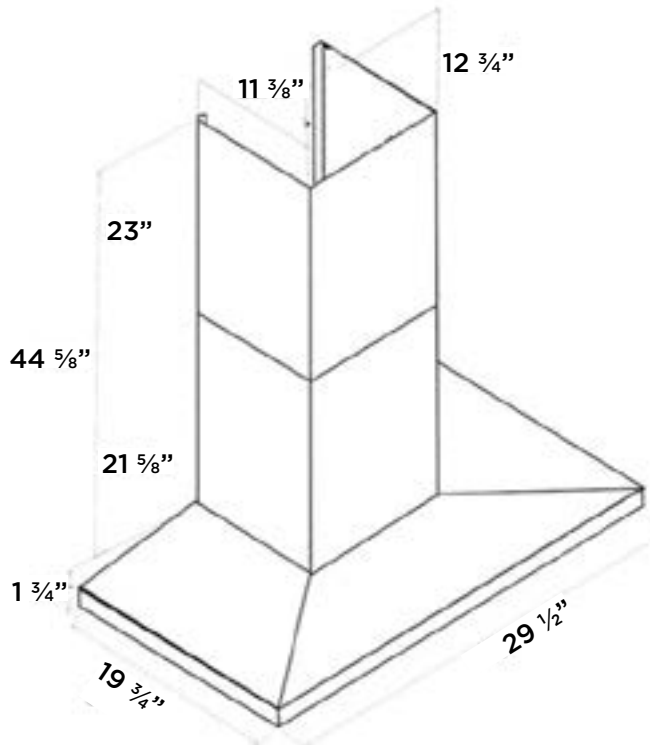
## SPECIFICATIONS AND DIMENSIONS

<b>Dimensions</b>	29 1/2" (W) x 19 3/4" (D) x 1 3/4" (H)
<b>Stainless steel grade</b>	201
<b>Electrical requirements</b>	120V / 60Hz / 2.7A
<b>Accessories (optional)</b>	AD-884S-22 (Chimney extension, 884 mm high, replaces the upper portion of the standard chimney)
<b>Warranty</b>	1-year parts and labour
<b>UPC code</b>	628173080171

# AVH-308CS2 30" WALL MOUNT HOOD

# AVIVA

## DIMENSIONS

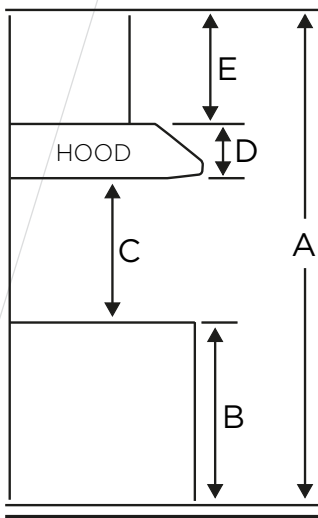


## DUCT TRANSITION

6" and 8" round top



## INSTALLATION



A	Floor to ceiling height	VARIABLE
B	Floor to counter top height (standard)	36"
C	Recommended height between cooking surface and bottom of the hood	28" to 30"
D	Hood height	1 3/4"
E	Chimney height (standard)	21 5/8" to 44 5/8"